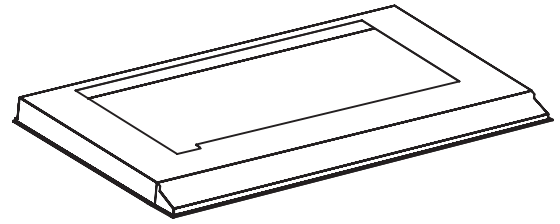


RML3336, RML3336S, RML3342, RML3342S, RML4548, RML4548S, RML4554S, RML4560 AND RML 4560S LINERS



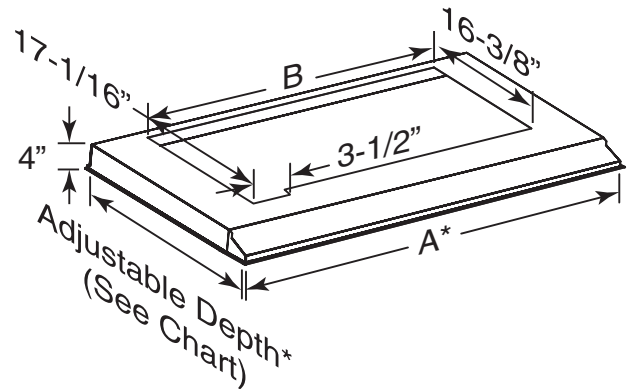
Especially designed to protect the exterior base of a custom hood. Fit RMIP inserts.

FEATURES

- Cabinet mount – custom application
- Stainless Steel Finish
- Adjustable depth to fit into cabinet openings as shown in chart (front to back)
- Fit custom hood nominal widths: 36", 42", 48", 54" or 60"
- Wipes clean easily

TO ORDER

Refer to table below to find the right liner part number for your insert and for width of the custom hood.



* Dimension does not include 3/8" wide flange.

DIMENSIONS

| Liner Model | Insert Model | Custom Hood Nominal Width | Adjustable Depth* | | Width A* | Cut-out Width B |
|-------------|--------------|---------------------------|-------------------------------|--------------------|----------|-----------------|
| | | | Fits into cabinet openings of | | | |
| | | | Without Backboard | With Backboard | | |
| RML3336 | RMIP33 | 36" | 23 1/2" to 26 1/2" | 23 1/8" to 26 1/8" | 34 3/8" | 32 1/2" |
| RML3342 | RMIP33 | 42" | 23 1/2" to 26 1/2" | 23 1/8" to 26 1/8" | 40 3/8" | 32 1/2" |
| RML4548 | RMP45 | 48" | 23 1/2" to 26 1/2" | 23 1/8" to 26 1/8" | 46 3/8" | 44 1/2" |
| RML4560 | RMIP45 | 60" | 23 1/2" to 26 1/2" | 23 1/8" to 26 1/8" | 58 3/8" | 44 1/2" |
| RML3336S | RMIP33 | 36" | 22 7/8" to 25 7/8" | 22 1/2" to 25 1/2" | 34 3/8" | 32 1/2" |
| RML3342S | RMIP33 | 42" | 22 7/8" to 25 7/8" | 22 1/2" to 25 1/2" | 40 3/8" | 32 1/2" |
| RML4548S | RMIP45 | 48" | 22 7/8" to 25 7/8" | 22 1/2" to 25 1/2" | 46 3/8" | 44 1/2" |
| RML4554S | RMIP45 | 54" | 22 7/8" to 25 7/8" | 22 1/2" to 25 1/2" | 52 3/8" | 44 1/2" |
| RML4560S | RMIP45 | 60" | 22 7/8" to 25 7/8" | 22 1/2" to 25 1/2" | 58 3/8" | 44 1/2" |

The INSIDE DEPTH shown in the table above assumes a minimum cabinet backboard thickness of 3/8".

Broan-NuTone LLC, 926 West State Street, Hartford, WI 53027 (1-800-637-1453)

NuTone, Inc., 4820 Red Bank Road, Cincinnati, OH 45227 (1-800-543-8687)

Broan-NuTone Canada, Inc., 1140 Tristar Drive, Mississauga, Ontario, L5T 1H9 (1-888-882-7626)

| REFERENCE | QTY. | REMARKS | Project |
|-----------|------|---------|--|
| | | | Location |
| | | | Architect |
| | | | Engineer |
| | | | Contractor |
| | | | Submitted by Date |