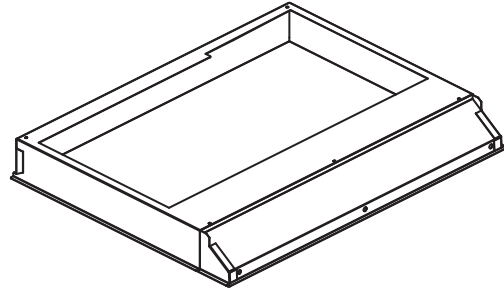


# L3336D AND L3348D LINERS



Especially designed to protect the exterior base of an outdoor custom hood. Fit PIK33D insert.

**FEATURES**

- Cabinet mount – custom application
- Corrosion resistant 316 Stainless Steel Finish
- Adjustable depth to fit into cabinet openings as shown on chart (front to back)
- Fit custom hood nominal widths: 36" or 48"
- Wipes clean easily

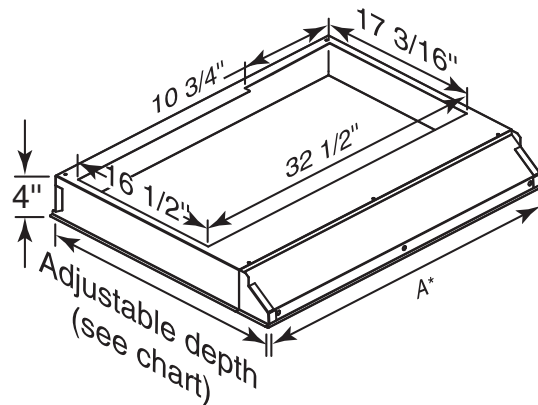
**TO ORDER**

Refer to table below to find the right liner part number for the width of your custom hood.

**DIMENSIONS**

Liner Model	Custom Hood Nominal Width	Width A	Adjustable Depth - Fits into cabinet openings of	
			Without Backboard	With Backboard
L3336D	36"	34 3/8"	23 1/2" to 26 1/2"	23 1/8" to 26 1/8"
L3348D	48"	46 3/8"	23 1/2" to 26 1/2"	23 1/8" to 26 1/8"

The adjustable depth shown in the table above assumes a minimum cabinet backboard thickness of 3/8".



\* Dimension does not include 3/8" wide flanges.

BEST BY BROAN P.O. BOX 140 HARTFORD, WISCONSIN 53027

REFERENCE	QTY.	REMARKS	Project
			Location
			Architect
			Engineer
			Contractor
			Submitted by Date