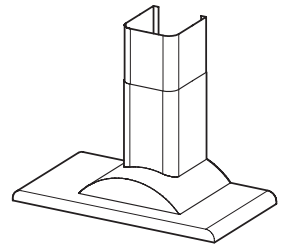


KEX7788 SERIES RANGE HOODS



This contemporary Eurodesign range hood is dramatically simple, and simply dramatic. And its ability defies its appearance.

FEATURES

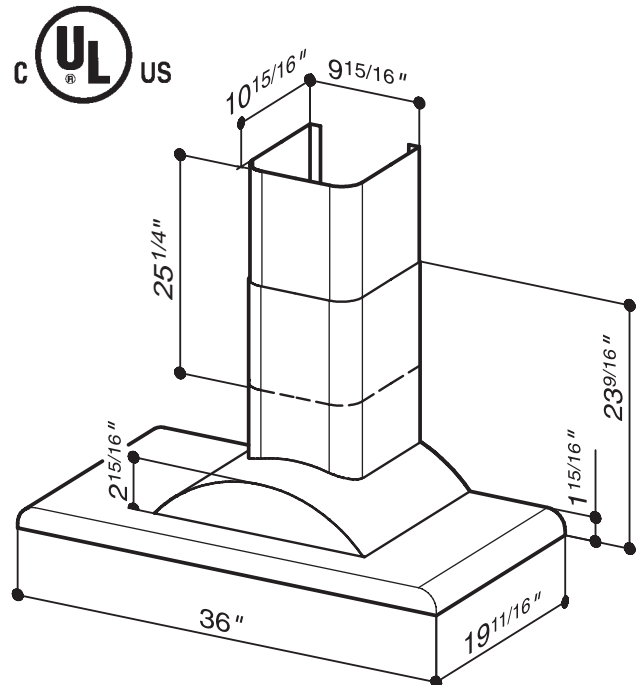
- Italian design
- Wall mount
- Finish: 304 Stainless Steel #4 Brushed
- Width: 36"
- Telescopic flue accommodates 8' to 9' ceilings
- 8" round duct connector/backdraft damper
- Halogen lighting (2 x 20 watt, Type JC 12V 20W G4 Base - bulbs included) with multilevels from bright cooktop illumination to a low nighttime setting
- Advanced, electronic push-button controls feature delay shutoff
- Exterior mounted blower available in either 600, 900, 1200, or 1500 cfm
- Four-speed motor controls
- Delay timer control automatically shuts off range hood after ten minutes
- Special control indicates when it's time to clean the filter
- Dishwasher-safe filter features a quick-release latch and decorative cover plate
- Heat Sentry™ - automatically turns blower to high speed when excess cooking heat is detected

OPTIONS

- Replacement grease filters available (Part No. SB08087131)
- Flue extension for 10' ceiling (39" length) (Model FEXTK7788SS)
- Interior blower (K7788 Series) available, providing 440 cfm exhaust
- 8" to 10" transition (Model 414)

SPECIFICATIONS

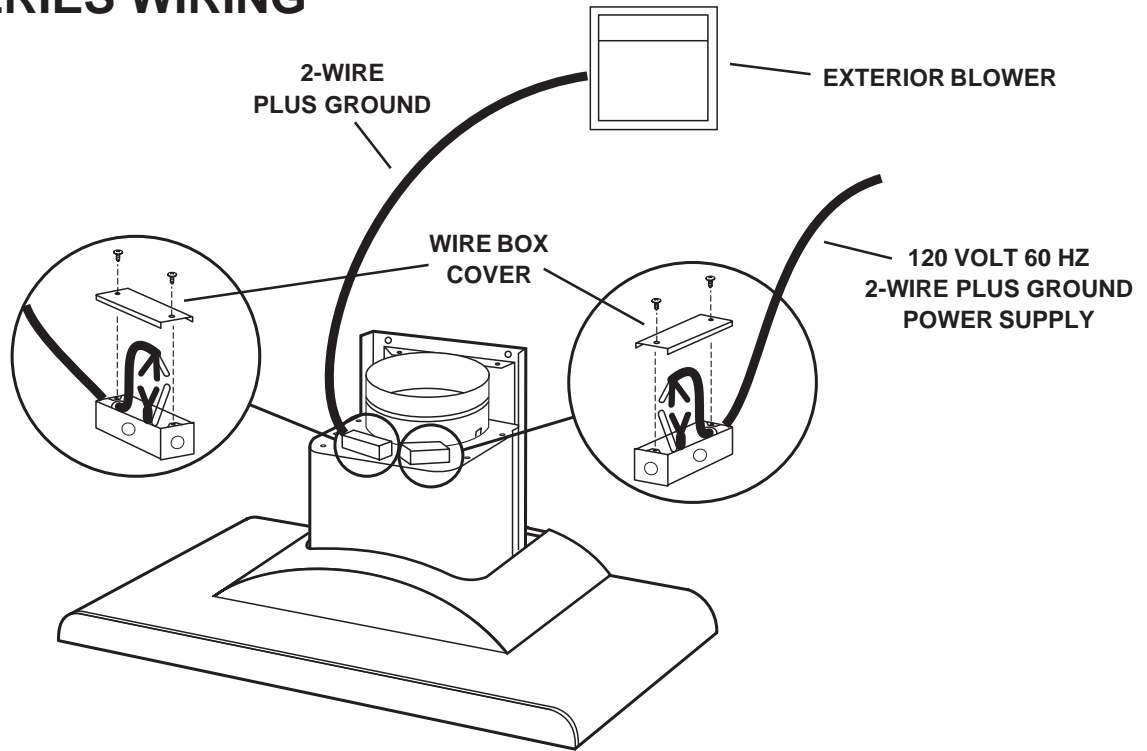
WITH BLOWER MODEL	VOLTS	AMPS	CFM	DUCT
EB6	120	0.43	600	8" round at hood
EB9	120	(lights only)	900	
EB12	120	6.0 max.	1200	10" round at exterior blower
EB15	120	(blower)	1500	



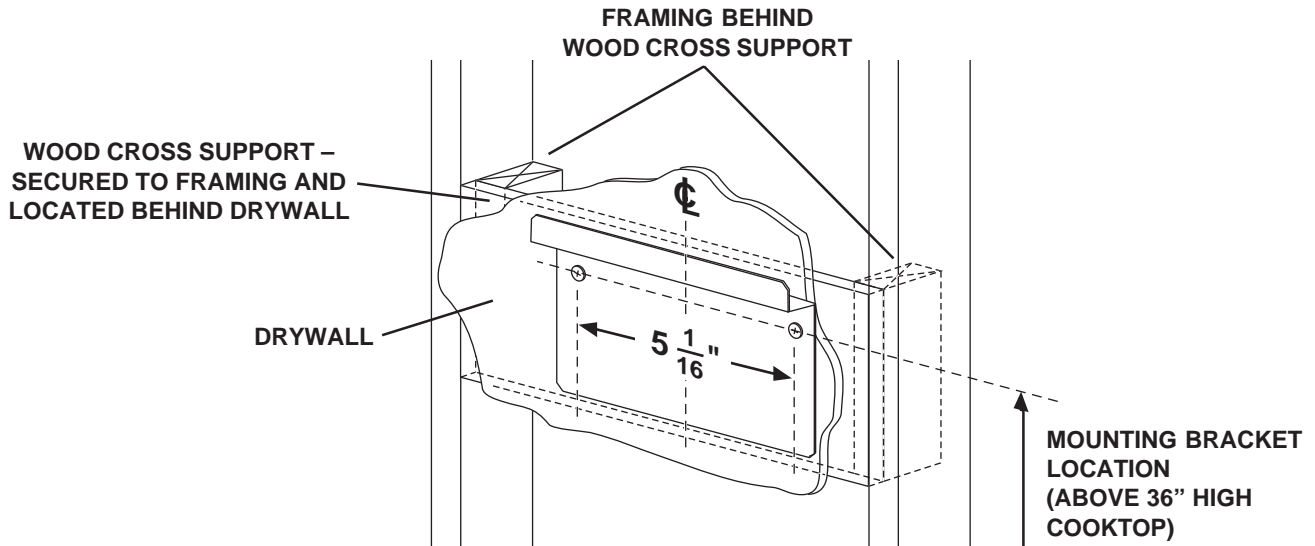
BEST BY BROAN P.O. BOX 140 HARTFORD, WISCONSIN 53027

REFERENCE	QTY.	REMARKS	Project
			Location
			Architect
			Engineer
			Contractor
			Submitted by
			Date

KEX7788 SERIES WIRING



KEX7788 SERIES MOUNTING



CEILING HEIGHT	MOUNTING DISTANCE ABOVE 36" HIGH COOKTOP (SEE NOTE BELOW)						
	24"	25"	26"	27"	28"	29"	30"
8 FEET	37-7/8"	38-7/8"	39-7/8"	40-7/8"	41-7/8"	42-7/8"	
9 FEET		38-7/8"	39-7/8"	40-7/8"	41-7/8"	42-7/8"	43-7/8"
10 FEET WITH FEXTK7788	37-7/8"	38-7/8"	39-7/8"	40-7/8"	41-7/8"	42-7/8"	43-7/8"

NOTE: Minimum hood distance above cooktop must not be less than 24".
 A maximum of 30" above the cooktop is highly recommended for best capture of cooking impurities.
 Distances over 30" above the cooktop are at the installer's and user's discretion - providing that ceiling height and flue length permit.



BEST BY BROAN P.O. BOX 140 HARTFORD, WISCONSIN 53027