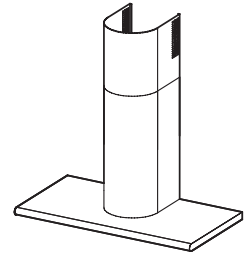


K8087 SERIES RANGE HOODS



With flowing lines that appear to be sculpted from a single block of stainless steel, this strong but graceful hood creates a striking focal point in any kitchen.

FEATURES

- Italian design
- Wall mount
- Finish: 304 Stainless Steel #4 Brushed
- Widths: 30" & 36"
- Ducted/non-ducted telescopic flue accommodates 8' to 9' ceilings
- 6" round duct connector/backdraft damper
- Halogen lighting (2 x 20 watt, Type JC 12V 20W G4 Base - bulbs included) with multilevels from bright cooktop illumination to a low nighttime setting
- Advanced, electronic push-button controls feature delay shutoff
- Quiet, 4-speed centrifugal blower with high-efficiency motor produces 450 cfm of exhaust
- Delay timer control automatically shuts off range hood after ten minutes
- Special control indicates when it's time to clean the filter
- Can be ducted to the outside or non-ducted for indoor recirculation (purchase recirculation kit separately)
- Dishwasher-safe filter features a quick-release latch and decorative cover plate
- Heat Sentry™ - automatically turns blower to high speed when excess cooking heat is detected

OPTIONS

- Replacement grease filters available (Part No. SB08087169)
- Non-ducted recirculation kit (Model NDK7780)
- Flue extension for 10' ceiling (39-3/8" long) (for ducted applications only) (Model FEXTK8087SS)
- Replacement charcoal filters available (Model FILTERSQUARE)
- Exterior blower (KEX8087 Series) available, providing 600, 900, 1200, or 1500 cfm exhaust

SPECIFICATIONS

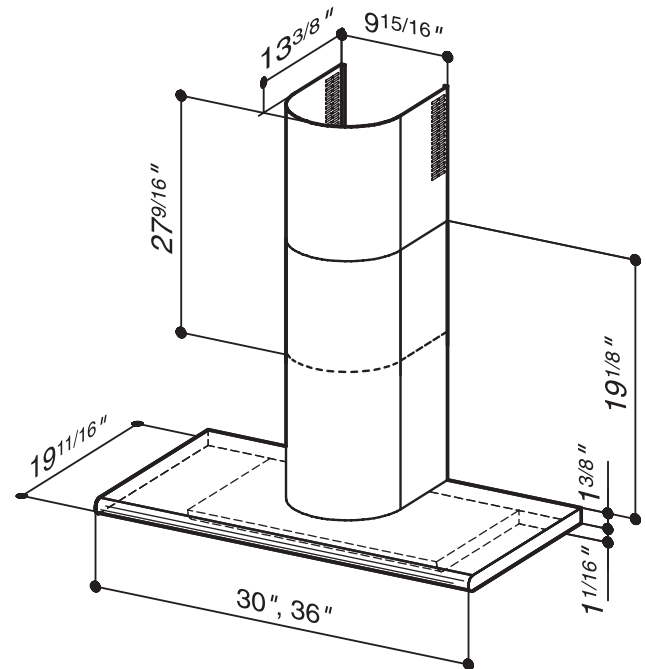
VOLTS	AMPS	CFM	SONES	DUCT
120	3.13	450	9.0	6" round



HVI-2100 CERTIFIED RATINGS comply with new testing technologies and procedures prescribed by the Home Ventilating Institute, for off-the-shelf products, as they are available to consumers. Product performance is rated at 0.1 in. static pressure, based



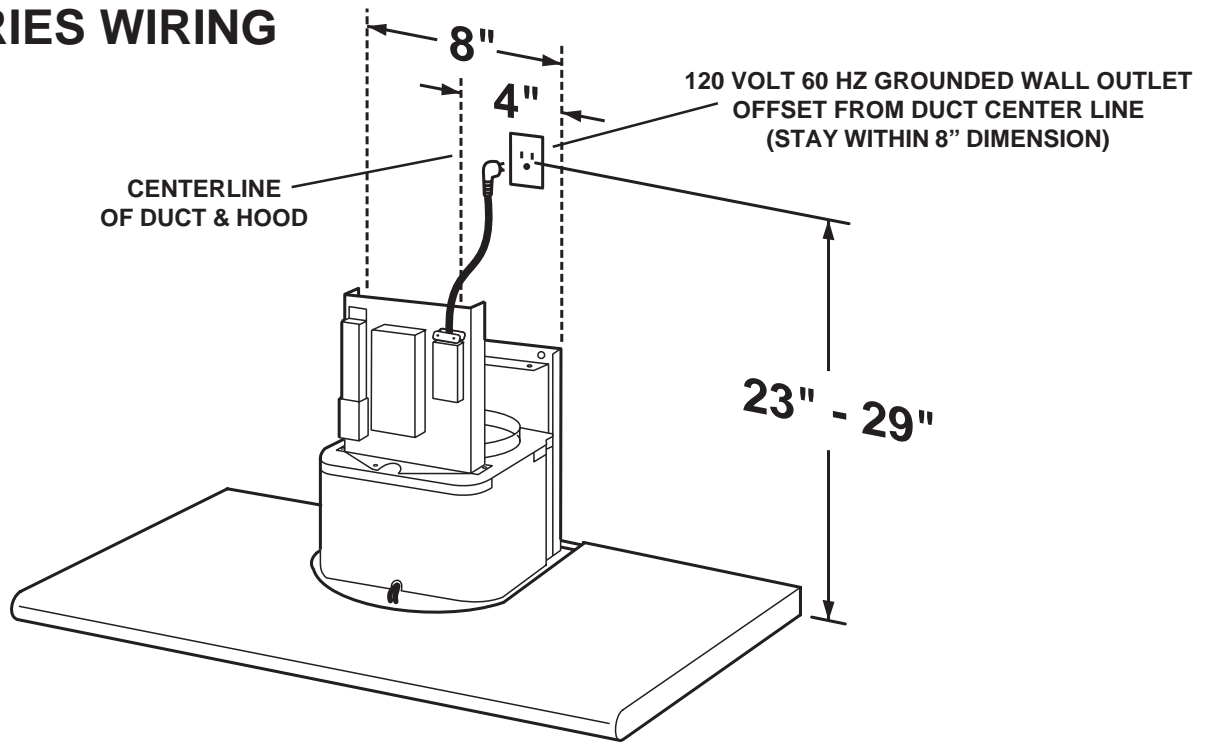
on tests conducted in AMCA's state-of-the-art test laboratory, Sones are a measure of humanly-perceived loudness, based on laboratory measurements.



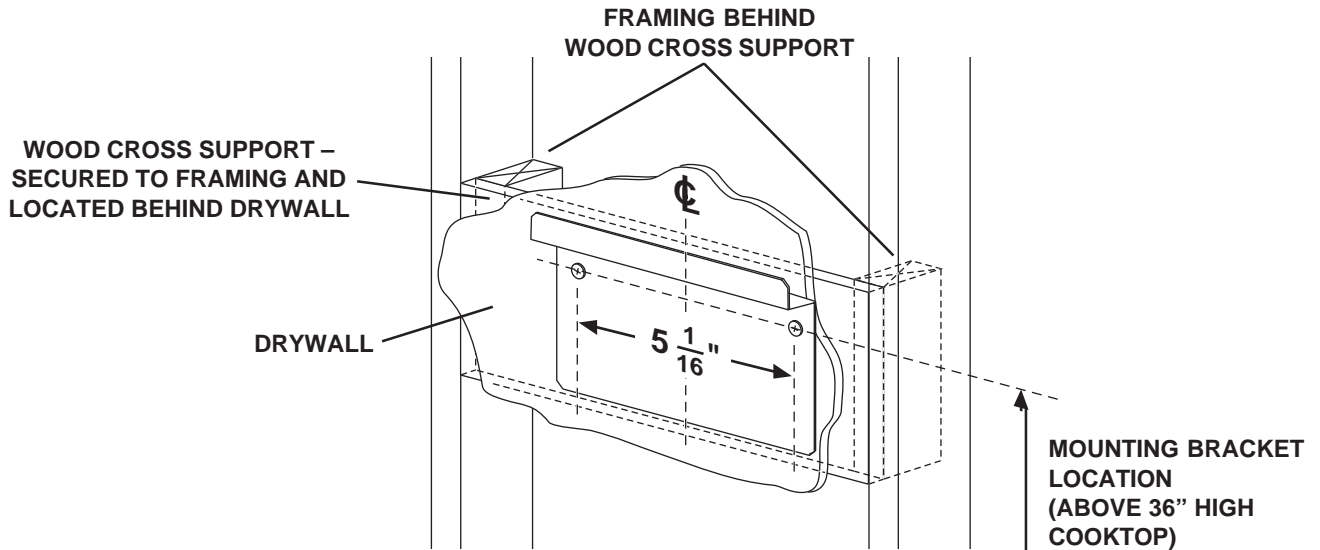
BEST BY BROAN P.O. BOX 140 HARTFORD, WISCONSIN 53027

REFERENCE	QTY.	REMARKS	Project	
			Location	
			Architect	
			Engineer	
			Contractor	
			Submitted by	Date

K8087 SERIES WIRING



K8087 SERIES MOUNTING



CEILING HEIGHT	DUCT METHOD	MOUNTING DISTANCE ABOVE 36" HIGH COOKTOP (SEE NOTE BELOW)						
		24"	25"	26"	27"	28"	29"	30"
8 FEET	DUCTED OR NONDUCTED	36-3/4"	37-3/4"	38-3/4"	39-3/4"	40-3/4"	41-3/4"	
9 FEET	DUCTED OR NONDUCTED		37-3/4"	38-3/4"	39-3/4"	40-3/4"	41-3/4"	42-3/4"
10 FEET	DUCTED WITH FEXTK8087	36-3/4"	37-3/4"	38-3/4"	39-3/4"	40-3/4"	41-3/4"	42-3/4"

NOTE: Minimum hood distance above cooktop must not be less than 24".

A maximum of 30" above the cooktop is highly recommended for best capture of cooking impurities.

Distances over 30" above the cooktop are at the installer's and user's discretion - providing that ceiling height and flue length permit.



BEST BY BROAN P.O. BOX 140 HARTFORD, WISCONSIN 53027