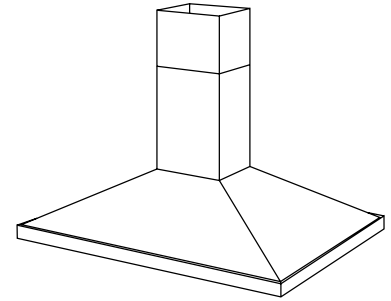


IEX42 SERIES RANGE HOODS



For use with external blowers.

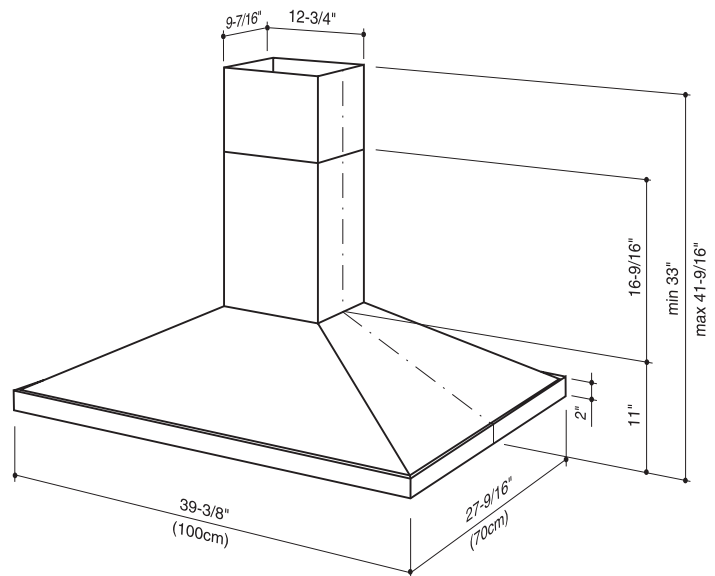
Controls unobtrusively mounted out of sight; clean exterior surface accentuates the seamless look of this classic angular design.

FEATURES

- Italian design
- Island ceiling mount
- Finish: 304 Stainless Steel #4 Brushed
- Sizes: 70cm x 100cm (27-9/16" x 39-3/8")
- Telescopic flue accommodates 8' to 9' ceilings
- 8" round duct connector/backdraft damper
- Halogen lighting (4 x 20 watt, Type MR16 - bulb included) provides bright cooktop illumination
- 0.86 Amps - Hood lighting only
- Slide controls: on-off, variable speed
- External mounted blowers available from 280 CFM to 1500 CFM
- Dishwasher-safe filter features a quick-release latch and decorative cover plate
- Heat Sentry™ - automatically turns blower to high speed when excess cooking heat is detected

OPTIONS

- 8" to 10" transition (Model 414)
- Flue extension for 10' ceiling (Model FEXTIS42)
- Accent Trim (Model FTIS42: Stainless Steel, Chrome, Polished Brass)
- Replacement grease filters available
- Replacement bulb (Part No. SB02300668)
- Internal blower version available (IS42)



Mount range hood so bottom of hood is 24" minimum above cooking surface.



BEST BY BROAN P.O. BOX 140 HARTFORD, WISCONSIN 53027

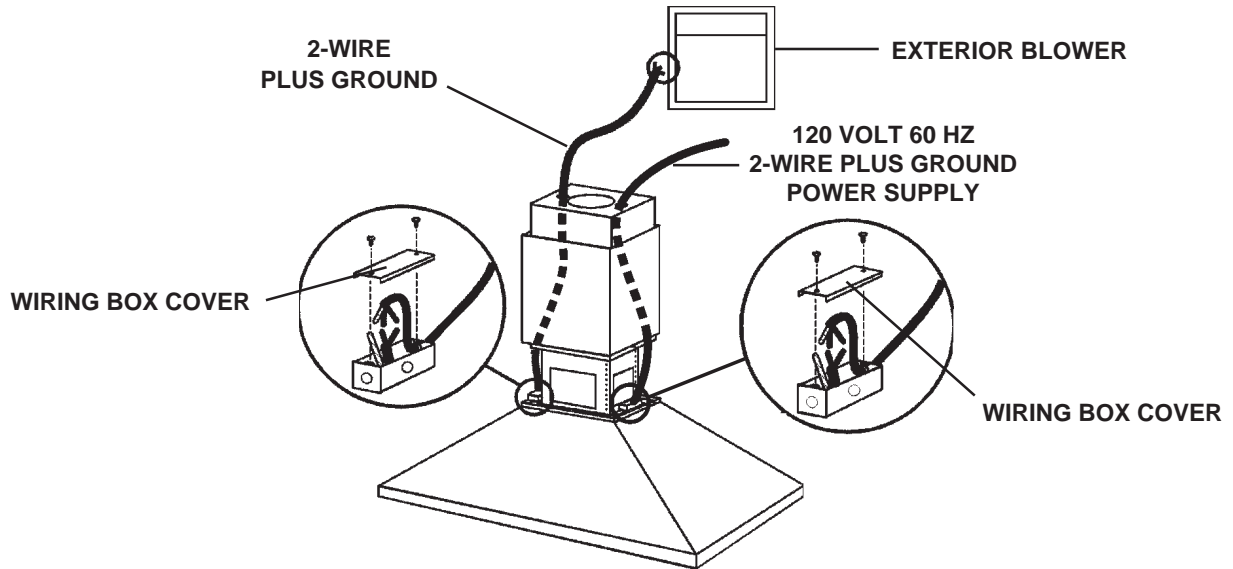
REFERENCE	QTY.	REMARKS	Project
			Location
			Architect
			Engineer
			Contractor
			Submitted by
			Date

BLOWER SPECIFICATIONS (purchase blower separately)

	IN-LINE BLOWERS				EXTERNAL BLOWERS			
MODEL	ILB3	ILB6	ILB9	ILB11	EB6	EB9	EB12	EB15
VOLTS	120	120	120	120	120	120	120	120
AMPS	2.6	2.9	3.0	3.0	2.3	5.7	3.0	3.8
CFM	260 (H)	600 (H)	700 (H)	1000 (H)	600	900	1200	1500
CFM	280 (V)	600 (V)	800 (V)	1100 (V)				
DUCT	8" Rd.	4½" x 18½"	8" x 12"	8" x 12"	10" Rd.*	10" Rd.*	10" Rd.*	10" Rd.*

* 8" Round Duct connects to hood. 10" Round Duct connects to External Blower. Use Model 414 (8" to 10" Transition).

IEX42 SERIES WIRING



IEX42 SERIES MOUNTING

