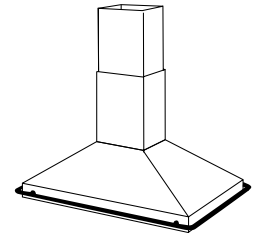


IEX222 SERIES RANGE HOODS



Exterior blower provides higher exhaust options, ranging from 600 to 1500 CFM.

Tubular, wrap-around utensil rail serves as both a stunning accent and a practical addition to this elegant angular design.

FEATURES

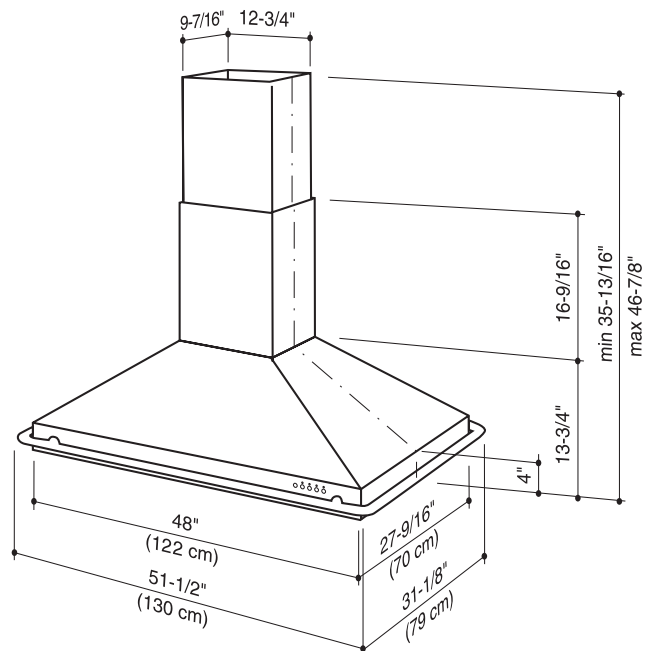
- Italian design
- Island mount
- Finish: 304 Stainless Steel #4 Brushed
- Utensil rail is chrome when ordering stainless steel finish
- Size: 70cm x 122cm (27-9/16" x 48")
- Telescopic flue accommodates 8' to 9' ceilings
- 8" round duct connector/backdraft damper
- Halogen lighting (4 x 20 watt, Type JC 12V 20W G4 Base - bulbs included) with two-level lighting provides bright cooktop illumination and a low nighttime setting
- Advanced, multispeed electronic push-button controls with individual speed indicators
- Exterior mounted blower available in either 600, 900, 1200, or 1500 CFM
- Delay timer control automatically shuts off range hood after ten minutes
- Special control indicates when it's time to clean the filter
- Dishwasher-safe filter features a quick-release latch and decorative cover plate
- Heat Sentry™ - automatically turns blower to high speed when excess cooking heat is detected

OPTIONS

- 8" to 10" transition (Model 414)
- Flue extension for 10' ceiling (Model FEXTISER222)
- Replacement grease filters available
- Replacement bulb (Part No. SB02300891)
- Interior blower version (ISER222) available, providing 1000 CFM exhaust

SPECIFICATIONS

VOLTS	AMPS	CFM	DUCT
120	0.86	600 (EB6)	8" at Range Hood 10" at Exterior Blower
	(lights only)	900 (EB9)	
	6.0 max	1200 (EB12)	
	(blower)	1500 (EB15)	

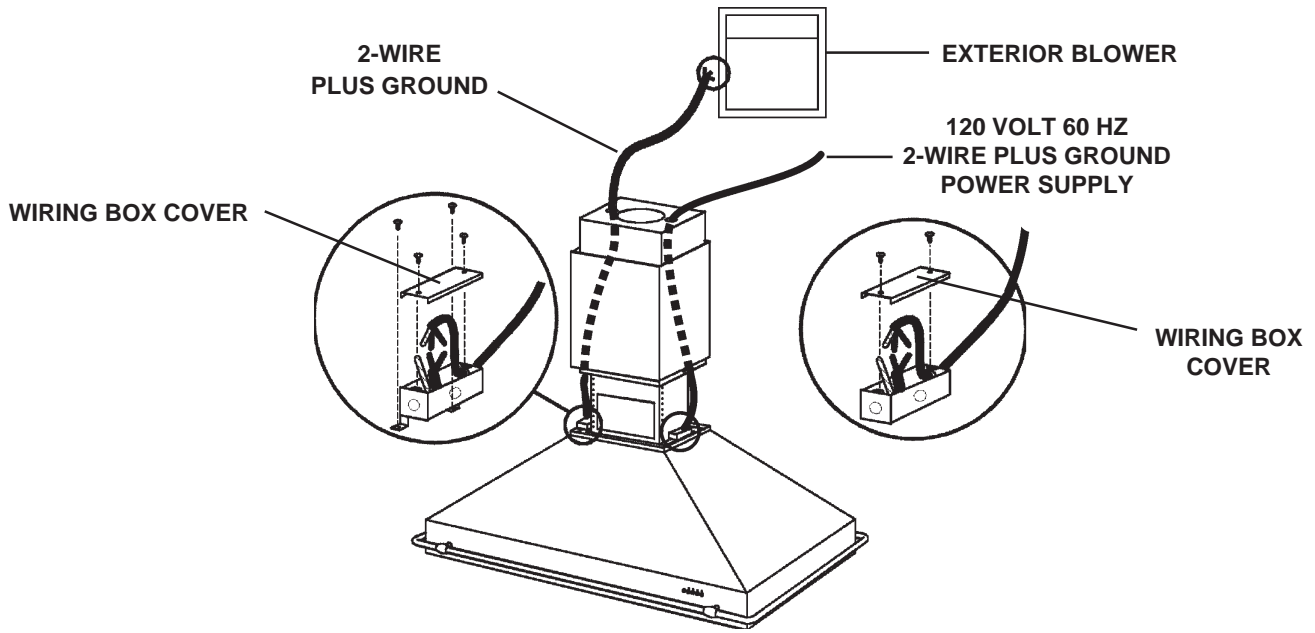


Mount range hood so bottom of hood is 24" minimum above cooking surface.

BEST BY BROAN P.O. BOX 140 HARTFORD, WISCONSIN 53027

REFERENCE	QTY.	REMARKS	Project
			Location
			Architect
			Engineer
			Contractor
			Submitted by
			Date

IEX222 SERIES WIRING



IEX222 SERIES MOUNTING

