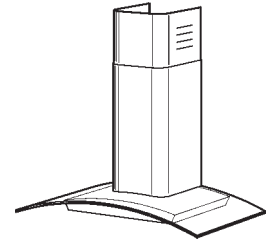


K7388 SERIES RANGE HOODS



A hand-formed, gently curving glass canopy creates a dramatic, contemporary appearance and an open, airy feel.

FEATURES

- Italian design
- Wall mount
- Finishes: 430 Stainless Steel #4 Brushed
- Width: 35-7/16"
- Ducted/non-ducted telescopic flue accommodates 8' to 9' ceilings
- 6" round duct connector/backdraft damper
- Halogen lighting (2 x 20 watt, 12V, Type JC 12V 20W G4 Base) with multilevels from bright cooktop illumination to a low nighttime setting (bulbs included)
- Advanced, electronic push-button controls feature delay shutoff
- Quiet, variable-speed centrifugal blower with high-efficiency motor produces 450 CFM of exhaust
- Four-speed motor controls include an optimum blower memory setting for everyday use
- Delay timer control automatically shuts off range hood after five minutes
- Special control indicates when it's time to clean the filter
- Can be ducted to the outside or non-ducted for indoor recirculation (purchase recirculation kit separately)
- Dishwasher-safe filter features a quick-release latch and decorative cover plate
- Heat Sentry™ - automatically turns blower to high speed when excess cooking heat is detected

OPTIONS

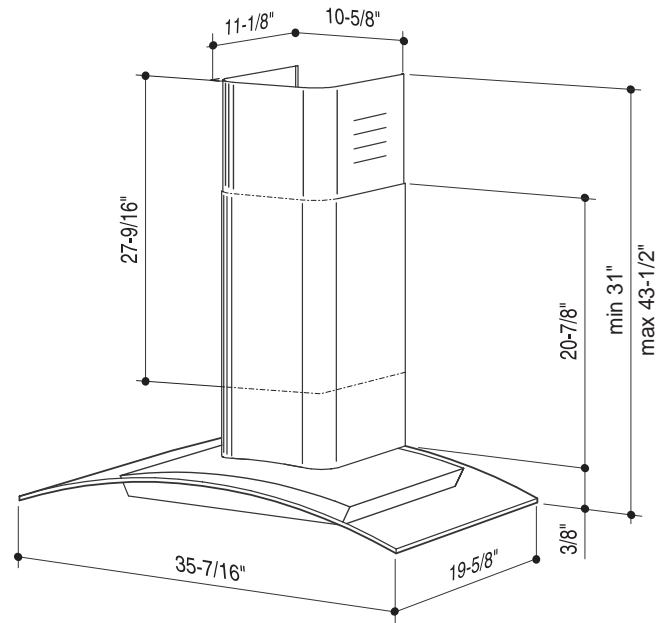
- Backsplash available (Contact Broan Technical Support)
- Replacement grease filters available
- Non-ducted recirculation kit (Model NDK7388)
- Flue extension for 10' ceiling (for ducted applications) (Model FEXTK7388SS)
- Replacement charcoal filters available (Model FILTERSQUARE)
- Replacement bulb (Part No. SB02300891)

SPECIFICATIONS

VOLTS	AMPS	CFM	SONES	DUCT
120	3.13	450	9.0	6" round



HVI-2100 CERTIFIED RATINGS comply with new testing technologies and procedures prescribed by the Home Ventilating Institute, for off-the-shelf products, as they are available to consumers. Product performance is rated at 0.1 in. static pressure, based on tests conducted in AMCA's state-of-the-art test laboratory. Sones are a measure of humanly-perceived loudness, based on laboratory measurements.

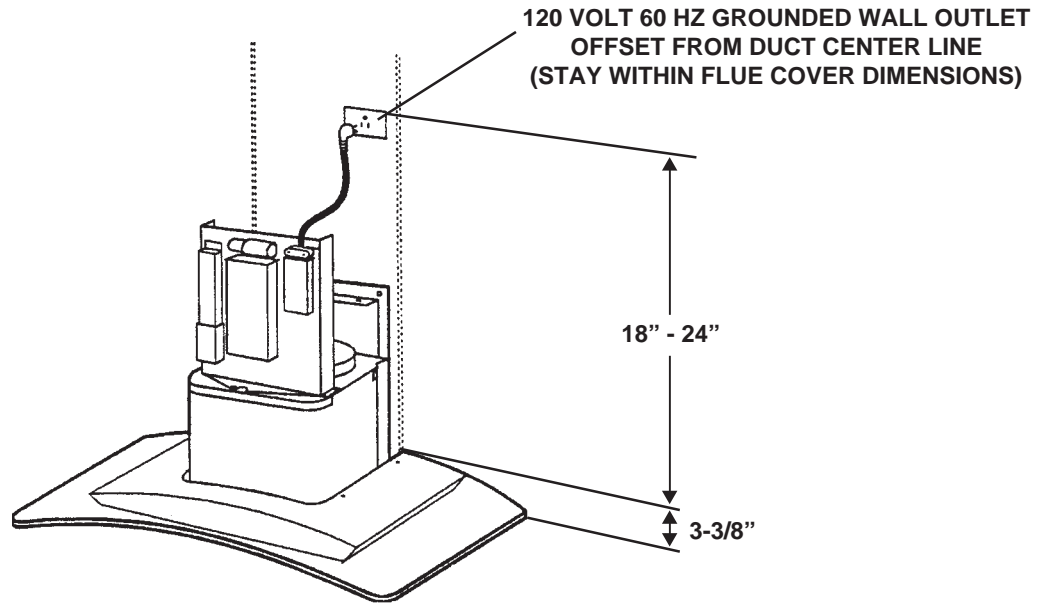


Mount range hood so bottom of hood is 24" minimum above cooking surface.

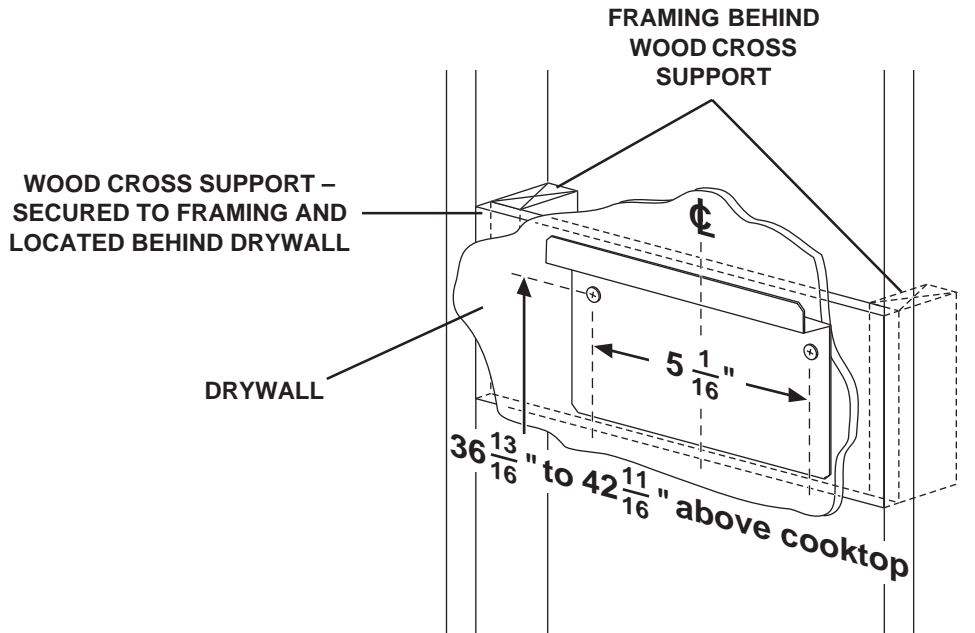
BEST BY BROAN P.O. BOX 140 HARTFORD, WISCONSIN 53027

REFERENCE	QTY.	REMARKS	Project
			Location
			Architect
			Engineer
			Contractor
			Submitted by Date

K7388 SERIES WIRING



K7388 SERIES MOUNTING



36-13/16" = bottom of hood 24" above cooktop
42-11/16" = bottom of hood 30" above cooktop



BEST BY BROAN P.O. BOX 140 HARTFORD, WISCONSIN 53027