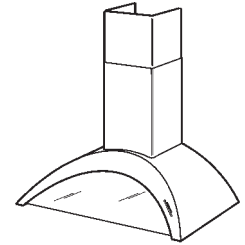


K3500 SERIES RANGE HOODS



Curved, sweeping surfaces blend imperceptibly into a magnificent glass reveal.

FEATURES

- Italian design
- Wall mount
- Finish: 304 Stainless Steel #4 Brushed
- Width: 35-7/16" (90cm)
- Ducted telescopic flue accommodates 8' to 9' ceilings
- 6" round duct connector/backdraft damper
- Halogen lighting (2 x 20 watt, Type JC 12V 20W G4 Base) provides two-level lighting – bright cooktop illumination and a low nighttime setting (bulbs included)
- Advanced, multispeed, electronic push-button controls with individual speed indicators
- Quiet, variable-speed centrifugal blower with high-efficiency motor produces 450 CFM of exhaust
- Delay timer control automatically shuts off range hood after ten minutes
- Special control indicates when it's time to clean the filter
- Dishwasher-safe aluminum filter features a quick-release latch and a curved, designer appearance
- Heat Sentry™ - automatically turns blower to high speed when excess cooking heat is detected

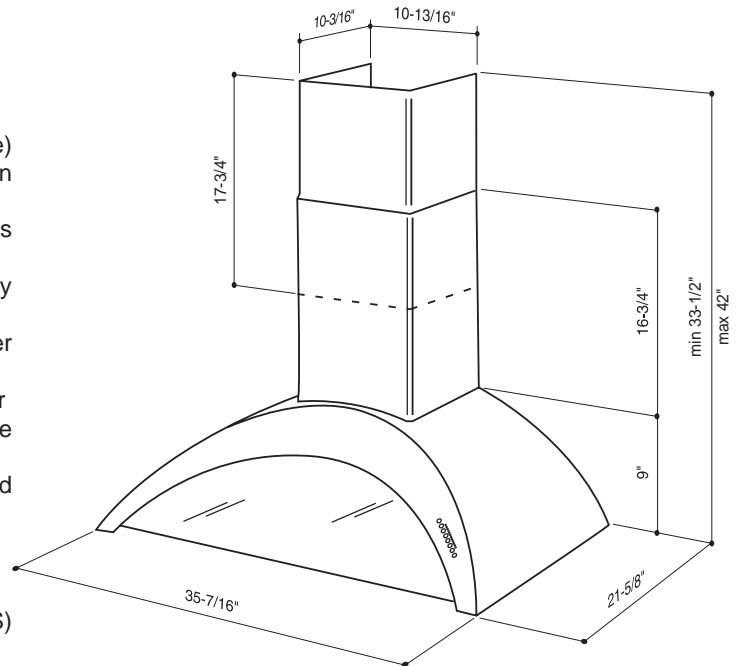
OPTIONS

- Replacement grease filters available
- Flue extension for 10' ceiling (Model FEXTK3500SS) (35-7/16" long)
- Exterior blower version (KEX3500) available, providing 600, 900, 1200, or 1500 CFM exhaust
- Replacement bulb (Part No. SB02300891)



SPECIFICATIONS

VOLTS	AMPS	CFM	SONES	DUCT
120	3.13	450	9.0	6" round

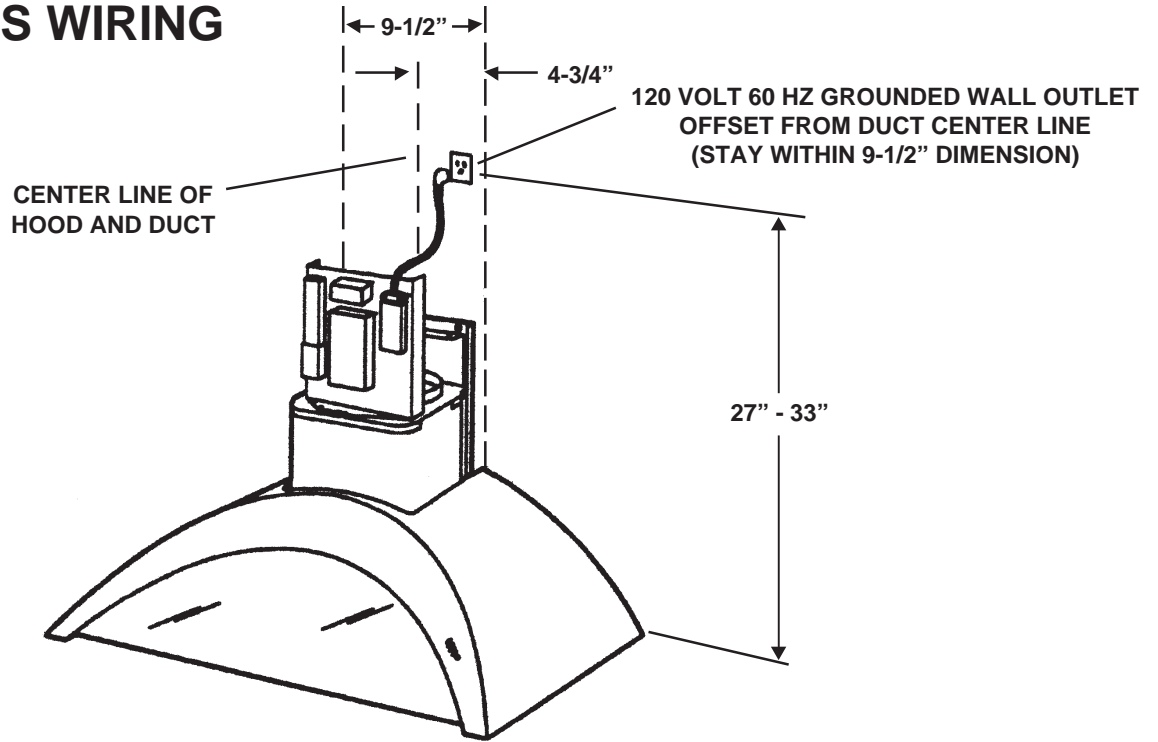


HVI-2100 CERTIFIED RATINGS comply with new testing technologies and procedures prescribed by the Home Ventilating Institute, for off-the-shelf products, as they are available to consumers. Product performance is rated at 0.1 in. static pressure, based on tests conducted in AMCA's state-of-the-art test laboratory. Sones are a measure of humanly-perceived loudness, based on laboratory measurements.

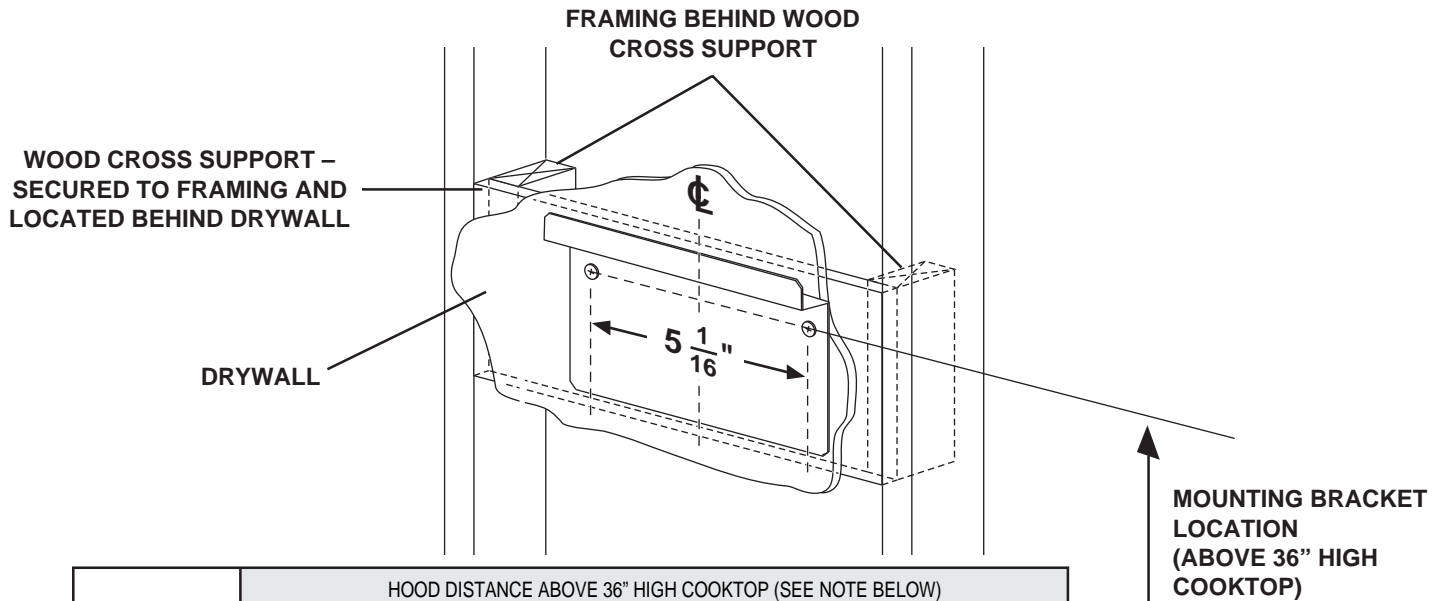
BEST BY BROAN P.O. BOX 140 HARTFORD, WISCONSIN 53027

REFERENCE	QTY.	REMARKS	Project
			Location
			Architect
			Engineer
			Contractor
			Submitted by Date

K3500 SERIES WIRING



K3500 SERIES MOUNTING



CEILING HEIGHT	HOOD DISTANCE ABOVE 36" HIGH COOKTOP (SEE NOTE BELOW)						
	24"	25"	26"	27"	28"	29"	30"
	MOUNTING BRACKET LOCATION ABOVE 36" HIGH COOK TOP						
8 FEET	43-1/2"	44-1/2"	45-1/2"	46-1/2"	47-1/2"	48-1/2"	49-1/2"
9 FEET							49-1/2"
10 FEET WITH FEXTK3500		44-1/2"	45-1/2"	46-1/2"	47-1/2"	48-1/2"	49-1/2"

NOTE: Minimum hood distance above cooktop must not be less than 24".
A maximum of 30" above the cooktop is highly recommended for best capture of cooking impurities.
Distances over 30" are at the installer and users' discretion; and if ceiling height and flue length permit.



BEST BY BROAN P.O. BOX 140 HARTFORD, WISCONSIN 53027