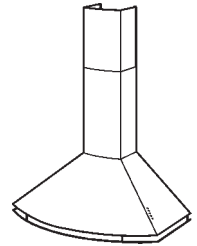


# K273 SERIES RANGE HOODS



A delightful combination of curved and angular surfaces gives this handcrafted chimney hood a sensational appearance that complements high-design kitchens.

### FEATURES

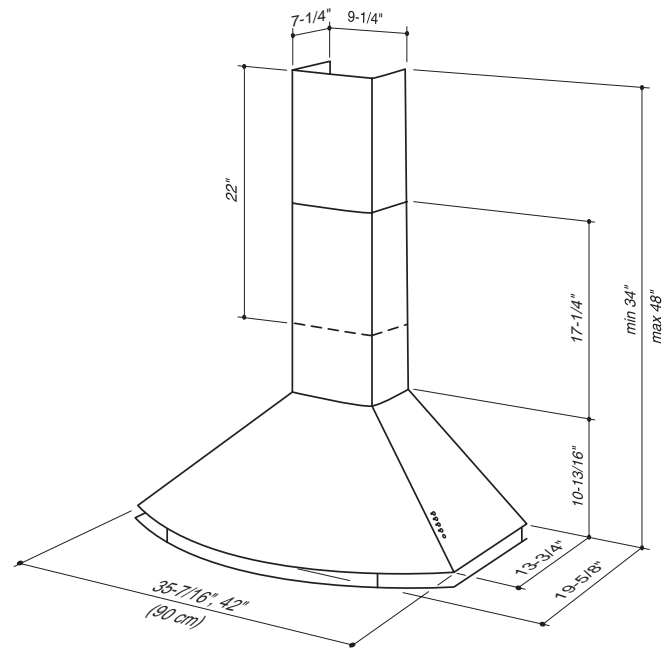
- Italian design
- Wall mount
- Finishes: 304 Stainless Steel #4 Brushed, White, Black
- Widths: 35-7/16" (90cm), 42"
- Chrome-plated utensil rail
- Ducted telescopic flue accommodates 8' to 9' ceilings
- 6" round duct connector/backdraft damper
- Halogen lighting (2 x 20 watt, Type MR16 - bulbs included)
- Advanced, multispeed, electronic push-button controls with individual speed indicators
- Quiet, variable-speed centrifugal blower with high-efficiency motor produces 500 CFM of exhaust
- Delay timer control automatically shuts off range hood after ten minutes
- Special control indicates when it's time to clean the filter
- Dishwasher-safe filters feature a quick-release latch and polished stainless steel
- Heat Sentry™ - automatically turns blower to high speed when excess cooking heat is detected

### OPTIONS

- Replacement grease filters available
- Flue extension for 10' ceiling (Model FEXTK273 in Stainless Steel, White, Black) (31-1/2" long)
- Exterior blower version (KEX273) available, providing 600, 900, 1200, or 1500 CFM exhaust

### SPECIFICATIONS

| VOLTS | AMPS | CFM | SONES | DUCT     |
|-------|------|-----|-------|----------|
| 120   | 3.13 | 500 | 9.5   | 6" round |

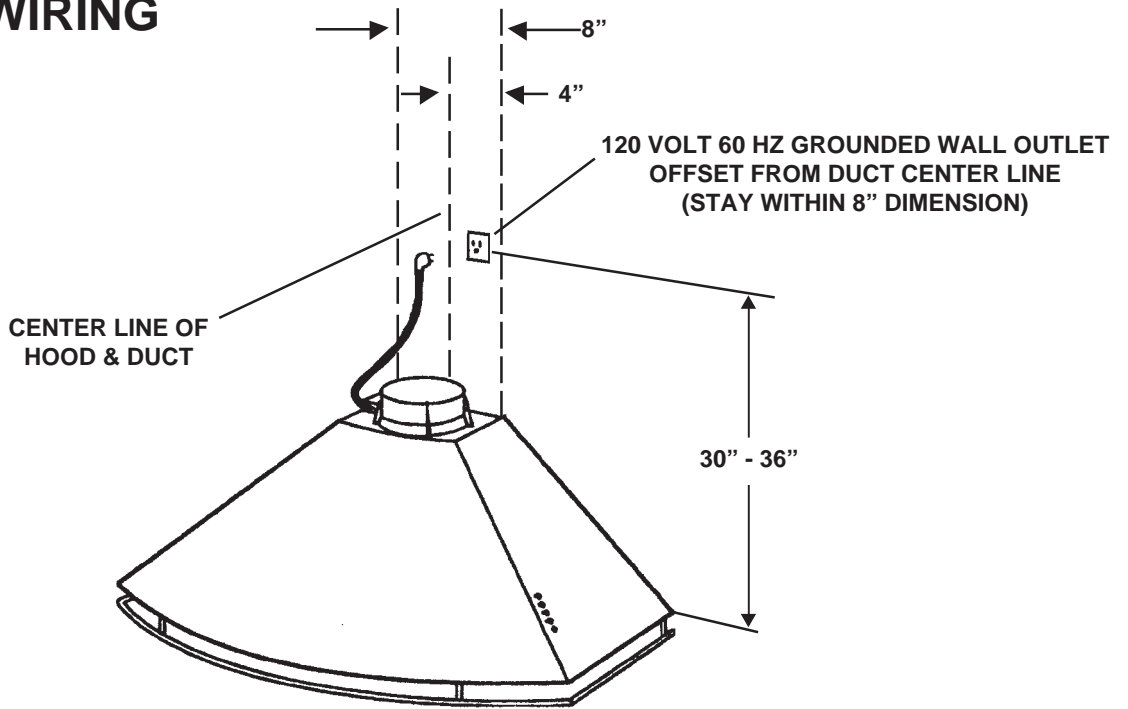


HVI-2100 CERTIFIED RATINGS comply with new testing technologies and procedures prescribed by the Home Ventilating Institute, for off-the-shelf products, as they are available to consumers. Product performance is rated at 0.1 in. static pressure, based on tests conducted in AMCA's state-of-the-art test laboratory. Sones are a measure of humanly-perceived loudness, based on laboratory measurements.

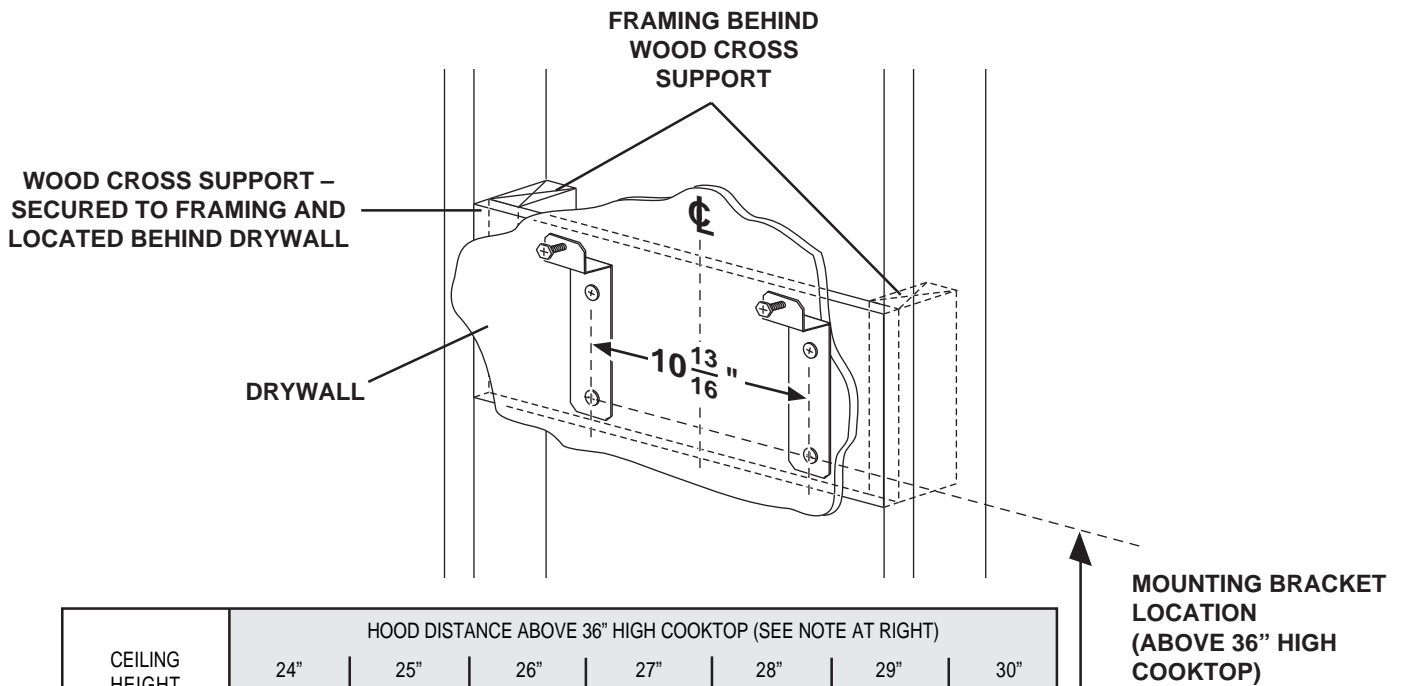
BEST BY BROAN P.O. BOX 140 HARTFORD, WISCONSIN 53027

| REFERENCE | QTY. | REMARKS | Project  |
|-----------|------|---------|--|
|           |      |         | Location   |
|           |      |         | Architect  |
|           |      |         | Engineer   |
|           |      |         | Contractor   |
|           |      |         | Submitted by <span style="float: right;">Date</span> |

# K273 SERIES WIRING



# K273 SERIES MOUNTING



| CEILING HEIGHT                                    | HOOD DISTANCE ABOVE 36" HIGH COOKTOP (SEE NOTE AT RIGHT) |         |         |         |         |         |         |
|---|--|---------|---------|---------|---------|---------|---------|
|   | 24"  | 25"     | 26"     | 27"     | 28"     | 29"     | 30"     |
| MOUNTING BRACKET LOCATION ABOVE 36" HIGH COOK TOP |  |         |         |         |         |         |         |
| 8 FEET  | 27-3/4"  | 28-3/4" | 29-3/4" |         |         |         |         |
| 9 FEET  | 27-3/4"  | 28-3/4" | 29-3/4" | 30-3/4" | 31-3/4" | 32-3/4" | 33-3/4" |
| 10 FEET WITH FEXTK273                             |  |         |         | 30-3/4" | 31-3/4" | 32-3/4" | 33-3/4" |

**NOTE:** Minimum hood distance above cooktop must not be less than 24". A maximum of 30" above the cooktop is highly recommended for best capture of cooking impurities. Distances over 30" above the cooktop are at the installer's and user's discretion - providing that ceiling height and flue length permit.

