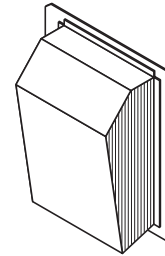


MODEL EB12 EXTERIOR BLOWER



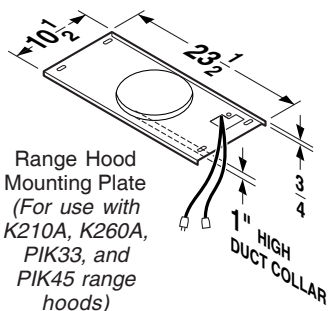
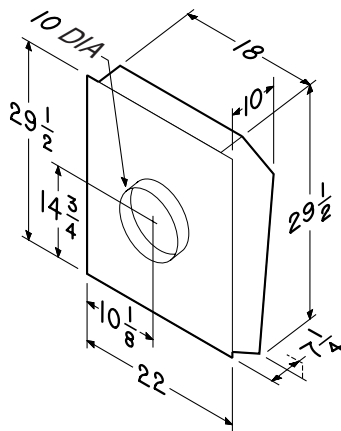
Use this high-powered ventilator to quietly and efficiently exhaust airborne contaminants from cooking and living space.

FEATURES:

- Brushed aluminum construction
- Built-in flashing plate for roof or wall mount
- Built-in backdraft damper and birdscreen
- Easily removable cover provides quick access to blower for cleaning and servicing
- For 10" round duct
- Thermally protected, permanently lubricated, ball-bearing motor
- Speed control compatible motor
- Dynamically balanced 14" diameter backward-curved impeller
- Low RPM - quiet operation
- For use with Best by Broan range hoods and downdrafts that have exterior blower options

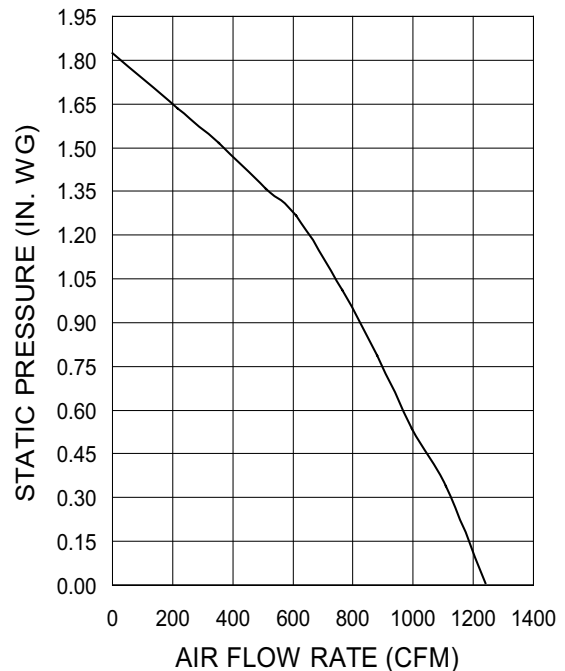
SPECIFICATIONS

| |
|--------------|
| VOLTS |
| 120 |
| AMPS |
| 3.0 |
| CFM |
| 1200 |
| DUCT |
| 10" Round |



TYPICAL SPECIFICATION

Ventilator shall be a Best by Broan Model EB12.
 Ventilator shall be roof (exterior wall) mountable with a 10" round duct connector.
 Ventilator shall be of aluminum construction.
 Ventilator shall include an automatic backdraft damper.
 Air delivery shall be no less than 1200 CFM, as certified by HVI.



HVI-2100 CERTIFIED RATINGS comply with new testing technologies and procedures prescribed by the Home Ventilating Institute, for off-the-shelf products, as they are available to consumers. Product performance is rated at 0.1 in. static pressure, based on tests conducted in AMCA's state-of-the-art test laboratory. Scores are a measure of humanly-perceived loudness, based on laboratory measurements.

Best by Broan, P.O. Box 140, Hartford, WI 53027

| REFERENCE | QTY. | REMARKS | Project |
|-----------|------|---------|--|
| | | | Location |
| | | | Architect |
| | | | Engineer |
| | | | Contractor |
| | | | Submitted by Date |