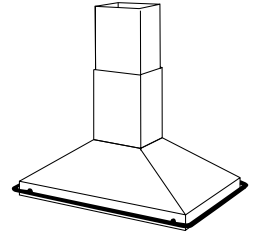


ISER222 SERIES RANGE HOODS



Tubular, wrap-around utensil rail serves as both a stunning accent and a practical addition to this elegant angular design.

FEATURES

- Italian design
- Island mount
- Finishes: 304 Stainless Steel #4 Brushed, White, Black, Polished Copper, Brushed Copper
- Utensil rail is chrome when ordering stainless steel finish, brass rail with all other finishes
- Size: 70cm x 122cm (27-9/16" x 48")
- Telescopic flue accommodates 8' to 9' ceilings
- 8" round duct connector/backdraft damper
- Halogen lighting (4 x 20 watt, Type JC 12V 20W G4 Base - bulbs included) with two-level lighting provides bright cooktop illumination and a low nighttime setting
- Advanced, multispeed electronic push-button controls with individual speed indicators
- Quiet variable speed centrifugal blower with high efficiency motor produces 1000 CFM of exhaust
- Delay timer control automatically shuts off range hood after ten minutes
- Special control indicates when it's time to clean the filter
- Dishwasher-safe filter features a quick-release latch and decorative cover plate
- Heat Sentry™ - automatically turns blower to high speed when excess cooking heat is detected

OPTIONS

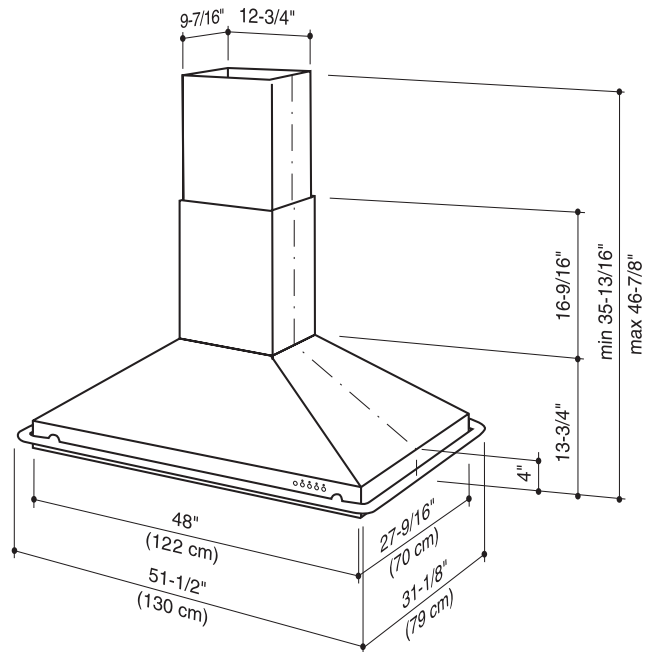
- Flue extension for 10' ceiling (Model FEXTISER222)
- Replacement grease filters available
- Replacement bulb (Part No. SB02300891)
- Exterior blower version (IEX222) available, providing 600, 900, 1200, or 1500 CFM exhaust

SPECIFICATIONS

VOLTS	AMPS	CFM	SONES	DUCT
120	6.26	1000	10.0	8" round



HVI-2100 CERTIFIED RATINGS comply with new testing technologies and procedures prescribed by the Home Ventilating Institute, for off-the-shelf products, as they are available to consumers. Product performance is rated at 0.1 in. static pressure, based on tests conducted in AMCA's state-of-the-art test laboratory. Sones are a measure of humanly-perceived loudness, based on laboratory measurements.

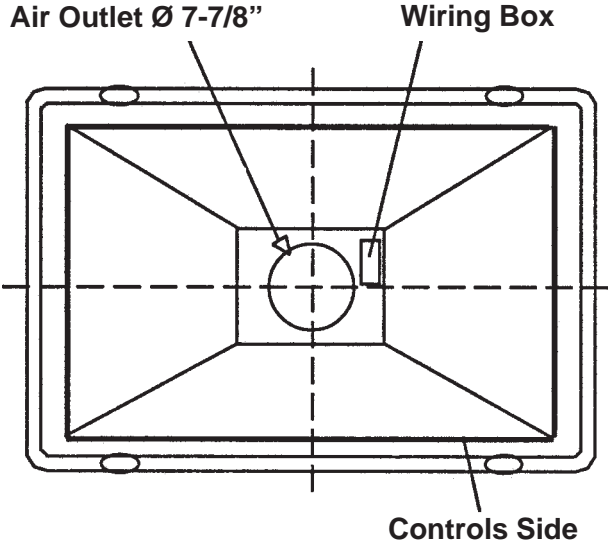


Mount range hood so bottom of hood is 24" minimum above cooking surface.

BEST BY BROAN P.O. BOX 140 HARTFORD, WISCONSIN 53027

REFERENCE	QTY.	REMARKS	Project
			Location
			Architect
			Engineer
			Contractor
			Submitted by Date

ISER222 SERIES WIRING



ISER222 SERIES MOUNTING

