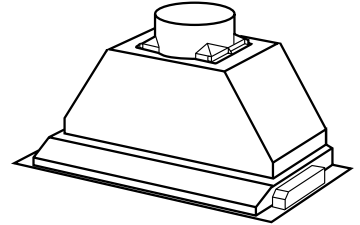


# PK22 RANGE HOOD



**Specially designed to be installed in custom canopy hoods for use over residential commercial-style cooking surfaces.**

**FEATURES**

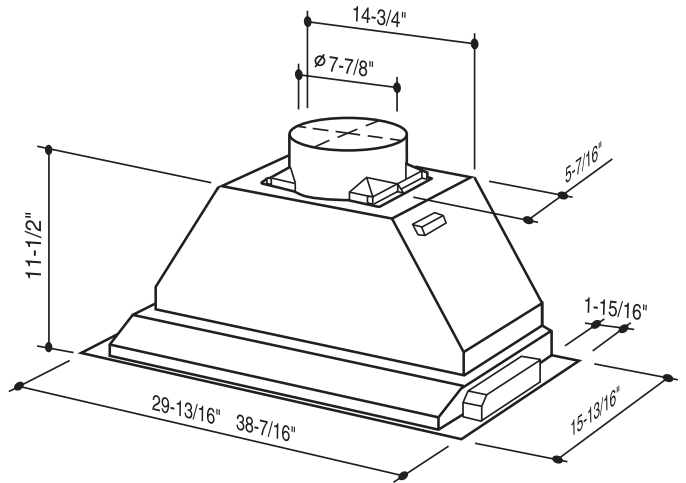
- Italian design
- Cabinet mount – custom application
- Finish: 304 Stainless Steel #3 Brushed
- Widths: 29-13/16", 38-7/16"
- 8" round duct connector/backdraft damper
- Halogen lighting (2 bulbs included on 29-13/16" hood or 4 bulbs on 38-7/16" hood; Type GU10, MR16 shielded, 120 volt, 50 watts max.)
- Slide controls: on-off, 3-speed
- Quiet, dual centrifugal blowers with two high-efficiency motors produce 1000 CFM
- Easily accessible, dishwasher-safe aluminum/stainless steel filters
- Heat Sentry™ - automatically turns blower to high speed when excess cooking heat is detected

**OPTIONS**

- Stainless liner (Model Nos. L2936, L2942, L3848, L3854, L3860)
- Ambient light panel (Model Nos. ALP36, ALP42, ALP48, ALP54, ALP60)
- Exterior blower version (PKEX22) available, providing 600, 900, 1200, or 1500 CFM exhaust

**SPECIFICATIONS**

VOLTS	AMPS	CFM	SONES	DUCT
120	6.23/7.06	1000	10.5	8" round



Mount range hood so bottom of hood is 24" to 30" above cooking surface.

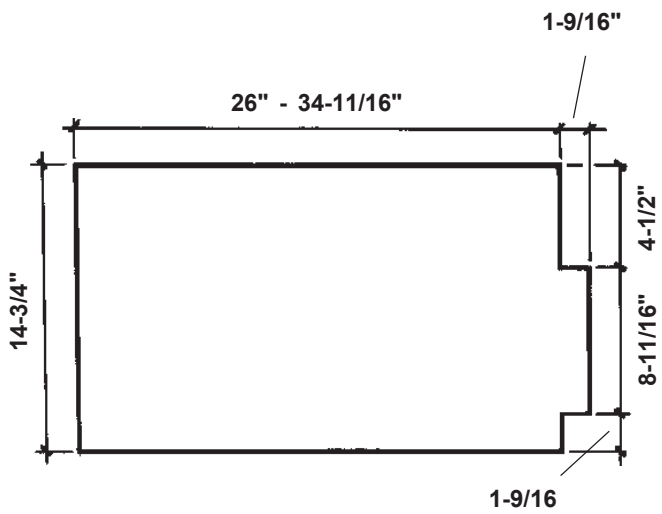


HVI-2100 CERTIFIED RATINGS comply with new testing technologies and procedures prescribed by the Home Ventilating Institute, for off-the-shelf products, as they are available to consumers. Product performance is rated at 0.1 in. static pressure, based on tests conducted in AMCA's state-of-the-art test laboratory. Sones are a measure of humanly-perceived loudness, based on laboratory measurements.

BEST BY BROAN P.O. BOX 140 HARTFORD, WISCONSIN 53027

REFERENCE	QTY.	REMARKS	Project
			Location
			Architect
			Engineer
			Contractor
			Submitted by <span style="float: right;">Date</span>

# PK22 MOUNTING



SIZE OF THE CUT OUT  
(TOP VIEW)

