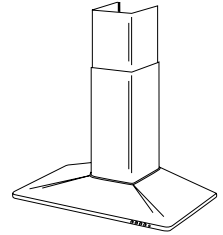


K34 SERIES RANGE HOODS



Sleek lines and our hand-rolled, seamless-look construction produce an elegant shape that lends itself to any design setting.

FEATURES

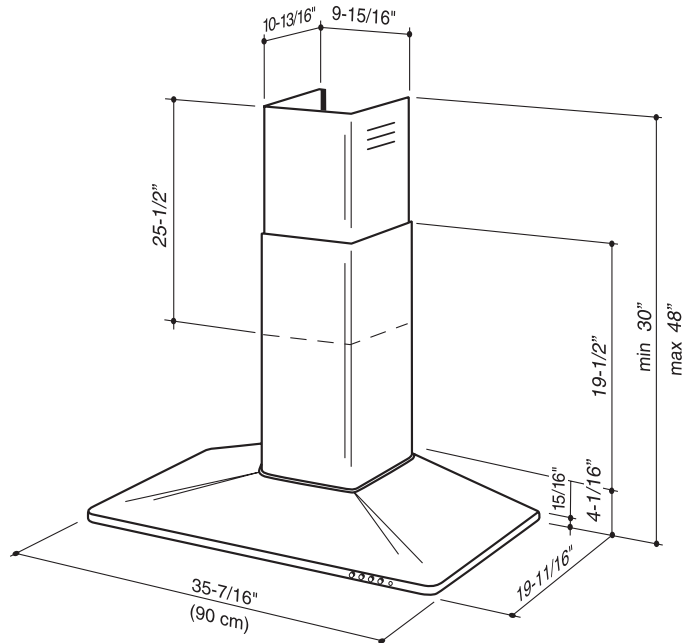
- Italian design
- Wall mount
- Finishes: 430 Stainless Steel #4 Brushed, White, Black
- Widths: 90cm (35-7/16")
- Telescopic flue accommodates 8-ft. to 9-ft. ceilings
- 6" round duct connector/backdraft damper
- Convertible to duct-free with recirculating filter kit (purchase separately)
- Halogen lighting (2 x 20 watt, Type JC 12V 20W G4 Base - bulbs included)
- Pushbutton control: lights and three speed blower
- Single centrifugal blower
- Dishwasher-safe stainless steel/aluminum filters
- Heat Sentry™ - automatically turns blower to high speed when excess cooking heat is detected

OPTIONS

- Recirculating filter (Model No. FILTER K34)
- Flue Extension for 10-ft. ceiling Model FEXTK34SS (ducted applications), Model FEXTK34SSN (non-ducted applications), 38-in. long stainless steel only.

SPECIFICATIONS

VOLTS	AMPS	CFM	SONES	DUCT
120	3.13	500	9.5	6" round

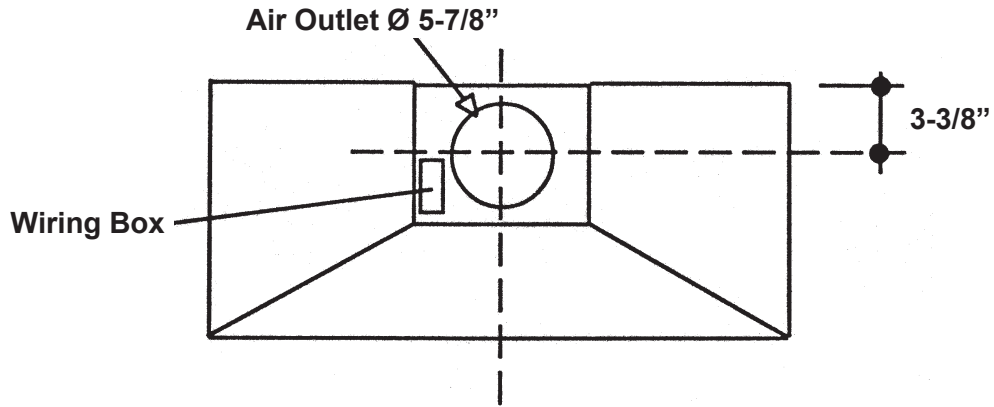


HVI-2100 CERTIFIED RATINGS comply with new testing technologies and procedures prescribed by the Home Ventilating Institute, for off-the-shelf products, as they are available to consumers. Product performance is rated at 0.1 in. static pressure, based on tests conducted in AMCA's state-of-the-art test laboratory. Sones are a measure of humanly-perceived loudness, based on laboratory measurements.

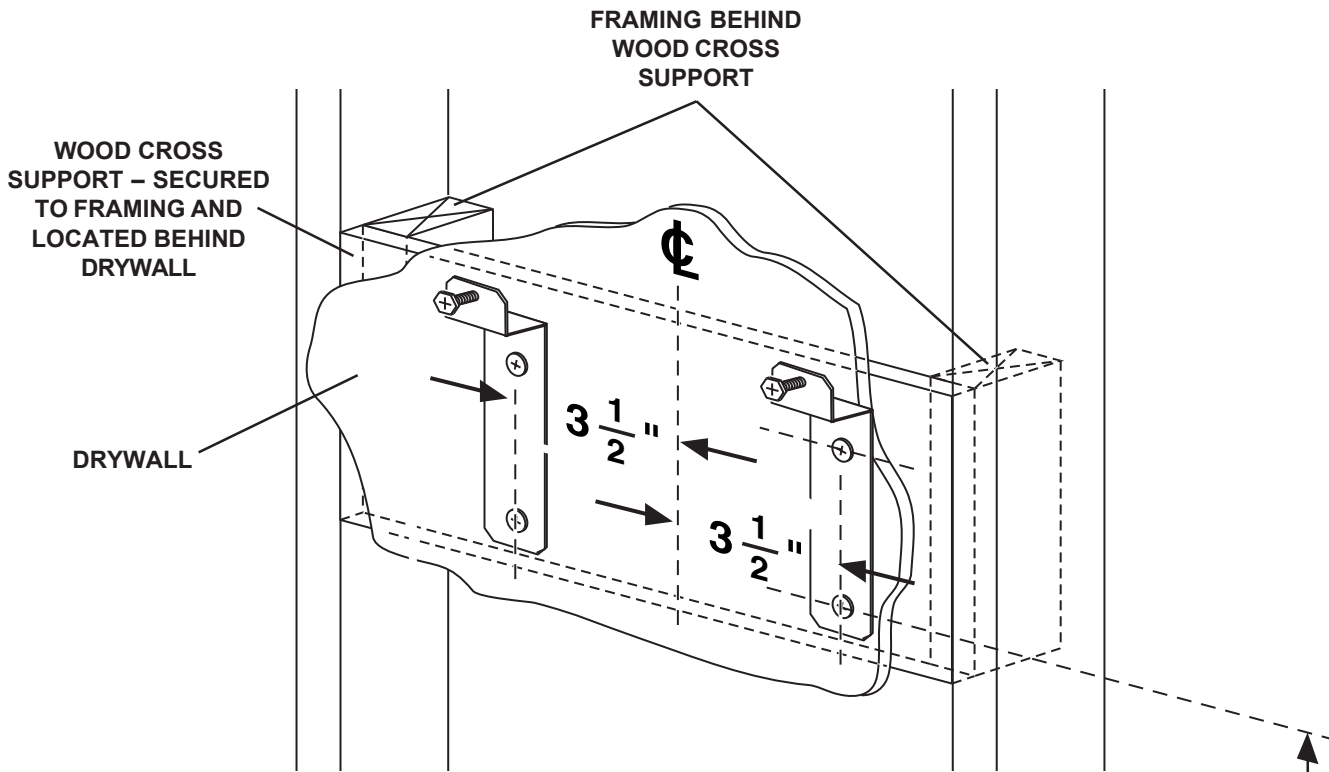
BEST BY BROAN P.O. BOX 140 HARTFORD, WISCONSIN 53027

REFERENCE	QTY.	REMARKS	Project
			Location
			Architect
			Engineer
			Contractor
			Submitted by
			Date

K34 SERIES WIRING



K34 SERIES MOUNTING



CEILING HEIGHT	DUCT METHOD	MOUNTING DISTANCE ABOVE 36" HIGH COOKTOP (SEE NOTE BELOW)						
		24"	25"	26"	27"	28"	29"	30"
8 FEET	DUCTED	36-1/4"	37-1/4"	38-1/4"	39-1/4"	40-1/4"	41-1/4"	42-1/4"
	NONDUCTED	36-1/4"	37-1/4"	38-1/4"	39-1/4"			
9 FEET	DUCTED OR NONDUCTED	36-1/4"	37-1/4"	38-1/4"	39-1/4"	40-1/4"	41-1/4"	42-1/4"
10 FEET (NOTE 2)	DUCTED OR NONDUCTED	36-1/4"	37-1/4"	38-1/4"	39-1/4"	40-1/4"	41-1/4"	42-1/4"

Notes:

1. Minimum hood distance above cooktop must not be less than 24". A maximum of 30" above the cooktop is highly recommended for best capture of cooking impurities. Distances over 30" above the cooktop are at the installer's and user's discretion - providing that ceiling height and fuel length permit.
2. Requires optional 10-ft. flue extension Model FEXTK34SS (ducted) or FEXTK34SSN (non-ducted). Available in stainless steel only.

