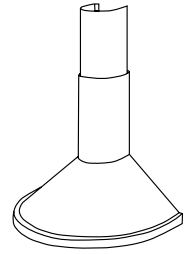


# K15 SERIES RANGE HOODS



The graceful curvature of the wall-mounted canopy and flue accentuate the distinctive, seamless appearance achieved through our hand-rolled production techniques.

### FEATURES

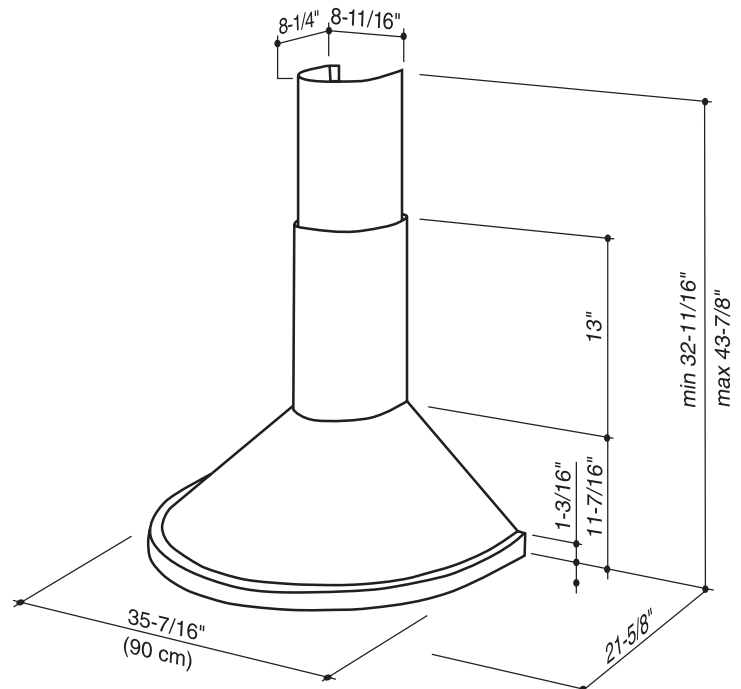
- Italian design
- Wall mount
- Finishes: 430 Stainless Steel #4 Brushed, White, Black
- Widths: 90cm (35-7/16")
- Includes utensil rack
- Telescopic flue accommodates 8' to 9' ceilings
- 6" round duct connector/backdraft damper
- Halogen lighting (2 x 20 watt, Type JC 12V 20W G4 Base - bulbs included)
- Slide controls: on-off, infinite speed
- Single centrifugal blower
- Dishwasher-safe aluminum filters
- Heat Sentry™ - automatically turns blower to high speed when excess cooking heat is detected

### OPTIONS

- Backsplash available (Model BSK6)
- Flue extension for 10' ceiling (ducted only) Model No. FEXTK13
- Replacement grease filters available
- Replacement bulb (Part No. SB02300891)

### SPECIFICATIONS

VOLTS	AMPS	CFM	SONES	DUCT
120	3.13	500	9.5	6" round



Mount range hood so bottom of hood is 24" minimum above cooking surface.

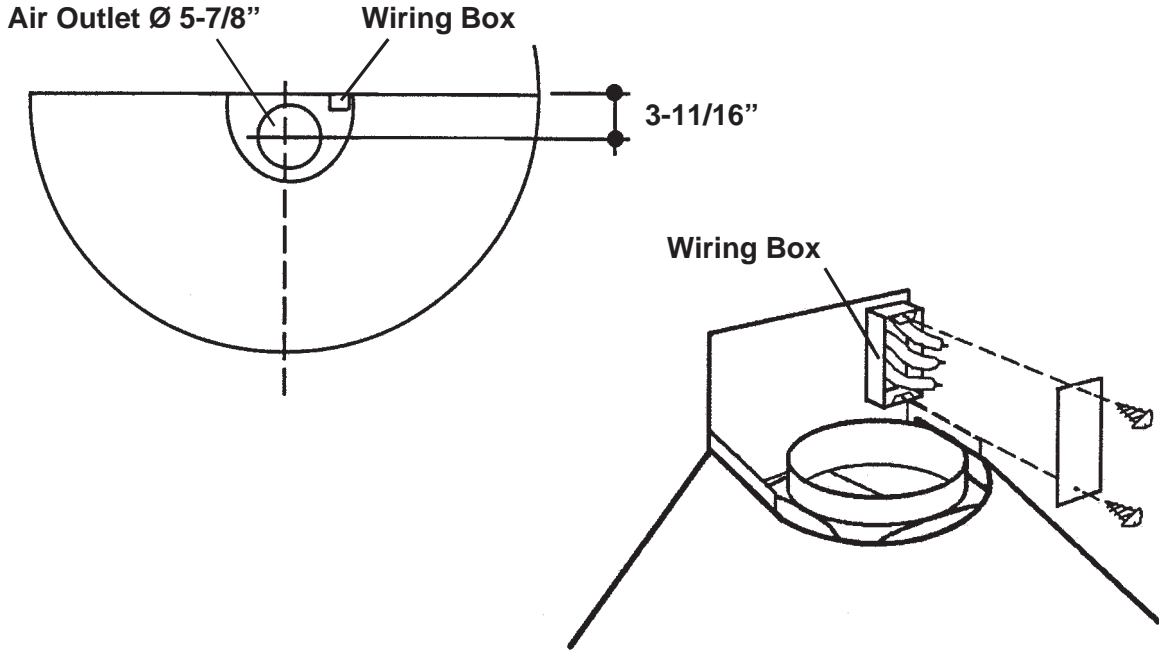


HVI-2100 CERTIFIED RATINGS comply with new testing technologies and procedures prescribed by the Home Ventilating Institute, for off-the-shelf products, as they are available to consumers. Product performance is rated at 0.1 in. static pressure, based on tests conducted in AMCA's state-of-the-art test laboratory. Sones are a measure of humanly-perceived loudness, based on laboratory measurements.

BEST BY BROAN P.O. BOX 140 HARTFORD, WISCONSIN 53027

REFERENCE	QTY.	REMARKS	Project
			Location
			Architect
			Engineer
			Contractor
			Submitted by Date

# K15 SERIES WIRING



# K15 SERIES MOUNTING

