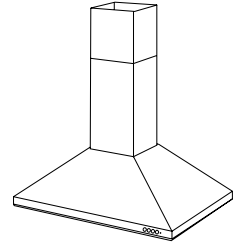


IS23 SERIES RANGE HOODS



Controls conveniently located on the exterior edge of this seamless-look angular design.

FEATURES

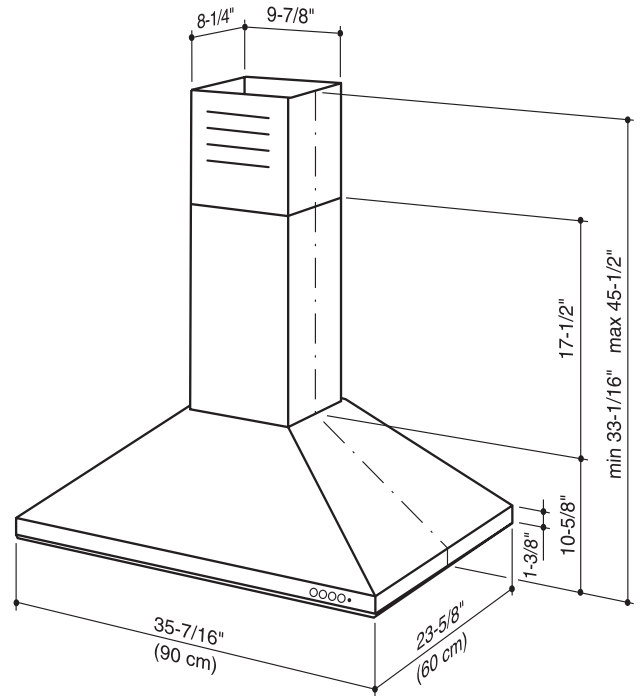
- Italian design
- Island ceiling mount
- Finishes: 430 Stainless Steel, White, Black
- Size: 60cm x 90cm
- Telescopic flue accommodates 8' to 9' ceilings
- 6" round duct connector/backdraft damper
- Convertible to duct-free operation – use recirculating filter kit (purchase separately)
- Fluorescent lighting (2 x 9 watt, compact)
- Push button controls: lights, three speeds
- Single centrifugal blower
- Dishwasher-safe stainless steel/aluminum filters
- Heat Sentry™ - automatically turns blower to high speed when excess cooking heat is detected

OPTIONS

- Flue extension for 10' ceiling (Model No. FEXTIS23)
- Recirculating filter (Model No. ROUNDFILTER)
- Replacement grease filters available
- Replacement bulb (Part No. S02300700)

SPECIFICATIONS

VOLTS	AMPS	CFM	SONES	DUCT
120	3.02	500	8.5	6" round



Mount range hood so bottom of hood is 24" minimum above cooking surface.

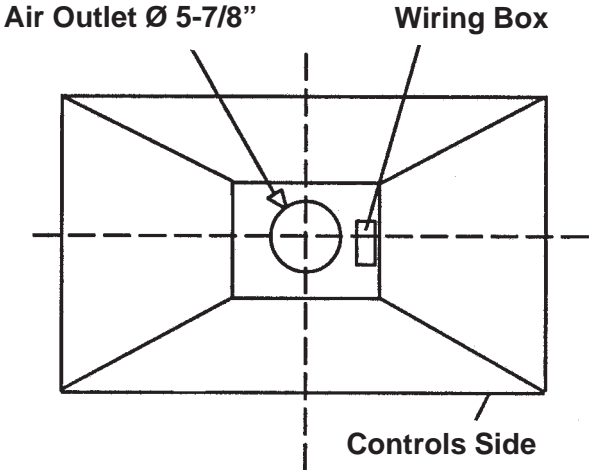


HVI-2100 CERTIFIED RATINGS comply with new testing technologies and procedures prescribed by the Home Ventilating Institute, for off-the-shelf products, as they are available to consumers. Product performance is rated at 0.1 in. static pressure, based on tests conducted in AMCA's state-of-the-art test laboratory. Sones are a measure of humanly-perceived loudness, based on laboratory measurements.

BEST BY BROAN P.O. BOX 140 HARTFORD, WISCONSIN 53027

REFERENCE	QTY.	REMARKS	Project
			Location
			Architect
			Engineer
			Contractor
			Submitted by Date

IS23 SERIES WIRING



IS23 SERIES MOUNTING

