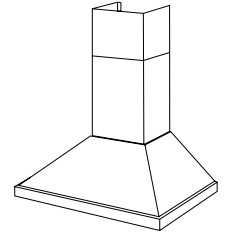


# K42 SERIES RANGE HOODS



The classic pyramid with the performance for the serious cook or the recreational cook.

### FEATURES

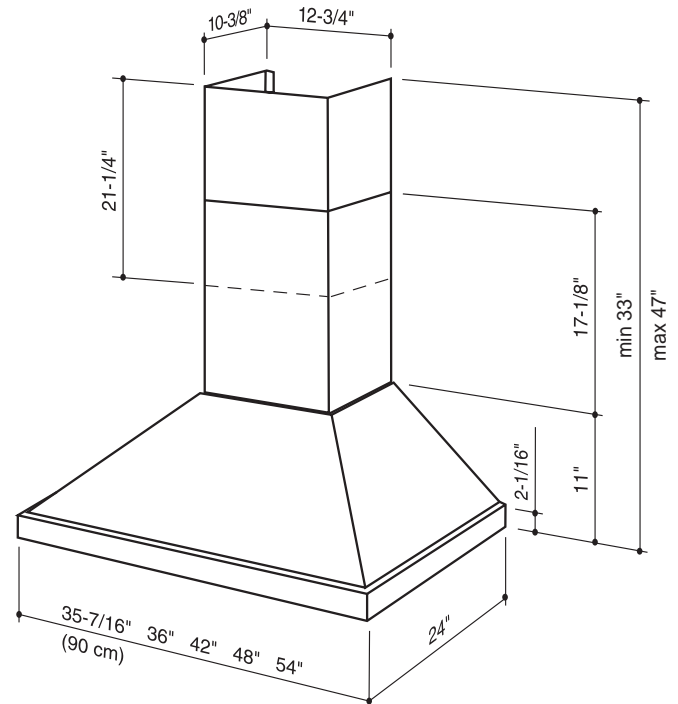
- Italian design
- Wall mount
- Finishes: 304 Stainless Steel #4 Brushed, White, Black, Polished Brass, Polished Copper
- Widths: 90cm (35-7/16"), 36", 42", 48", 54"
- Telescopic flue accommodates 8' to 9' ceilings
- 8" round duct connector/backdraft damper
- Halogen lighting (2 x 20 watt, MR16 - bulbs included)
- Slide controls: on-off, infinite speed
- Twin centrifugal blower
- Dishwasher-safe filter features a quick-release latch and decorative cover plate
- Heat Sentry™ - automatically turns blower to high speed when excess cooking heat is detected

### OPTIONS

- Backsplash available (Model BSK1)
- Flue extension for 10' ceiling (Model FEXTK42) (31-7/8" long)
- Replacement grease filters available
- Replacement bulb (Part No. SB02300668)
- Accent trim in contrasting or complementary finishes (Model FTK42)
- Exterior blower version (KEX42) available, providing 600, 900, 1200, or 1500 CFM exhaust

### SPECIFICATIONS

VOLTS	AMPS	CFM	SONES	DUCT
120	6.26	1000	10.0	8" round



Mount range hood so bottom of hood is 24" minimum above cooking surface.

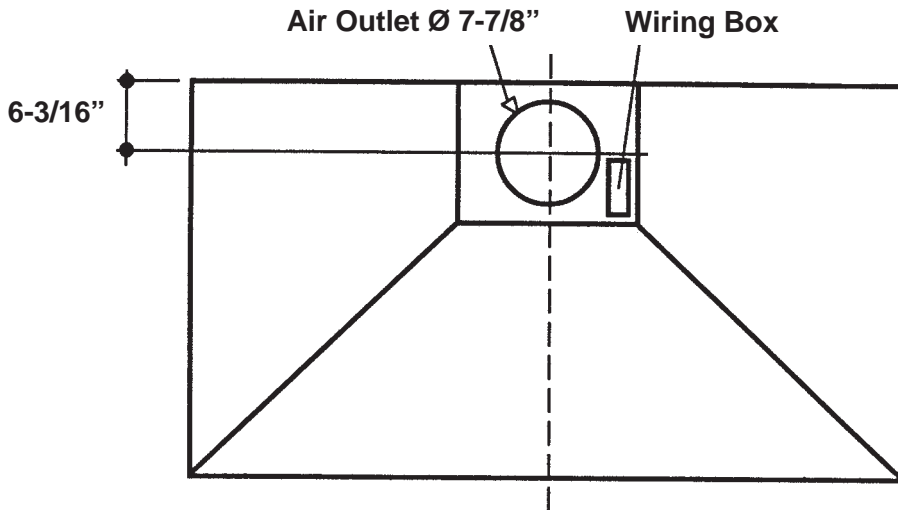


HVI-2100 CERTIFIED RATINGS comply with new testing technologies and procedures prescribed by the Home Ventilating Institute, for off-the-shelf products, as they are available to consumers. Product performance is rated at 0.1 in. static pressure, based on tests conducted in AMCA's state-of-the-art test laboratory. Sones are a measure of humanly-perceived loudness, based on laboratory measurements.

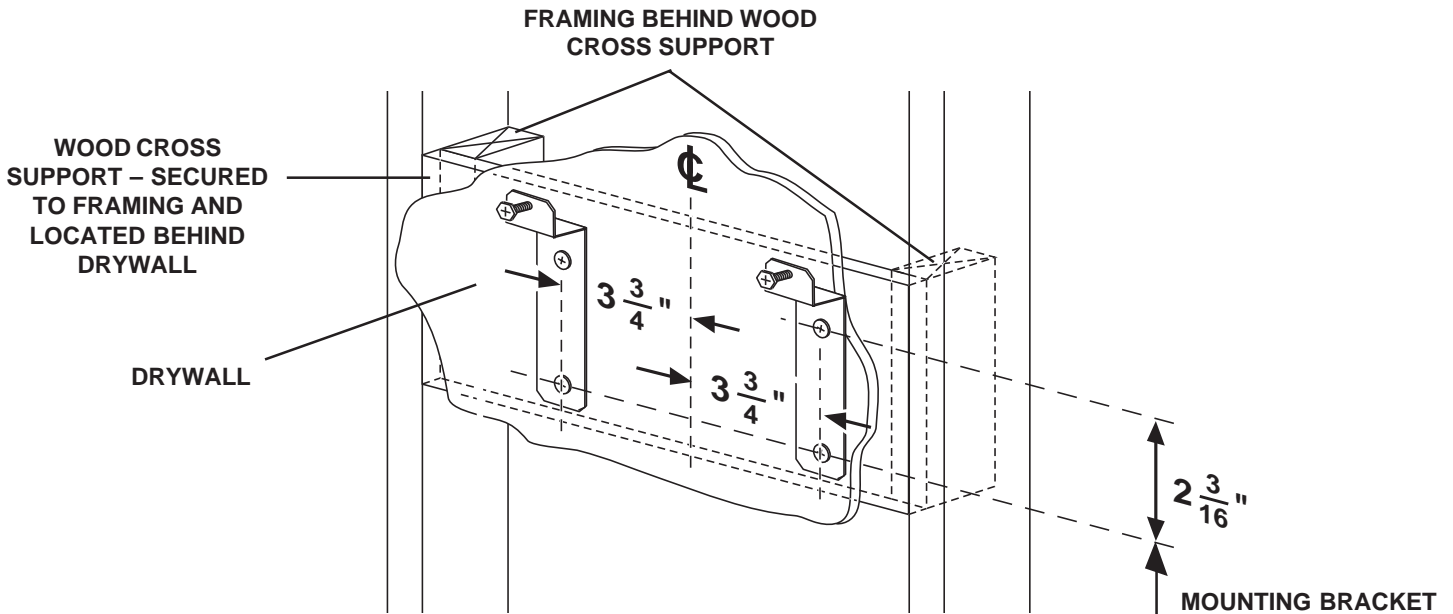
BEST BY BROAN P.O. BOX 140 HARTFORD, WISCONSIN 53027

REFERENCE	QTY.	REMARKS	Project
			Location
			Architect
			Engineer
			Contractor
			Submitted by <span style="float: right;">Date</span>

# K42 SERIES WIRING



# K42 SERIES MOUNTING



CEILING HEIGHT	MOUNTING DISTANCE ABOVE 36" HIGH COOKTOP (SEE NOTE BELOW)						
	24"	25"	26"	27"	28"	29"	30"
8 FEET	36-3/16"	37-3/16"	38-3/16"	39-3/16"			
9 FEET		37-3/16"	38-3/16"	39-3/16"	40-3/16"	41-3/16"	42-3/16"
10 FEET WITH FEXTK42			38-3/16"	39-3/16"	40-3/16"	41-3/16"	42-3/16"

**NOTE:** Minimum hood distance above cooktop must not be less than 24".  
 A maximum of 30" above the cooktop is highly recommended for best capture of cooking impurities.  
 Distances over 30" are at the installer and users' discretion; and if ceiling height and flue length permit.



BEST BY BROAN P.O. BOX 140 HARTFORD, WISCONSIN 53027