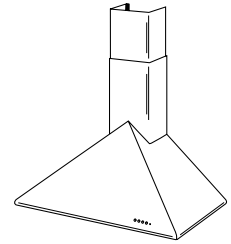


K29 SERIES RANGE HOODS



The compelling simplicity of the classic pyramid shape unites with our hand-rolled, seamless-look construction to create a striking wall-mounted design.

FEATURES

- Italian design
- Wall mount
- Finishes: 430 Stainless Steel, White, Black
- Widths: 90cm (35-7/16"), 48"
- Telescopic flue accommodates 8' to 9' ceilings
- 6" round duct connector/backdraft damper
- Convertible to duct-free operation – use recirculating filter and duct-free plenum (purchase separately)
- Halogen lighting (90cm: 2 x 20 watt; 48": 4 x 20 watt, Type JC 12V 20W G4 Base - bulbs included)
- Push button controls: lights and three speeds
- Single centrifugal blower
- Dishwasher-safe aluminum filters
- Heat Sentry™ - automatically turns blower to high speed when excess cooking heat is detected

OPTIONS

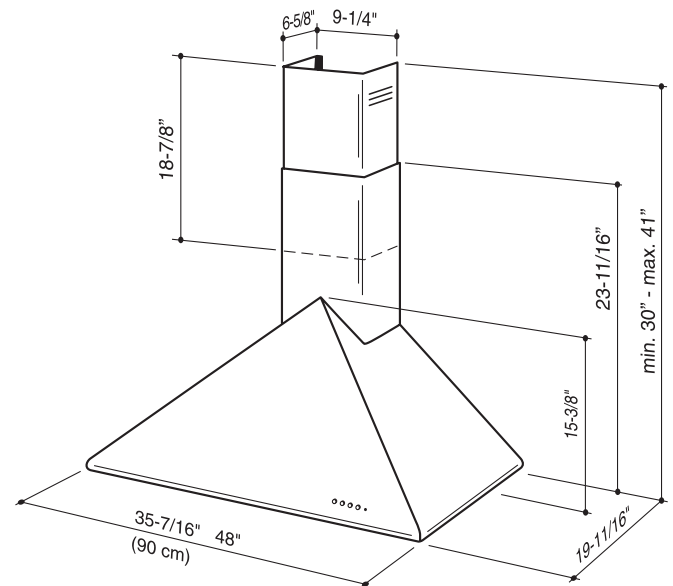
- Backsplash available (Model No. BSK6)
- Flue extension for 10' ceiling (ducted only) (Model No. FEXTK23) (32½" long)
- Recirculating filter (Model No. FILTERK3490CM/ FILTERK3448)
- Duct-free plenum (Part No. SB08089123)
- Replacement grease filters available
- Replacement bulb (Part No. SB02300891)

SPECIFICATIONS

VOLTS	AMPS	CFM	SONES	DUCT
120	3.13/3.56	500	8.5	6" round



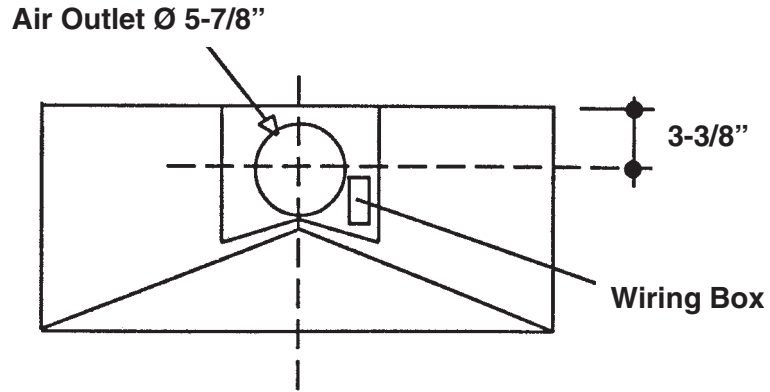
HVI-2100 CERTIFIED RATINGS comply with new testing technologies and procedures prescribed by the Home Ventilating Institute, for off-the-shelf products, as they are available to consumers. Product performance is rated at 0.1 in. static pressure, based on tests conducted in AMCA's state-of-the-art test laboratory. Sones are a measure of humanly-perceived loudness, based on laboratory measurements.



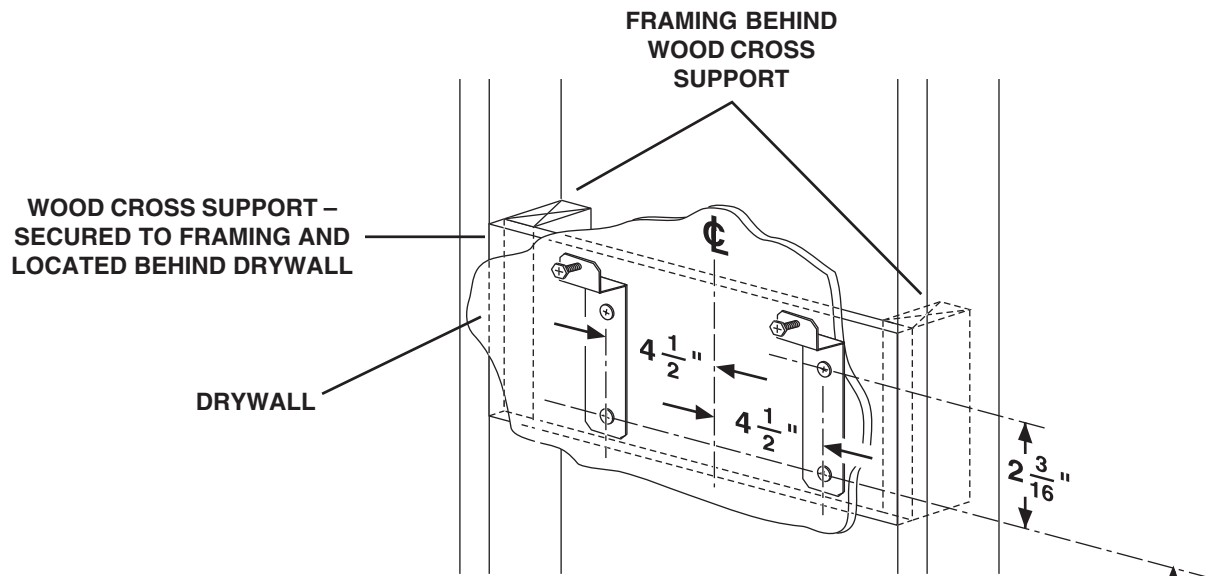
BEST BY BROAN P.O. BOX 140 HARTFORD, WISCONSIN 53027

REFERENCE	QTY.	REMARKS	Project	
			Location	
			Architect	
			Engineer	
			Contractor	
			Submitted by	Date

K29 SERIES WIRING



K29 SERIES MOUNTING



CEILING HEIGHT	DUCT METHOD	HOOD DISTANCE ABOVE 36" HIGH COOK TOP (SEE NOTE BELOW)							
		24"	25"	26"	27"	28"	29"	30"	31"
		MOUNTING BRACKET LOCATION ABOVE 36" HIGH COOK TOP							
8 FEET	DUCTED OR NON DUCTED	28-1/4"	29-1/4"	30-1/4"	31-1/4"	32-1/4"	33-1/4"	34-1/4"	
9 FEET	DUCTED OR NON DUCTED								35-1/4"
10 FEET	DUCTED WITH FEXTK23							34-1/4"	35-1/4"

Note: minimum hood distance above cook top must not be less than 24". A maximum of 31" above cook top is highly recommended for best capture of cooking impurities. Distances over 31" are at the installer and users discretion; and if ceiling height and flue length permit.



BEST BY BROAN P.O. BOX 140 HARTFORD, WISCONSIN 53027