

# INSTALLATION INSTRUCTIONS

## 30" (76.2 CM) FREESTANDING GAS RANGES

### INSTRUCTIONS POUR L'INSTALLATION DES CUISINIÈRES

### À GAZ AUTOPORTANTES DE 30" (76,2 CM)

#### Table of Contents

<b>RANGE SAFETY</b> .....	2
<b>INSTALLATION REQUIREMENTS</b> .....	3
Tools and Parts .....	3
Location Requirements .....	3
Electrical Requirements .....	5
Gas Supply Requirements .....	5
<b>INSTALLATION INSTRUCTIONS</b> .....	7
Unpack Range.....	7
Install Anti-Tip Bracket.....	7
Verify Anti-Tip Bracket Location .....	8
Level Range.....	8
Make Gas Connection .....	9
Electronic Ignition System .....	10
Replace Oven Racks and Storage or Warming Drawer .....	11
Complete Installation .....	11
<b>GAS CONVERSIONS</b> .....	12
Convert from Natural Gas to LP Gas.....	12
Replace Oven Racks and Storage or Warming Drawer .....	13
Complete Installation .....	14
Convert from LP Gas to Natural Gas.....	14
Replace Oven Racks and Storage or Warming Drawer .....	15
Complete Installation .....	15
<b>ANTI-TIP BRACKET TEMPLATE</b> .....	32

#### Table des matières

<b>SÉCURITÉ DE LA CUISINIÈRE</b> .....	16
<b>EXIGENCES D'INSTALLATION</b> .....	17
Outillage et pièces .....	17
Emplacement d'installation .....	17
Spécifications électriques.....	19
Spécifications de l'alimentation en gaz.....	19
<b>INSTRUCTIONS D'INSTALLATION</b> .....	21
Déballage de la cuisinière.....	21
Installation de la bride antibasculement.....	21
Vérification de l'emplacement de la bride antibasculement .....	22
Mise à niveau de la cuisinière.....	22
Raccordement à la canalisation de gaz .....	23
Système d'allumage électronique .....	24
Réinstallation des grilles du four et du tiroir de remisage ou du tiroir-réchaud.....	26
Achever l'installation.....	26
<b>CONVERSIONS POUR CHANGEMENT DE GAZ</b> .....	26
Conversion de Gaz naturel à Propane .....	26
Réinstallation des grilles du four et du tiroir de remisage ou du tiroir-réchaud.....	28
Achever l'installation.....	28
Conversion de Propane à Gaz naturel .....	29
Réinstallation des grilles du four et du tiroir de remisage ou du tiroir-réchaud.....	30
Achever l'installation.....	30
<b>GABARIT POUR LA BRIDE ANTIBASCULEMENT</b> .....	32

#### IMPORTANT:

Save for local electrical inspector's use.

**Installer:** Leave installation instructions with the homeowner.

**Homeowner:** Keep installation instructions for future reference.

#### IMPORTANT :

À conserver pour consultation par l'inspecteur local des installations électriques.

**Installateur :** Remettre les instructions d'installation au propriétaire.

**Propriétaire :** Conserver les instructions d'installation pour référence ultérieure.

# RANGE SAFETY

## Your safety and the safety of others are very important.

We have provided many important safety messages in this manual and on your appliance. Always read and obey all safety messages.



This is the safety alert symbol.

This symbol alerts you to potential hazards that can kill or hurt you and others.

All safety messages will follow the safety alert symbol and either the word "DANGER" or "WARNING."

These words mean:

**⚠ DANGER**

You can be killed or seriously injured if you don't immediately follow instructions.

**⚠ WARNING**

You can be killed or seriously injured if you don't follow instructions.

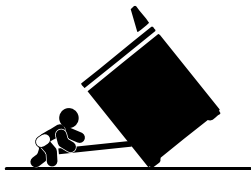
All safety messages will tell you what the potential hazard is, tell you how to reduce the chance of injury, and tell you what can happen if the instructions are not followed.

**WARNING: If the information in this manual is not followed exactly, a fire or explosion may result causing property damage, personal injury or death.**

- Do not store or use gasoline or other flammable vapors and liquids in the vicinity of this or any other appliance.
- **WHAT TO DO IF YOU SMELL GAS:**
  - Do not try to light any appliance.
  - Do not touch any electrical switch.
  - Do not use any phone in your building.
  - Immediately call your gas supplier from a neighbor's phone. Follow the gas supplier's instructions.
  - If you cannot reach your gas supplier, call the fire department.
- Installation and service must be performed by a qualified installer, service agency or the gas supplier.

In the State of Massachusetts, the following installation instructions apply:

- Installations and repairs must be performed by a qualified or licensed contractor, plumber, or gasfitter qualified or licensed by the State of Massachusetts.
- If using a ball valve, it shall be a T-handle type.
- A flexible gas connector, when used, must not exceed 3 feet.



**⚠ WARNING**

### Tip Over Hazard

A child or adult can tip the range and be killed.

Connect anti-tip bracket to rear range foot.

Reconnect the anti-tip bracket, if the range is moved.

Failure to follow these instructions can result in death or serious burns to children and adults.

# INSTALLATION REQUIREMENTS

## Tools and Parts

Gather the required tools and parts before starting installation. Read and follow the instructions provided with any tools listed here.

### Tools needed

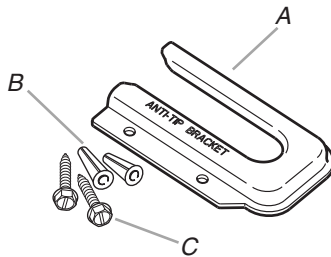
- Tape measure
- Flat-blade screwdriver
- Phillips screwdriver
- Level
- Hand or electric drill
- Hammer
- Channel lock pliers
- Pipe wrench
- 1<sup>5</sup>/<sub>16</sub>" combination wrench
- 3/8" drive ratchet
- 3/8" nut driver
- 1/8" (3.2 mm) drill bit (for wood floors)
- Marker or pencil
- Masking tape
- Pipe-joint compound resistant to LP gas
- 3/16" (4.8 mm) carbide-tipped masonry drill bit (for concrete/ceramic floors)
- Noncorrosive leak-detection solution

### For LP/Natural Gas Conversions

- 1/2" combination wrench
- 5/8" combination wrench
- 5/16" nut driver
- Quadrex<sup>®†</sup> or Phillips screwdriver

### Parts supplied

Check that all parts are included.



A. Anti-tip bracket  
B. Plastic anchors (2)  
C. #10 x 1/2" screws (2)

- Brackets must be securely mounted to subfloor. Thickness of flooring may require longer screws to anchor bracket to subfloor. Longer screws are available from your local hardware store.

### Parts needed

Check local codes and consult gas supplier. Check existing gas supply and electrical supply. See "Electrical Requirements" and "Gas Supply Requirements" sections.

## Location Requirements

**IMPORTANT:** Observe all governing codes and ordinances. Do not obstruct flow of combustion and ventilation air.

- It is the installer's responsibility to comply with installation clearances specified on the model/serial rating plate. The model/serial rating plate is located on the oven frame behind the storage drawer panel.
- The range should be located for convenient use in the kitchen.
- Recessed installations must provide complete enclosure of the sides and rear of the range.
- To eliminate the risk of burns or fire by reaching over heated surface units, cabinet storage space located above the surface units should be avoided. If cabinet storage is to be provided, the risk can be reduced by installing a range hood that projects horizontally a minimum of 5" (12.7 cm) beyond the bottom of the cabinets.
- All openings in the wall or floor where range is to be installed must be sealed.
- Do not seal the range to the side cabinets.
- Cabinet opening dimensions that are shown must be used. Given dimensions are minimum clearances.
- The floor anti-tip bracket must be installed. To install the anti-tip bracket shipped with the range, see "Install Anti-Tip Bracket" section.
- Grounded electrical supply is required. See "Electrical Requirements" section. Proper gas supply connection must be available. See "Gas Supply Requirements" section.
- Contact a qualified floor covering installer to check that the floor covering can withstand at least 200°F (93°C).
- Use an insulated pad or 1/4" (0.64 cm) plywood under range if installing range over carpeting.

**IMPORTANT:** Some cabinet and building materials are not designed to withstand the heat produced by the oven for baking and self-cleaning. Check with your builder or cabinet supplier to make sure that the materials used will not discolor, delaminate or sustain other damage.

### Mobile Home - Additional Installation Requirements

The installation of this range must conform to the Manufactured Home Construction and Safety Standard, Title 24 CFR, Part 3280 (formerly the Federal Standard for Mobile Home Construction and Safety, Title 24, HUD Part 280). When such standard is not applicable, use the Standard for Manufactured Home Installations, ANSI A225.1/NFPA 501A or with local codes.

In Canada, the installation of this range must conform with the current standards CAN/CSA-A240-latest edition, or local codes.

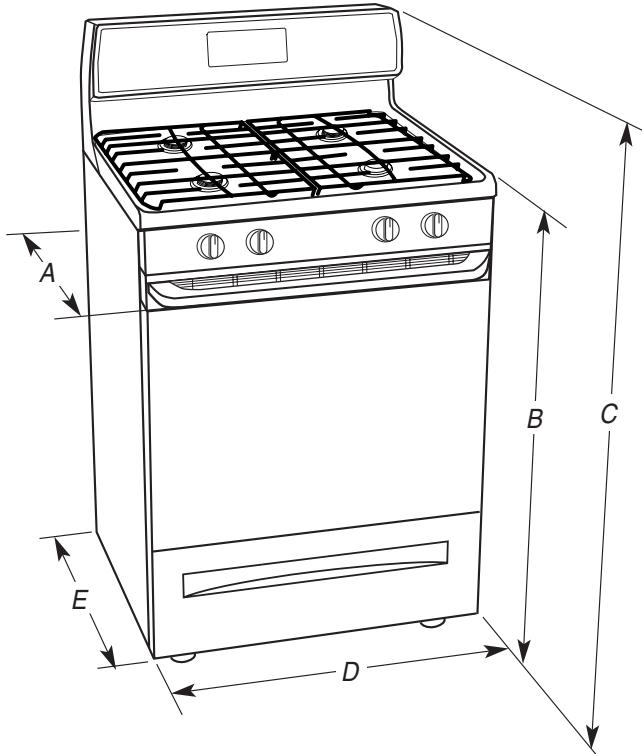
### Mobile home installations require:

- When this range is installed in a mobile home, it must be secured to the floor during transit. Any method of securing the range is adequate as long as it conforms to the standards listed above.

† © QUADREX is a registered trademark of Quadrex Consulting, Inc.

## Product Dimensions

### Freestanding Range

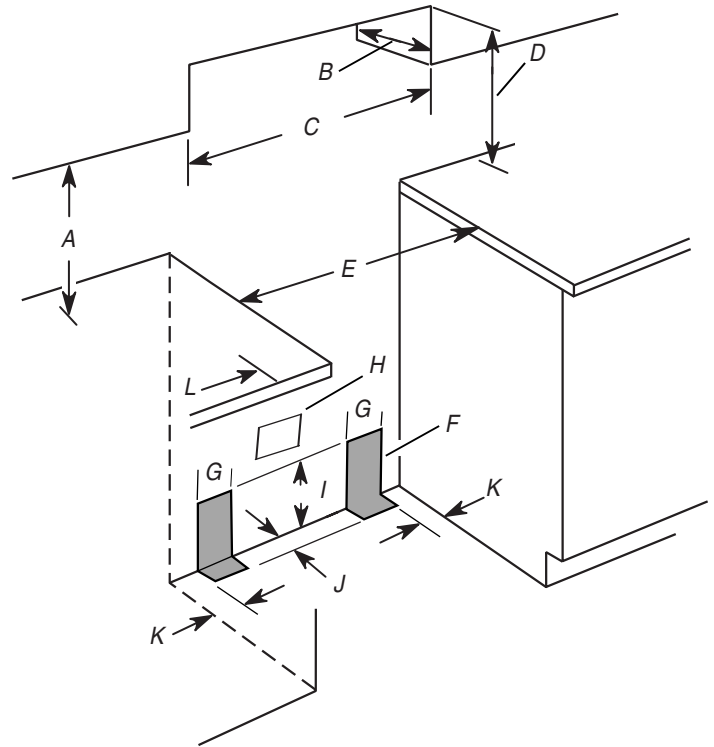


- A. 27 $\frac{1}{8}$ " (68.9 cm) depth with handle
- B. 36" (91.4 cm) cooktop height
- C. 46 $\frac{7}{8}$ " (119.1 cm) overall height
- D. 29 $\frac{7}{8}$ " (75.9 cm) width
- E. 25" (63.5 cm)

## Installation Clearances

Cabinet opening dimensions shown are for 25" (64 cm) countertop depth, 24" (61 cm) base cabinet depth and 36" (91.4 cm) countertop height.

If the cabinet depth is greater than 24" (61 cm), oven frame must extend beyond cabinet fronts by  $\frac{1}{2}$ " (13 mm) minimum.



- A. 18" (45.7 cm) upper side cabinet to countertop
- B. 13" (33 cm) max. upper cabinet depth
- C. 30" (76.2 cm) min. opening width
- D. For minimum clearance to top of cooktop, see NOTE\*.
- E. 30 $\frac{3}{8}$ " (76.5 cm) min. opening width
- F. This shaded area recommended for installation of rigid gas pipe.
- G. 8" (20.3 cm)
- H. Grounded outlet
- I. 17" (43.2 cm)
- J. 4 $\frac{1}{2}$ " (11.4 cm)
- K. 2" (5.1 cm)
- L. 2" (5.1 cm) min. clearance from both sides of range to side wall or other combustible material.

**\*NOTE:** 24" (61 cm) minimum when bottom of wood or metal cabinet is protected by not less than  $\frac{1}{4}$ " (0.64 cm) flame retardant millboard covered with not less than No. 28 MSG sheet steel, 0.015" (0.4 mm) stainless steel, 0.024" (0.6 mm) aluminum or 0.020" (0.5 mm) copper.

30" (76.2 cm) minimum clearance between the top of the cooking platform and the bottom of an unprotected wood or metal cabinet.

If installing a hood above the range, follow the hood instructions for dimensional clearances above the cooktop surface.

## Electrical Requirements

### **⚠ WARNING**



#### Electrical Shock Hazard

Plug into a grounded 3 prong outlet.

Do not remove ground prong.

Do not use an adapter.

Do not use an extension cord.

Failure to follow these instructions can result in death, fire, or electrical shock.

**IMPORTANT:** The range must be electrically grounded in accordance with local codes and ordinances, or in the absence of local codes, with the National Electrical Code, ANSI/NFPA 70 or Canadian Electrical Code, CSA C22.1.

This range is equipped with an electronic ignition system that will not operate if plugged into an outlet that is not properly polarized.

If codes permit and a separate ground wire is used, it is recommended that a qualified electrical installer determine that the ground path is adequate.

A copy of the above code standards can be obtained from:

National Fire Protection Association  
One Batterymarch Park  
Quincy, MA 02269

CSA International  
8501 East Pleasant Valley Road  
Cleveland, OH 44131-5575

- A 120 volt, 60 Hz., AC only, 15-amp fused, electrical circuit is required. A time-delay fuse or circuit breaker is also recommended. It is recommended that a separate circuit serving only this range be provided.
- Electronic ignition systems operate within wide voltage limits, but proper grounding and polarity are necessary. Check that the outlet provides 120-volt power and is correctly grounded.
- The wiring diagram is located on the underside of the storage drawer or below the warming drawer in a clear plastic bag.

**NOTE:** The metal chassis of the range must be grounded in order for the control panel to work. If the metal chassis of the range is not grounded, no keypads will operate. Check with a qualified electrician if you are in doubt as to whether the metal chassis of the range is grounded.

## Gas Supply Requirements

### **⚠ WARNING**



#### Explosion Hazard

Use a new CSA International approved gas supply line.

Install a shut-off valve.

Securely tighten all gas connections.

If connected to LP, have a qualified person make sure gas pressure does not exceed 14" (36 cm) water column.

Examples of a qualified person include:

licensed heating personnel,  
authorized gas company personnel, and  
authorized service personnel.

Failure to do so can result in death, explosion, or fire.

Observe all governing codes and ordinances.

**IMPORTANT:** This installation must conform with all local codes and ordinances. In the absence of local codes, installation must conform with American National Standard, National Fuel Gas Code ANSI Z223.1 - latest edition or CAN/CGA B149 - latest edition.

### Type of Gas

#### Natural gas:

This range is design-certified by CSA International for use with Natural gas or, after proper conversion, for use with LP gas.

- This range is factory set for use with Natural gas. See "Gas Conversions" section. The model/serial rating plate located on the frame behind the storage drawer has information on the types of gas that can be used. If the types of gas listed do not include the type of gas available, check with the local gas supplier.

#### LP gas conversion:

Conversion must be done by a qualified service technician.

No attempt shall be made to convert the appliance from the gas specified on the model/serial rating plate for use with a different gas without consulting the serving gas supplier. See "Gas Conversions" section.

---

## Gas Supply Line

---

- Provide a gas supply line of 3/4" (1.9 cm) rigid pipe to the range location. A smaller size pipe on longer runs may result in insufficient gas supply. Pipe-joint compounds that resist the action of LP gas must be used. Do not use TEFLON<sup>†</sup> tape. With LP gas, piping or tubing size can be 1/2" (1.3 cm) minimum. Usually, LP gas suppliers determine the size and materials used in the system.

### Flexible metal appliance connector:

- If local codes permit, a new CSA design-certified, 4 - 5 ft (122 - 152.4 cm) long, 1/2" (1.3 cm) or 3/4" (1.9 cm) I.D., flexible metal appliance connector may be used for connecting range to the gas supply line.



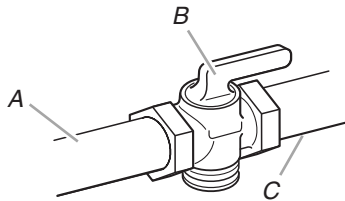
- A 1/2" (1.3 cm) male pipe thread is needed for connection to the female pipe threads of the inlet to the appliance pressure regulator.
- Do not kink or damage the flexible metal tubing when moving the range.

### Rigid pipe connection:

The rigid pipe connection requires a combination of pipe fittings to obtain an in-line connection to the range. The rigid pipe must be level with the range connection. All strains must be removed from the supply and fuel lines so range will be level and in line.



- Must include a shutoff valve:  
The supply line must be equipped with a manual shutoff valve. This valve should be located in the same room but external to the range. It should be in a location that allows ease of opening and closing. Do not block access to shutoff valve. The valve is for turning on or shutting off gas to the range.



A. Gas supply line  
B. Shutoff valve "open" position  
C. To range

---

## Gas Pressure Regulator

---

The gas pressure regulator supplied with this range must be used. The inlet pressure to the regulator should be as follows for proper operation:

### Natural gas:

Minimum pressure: 5" WCP

Maximum pressure: 14" WCP

### LP gas:

Minimum pressure: 11" WCP

Maximum pressure: 14" WCP

Contact local gas supplier if you are not sure about the inlet pressure.

---

## Burner Input Requirements

---

Input ratings shown on the model/serial rating plate are for elevations up to 2,000 ft (609.6 m).

For elevations above 2,000 ft (609.6 m), ratings are reduced at a rate of 4% for each 1,000 ft (304.8 m) above sea level (not applicable for Canada).

---

## Gas Supply Pressure Testing

---

### Line pressure testing above 1/2 psi gauge (14" WCP)

The range and its individual manual shutoff valve must be disconnected from the gas supply piping system during any pressure testing of that system at test pressures greater than 1/2 psi (3.5 kPa).

### Line pressure testing at 1/2 psi gauge (14" WCP) or lower

The range must be isolated from the gas supply piping system by closing its individual manual shutoff valve during any pressure testing of that system at test pressures equal to or less than 1/2 psi (3.5 kPa).

<sup>†</sup>TEFLON is a registered trademark of E.I. Du Pont De Nemours and Company.

# INSTALLATION INSTRUCTIONS

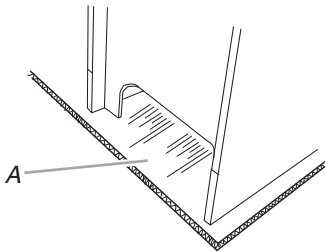
## Unpack Range

### **⚠️ WARNING**

#### **Excessive Weight Hazard**

**Use two or more people to move and install range.  
Failure to do so can result in back or other injury.**

1. Remove shipping materials, tape and protective film from range. Remove oven racks and parts package from inside oven.
2. Do not remove the shipping base at this time.



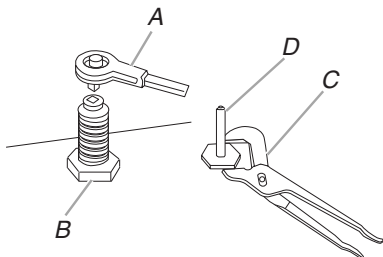
A. Shipping base

### **3. On Ranges Equipped with Storage Drawers:**

Remove the storage drawer. Use a  $\frac{3}{8}$ " drive ratchet to lower the rear leveling legs one-half turn. Use channel lock pliers to lower front leveling legs one-half turn.

### **On Ranges Equipped with Warming Drawers:**

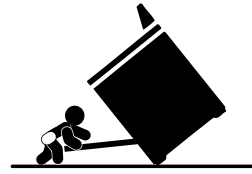
Use channel lock pliers to lower the front and rear leveling legs one-half turn.



A.  $\frac{3}{8}$ " drive ratchet  
B. Rear leveling leg  
C. Channel lock pliers  
D. Front leveling leg

## Install Anti-Tip Bracket

### **⚠️ WARNING**



#### **Tip Over Hazard**

**A child or adult can tip the range and be killed.**

**Connect anti-tip bracket to rear range foot.**

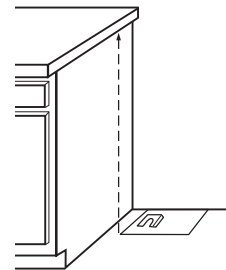
**Reconnect the anti-tip bracket, if the range is moved.**

**Failure to follow these instructions can result in death  
or serious burns to children and adults.**

Contact a qualified floor covering installer for the best procedure for drilling mounting holes through your type of floor covering.

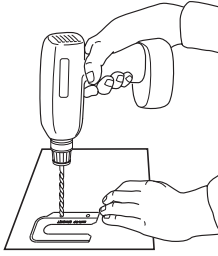
Before moving range, slide range onto shipping base, cardboard or hardboard.

1. Remove template from the anti-tip bracket kit (found inside the oven cavity) or from the back of this manual.
2. Place template on the floor in cabinet opening so that the left edge is against cabinet and top edge is against rear wall, molding or cabinet.
3. Tape template into place.
4. If countertop is not flush with cabinet opening edge, align template with overhang.



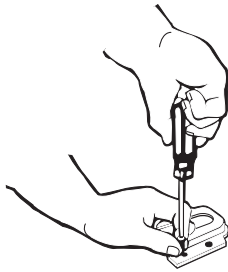
If cabinet opening is wider than that specified in the "Location Requirements" section, adjust template so range will be centered in cabinet opening.

- To mount anti-tip bracket to wood floor, drill two  $\frac{1}{8}$ " (3.2 mm) holes at the positions marked on the bracket template. Remove template from floor.



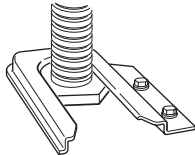
To mount anti-tip bracket to concrete or ceramic floor, use a  $\frac{3}{16}$ " (4.8 mm) masonry drill bit to drill 2 holes at the positions marked on the bracket template. Remove template from floor.

- Tap plastic anchors into holes with a hammer.
- Align anti-tip bracket holes with holes in floor. Fasten anti-tip bracket with screws provided.



Depending on the thickness of your flooring, longer screws may be necessary to anchor the bracket to the subfloor. Longer screws are available from your local hardware store.

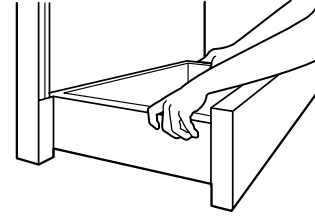
- Move range close to opening. Remove shipping base, cardboard or hardboard from under range.
- Move range into its final location making sure rear leveling leg slides into anti-tip bracket.



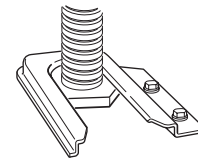
- If installing the range in a mobile home, you must secure the range to the floor. Any method of securing the range is adequate as long as it conforms to the standards in the "Location Requirements" section.
- Continue installing your range using the following installation instructions.

## Verify Anti-Tip Bracket Location

- Pull drawer open to first stop position. Lift front of drawer to clear white wheels in drawer guides. Remove drawer and set it aside on a protected surface. See the Use and Care Guide for the model drawer removal.



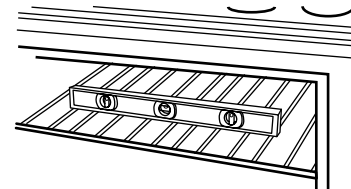
- Making sure the anti-tip bracket is installed:
  - Look for the anti-tip bracket securely attached to floor.
  - Slide range back so rear range foot is under anti-tip bracket.



- If installing the range in a mobile home, you must secure the range to the floor. Any method of securing the range is adequate as long as it conforms to the standards in the "Location Requirements" section.

## Level Range

Place rack in oven. Place level on rack and check levelness of the range, first side to side; then front to back.



If range is not level, pull range forward until rear leveling leg is removed from the anti-tip bracket. Use  $\frac{3}{8}$ " drive ratchet and channel lock pliers to adjust leveling legs up or down until range is level. Push range back into position. Check that rear leveling leg is engaged in anti-tip bracket.

**NOTE:** Oven must be level for satisfactory baking performance.

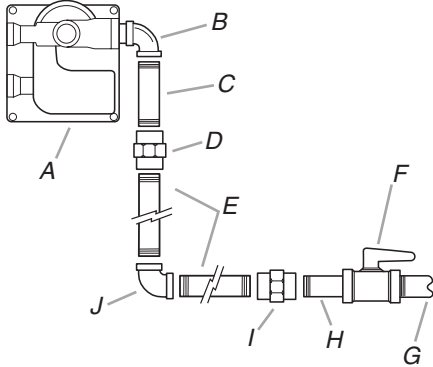


# Make Gas Connection

## Typical rigid pipe connection

A combination of pipe fittings must be used to connect the range to the existing gas line. Your connections may be different, according to the supply line type, size and location.

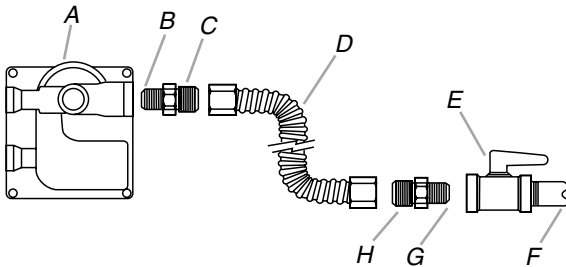
1. Apply pipe-joint compound made for use with LP gas to all pipe thread connections.
2. Using a pipe wrench to tighten, connect the gas supply to the range.



- |  |                             |
|--|-----------------------------|
| A. Gas pressure regulator                      | F. Manual gas shutoff valve |
| B. 90° elbow (must have 1/2" male pipe thread) | G. 1/2" or 3/4" gas pipe    |
| C. Nipple                                      | H. Nipple                   |
| D. Union                                       | I. Union                    |
| E. Black iron pipe                             | J. 90° elbow                |

## Typical flexible connection

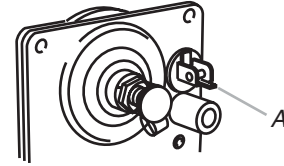
1. Apply pipe-joint compound made for use with LP gas to the smaller thread ends of the flexible connector adapters (see B and G in following illustration).
2. Attach one adapter to the gas pressure regulator and the other adapter to the gas shutoff valve. Tighten both adapters.
3. Use a 15/16" combination wrench and channel lock pliers to attach the flexible connector to the adapters. Check that connector is not kinked.



- |  |                             |
|--|-----------------------------|
| A. Gas pressure regulator                    | E. Manual gas shutoff valve |
| B. Use pipe-joint compound                   | F. 1/2" or 3/4" gas pipe    |
| C. Adapter (must have 1/2" male pipe thread) | G. Use pipe-joint compound  |
| D. Flexible connector                        | H. Adapter                  |

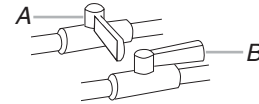
## Complete Connection

1. Check that the gas pressure regulator shutoff valve is in the "on" position.



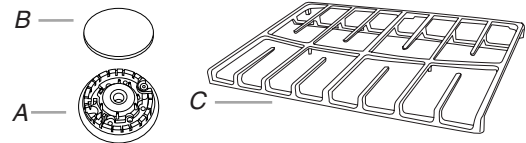
A. Gas pressure regulator shutoff valve

2. Open the manual shutoff valve in the gas supply line. The valve is open when the handle is parallel to the gas pipe.



A. Closed valve  
B. Open valve

3. Test all connections by brushing on an approved noncorrosive leak-detection solution. If bubbles appear, a leak is indicated. Correct any leak found.
4. Remove cooktop burner caps and grates from parts package. Burner caps should be level when properly positioned. If burner caps are not properly positioned, surface burners will not light. Place burner grates over burners and caps.



A. Burner base  
B. Burner cap  
C. Burner grate

## ⚠ WARNING



### Electrical Shock Hazard

**Plug into a grounded 3 prong outlet.**

**Do not remove ground prong.**

**Do not use an adapter.**

**Do not use an extension cord.**

**Failure to follow these instructions can result in death, fire, or electrical shock.**

5. Plug into a grounded 3 prong outlet.

# Electronic Ignition System

## Initial lighting and gas flame adjustments

Cooktop and oven burners use electronic igniters in place of standing pilots. When the cooktop control knob is turned to the "LITE" position, the system creates a spark to light the burner. This sparking continues, as long as the control knob is turned to "LITE."

When the oven control is turned to the desired setting, sparking occurs and ignites the gas.

## Check Operation of Cooktop Burners

### Standard Surface Burners

Push in and turn each control knob to the "LITE" position.

The flame should light within 4 seconds. The first time a burner is lighted it may take longer than 4 seconds to light because of air in the gas line.

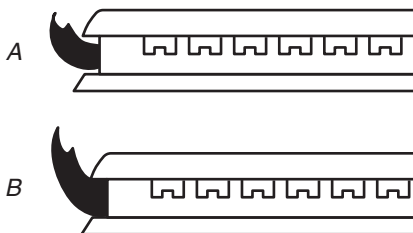
### If burners do not light properly:

- Turn cooktop control knob to the "OFF" position.
- Check that the range is plugged in. Check that the circuit breaker has not tripped or the household fuse has not blown.
- Check that the gas shutoff valves are set to the "open" position.
- Check that burner caps are properly positioned on burner bases.

Repeat start-up. If a burner does not light at this point, contact your dealer or authorized service company for assistance.

## Adjust Flame Height

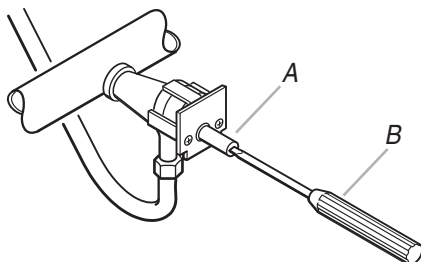
Adjust the height of top burner flames. The cooktop "low" burner flame should be a steady blue flame approximately 1/4" (0.64 cm) high.



A. Low flame  
B. High flame

### If the "low" flame needs to be adjusted:

The flame can be adjusted using the adjustment screw in the center of the valve stem. The valve stem is located directly underneath the control knob.

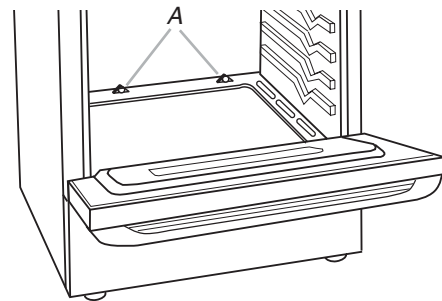


A. Control knob stem  
B. Screwdriver

1. Remove the control knob.
2. Hold the knob stem with a pair of pliers. Use a small flat-blade screwdriver to turn the screw located in the center of the control knob stem until the flame is the proper size.
3. Replace the control knob.
4. After lighting, test the flame by turning the control from "LO" to "HI," checking the flame at each setting.

## Check Operation of Oven Bake Burner

1. Remove the oven rack.
2. To remove the oven bottom: Remove 2 screws at the rear of the oven bottom. Lift the rear of the oven bottom up and back until the front of the panel is away from the front frame. Remove from oven and place the cover on a protected surface.



A. Screws

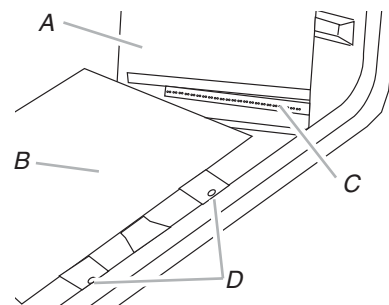
3. You can check the burner flame by removing the flame spreader or by using a mirror.

### Remove flame spreader:

Remove 2 screws from the front tabs of the flame spreader. Lift front of the flame spreader and pull forward to remove tabs from rear of oven.

### Using a mirror:

Insert a mirror to one side of the burner. Look into the mirror to check flame.



A. Mirror  
B. Flame spreader  
C. Flame reflection  
D. 2 screws

4. Push the BAKE pad.
5. Press the START pad.

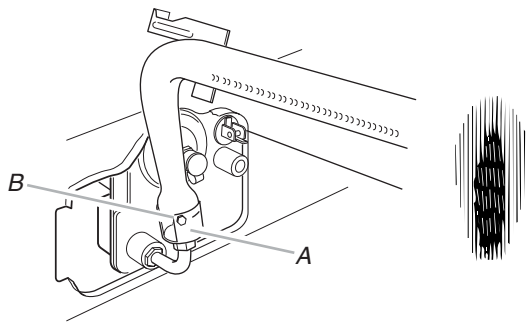
The oven bake burner should light within 8 seconds, under certain conditions it may take the burner up to 50 to 60 seconds to light. Electronic igniters are used to light the bake and broil burners. Refer to the Use and Care Guide for proper operation of the oven controls.

---

### Adjust Oven Bake Burner Flame (if needed)

---

1. On models with a warming drawer, remove access cover plate (1 screw) located at the back of the warming drawer compartment.
2. Check the oven bake burner for proper flame.  
This flame should have a ½" (1.3 cm) long inner cone of bluish-green, with an outer mantle of dark blue, and should be clean and soft in character. No yellow tips, blowing or lifting of flame should occur.
3. If the oven bake flame needs to be adjusted, locate the air shutter near the center rear of the range. Loosen the locking screw and rotate the air shutter until the proper flame appears. Tighten locking screw.



A. Air shutter  
B. Locking screw

4. Push CANCEL/OFF pad.
5. Reinstall flame spreader and oven bake burner cover.

---

### Check Operation of Oven Broil Burner

---

1. Close the oven door.
2. Press the BROIL pad.
3. Press the START pad.

The oven burner should light within 8 seconds; under certain conditions it may take the burner up to 50 to 60 seconds to light. Refer to the Use and Care Guide for proper operation of the oven controls.

---

### Adjust Oven Broil Burner Flame (if needed)

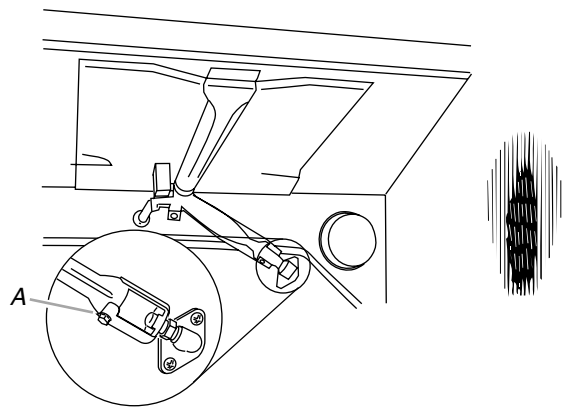
---

Look through oven window to check broil burner for proper flame. This flame should have a ½" (1.3 cm) long inner cone of bluish-green, with an outer mantle of dark blue, and should be clean and soft in character. No yellow tips, blowing or lifting of flame should occur.

#### If flame needs to be adjusted:

1. Loosen the lock screw on the air shutter located at the rear of the broil burner.
2. Adjust the air shutter as needed.

3. Tighten lock screw.



A. Lock screw

---

### Replace Oven Racks and Storage or Warming Drawer

Replace oven racks in oven cavity. Insert storage drawer or warming drawer into slide rails on sides of drawer opening. Lift front of drawer slightly and push firmly to close drawer.

---

### Complete Installation

1. Be sure to check all parts are now installed. If there is an extra part, go back through the steps to see which step was skipped.
2. Be sure to check you have all of your tools.
3. Dispose of/recycle all packaging materials.
4. Be sure to check that the range is level. See "Level Range."
5. Use a mild solution of liquid household cleaner and warm water to remove waxy residue caused by protective shipping material. Dry thoroughly with a soft cloth. For more information, see the "Range Care" section of the Use and Care Guide.
6. Read "Range Use" in the Use and Care Guide.
7. Plug into a grounded 3 prong outlet.
8. Turn on surface burners and oven. See the Use and Care Guide for specific instruction on range operation.

#### If range does not operate, check the following:

- Household fuse is intact and tight; or circuit breaker has not tripped.
  - Range is plugged into a grounded 3 prong outlet.
  - Electrical supply is connected.
  - See "Troubleshooting" in the Use and Care Guide.
9. When the range has been on for 5 minutes, check for heat. If range is cold, turn the range off and check that the gas supply line shutoff valve is open.
    - If the gas supply line shutoff valve is closed, open it, then repeat the 5-minute test as outlined above.
    - If the gas supply line shutoff valve is open, contact a qualified technician.

# GAS CONVERSIONS

## ⚠️ WARNING



### Explosion Hazard

Use a new CSA International approved gas supply line.

Install a shut-off valve.

Securely tighten all gas connections.

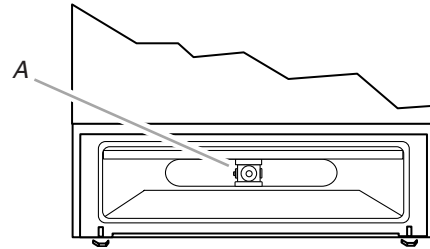
If connected to LP, have a qualified person make sure gas pressure does not exceed 14" (36 cm) water column.

Examples of a qualified person include:  
licensed heating personnel,  
authorized gas company personnel, and  
authorized service personnel.

Failure to do so can result in death, explosion, or fire.

- Remove storage drawer or warming drawer. Locate gas pressure regulator at rear of storage or warming drawer compartment.

**NOTE:** On models with a warming drawer, an access cover must be removed from the gas pressure regulator.



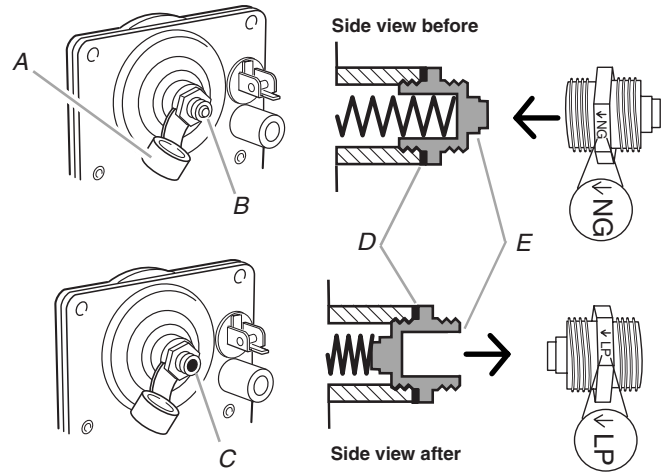
A. Gas pressure regulator

**IMPORTANT:** Do not remove the gas pressure regulator.

### Gas pressure regulator

- Remove plastic cover from gas pressure regulator cap.
- Turn gas pressure regulator cap counterclockwise with a 5/8" combination wrench to remove.

**NOTE:** Do not remove the spring beneath the cap.



- A. Plastic cover
- B. Gas pressure regulator cap with solid end facing out
- C. Gas pressure regulator cap with hollow end facing out
- D. Washer
- E. Gas pressure regulator cap

- Turn over the gas pressure regulator cap and reinstall on regulator so that the hollow end faces out and the marking "<- LP" is facing the direction shown in the above drawing.
- Replace plastic cover over gas pressure regulator cap.

## Convert from Natural Gas to LP Gas

## ⚠️ WARNING



### Tip Over Hazard

A child or adult can tip the range and be killed.

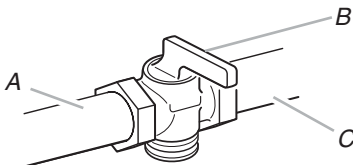
Connect anti-tip bracket to rear range foot.

Reconnect the anti-tip bracket, if the range is moved.

Failure to follow these instructions can result in death or serious burns to children and adults.

### To Convert Gas Pressure Regulator

- Turn the manual shutoff valve to the closed position. Unplug range or disconnect power.

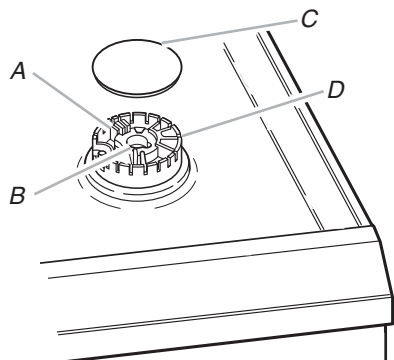


- A. To range
- B. Manual shutoff valve "closed" position
- C. Gas supply line

### To Convert Standard Surface Burners

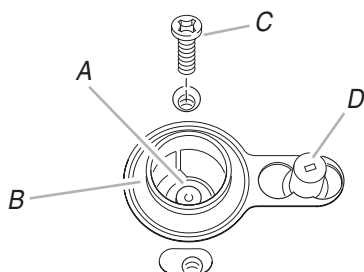
- Remove burner cap.
- Using a Phillips or Quadrex® screwdriver, remove the burner base.

**NOTE:** Reinstall one of the screws through the range cooktop to hold the orifice spud holder in place while removing and replacing the orifice spuds.



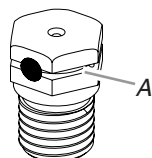
A. Igniter electrode  
B. Gas tube opening  
C. Burner cap  
D. Burner base

3. Apply masking tape to the end of a 5/16" nut driver to help hold the gas orifice spud in the nut driver while changing it. Press nut driver down onto the gas orifice spud and remove by turning it counterclockwise and lifting out. Set gas orifice spud aside.



A. Orifice spud  
B. Orifice spud holder  
C. Screw  
D. Spark electrode

4. Remove the cardboard orifice spud holder located on the back of the range near the gas inlet. Gas orifice spuds are stamped with a number, marked with 1 color dot, and have a groove in the hex area. Replace the Natural gas orifice spud with the correct LP gas orifice spud.



A. Groove

Refer to the following chart for correct LP gas orifice spud placement.

#### LP Gas Orifice Spud Chart for Standard Surface Burners

Burner Rating	Color	Size	ID Number
12,000 BTU	Green/Magenta	1.03 mm	L103
11,000 BTU	Green/Yellow	0.99 mm	L99
8,000 BTU	Green/Lt. Blue	0.80 mm	L80
5,000 BTU	Green/Brown	0.65 mm	L65

**NOTE:** Refer to the Model Number and Serial Number Plate located behind the left side of the storage or warming drawer for proper sizing of spuds for each burner location.

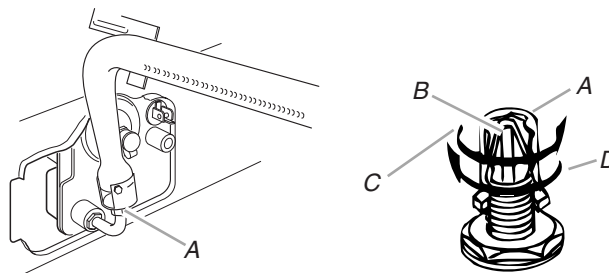
5. Place Natural gas orifice spuds in the cardboard orifice spud holder.
6. Replace the burner base using both screw.
7. Replace burner cap.
8. Repeat steps 1-7 for the remaining burners.

#### To Convert Oven Bake Burner

1. Remove oven racks.
2. Use a 1/2" combination wrench to turn the orifice hood down snug onto pin (about 2 to 2 1/2 turns).

**IMPORTANT:** Do not overtighten.

The oven bake burner flame cannot be properly adjusted if this conversion is not made. See "Adjust Oven Bake Burner Flame" section.



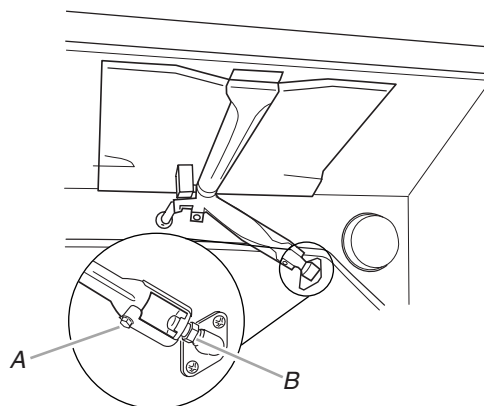
A. Orifice hood  
B. Pin  
C. Natural gas: increase gas - increase flame size (preset at factory for Natural gas)  
D. LP gas: decrease gas - decrease flame size

#### To Convert Oven Broil Burner

Use a 1/2" combination wrench to turn the orifice hood down snug onto the pin (about 2 to 2 1/2 turns).

**IMPORTANT:** Do not overtighten.

The oven broil burner flame cannot be properly adjusted if this conversion is not made. See "Adjust Oven Broil Burner Flame" section.



A. Lock screw  
B. Orifice hood

## Replace Oven Racks and Storage or Warming Drawer

Replace oven racks in oven cavity. Insert storage drawer or warming drawer into slide rails on sides of drawer opening. Lift front of drawer slightly and push firmly to close drawer.

## Complete Installation

1. Refer to the "Make Gas Connection" section for properly connecting the range to the gas supply.
2. Refer to the "Electronic Ignition System" section for proper burner ignition, operation, and burner flame adjustments.

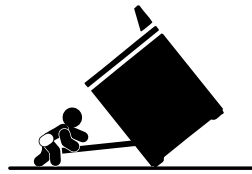
**IMPORTANT:** You may have to adjust the "LO" setting for each cooktop burner.

Checking for proper cooktop, bake and broil burner flame is very important. The small inner cone should have a very distinct blue flame  $\frac{1}{4}$ " (0.64 cm) to  $\frac{1}{2}$ " (1.3 cm) long. The outer cone is not as distinct as the inner cone. LP gas flames have a slightly yellow tip.

3. Refer to "Complete Installation" in the "Installation Instructions" section of this manual to complete this procedure.

## Convert from LP Gas to Natural Gas

### **WARNING**



#### Tip Over Hazard

A child or adult can tip the range and be killed.

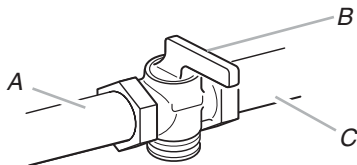
Connect anti-tip bracket to rear range foot.

Reconnect the anti-tip bracket, if the range is moved.

Failure to follow these instructions can result in death or serious burns to children and adults.

### To Convert Gas Pressure Regulator

1. Turn the manual shutoff valve to the closed position. Unplug range or disconnect power.



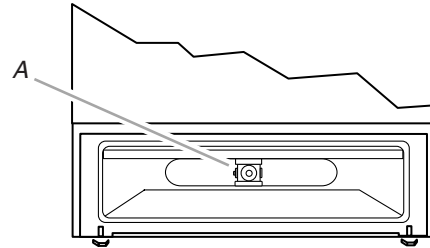
A. To range

B. Manual shutoff valve "closed" position

C. Gas supply line

2. Remove storage drawer or warming drawer. Locate gas pressure regulator at rear of storage or warming drawer compartment.

**NOTE:** On models with a warming drawer, an access cover must be removed from the gas pressure regulator.



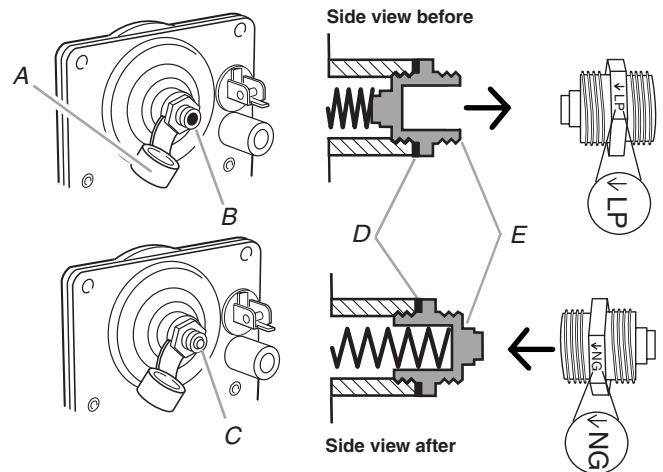
A. Gas pressure regulator

**IMPORTANT:** Do not remove the gas pressure regulator.

#### Gas pressure regulator

3. Remove plastic cover from gas pressure regulator cap.
4. Turn gas pressure regulator cap counterclockwise with a  $\frac{3}{8}$ " combination wrench to remove.

**NOTE:** Do not remove the spring beneath the cap.



A. Plastic cover

B. Gas pressure regulator cap with hollow end facing out

C. Gas pressure regulator cap with solid end facing out

D. Washer

E. Gas pressure regulator cap

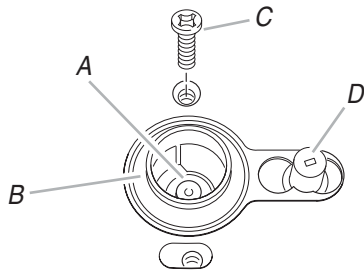
5. Turn over the gas pressure regulator cap and reinstall on regulator so that the solid end faces out and the marking "<- N" is facing the direction shown in the above drawing.
6. Replace plastic cover over gas pressure regulator cap.

### To Convert Standard Surface Burners

1. Remove burner cap.
2. Using a Phillips or Quadrex® screwdriver, remove the burner base.

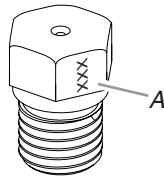
**NOTE:** Reinstall one of the screws through the range cooktop to hold the orifice spud holder in place while removing and replacing the orifice spuds.

- Apply masking tape to the end of a 5/16" nut driver to help hold the gas orifice spud in the nut driver while changing it. Press nut driver down onto the gas orifice spud and remove by turning it counterclockwise and lifting out. Set gas orifice spud aside.



A. Orifice spud  
B. Orifice spud holder  
C. Screw  
D. Spark electrode

- Gas orifice spuds are stamped with a number on the side. Replace the LP gas orifice spud with the correct Natural gas orifice spud.



A. Stamped number

Refer to the following chart for the correct Natural gas orifice spud placement.

#### Natural Gas Orifice Spud Chart for Standard Surface Burners

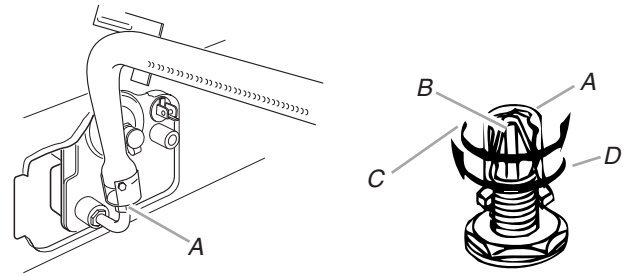
Burner Rating	Color	Size	ID Number
13,500 BTU	Blue/Orange	1.86 mm	N186
12,000/12,500 BTU	Blue/Red	1.76 mm	N176
9,500 BTU	Blue/Brass	1.51 mm	N151
8,000 BTU	Blue/Black	1.39 mm	N139
5,000 BTU	Blue/White	1.12 mm	N112

**NOTE:** Refer to the Model Number and Serial Number Plate located behind the left side of the storage or warming drawer for proper sizing of spuds for each burner location.

- Place LP gas orifice spuds in plastic parts bag for future use and keep with literature package.
- Replace the burner base using both screws.
- Replace burner cap.
- Repeat steps 1-7 for the remaining burners.

#### To Convert Oven Bake Burner

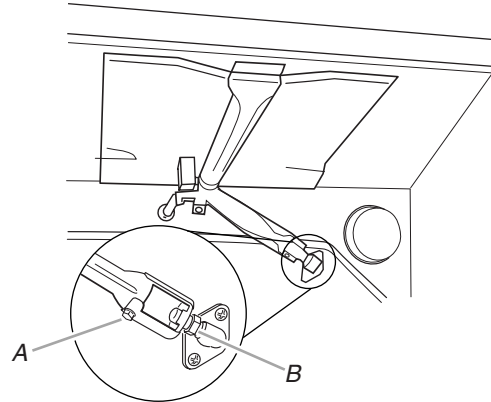
- Remove oven racks.
- Use a 1/2" combination wrench to loosen the orifice hood away from the pin (about 2 to 2 1/2 turns). The oven bake burner flame cannot be properly adjusted if this conversion is not made. See "Adjust Oven Bake Burner Flame" section.



A. Orifice hood  
B. Pin  
C. Natural gas: increase gas - increase flame size (preset at factory for Natural gas).  
D. LP gas: decrease gas - decrease flame size

#### To Convert Oven Broil Burner

Use a 1/2" combination wrench to loosen the orifice hood away from the pin (about 2 to 2 1/2 turns). The oven broil burner flame cannot be properly adjusted if this conversion is not made. See "Adjust Oven Broil Burner Flame" section.



A. Lock screw  
B. Orifice hood

#### Replace Oven Racks and Storage or Warming Drawer

Replace oven racks in oven cavity. Insert storage drawer or warming drawer into slide rails on sides of drawer opening. Lift front of drawer slightly and push firmly to close drawer.

#### Complete Installation

- Refer to the "Make Gas Connection" section for properly connecting the range to the gas supply.
- Refer to the "Electronic Ignition System" section for proper burner ignition, operation, and burner flame adjustments. **IMPORTANT:** You may have to adjust the "LO" setting for each cooktop burner.  
Checking for proper cooktop, bake and broil burner flame is very important. Natural gas flames do not have yellow tips.
- Refer to "Complete Installation" in the "Installation Instructions" section of this manual to complete this procedure.

# SÉCURITÉ DE LA CUISINIÈRE

## Votre sécurité et celle des autres est très importante.

Nous donnons de nombreux messages de sécurité importants dans ce manuel et sur votre appareil ménager. Assurez-vous de toujours lire tous les messages de sécurité et de vous y conformer.



Voici le symbole d'alerte de sécurité.

Ce symbole d'alerte de sécurité vous signale les dangers potentiels de décès et de blessures graves à vous et à d'autres.

Tous les messages de sécurité suivront le symbole d'alerte de sécurité et le mot "DANGER" ou "AVERTISSEMENT". Ces mots signifient :

**⚠ DANGER**

Risque possible de décès ou de blessure grave si vous ne suivez pas immédiatement les instructions.

**⚠ AVERTISSEMENT**

Risque possible de décès ou de blessure grave si vous ne suivez pas les instructions.

Tous les messages de sécurité vous diront quel est le danger potentiel et vous disent comment réduire le risque de blessure et ce qui peut se produire en cas de non-respect des instructions.

**AVERTISSEMENT : Pour votre sécurité, les renseignements dans ce manuel doivent être observés pour réduire au minimum les risques d'incendie ou d'explosion ou pour éviter des dommages au produit, des blessures ou un décès.**

- Ne pas entreposer ni utiliser de l'essence ou d'autres vapeurs ou liquides inflammables à proximité de cet appareil ou de tout autre appareil électroménager.
- QUE FAIRE DANS LE CAS D'UNE ODEUR DE GAZ :
  - Ne pas tenter d'allumer un appareil.
  - Ne pas toucher à un commutateur électrique.
  - Ne pas utiliser le téléphone se trouvant sur les lieux.
  - Appeler immédiatement le fournisseur de gaz d'un téléphone voisin. Suivre ses instructions.
  - À défaut de joindre votre fournisseur de gaz, appeler les pompiers.
- L'installation et l'entretien doivent être effectués par un installateur qualifié, une agence de service ou le fournisseur de gaz.

## ⚠ AVERTISSEMENT

### Risque de basculement

Un enfant ou une personne adulte peut faire basculer la cuisinière ce qui peut causer un décès.

Joindre la bride antibasculement au pied arrière de la cuisinière.

Joindre de nouveau la bride antibasculement si la cuisinière est déplacée.

Le non-respect de ces instructions peut causer un décès ou des brûlures graves aux enfants et aux adultes.





# EXIGENCES D'INSTALLATION

## Outillage et pièces

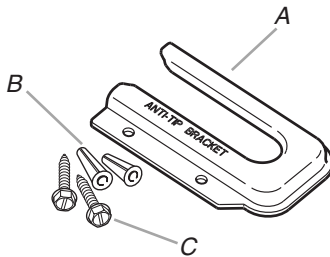
Avant d'entreprendre l'installation, rassembler tous les outils et le matériel nécessaires. Lire et suivre les instructions fournies avec les outils indiqués ici.

### Outillage nécessaire

- Mètre-ruban
  - Tournevis à lame plate
  - Tournevis Phillips
  - Niveau
  - Perceuse manuelle ou électrique
  - Marteau
  - Pince multiprise
  - Clé à tuyauterie
  - Clé mixte 1<sup>5</sup>/<sub>16</sub>"
  - Clé à cliquet 3/8"
  - Tourne-écrou 3/8"
  - Foret de 1/8" (3,2 mm) (pour plancher de bois)
  - Crayon ou marqueur
  - Ruban adhésif de masquage
  - Composé d'étanchéité des raccords filetés - résistant au propane
  - Foret à maçonnerie de 3/16" (4,8 mm) avec pastilles de carbure, pour béton/céramique
  - Solution non corrosive de détection des fuites
- Pour la conversion pour l'alimentation au gaz propane/ gaz naturel**
- Clé mixte 1/2"
  - Clé mixte 5/8"
  - Tourne-écrou 5/16"
  - Tournevis Quadrex<sup>®†</sup> ou Phillips

### Pièces fournies

Vérifier la présence de toutes les pièces.



A. Bride antibasculement  
B. Chevilles de plastique (2)  
C. Vis n° 10 x 1/2" (2)

- Chaque bride doit être solidement fixée au sous-plancher. L'épaisseur du matériau du plancher peut nécessiter l'emploi de vis plus longues pour l'ancrage dans le sous-plancher. Obtenir les vis plus longues nécessaires dans un magasin de quincaillerie local.

### Pièces nécessaires

Consulter les codes locaux en vigueur et le fournisseur de gaz. Déterminer les caractéristiques des sources disponibles d'électricité et gaz. Voir "Spécifications électriques" et "Spécifications de l'alimentation en gaz".

## Emplacement d'installation

**IMPORTANT :** Respecter les dispositions de tous les codes et règlements en vigueur. Ne pas obstruer le flux de combustion et la ventilation.

- C'est à l'installateur qu'incombe la responsabilité de respecter les distances de séparation exigées, spécifiées sur la plaque signalétique de l'appareil. La plaque signalétique de modèle et de série est située sur le cadre du four, derrière le panneau du tiroir de rangement.
- La cuisinière doit être placée de manière à permettre une utilisation pratique dans la cuisine.
- Dans le cas d'une cuisinière encastrée, l'enceinte doit recouvrir complètement les côtés et l'arrière de la cuisinière.
- Afin de minimiser le risque de brûlures ou d'incendie au-dessus de la table de cuisson, on doit éviter d'installer un placard mural. S'il est nécessaire d'installer un placard mural, l'installation d'une hotte de cuisine faisant saillie d'au moins 5" (12,7 cm) au-delà de la façade du placard permettra de minimiser le risque.
- Toutes les ouvertures dans le mur ou le plancher de l'emplacement d'installation de la cuisinière doivent être scellées.
- Ne pas réaliser un scellement entre la cuisinière et les placards latéraux.
- Respecter les dimensions indiquées pour la cavité d'installation entre les placards. Ces dimensions tiennent compte des valeurs minimales des dégagements de séparation.
- La bride antibasculement doit être fixée sur le plancher. Pour l'installation de la bride antibasculement fournie avec la cuisinière, voir la section "Installation de la bride antibasculement".
- Une source d'électricité avec liaison à la terre est nécessaire. Voir la section "Spécifications électriques". Une source de gaz adéquate doit être disponible. Voir la section "Spécifications de l'alimentation en gaz".
- Contacter un installateur de revêtement de sol qualifié, qui pourra déterminer si le revêtement de sol peut résister à une température d'au moins 200°F (93°C).
- Dans le cas de l'installation de la cuisinière par dessus un tapis, placer sous la cuisinière une plaque d'appui isolée, ou une plaque de contreplaqué de 1/4" (0,64 cm).

**IMPORTANT :** Les matériaux de certains placards et certains matériaux de construction ne sont pas conçus pour résister à la chaleur générée par le four durant la cuisson au four ou l'auto-nettoyage. Consulter le constructeur de la maison ou le fabricant des placards pour déterminer si les matériaux utilisés pourraient subir un changement de couleur, une déstratification ou d'autres dommages.

## Résidence mobile - Spécifications additionnelles à respecter lors de l'installation

L'installation de cette cuisinière doit être conforme aux dispositions de la norme Manufactured Home Construction and Safety Standard, Title 24 CFR, Part 3280 (anciennement Federal Standard for Mobile Home Construction and Safety, Title 24, HUD Part 280). Lorsque cette norme n'est pas applicable, l'installation doit satisfaire aux critères de la norme Standard for Manufactured Home Installations, ANSI A225.1/NFPA 501A ou les dispositions des codes locaux.

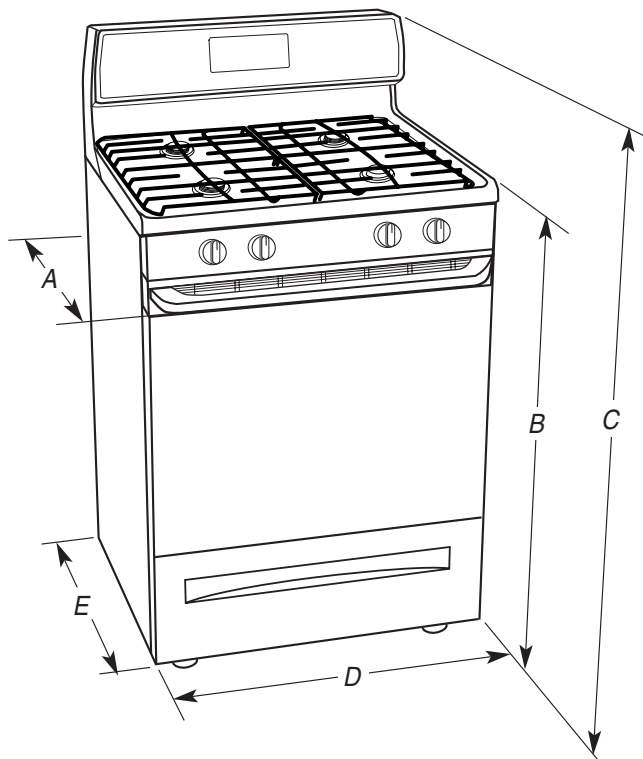
Au Canada, l'installation de cette cuisinière doit satisfaire aux stipulations de la version la plus récente de la norme CAN/CSA-A240, ou des codes locaux en vigueur.

### Critères à respecter pour une installation en résidence mobile :

- Dans le cas de l'installation de cette cuisinière dans une résidence mobile, la cuisinière doit être fixée au plancher durant tout déplacement du véhicule. Toute méthode de fixation de la cuisinière est adéquate dans la mesure où elle satisfait aux critères des normes mentionnées ci-dessus.

## Dimensions de l'appareil

### Cuisinière autonome

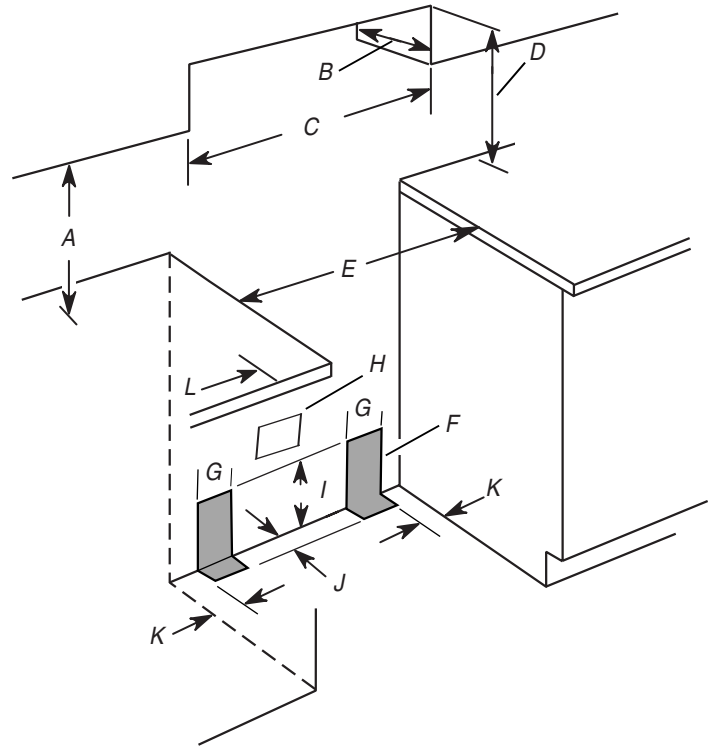


- A. Profondeur avec la poignée 27 $\frac{1}{8}$ " (68,9 cm)
- B. Hauteur de la table de cuisson 36" (91,4 cm)
- C. Hauteur hors-tout 46 $\frac{7}{8}$ " (119,1 cm)
- D. Largeur 29 $\frac{7}{8}$ " (75,9 cm) width
- E. 25" (63,5 cm)

## Dégagements de séparation

Les dimensions de l'espace d'installation entre les placards sont valides pour l'installation entre des placards de 24" (61 cm) avec plan de travail de 25" (64 cm) à hauteur de 36" (91,4 cm).

Si la profondeur du placard est supérieure à 24" (61 cm), le châssis du four doit se prolonger au-delà des façades de placards de 1/2" (13 mm) minimum.



- A. 18" (45,7 cm) entre le placard latéral supérieur et le plan de travail
- B. Profondeur du placard supérieur 13" (33 cm) max.
- C. Largeur de l'ouverture 30" (76,2 cm) min.
- D. Pour le dégagement minimum vers la partie supérieure de la table de cuisson, voir la REMARQUE\*
- E. Largeur de l'ouverture 30 1/8" (76,5 cm) min.
- F. Installation de la canalisation de gaz rigide recommandée dans la zone ombrée
- G. 8" (20,3 cm)
- H. Prise reliée à la terre
- I. 17" (43,2 cm)
- J. 4 1/2" (11,4 cm)
- K. 2" (5,1 cm)
- L. Dégagement de 2" (5,0 cm) minimum entre les deux côtés de la cuisinière et les parois latérales ou d'autres matériaux combustibles.

**\*REMARQUE :** Distance de séparation de 24" (61 cm) ou plus lorsque le fond d'un placard de bois ou de métal est protégé par une planche ignifugée d'au moins 1/4" (0,64 cm) recouverte d'une feuille métallique d'épaisseur égale ou supérieure à : acier calibre 28 MSG, acier inoxydable 0,015" (0,4 mm), aluminium 0,024" (0,6 mm), ou cuivre 0,020" (0,5 mm)

Distance de séparation de 30" (76,2 cm) ou plus entre le dessus de la table de cuisson et le fond d'un placard de bois ou de métal non protégé.

En cas d'installation d'une hotte au-dessus de la cuisinière, suivre les instructions fournies avec la hotte concernant les dimensions de dégagement à respecter au-dessus de la surface de la table de cuisson.

## Spécifications électriques

### **AVERTISSEMENT**



#### Risque de choc électrique

**Brancher sur une prise à 3 alvéoles reliée à la terre.**

**Ne pas enlever la broche de liaison à la terre.**

**Ne pas utiliser un adaptateur.**

**Ne pas utiliser un câble de rallonge.**

**Le non-respect de ces instructions peut causer un décès, un incendie ou un choc électrique.**

**IMPORTANT :** La sècheuse doit être électriquement reliée à la terre conformément aux prescriptions des codes et règlements locaux; en l'absence de code local, respecter les prescriptions du code national en vigueur : National Electrical Code, ANSI/NFPA 70, ou Code canadien de l'électricité, CSA C22.1.

Cette cuisinière est dotée d'un système d'allumage électronique qui ne fonctionnera pas en cas de branchement dans une prise qui n'est pas correctement polarisée.

Si un conducteur distinct de liaison à la terre est utilisé (lorsque le code en vigueur le permet), on recommande qu'un électricien qualifié vérifie la qualité de la liaison à la terre.

On peut obtenir un exemplaire du code national en vigueur à l'adresse suivante :

National Fire Protection Association  
One Batterymarch Park,  
Quincy, MA 02269

CSA International  
8501 East Pleasant Valley Road  
Cleveland, OH 44131-5575

- L'appareil doit être alimenté uniquement par un circuit de 120 volts, 60 Hz, 15 A protégé par fusibles. On recommande l'emploi de fusibles temporisés ou disjoncteurs. On recommande que l'appareil soit alimenté par un circuit indépendant.
- Les dispositifs d'allumage électronique peuvent fonctionner correctement dans une plage de tension d'alimentation étendue, mais il est nécessaire de respecter la polarité stipulée et d'établir une liaison à la terre adéquate. Vérifier que la prise de courant fournit une tension de 120 V et qu'elle est correctement reliée à la terre.
- On trouve un schéma de câblage sous la cuisinière, ou au-dessous du tiroir de rangement, dans un sachet de plastique transparent.

**REMARQUE :** Le châssis métallique de la cuisinière doit être relié à la terre pour que le tableau de commande puisse fonctionner correctement. Si le châssis métallique de la cuisinière n'est pas relié à la terre, aucune touche du tableau de commande ne peut fonctionner. En cas de doute quant à la qualité de la liaison à la terre du châssis de la cuisinière, consulter un électricien qualifié.

## Spécifications de l'alimentation en gaz

### **AVERTISSEMENT**



#### Risque d'explosion

**Utiliser une canalisation neuve d'arrivée de gaz approuvée par la CSA International.**

**Installer un robinet d'arrêt.**

**Bien serrer chaque organe de connexion de la canalisation de gaz.**

**En cas de connexion au gaz propane, demander à une personne qualifiée de s'assurer que la pression de gaz ne dépasse pas 36 cm (14 po) de la colonne d'eau.**

**Par personne qualifiée, on comprend :**

**le personnel autorisé de chauffage,  
le personnel autorisé d'une compagnie de gaz, et  
le personnel d'entretien autorisé.**

**Le non-respect de ces instructions peut causer un décès, une explosion ou un incendie.**

Observer toutes les prescriptions des codes et règlements en vigueur.

**IMPORTANT :** L'installation doit satisfaire aux critères de tous les codes et règlements locaux. En l'absence de code local, l'installation doit satisfaire aux prescriptions de la plus récente édition du code national en vigueur : National Fuel Gas Code ANSI Z223.1 (American National Standard), ou CAN/CGA B149.

### **Type de gaz**

#### **Gaz naturel :**

La conception de cette cuisinière a été homologuée par CSA International pour l'alimentation au gaz naturel, ou pour l'alimentation au propane après conversion adéquate.

- Cette cuisinière a été configurée à l'usine pour l'alimentation au gaz naturel. Voir la section "Conversions pour changement de gaz". La plaque signalétique des numéros de modèle et de série située sur le châssis de l'appareil (derrière le tiroir de remisage) indique les types de gaz utilisables. Si le type de gaz disponible n'est pas mentionné sur la plaque signalétique, consulter le fournisseur de gaz local.

#### **Conversion pour l'alimentation au propane :**

L'opération de conversion doit être exécutée par un technicien qualifié.

Consulter le fournisseur de gaz avant toute conversion de l'appareil pour l'utilisation d'un type de gaz qui n'est pas mentionné sur la plaque signalétique. Voir la section "Conversions pour changement de gaz".

## Canalisation de gaz

Installer une canalisation de gaz rigide de  $\frac{3}{4}$ " (1,9 cm) jusqu'à l'emplacement d'installation de la cuisinière. L'emploi d'une canalisation de plus petit diamètre ou plus longue peut susciter une déficience du débit d'alimentation. On doit utiliser un composé d'étanchéité des tuyauteries résistant à l'action du gaz de pétrole liquéfié. Ne pas utiliser de ruban TEFLON<sup>†</sup>. Pour l'alimentation au propane, le diamètre des canalisations doit être de  $\frac{1}{2}$ " (1,3 cm) ou plus. Usuellement le fournisseur de gaz propane détermine les matériaux à utiliser et le diamètre approprié.

### Raccord métallique flexible :

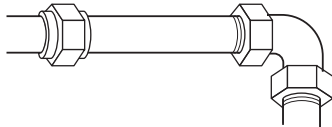
- Si le code local le permet, on peut utiliser pour raccorder la cuisinière à la canalisation de gaz un raccord métallique flexible neuf (homologation C.S.A.) de 4 - 5 pi (122 - 152,4 cm) de longueur, de diamètre interne de  $\frac{1}{2}$ " (1,3 cm) ou  $\frac{3}{4}$ " (1,9 cm).



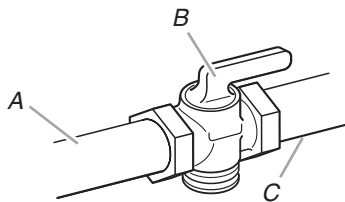
- Un raccord avec filetage mâle de  $\frac{1}{2}$ " (1,3 cm) est nécessaire pour la connexion sur le raccord à filetage femelle à l'entrée du détendeur de l'appareil.
- Veiller à ne pas déformer/écraser/endommager le tube métallique flexible lors d'un déplacement de la cuisinière.

### Raccordement par un ensemble rigide :

On doit utiliser une combinaison de raccords pour réaliser un raccordement rigide entre la cuisinière et la canalisation de gaz. Le tuyau rigide doit se trouver au même niveau que le raccord de connexion de la cuisinière. On doit veiller à ne soumettre les sections de canalisation d'alimentation à aucun effort de traction ou flexion, pour que la cuisinière soit d'aplomb et correctement alignée.



- **Robinet d'arrêt nécessaire :**  
La canalisation d'alimentation doit comporter un robinet d'arrêt manuel. Le robinet d'arrêt manuel doit être séparé de la cuisinière, mais doit se trouver dans la même pièce en un endroit où il sera facilement accessible pour les manoeuvres d'ouverture/fermeture. Ne pas entraver l'accès au robinet d'arrêt manuel. Le robinet d'arrêt manuel est prévu pour ouvrir ou fermer l'alimentation en gaz de la cuisinière.



A. Canalisation de gaz  
B. Robinet d'arrêt manuel - position d'ouverture  
C. Vers la cuisinière

## Détendeur de gaz

Le détendeur fourni avec cette cuisinière doit être utilisé. Pour un fonctionnement correct, la pression d'alimentation du détendeur doit être comme suit :

### Gaz naturel :

Pression minimum : 5" (colonne d'eau)  
Pression maximum : 14" (colonne d'eau)

### Gaz propane :

Pression minimum : 11" (colonne d'eau)  
Pression maximum : 14" (colonne d'eau)

En cas d'incertitude quant à la pression d'alimentation à établir, contacter le fournisseur de gaz local.

## Débit thermique des brûleurs

Les débits thermiques indiqués sur la plaque signalétique correspondent à une altitude d'utilisation inférieure à 2000 pi (609,6 m).

Lorsque l'appareil est utilisé à une altitude supérieure à 2000 pi (609,6 m), on doit réduire le débit thermique indiqué de 4 % pour chaque tranche de 1000 pi (304,8 m) au-dessus du niveau de la mer (pas applicable au Canada).

## Tests de pressurisation de la canalisation de gaz

### Pressurisation à une pression supérieure à $\frac{1}{2}$ lb/po<sup>2</sup> (14" - colonne d'eau)

Pour tout test de pressurisation du système à une pression supérieure à  $\frac{1}{2}$  lb/po<sup>2</sup> (3,5 kPa), on doit déconnecter la cuisinière et son robinet d'arrêt manuel de la canalisation à pressuriser.

### Pressurisation à une pression relative de $\frac{1}{2}$ lb/po<sup>2</sup> (14" - colonne d'eau) ou moins

Lors de tout test de pressurisation du système à une pression égale ou inférieure à  $\frac{1}{2}$  lb/po<sup>2</sup> (3,5 kPa), on doit isoler la cuisinière de la canalisation pressurisée, par fermeture du robinet d'arrêt manuel.

†TEFLON est une marque déposée de E.I. Du Pont De Nemours et Compagnie.

# INSTRUCTIONS D'INSTALLATION

## Déballage de la cuisinière

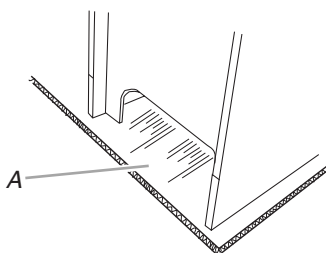
### **⚠ AVERTISSEMENT**

#### Risque du poids excessif

Utiliser deux ou plus de personnes pour déplacer et installer la cuisinière.

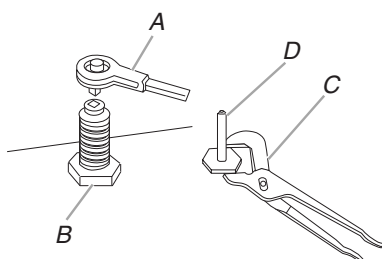
Le non-respect de cette instruction peut causer une blessure au dos ou d'autre blessure.

1. Ôter les matériaux d'emballage, le ruban adhésif et le film protecteur de la cuisinière. Retirer les grilles de four et le sachet de pièces de l'intérieur du four.
2. Ne pas enlever la base d'expédition pour l'instant.



A. Base d'expédition

3. Retirer le tiroir de remisage. Déployer les pieds de nivellement arrière d'un demi-tour; utiliser une clé à cliquet de  $\frac{3}{8}$ ". Déployer les pieds de nivellement avant d'un demi-tour; utiliser une pince multiprise.



- A. Clé à cliquet de  $\frac{3}{8}$ "  
B. Pied de nivellement arrière  
C. Pince multiprise  
D. Pied de nivellement avant

## Installation de la bride antibasculement

### **⚠ AVERTISSEMENT**



#### Risque de basculement

Un enfant ou une personne adulte peut faire basculer la cuisinière ce qui peut causer un décès.

Joindre la bride antibasculement au pied arrière de la cuisinière.

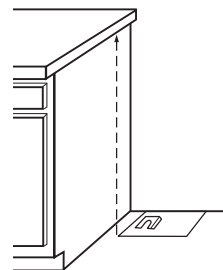
Joindre de nouveau la bride antibasculement si la cuisinière est déplacée.

Le non-respect de ces instructions peut causer un décès ou des brûlures graves aux enfants et aux adultes.

Contactez un installateur de revêtements de sol qualifié au sujet des meilleures méthodes de perçage des trous de montage à travers le revêtement de sol existant.

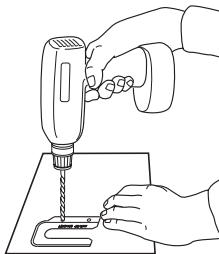
Avant de déplacer la cuisinière, la faire glisser sur son emballage d'expédition, du carton ou un panneau de fibres dur.

1. Enlever le gabarit de la trousse de la bride antibasculement (à l'intérieur de la cavité du four) ou de la couverture arrière du présent manuel.
2. Placer le gabarit sur le sol dans l'ouverture du placard de sorte que le bord gauche se trouve contre le placard, et le bord supérieur contre la paroi arrière, la plinthe ou le placard.
3. Fixer le gabarit avec du ruban adhésif.
4. Si le plan de travail n'est pas de niveau avec le haut de l'ouverture du placard, aligner le gabarit avec le surplomb.



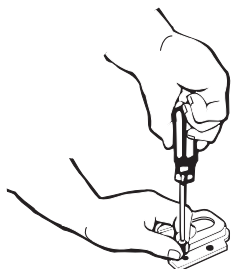
Si l'ouverture du meuble est plus large que ce qui est spécifié dans les "Exigences d'emplacement", ajuster le gabarit de sorte que la cuisinière soit au centre de l'ouverture du placard.

5. Pour monter la bride antibasculement sur un plancher de bois, percer deux trous de  $\frac{1}{8}$ " (3,2 mm) aux emplacements indiqués sur le gabarit de la bride. Enlever le gabarit du sol.



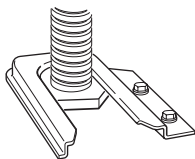
Pour monter la bride antibasculement sur un plancher en béton ou en céramique, utiliser un foret à maçonnerie de  $\frac{3}{16}$ " (4,8 mm) pour percer 2 trous aux emplacements indiqués sur le gabarit de la bride. Enlever le gabarit du sol.

6. Enfoncer les ancrages en plastique dans les trous à l'aide d'un marteau.  
7. Aligner les trous de la bride antibasculement avec les trous dans le plancher. Fixer la bride antibasculement avec les vis fournies.



En fonction de l'épaisseur du plancher, des vis plus longues peuvent s'avérer nécessaires pour fixer la bride au sous-plancher. Des vis plus longues sont disponibles auprès de votre quincaillerie locale.

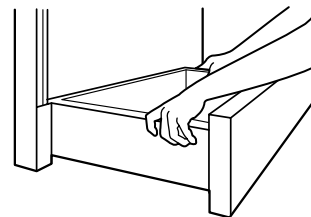
8. Déplacer la cuisinière près de l'ouverture d'encastrement. Retirer la base d'expédition, le carton ou le panneau de fibre dur de la cuisinière.  
9. Déplacer la cuisinière vers son emplacement final en s'assurant que le pied de nivellement arrière glisse dans la bride antibasculement.



10. En cas d'installation de la cuisinière dans une résidence mobile, il est impératif de fixer la cuisinière au sol. Toute méthode de fixation de la cuisinière est adéquate dans la mesure où elle satisfait aux normes indiquées dans la section "Exigences d'emplacement".  
11. Poursuivre l'installation de la cuisinière en utilisant les instructions d'installation suivantes.

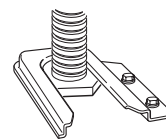
## Vérification de l'emplacement de la bride antibasculement

1. Ouvrir le tiroir jusqu'à la première position de butée. Soulever l'avant du tiroir pour dégager les roulettes blanches des glissières du tiroir. Retirer le tiroir et le poser sur une surface protégée. Voir le Guide d'utilisation et d'entretien pour l'enlèvement du tiroir modèle.



2. Vérifier l'installation de la bride antibasculement :

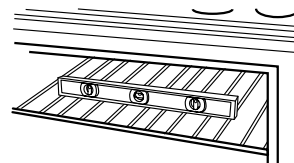
- Vérifier que la bride antibasculement est solidement fixée au sol.
- Faire glisser la cuisinière vers l'arrière; veiller à placer le pied arrière sous la bride antibasculement.



3. Dans le cas de l'installation de la cuisinière dans une résidence mobile, on doit fixer la cuisinière au plancher. Toute méthode de fixation de la cuisinière au plancher est adéquate dans la mesure où elle est conforme aux normes mentionnées à la section "Exigences de l'emplacement d'installation".

## Mise à niveau de la cuisinière

Placer la grille dans le four. Placer un niveau sur la grille pour contrôler l'aplomb, dans le sens transversal puis dans le sens avant/arrière.



Si la cuisinière n'est pas d'aplomb, tirer la cuisinière vers l'avant pour dégager le pied arrière de la bride antibasculement. Avec une clé à cliquet de  $\frac{3}{8}$ " et une pince multiprise, ajuster les pieds de réglage de l'aplomb vers le haut ou vers le bas pour obtenir un parfait aplomb de la cuisinière. Pousser de nouveau la cuisinière jusqu'à sa position finale. Vérifier que le pied arrière est correctement engagé dans la bride antibasculement.

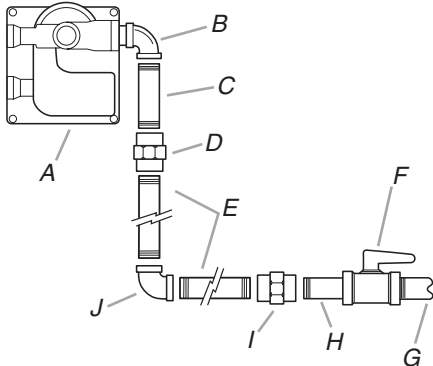
**REMARQUE :** Il faut que l'appareil soit d'aplomb pour que le four produise une performance satisfaisante.

## Raccordement à la canalisation de gaz

### Raccordement typique à une canalisation rigide

On doit utiliser une combinaison de raccords pour raccorder la cuisinière à la canalisation de gaz existante. La configuration de connexion sera variable, selon les caractéristiques de la canalisation d'alimentation (type, taille et position).

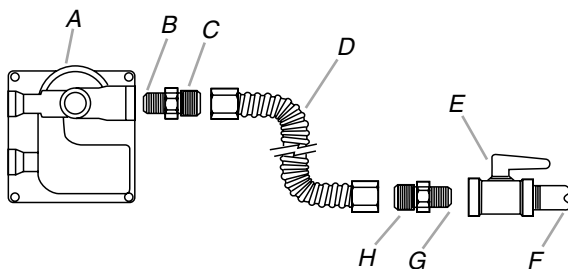
1. Sur chaque connexion filetée, appliquer un composé d'étanchéité résistant au propane.
2. Utiliser une clé pour serrer tous les raccords entre la cuisinière et la canalisation de gaz.



- |  |                              |
|--|------------------------------|
| A. Détendeur                                 | F. Robinet d'arrêt manuel    |
| B. Coude à 90° (avec filetage mâle NPT 1/2") | G. Tuyau de gaz 1/2" ou 3/4" |
| C. Raccord droit                             | H. Raccord droit             |
| D. Raccord droit ouvrable                    | I. Raccord droit ouvrable    |
| E. Tuyau d'acier                             | J. Coude à 90°               |

### Raccordement typique par raccord flexible

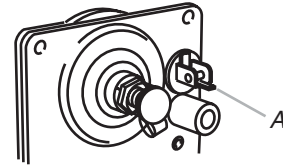
1. Appliquer un composé d'étanchéité des filetages résistant au propane sur l'extrémité filetée la plus petite des adaptateurs de raccord flexible (voir B et G ci-dessous).
2. Fixer un raccord d'adaptation sur le détendeur et l'autre raccord d'adaptation sur le robinet d'arrêt de la canalisation de gaz. Serrer les deux raccords d'adaptation.
3. Utiliser une clé mixte de 15/16" et une pince multiprise pour fixer le raccord flexible sur les raccords d'adaptation. Veiller à ne pas déformer/écraser le raccord flexible.



- |   |                                      |
|---|--------------------------------------|
| A. Détendeur  | E. Robinet d'arrêt manuel            |
| B. Appliquer un composé d'étanchéité                  | F. Tuyau de gaz 1/2" ou 3/4"         |
| C. Raccord d'adaptation (avec filetage mâle NPT 1/2") | G. Appliquer un composé d'étanchéité |
| D. Raccord flexible                                   | H. Raccord d'adaptation              |

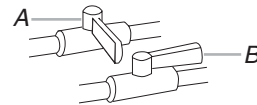
### Compléter le raccordement

1. Vérifier que le robinet d'arrêt du détendeur est à la position d'ouverture.



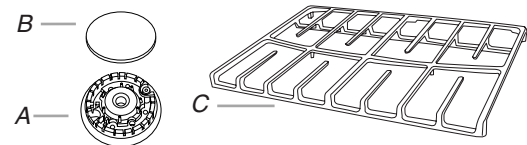
A. Robinet d'arrêt du détendeur

2. Ouvrir le robinet d'arrêt manuel sur la canalisation de gaz (la manette doit être parallèle au tuyau).



A. Robinet d'arrêt fermé  
B. Robinet d'arrêt ouvert

3. Effectuer une recherche des fuites : appliquer au pinceau sur les connexions une solution non corrosive de détection des fuites; la formation de bulles identifiera une fuite. Éliminer toute fuite constatée.
4. Prendre les chapeaux de brûleur et grilles de brûleur dans le paquet de pièces. Aligner les encoches des chapeaux de brûleur avec les broches dans la base de chaque brûleur. Un chapeau de brûleur correctement placé doit être horizontal. Si le chapeau de brûleur n'est pas correctement placé, le brûleur ne peut s'allumer. Placer la grille de brûleur sur chaque brûleur.



A. Chapeau de brûleur  
B. Base de brûleur  
C. Grille de brûleur

## ⚠ AVERTISSEMENT



### Risque de choc électrique

Brancher sur une prise à 3 alvéoles reliée à la terre.

Ne pas enlever la broche de liaison à la terre.

Ne pas utiliser un adaptateur.

Ne pas utiliser un câble de rallonge.

Le non-respect de ces instructions peut causer un décès, un incendie ou un choc électrique.

5. Brancher sur une prise à 3 alvéoles reliée à la terre.

## Système d'allumage électronique

### Allumage initial et réglages des flammes

Un système d'allumage électronique est utilisé à la place des flammes de veille usuelles pour l'allumage des brûleurs (table de cuisson et four). Lorsqu'on place le bouton de commande d'un brûleur de la table de cuisson à la position "LITE" (allumage), le système génère des étincelles pour l'allumage du brûleur. La génération d'étincelles se poursuit aussi longtemps que le bouton de commande est laissé à la position "LITE".

Lorsqu'on place le bouton de commande du brûleur du four à la position désirée, les étincelles générées provoquent l'inflammation du gaz.

### Contrôle du fonctionnement des brûleurs de la table de cuisson

#### Brûleurs standard de la table de cuisson

Tourner le bouton de commande du brûleur à la position "LITE".

Les flammes doivent s'allumer sur le brûleur en moins de 4 secondes. Lors de l'allumage initial, le délai d'allumage peut être supérieur à 4 secondes du fait de la présence d'air dans la canalisation de gaz.

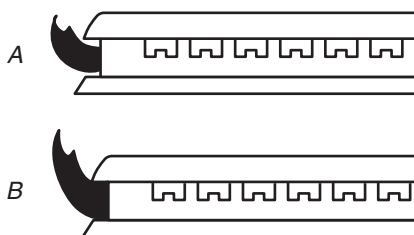
#### Si le brûleur ne s'allume pas correctement :

- Ramener le bouton de commande de la table de cuisson à la position d'arrêt.
- Vérifier que la cuisinière est branchée et correctement alimentée (fusible grillé? disjoncteur ouvert?)
- Vérifier que chaque robinet d'arrêt est ouvert.
- Vérifier que le chapeau de brûleur est correctement placé sur la base du brûleur.

Répéter le processus de mise en marche. Si à ce point un brûleur ne s'allume pas, contacter le revendeur ou un dépanneur agréé.

### Réglage de la taille des flammes

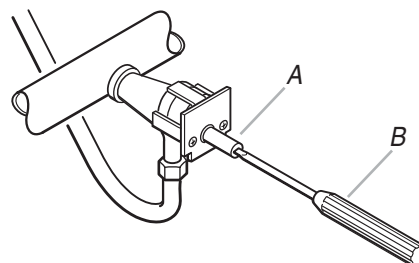
Régler la taille des flammes sur les brûleurs de la table de cuisson. Pour le réglage au débit thermique minimum, on doit observer des flammes stables bleues de 1/4" (0,64 cm).



A. Débit thermique minimum  
B. Débit thermique maximum

### S'il est nécessaire de régler la taille des flammes pour le débit thermique minimum :

La vis de réglage au centre de la tige de commande du robinet permet de régler la taille des flammes. La tige de commande est située directement au-dessous du bouton de commande.

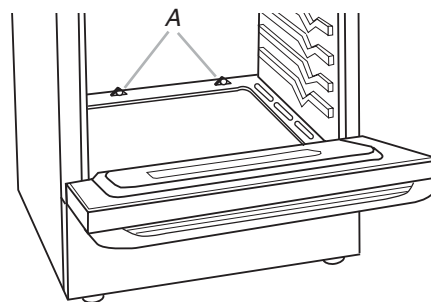


A. Tige du bouton de commande  
B. Tournevis

1. Ôter le bouton de commande.
2. Immobiliser la tige de commande avec une pince. Utiliser un petit tournevis à lame plate pour faire tourner la vis située au centre de la tige de commande; ajuster les flammes à la taille désirée.
3. Réinstaller le bouton de commande.
4. Tester le fonctionnement du brûleur : faire passer le bouton de commande de la position "LO" (bas) à la position "HI" (élevé) et observer les flammes pour chaque position.

### Contrôle du fonctionnement du brûleur du four

1. Ôter la grille du four.
2. Pour retirer la partie inférieure du four : Ôter 2 vis à l'arrière de la partie inférieure du four. Soulever l'arrière de la partie inférieure du four vers le haut et l'arrière jusqu'à ce que l'avant du panneau se trouve hors du cadre avant. Le retirer du four et placer la plaque de couverture sur une surface protégée.



A. Vis



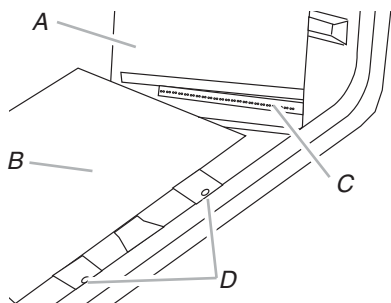
3. Pour vérifier la flamme du brûleur, ôter le répartiteur de flammes ou utiliser un miroir.

**Pour ôter le répartiteur de flammes :**

Ôter 2 vis des volets avant du répartiteur de flammes. Soulever l'avant du répartiteur de flammes et tirer vers l'avant pour retirer les volets de l'arrière du four.

**Utilisation d'un miroir :**

Insérer un miroir sur un côté du brûleur. Regarder dans le miroir pour vérifier la flamme.



A. Miroir  
B. Répartiteur de flammes  
C. Réfléchissement de la flamme  
D. 2 vis

4. Appuyer sur la touche BAKE (cuisson au four).
5. Appuyer sur la touche START (mise en marche).

Le brûleur du four devrait s'allumer en moins de 8 secondes; dans certaines conditions, l'allumage peut ne survenir qu'après 50 à 60 secondes.

Un dispositif d'allumage électronique est utilisé pour l'allumage des brûleurs du four et du gril.

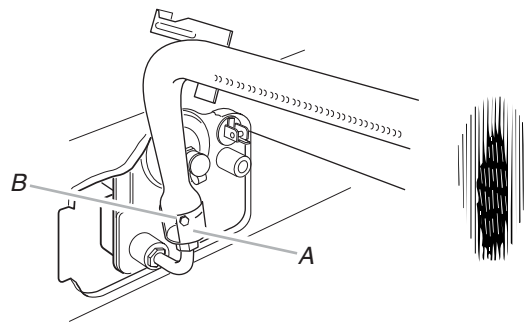
Consulter le Guide d'utilisation et d'entretien pour le bon fonctionnement des commandes du four.

**Réglage de la taille des flammes sur le brûleur du four (le cas échéant)**

1. Sur les modèles avec tiroir-réchaud, retirer la plaque de fermeture de l'ouverture d'accès (1 vis) située à l'arrière du compartiment du tiroir-réchaud.
2. Observer les flammes sur le brûleur du four pour déterminer si un réglage est nécessaire.

Il doit y avoir sur le brûleur des flammes comportant un cône interne bleu-vert de 1/2" (1,3 cm) et une zone externe bleu foncé; la forme des flammes doit être nette et douce. On ne doit pas observer de pointes jaunes, ni d'effet de soufflage ou de séparation entre les flammes et le brûleur.

3. S'il est nécessaire de régler la taille des flammes, identifier la virole de réglage de l'admission d'air près du centre/à l'arrière de la cuisinière. Desserrer la vis de blocage et faire tourner la virole pour établir des flammes de configuration correcte. Resserrer la vis de blocage de la virole.



A. Virole de réglage de l'admission d'air  
B. Vis de blocage

4. Appuyer sur la touche CANCEL/OFF (annulation/arrêt).
5. Réinstaller le répartiteur de flammes et la plaque de couverture du brûleur de four.

**Contrôle du fonctionnement du brûleur du gril**

1. Fermer la porte du four.
2. Appuyer sur la touche BROIL (gril).
3. Appuyer sur la touche START (mise en marche).

Le brûleur du four devrait s'allumer en moins de 8 secondes; dans certaines conditions, l'allumage peut ne survenir qu'après 50 à 60 secondes.

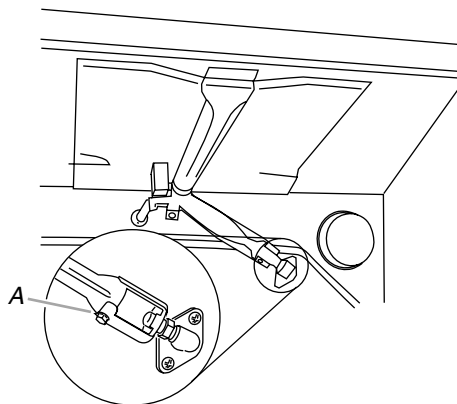
Consulter le Guide d'utilisation et d'entretien pour le bon fonctionnement des commandes du four.

**Réglage de la taille des flammes sur le brûleur du gril (le cas échéant)**

Examiner les flammes sur le brûleur du gril à travers le hublot du four. Il doit y avoir sur le brûleur des flammes comportant un cône interne bleu-vert de 1/2" (1,3 cm) et une zone externe bleu foncé; la forme des flammes doit être nette et douce. On ne doit pas observer de pointes jaunes, ni d'effet de soufflage ou de séparation entre les flammes et le brûleur.

**S'il est nécessaire de régler la taille des flammes :**

1. Desserrer la vis de blocage de la virole de réglage de l'admission d'air, à l'arrière du brûleur du gril.
2. Régler l'admission d'air selon le besoin.
3. Resserrer la vis de blocage.



A. Vis de blocage

## Réinstallation des grilles du four et du tiroir de remisage ou du tiroir-réchaud

Réinstaller les grilles à l'intérieur du four. Insérer le tiroir de remisage ou le tiroir-réchaud sur les glissières latérales de la cavité. Soulever légèrement l'avant du tiroir et pousser fermement pour fermer.

### Achever l'installation

1. Vérifier que toutes les pièces sont maintenant installées. S'il reste une ou plusieurs pièces inutilisées, passer en revue les différentes étapes pour découvrir laquelle aurait été oubliée.
2. Vérifier la présence de tous les outils.
3. Jeter ou recycler tous les matériaux d'emballage.
4. Contrôler l'aplomb de la cuisinière. Voir "Réglage de l'aplomb de la cuisinière".
5. Utiliser une solution d'eau tiède et de nettoyant ménager doux pour éliminer tout résidu de cire laissé par les matériaux de protection de l'emballage. Sécher parfaitement avec un linge doux. Pour plus d'informations, consulter la section "Entretien de la cuisinière" dans le Guide d'utilisation et d'entretien.

6. Lire la section "Utilisation de la cuisinière" dans le Guide d'utilisation et d'entretien.
7. Brancher l'appareil sur une prise de courant à 3 alvéoles, reliée à la terre.
8. Mettre en marche les brûleurs de la table de cuisson et le brûleur du four. Pour des instructions spécifiques concernant l'utilisation de la cuisinière, consulter le Guide d'utilisation et d'entretien.

#### Si la cuisinière ne fonctionne pas, contrôler ce qui suit :

- Fusible grillé ou desserré? Disjoncteur ouvert?
  - Cuisinière branchée directement sur une prise de courant à 3 alvéoles, reliée à la terre?
  - Prise de courant correctement alimentée?
  - Consulter la section "Dépannage" dans le Guide d'utilisation et d'entretien.
9. Après 5 minutes de fonctionnement de la cuisinière, évaluer l'échauffement au toucher. Si aucune émanation de chaleur n'est perceptible, arrêter la cuisinière et déterminer si le robinet d'arrêt de la canalisation de gaz est ouvert.
    - Si le robinet d'arrêt de la canalisation de gaz est fermé, l'ouvrir, puis répéter le test de 5 minutes décrit ci-dessus.
    - Si le robinet d'arrêt de la canalisation de gaz était ouvert, contacter un technicien qualifié.

## CONVERSIONS POUR CHANGEMENT DE GAZ

### ⚠ AVERTISSEMENT



#### Risque d'explosion

Utiliser une canalisation neuve d'arrivée de gaz approuvée par la CSA International.

Installer un robinet d'arrêt.

Bien serrer chaque organe de connexion de la canalisation de gaz.

En cas de connexion au gaz propane, demander à une personne qualifiée de s'assurer que la pression de gaz ne dépasse pas 36 cm (14 po) de la colonne d'eau.

Par personne qualifiée, on comprend :

le personnel autorisé de chauffage,  
le personnel autorisé d'une compagnie de gaz, et  
le personnel d'entretien autorisé.

Le non-respect de ces instructions peut causer un décès, une explosion ou un incendie.

### Conversion de Gaz naturel à Propane

### ⚠ AVERTISSEMENT



#### Risque de basculement

Un enfant ou une personne adulte peut faire basculer la cuisinière ce qui peut causer un décès.

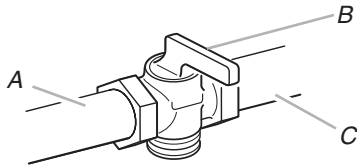
Joindre la bride antibasculement au pied arrière de la cuisinière.

Joindre de nouveau la bride antibasculement si la cuisinière est déplacée.

Le non-respect de ces instructions peut causer un décès ou des brûlures graves aux enfants et aux adultes.

## Conversion du détendeur

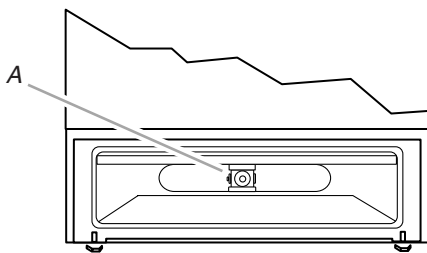
1. Fermer le robinet d'arrêt manuel.  
Débrancher la table de cuisson ou couper le courant.



A. Vers la cuisinière  
B. Robinet d'arrêt manuel (position de fermeture)  
C. Canalisation de gaz

2. Retirer le tiroir de remisage ou le tiroir-réchaud. Identifier le détendeur à l'arrière du tiroir.

**REMARQUE :** Dans le cas d'un modèle avec tiroir-réchaud, on doit enlever le couvercle de l'ouverture d'accès au détendeur.



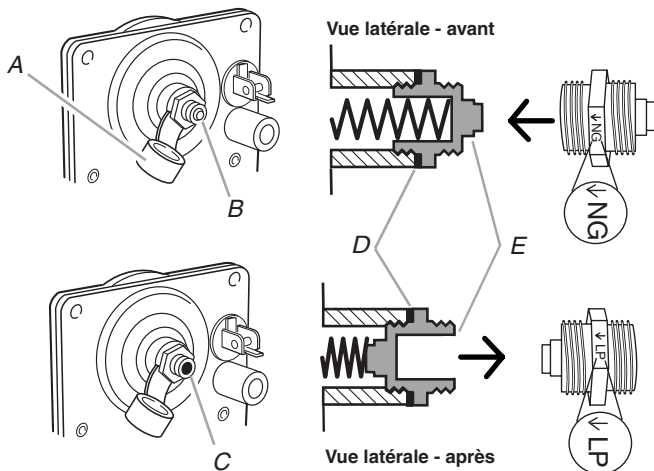
A. Détendeur

**IMPORTANT :** Ne pas enlever le détendeur.

### Détendeur

3. Ôter le couvercle de plastique du capuchon du détendeur.
4. Faire tourner le capuchon du détendeur dans le sens antihoraire pour l'enlever, avec une clé mixte de 5/8".

**REMARQUE :** Ne pas enlever le ressort situé sous le capuchon.



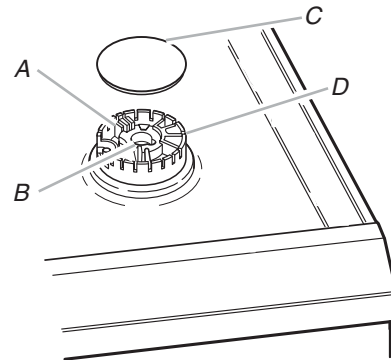
A. Couvercle de plastique  
B. Capuchon du détendeur; extrémité borgne vers l'extérieur  
C. Capuchon du détendeur; extrémité ouverte vers l'extérieur  
D. Joint  
E. Capuchon du détendeur

5. Inverser la position du capuchon du détendeur avant de le réinstaller sur le détendeur; l'extrémité ouverte doit être orientée vers l'extérieur, et les lettres "<- LP" doivent être visibles (orientation comme sur le dessin ci-dessus).
6. Réinstaller le couvercle de plastique par-dessus le capuchon du détendeur.

## Conversion des brûleurs standard de la table de cuisson

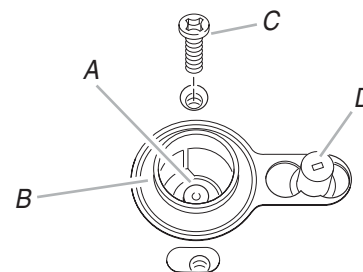
1. Enlever le chapeau de brûleur.
2. Avec un tournevis Quadrex® ou Phillips, enlever la base du brûleur.

**REMARQUE :** Réinstaller l'une des vis à travers la table de cuisson pour qu'elle maintienne le porte-gicleur en place pendant les opérations de dépose et remplacement des gicleurs.



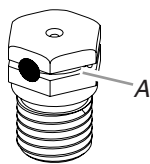
A. Électrode d'allumage  
B. Ouverture du tube d'arrivée de gaz  
C. Chapeau de brûleur  
D. Base du brûleur

3. Appliquer du ruban adhésif de masquage à l'extrémité d'un tourne-écrou de 5/16" pour retenir le gicleur du brûleur dans le tourne-écrou durant l'extraction. Appuyer pour engager le tourne-écrou sur le gicleur; faire tourner le gicleur dans le sens antihoraire puis soulever pour l'enlever. Conserver à part le gicleur du brûleur.



A. Gicleur  
B. Porte-gicleur  
C. Vis  
D. Électrode d'allumage

- Retirer le porte-gicleur de carton qu'on trouve à l'arrière de la cuisinière, près de l'entrée de gaz. Chaque gicleur est marqué d'un code d'identification gravé et d'un point coloré, et comporte une rainure dans la zone hexagonale. Remplacer le gicleur pour gaz naturel par le gicleur correct pour propane.



A. Rainure

Le tableau qui suit permet de sélectionner le gicleur pour propane correct pour chaque brûleur.

#### Gicleurs pour propane pour brûleurs standard de la table de cuisson

Puissance thermique	Couleur	Taille	Code d'identification
12 000 BTU	Vert/magenta	1,03 mm	L103
11 000 BTU	Vert/jaune	0,99 mm	L99
8 000 BTU	Vert/bleu clair	0,80 mm	L80
5 000 BTU	Vert/marron	0,65 mm	L65

**REMARQUE :** Voir la plaque signalétique, située derrière le côté gauche du tiroir de remisage ou du tiroir-réchaud, qui indique la taille du gicleur correct à utiliser pour chaque brûleur (selon sa position).

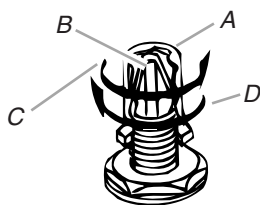
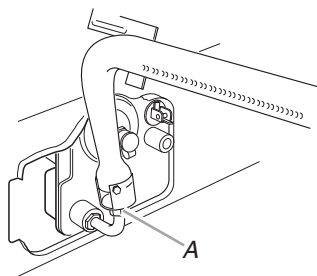
- Placer le gicleur pour gaz naturel sur le porte-gicleur de carton.
- Réinstaller la base du brûleur - utiliser les deux vis.
- Réinstaller le chapeau de brûleur.
- Répéter les étapes 1 à 7 pour les autres brûleurs.

#### Conversion du brûleur du four

- Ôter les grilles du four.
- Avec une clé mixte de 1/2", faire tourner le gicleur pour l'amener au contact de la broche (environ 2 à 2 1/2 tours).

**IMPORTANT :** Ne pas serrer excessivement.

Il ne sera pas possible de régler correctement les flammes sur le brûleur du four si cette conversion n'est pas exécutée. Voir la section "Réglage des flammes sur le brûleur du four".



A. Gicleur

B. Broche

C. Gaz naturel : augmentation du débit de gaz - augmentation de la taille des flammes (préréglage à l'usine pour gaz naturel)

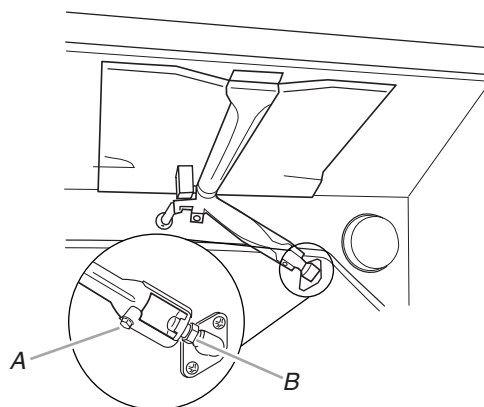
D. Gaz propane : réduction du débit de gaz - réduction de la taille des flammes

#### Conversion du brûleur du grill

Avec une clé mixte de 1/2", faire tourner le gicleur pour l'amener au contact de la broche (environ 2 à 2 1/2 tours).

**IMPORTANT :** Ne pas serrer excessivement.

Il ne sera pas possible de régler correctement les flammes sur le brûleur du grill si cette conversion n'est pas exécutée. Voir la section "Réglage des flammes sur le brûleur du grill".



A. Vis de blocage

B. Gicleur

#### Réinstallation des grilles du four et du tiroir de remisage ou du tiroir-réchaud

Réinstaller les grilles dans la cavité du four. Placer le tiroir de remisage ou le tiroir-réchaud sur les glissières latérales de la cavité; soulever légèrement l'avant du tiroir et pousser fermement pour fermer.

#### Achever l'installation

- Pour le raccordement correct de la cuisinière à la canalisation de gaz, voir la section "Raccordement au gaz".
- Pour l'allumage du brûleur, l'utilisation et le réglage des flammes sur le brûleur, voir la section "Système d'allumage électronique".

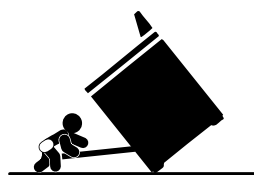
**IMPORTANT :** Il peut être nécessaire de modifier le réglage des flammes à la position du débit thermique minimum pour chaque brûleur de la table de cuisson.

Il est très important de vérifier l'établissement de flammes correctes sur les brûleurs de la table de cuisson, du four et du grill. Il doit y avoir un petit cône interne bleu distinct de 1/4" (0,64 cm) à 1/2" (1,3 cm). La partie externe des flammes n'est pas aussi distincte que le cône interne. Les flammes d'un brûleur alimenté au propane comportent une pointe légèrement jaune.

- Voir le paragraphe "Achever l'installation" de la section "Instructions d'installation" du présent manuel pour la fin du processus d'installation.

## Conversion de Propane à Gaz naturel

### **AVERTISSEMENT**



#### Risque de basculement

Un enfant ou une personne adulte peut faire basculer la cuisinière ce qui peut causer un décès.

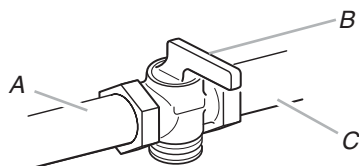
Joindre la bride antibasculement au pied arrière de la cuisinière.

Joindre de nouveau la bride antibasculement si la cuisinière est déplacée.

Le non-respect de ces instructions peut causer un décès ou des brûlures graves aux enfants et aux adultes.

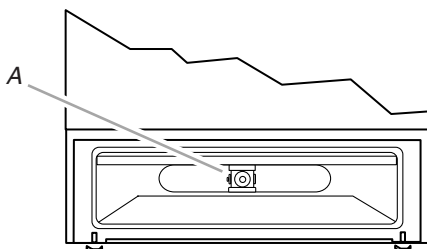
#### Conversion du détendeur

1. Fermer le robinet d'arrêt manuel.  
Débrancher la table de cuisson ou couper le courant.



- A. Vers la cuisinière
- B. Robinet d'arrêt manuel (position de fermeture)
- C. Canalisation de gaz

2. Retirer le tiroir de remisage ou le tiroir-réchaud. Identifier le détendeur à l'arrière du tiroir.  
**REMARQUE :** Dans le cas d'un modèle avec tiroir-réchaud, on doit enlever le couvercle de l'ouverture d'accès au détendeur.



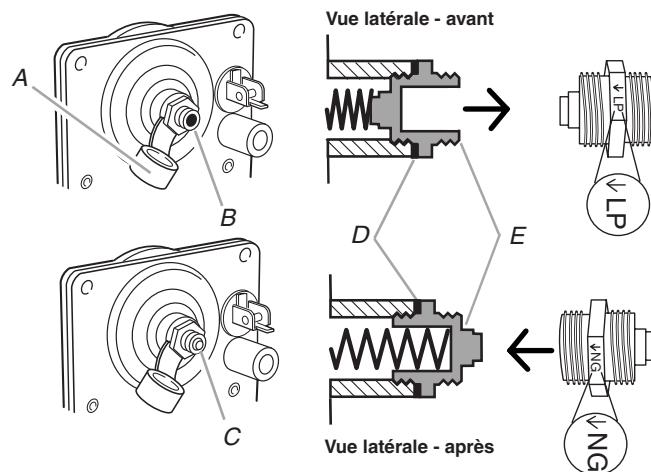
A. Détendeur

**IMPORTANT :** Ne pas enlever le détendeur.

#### Détendeur

3. Ôter le couvercle de plastique du capuchon du détendeur.
4. Faire tourner le capuchon du détendeur dans le sens antihoraire pour l'enlever, avec une clé mixte de 5/8".

**REMARQUE :** Ne pas enlever le ressort situé sous le capuchon.

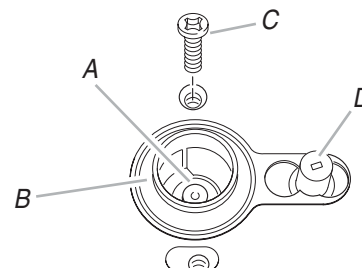


- A. Couvercle de plastique
- B. Capuchon du détendeur; extrémité ouverte vers l'extérieur
- C. Capuchon du détendeur; extrémité borgne vers l'extérieur
- D. Joint
- E. Capuchon du détendeur

5. Inverser la position du capuchon du détendeur avant de le réinstaller sur le détendeur; l'extrémité borgne doit être orientée vers l'extérieur, et l'inscription "<- N" doit être visible (orientation comme sur le dessin ci-dessus).
6. Réinstaller le couvercle de plastique par-dessus le capuchon du détendeur.

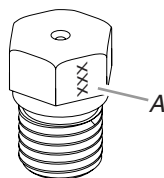
#### Conversion des brûleurs standard de la table de cuisson

1. Enlever le chapeau de brûleur.
2. Avec un tournevis Quadrex ou Phillips, enlever la base du brûleur.  
**REMARQUE :** Réinstaller l'une des vis à travers la table de cuisson pour qu'elle maintienne le porte-gicleur en place pendant les opérations de dépose et remplacement des gicleurs.
3. Appliquer du ruban adhésif de masquage à l'extrémité d'un tourne-écrou de 5/16" pour retenir le gicleur du brûleur dans le tourne-écrou durant l'extraction. Placer le tourne-écrou sur le gicleur; faire tourner dans le sens antihoraire et soulever pour enlever le gicleur. Conserver à part le gicleur du brûleur.



- A. Gicleur
- B. Porte-gicleur
- C. Vis
- D. Électrode d'allumage

4. Chaque gicleur est marqué d'un chiffre gravé sur le côté. Remplacer le gicleur pour propane par le gicleur correct pour gaz naturel.



A. Marquage d'identification

Le tableau qui suit permet de sélectionner le gicleur pour gaz naturel correct pour chaque brûleur.

#### Gicleurs pour gaz naturel pour brûleurs standard de la table de cuisson

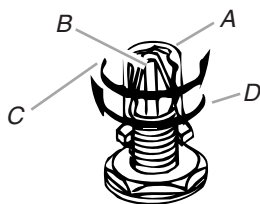
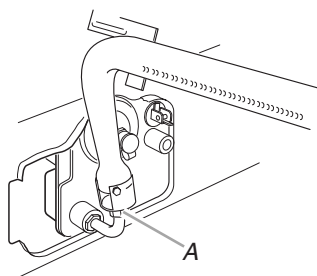
Puissance thermique	Couleur	Taille	Code d'identification
13 500 BTU	Bleu/orange	1,86 mm	N186
12 000/12 500 BTU	Bleu/rouge	1,76 mm	N176
9 500 BTU	Bleu/laiton	1,51 mm	N151
8 000 BTU	Bleu/noir	1,39 mm	N139
5 000 BTU	Bleu/blanc	1,12 mm	N112

**REMARQUE :** Voir la plaque signalétique, située derrière le côté gauche du tiroir de remisage ou du tiroir-réchaud, qui indique la taille du gicleur correct à utiliser pour chaque brûleur (selon sa position).

- Placer les gicleurs pour propane dans le sachet de plastique et avec les documents fournis avec l'appareil, pour pouvoir les réutiliser ultérieurement.
- Réinstaller la base du brûleur - utiliser les deux vis.
- Réinstaller le chapeau de brûleur.
- Répéter les étapes 1 à 7 pour les autres brûleurs.

#### Conversion du brûleur du four

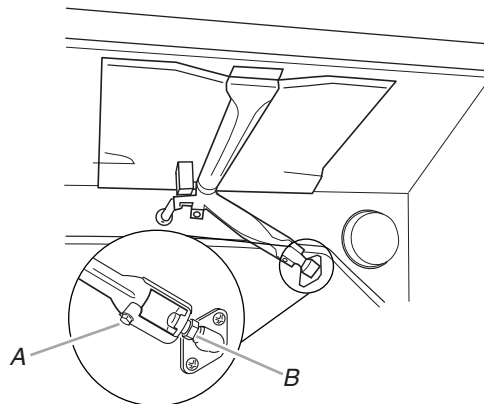
- Ôter les grilles du four.
- Avec une clé mixte de 1/2", faire tourner le gicleur pour l'écarter de la broche (environ 2 à 2 1/2 tours). Il ne sera pas possible de régler correctement les flammes sur le brûleur du four si cette conversion n'est pas exécutée. Voir la section "Réglage des flammes sur le brûleur du four".



- A. Gicleur  
 B. Broche  
 C. Gaz naturel : augmentation du débit de gaz - augmentation de la taille des flammes (préréglage à l'usine pour gaz naturel)  
 D. Gaz propane : réduction du débit de gaz - réduction de la taille des flammes

#### Conversion du brûleur du grill

Avec une clé mixte de 1/2", faire tourner le gicleur pour l'écarter de la broche (environ 2 à 2 1/2 tours). Il ne sera pas possible de régler correctement les flammes sur le brûleur du grill si cette conversion n'est pas exécutée. Voir la section "Réglage des flammes sur le brûleur du grill".



A. Vis de blocage  
 B. Gicleur

#### Réinstallation des grilles du four et du tiroir de remisage ou du tiroir-réchaud

Réinstaller les grilles dans la cavité du four. Insérer le tiroir de remisage ou le tiroir-réchaud sur les glissières latérales de la cavité. Soulever légèrement l'avant du tiroir et pousser fermement pour fermer.

#### Achever l'installation

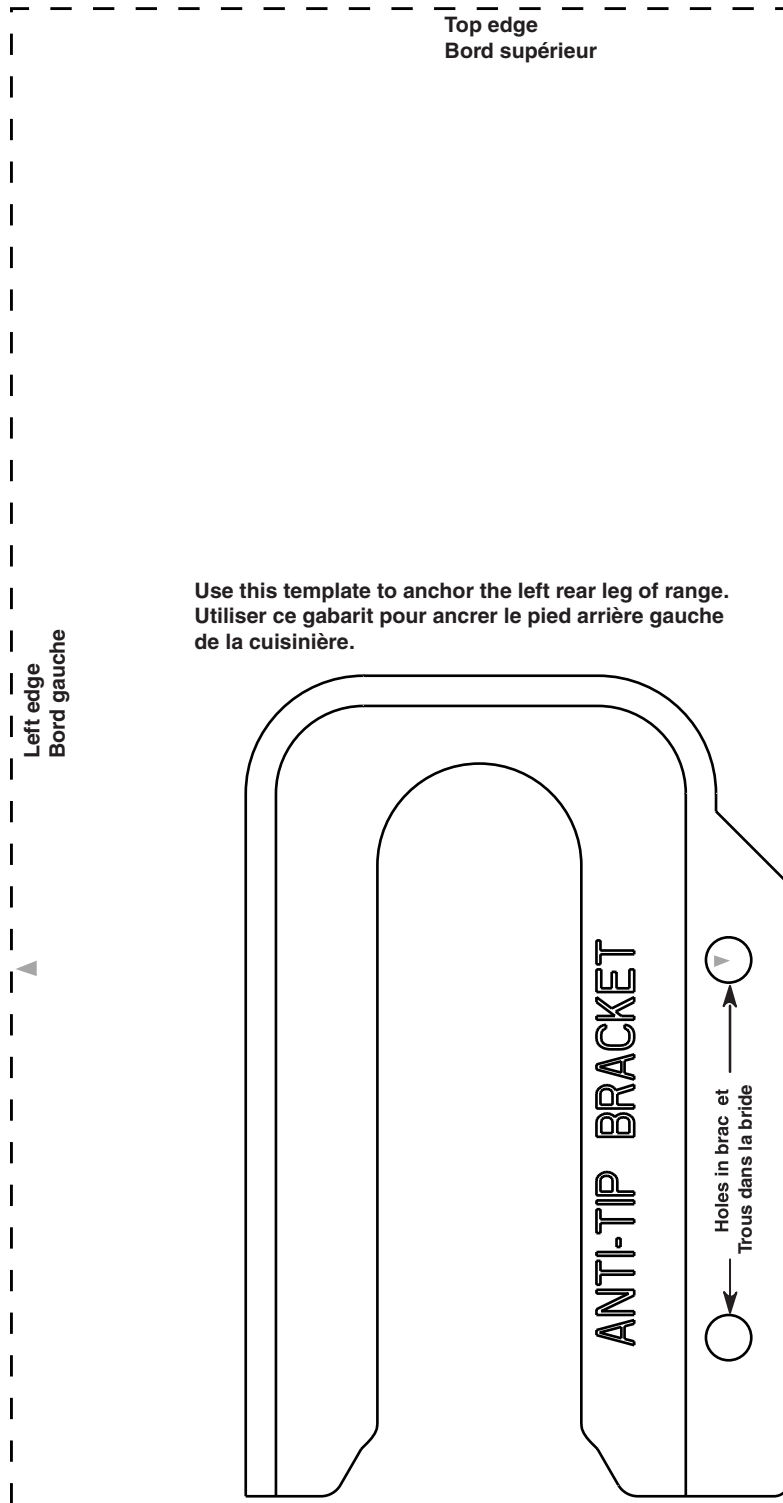
- Pour le raccordement correct de la cuisinière à la canalisation de gaz, voir la section "Raccordement au gaz".
- Pour l'allumage du brûleur, l'utilisation et le réglage des flammes sur le brûleur, voir la section "Système d'allumage électronique".  
**IMPORTANT :** Il peut être nécessaire de modifier le réglage des flammes à la position du débit thermique minimum pour chaque brûleur de la table de cuisson.  
 Il est très important de vérifier l'établissement de flammes correctes sur les brûleurs de la table de cuisson, du four et du grill. Les flammes d'un brûleur alimenté au gaz naturel ne comportent pas de pointe jaune.
- Voir la section "Achever l'installation" dans la section "Instructions d'installation" du présent manuel pour achever l'installation.

---

## Notes

# ANTI-TIP BRACKET TEMPLATE GABARIT POUR LA BRIDE ANTIBASCULEMENT

Cut on dotted lines and place the left edge against the left side cabinet and the top edge against the rear wall.  
Couper ici et placer le rebord supérieur contre le côté gauche du placard et le rebord droit contre la paroi arrière.



Use this template to anchor the left rear leg of range.  
Utiliser ce gabarit pour ancrer le pied arrière gauche de la cuisinière.

9762997

© 2005 Whirlpool Corporation.  
All rights reserved.  
Tous droits réservés.

© Registered Trademark/TM Trademark of Whirlpool, U.S.A., Whirlpool Canada LP Licensee in Canada  
© Marque déposée/TM Marque de commerce de Whirlpool, U.S.A., emploi licencié par Whirlpool Canada LP au Canada

12/05  
Printed in U.S.A.  
Imprimé aux É.-U.