

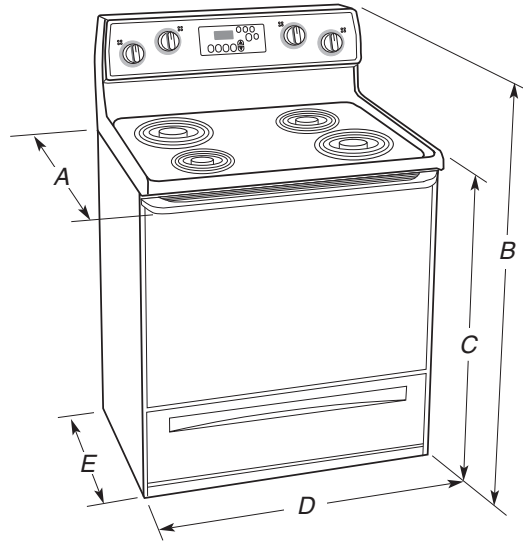


30" Freestanding Electric Range

PRODUCT MODEL NUMBERS

GR516LXS	RF261PXS
GR563LXS	RF262LXS
GR673LXS	RF263LXT
GR773LXS	RF264LXS
RF110AXS	RF265LXT
RF111PXS	RF362LXS
RF114PXS	RF362LXT
RF212PXS	RF367LXS
RF260BXS	RF462LXS

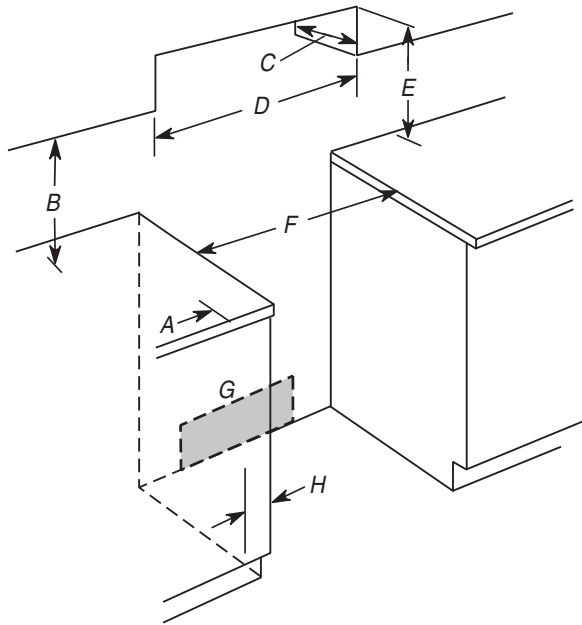
OVERALL DIMENSIONS



- A. 27 1/8" (68.9 cm) depth with handle
- B. 46 7/8" (119.1 cm) overall height
- C. 36" (91.4 cm) cooktop height
- D. 29 7/8" (75.9 cm) width
- E. 24 13/16" (63 cm) depth

Electrical: When a 4-wire or 3-wire, single phase 120/240 volt, 60 Hz, AC only electrical supply is available (or, if specified on the model/serial rating plate, when a 4-wire or 3-wire single phase 120/208 volt 60 Hz, AC only electrical supply is available), a 40- or 50-amp maximum circuit protection is required, fused on both sides of the line. A time-delay fuse or circuit breaker is recommended. The model/serial rating plate is located on the oven frame behind the storage drawer panel.

CABINET OPENING DIMENSIONS



- A. 4" (10.2 cm) min. clearance from both sides of range to side wall or other combustible material
- B. 18" (45.7 cm) upper side cabinet to countertop
- C. 13" (33 cm) max. upper cabinet depth
- D. 30" (76.2 cm) min. opening width
- E. For minimum clearance to top of cooktop, see NOTE*.
- F. 30" (76.2 cm) min. opening width
- G. Outlet - 8" (20.3 cm) to 22" (55.9 cm) from either cabinet, 5 1/2" (14.0 cm) max. from floor
- H. 7/8" (2.2 cm) min. required between cutout and cabinet door or hinge

***NOTE:** 24" (61 cm) minimum when bottom of wood or metal cabinet is protected by not less than 1/4" (0.64 cm) flame retardant millboard covered with not less than No. 28 MSG sheet steel, 0.015" (0.4 mm) stainless steel, 0.024" (0.6 mm) aluminum or 0.020" (0.5 mm) copper.

30" (76.2 cm) minimum clearance between the top of the cooking platform and the bottom of an unprotected wood or metal cabinet.