



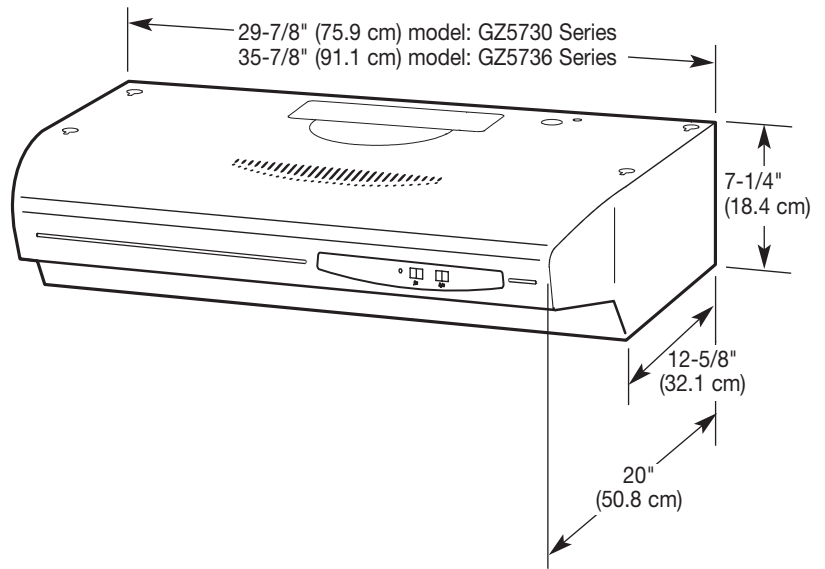
# 30" and 36" Convertible Range Hood

## PRODUCT MODEL NUMBERS

GZ5730XR  
GZ5736XR

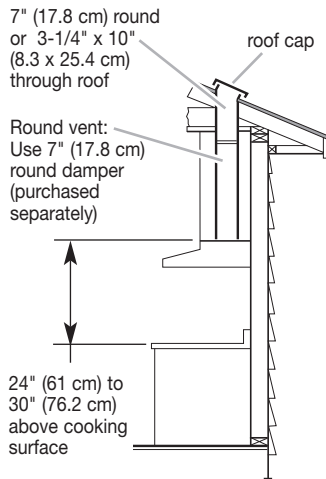
**Electrical:** 120-volt, 60-Hz, AC-only, 15-amp. electrical supply. Use copper wire only. A time-delay fuse or circuit breaker and separate circuit is recommended.

## OVERALL DIMENSIONS

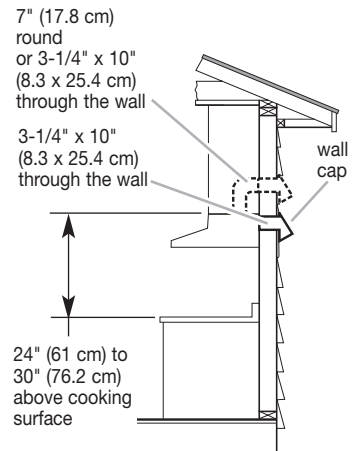


## VENTING REQUIREMENTS

### Roof venting



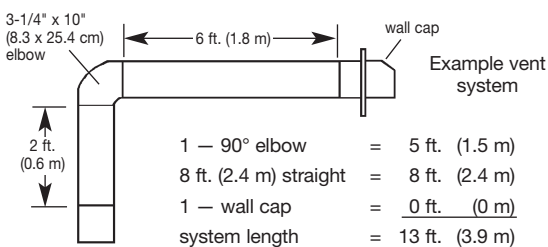
### Wall venting



### 3-1/4" x 10" (8.3 x 25.4 cm) vent system

Recommended standard fittings

Vent piece	3-1/4" x 10" (8.3 x 25.4 cm)
3-1/4" x 10" (8.3 x 25.4 cm) 90° elbow	5 feet (1.5 m)
3-1/4" x 10" (8.3 x 25.4 cm) flat elbow	12 feet (3.7 m)
3-1/4" x 10" (8.3 x 25.4 cm) wall cap	0 feet (0 m)



### 7" (17.8 cm) vent system

Recommended standard fittings

Vent piece	7" (17.8 cm) round	Vent piece	7" (17.8 cm) round
45° elbow	2.5 feet (0.8 m)	3-1/4" x 10" (8.3 x 25.4 cm) to 7" (17.8 cm)	4.5 feet (1.4 m)
90° elbow	5.0 feet (1.5 m)	3-1/4" x 10" (8.3 x 25.4 cm) to 7" (17.8 cm)	5 feet (1.5 m)
7" (17.8 cm) wall cap	0 feet (0 m)	90° elbow	

