



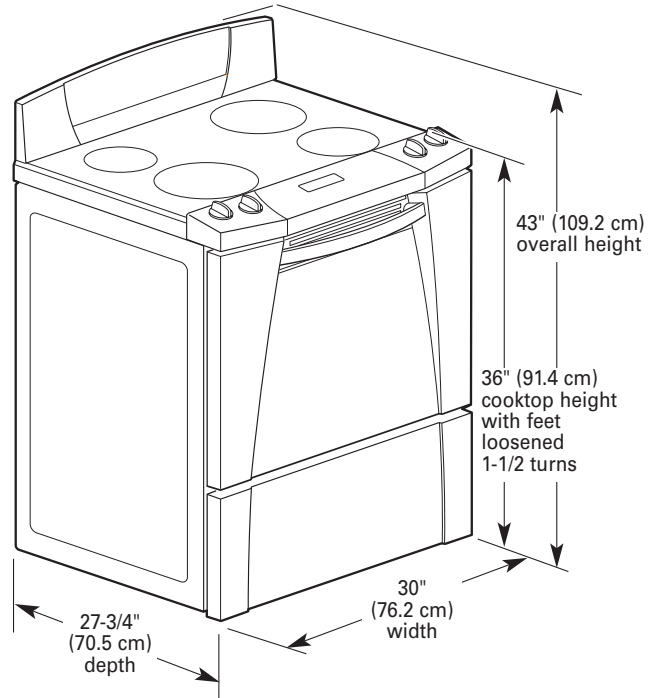
Freestanding Electric Range

PRODUCT MODEL NUMBERS

GR556LRK

Electrical: When a four-wire or three-wire, single-phase, 120/240-volt, 60-Hz, AC-only, electrical supply is available, a 50-amp maximum circuit protection is required, (or, if specified on the model/serial rating plate, when a four-wire or three-wire, single-phase 120/208-volt, 60 Hz, AC-only electrical supply is available, a 40-amp maximum circuit protection is required), fused on both sides of the line. A time-delay fuse or circuit breaker is recommended. The model/serial rating plate is located on the oven frame behind the drawer.

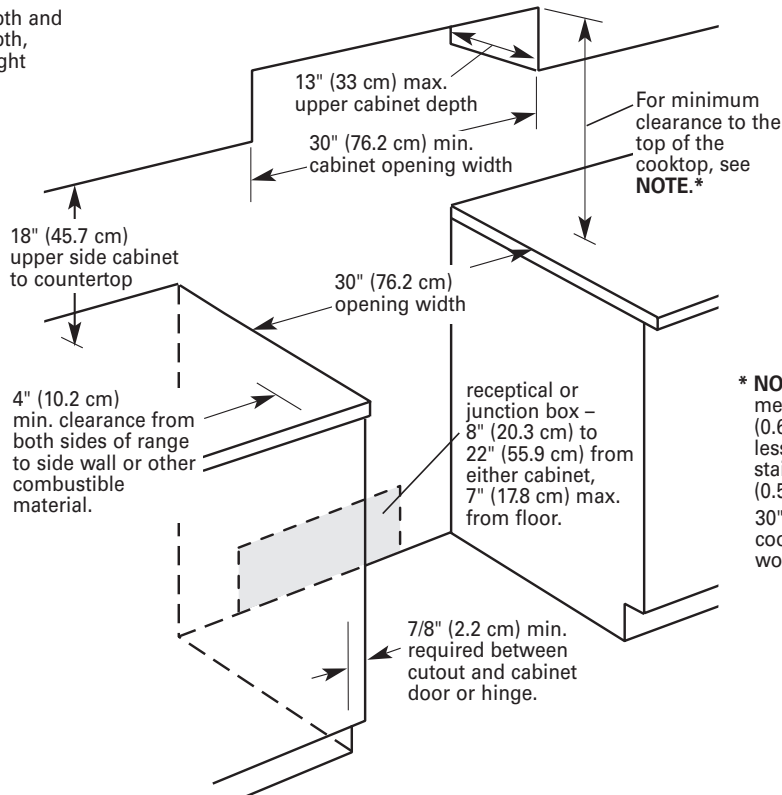
OVERALL DIMENSIONS



When installed in a 24" (61 cm) base cabinet with 25" (63.5 cm) countertop — front of oven door protrudes 1-7/8" (4.8 cm) beyond 24" (61 cm) base cabinet.

CABINET OPENING DIMENSIONS

25" (63.5 cm) countertop depth and
24" (61 cm) base cabinet depth,
36" (91.4 cm) countertop height



For minimum clearance to the top of the cooktop, see **NOTE.***

*** NOTE:** 24" (61 cm) min. when bottom of wood or metal cabinet is protected by not less than 1/4" (0.64 cm) flame retardant millboard covered with not less than No. 28 MSG sheet steel, 0.015" (0.4 mm) stainless steel, 0.024" (0.6 mm) aluminum or 0.020" (0.5 mm) copper.
30" (76.2 cm) min. clearance between the top of the cooking platform and the bottom of an unprotected wood or metal cabinet.