



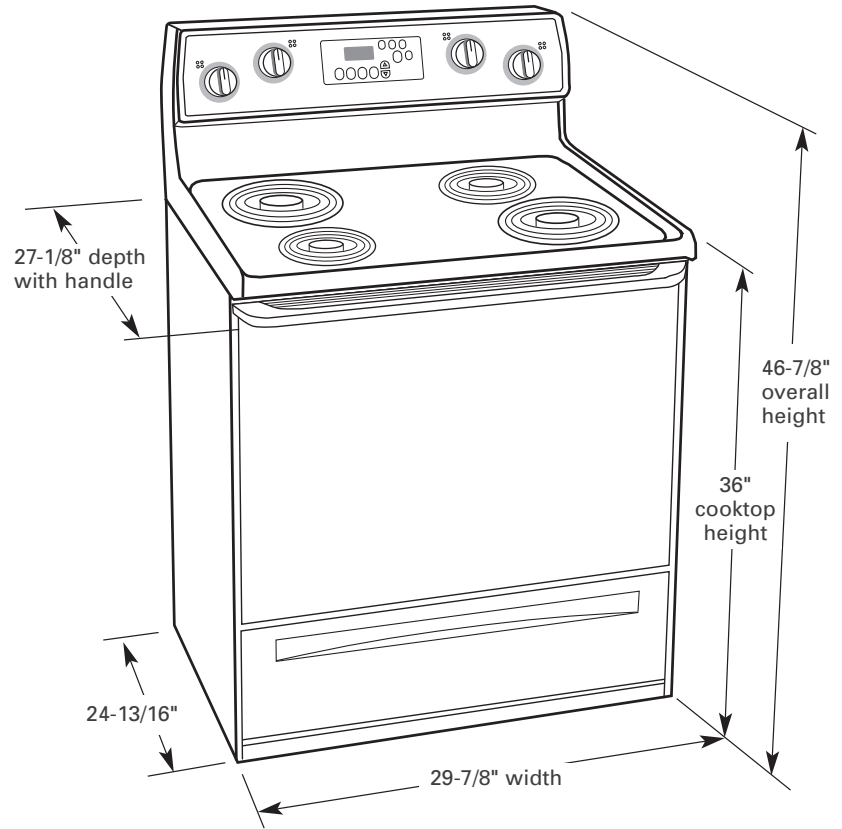
30" Freestanding Electric Range

PRODUCT MODEL NUMBERS

GR440LXM	RF340BXX
GR445LXM	RF341BXX
GR458LXM	RF352BXX
GR470LXM	RF361PXX
GR475LXM	RF362BXX
RF196LXM	RF364LXM
RF198LXM	RF364PXM
RF3020XK	RF365PXM
RF302BXX	RF367LXM
RF303PXX	RF368LXM
RF314PXM	RF378LXM
RF315PXM	RF379LXM
RF315PXM	RF380LXM

Electrical: Use 8 gauge copper or 6 gauge aluminum wire. A four-wire or three-wire, single-phase, 120/240-volt, 60-Hz, AC-only, electrical supply is required on a 40 amp circuit, (or, if specified on the model/serial rating plate, a four-wire or three-wire, single-phase 120/208-volt, 60 Hz, AC-only electrical supply is available, a 40 amp circuit), fused on both sides of the line. A time-delay fuse or circuit breaker is recommended. The model/serial rating plate is located on the oven frame behind the storage drawer panel.

OVERALL DIMENSIONS



CABINET OPENING DIMENSIONS

