



---

## GAS RANGE

### Use & Care Guide

For questions about features, operation/performance parts, accessories or service, call: **1-800-253-1301**.

In Canada, call for assistance **1-800-461-5681**, for installation and service, call: **1-800-807-6777**

or visit our website at...  
[www.whirlpool.com](http://www.whirlpool.com) or [www.whirlpool.com/canada](http://www.whirlpool.com/canada)

---

## CUISINIÈRE À GAZ

### Guide d'utilisation et d'entretien

Au Canada, pour assistance, composez le **1-800-461-5681**, pour installation ou service **1-800-807-6777**

ou visitez notre site web à  
[www.whirlpool.com/canada](http://www.whirlpool.com/canada)

---

Table of Contents/Table des matières ..... 2

---

To the installer: Please leave this instruction book with the unit.  
To the consumer: Please read and keep this book for future reference.

Pour l'installateur : laisser ce manuel d'instructions avec l'appareil.  
Pour le consommateur : lire ce manuel et le conserver pour consultation ultérieure.

## TABLE OF CONTENTS

<b>RANGE SAFETY</b> .....	<b>3</b>
The Anti-Tip Bracket .....	4
<b>PARTS AND FEATURES</b> .....	<b>5</b>
<b>COOKTOP USE</b> .....	<b>6</b>
Cooktop Controls .....	6
Surface Burners .....	6
Home Canning .....	7
Cookware .....	7
<b>ELECTRONIC OVEN CONTROL</b> .....	<b>8</b>
Display .....	8
Start .....	8
Off/Cancel .....	8
Clock .....	8
Tones .....	8
Timer .....	9
Control Lock .....	9
Oven Temperature Calibration .....	9
<b>OVEN USE</b> .....	<b>9</b>
Aluminum Foil .....	9
Positioning Racks and Bakeware .....	10
Bakeware .....	10
Meat Thermometer .....	10
Oven Vent .....	11
Bake .....	11
Broil .....	11
Timed Cooking .....	12
<b>RANGE CARE</b> .....	<b>13</b>
Self-Cleaning Cycle .....	13
Cleaning .....	14
Oven Light .....	15
Storage Drawer .....	15
Oven Door .....	15
<b>TROUBLESHOOTING</b> .....	<b>16</b>
<b>ASSISTANCE OR SERVICE</b> .....	<b>17</b>
<b>WARRANTY</b> .....	<b>18</b>

## TABLE DES MATIÈRES

<b>SÉCURITÉ DE LA CUISINIÈRE</b> .....	<b>19</b>
La bride antibasculement .....	20
<b>PIÈCES ET CARACTÉRISTIQUES</b> .....	<b>21</b>
<b>UTILISATION DE LA TABLE DE CUISSON</b> .....	<b>22</b>
Commandes de la table de cuisson .....	22
Brûleurs de surface .....	22
Préparation de conserves à la maison .....	23
Ustensiles de cuisson .....	23
<b>COMMANDES ÉLECTRONIQUES DU FOUR</b> .....	<b>24</b>
Affichage .....	24
Mise en marche .....	24
Arrêt/Annulation .....	24
Horloge .....	24
Signaux sonores .....	24
Minuterie .....	25
Verrouillage des commandes .....	25
Commande de température du four .....	25
<b>UTILISATION DU FOUR</b> .....	<b>26</b>
Papier d'aluminium .....	26
Positionnement des grilles et des ustensiles de cuisson .....	26
Ustensiles de cuisson .....	26
Thermomètre à viande .....	27
Évent du four .....	27
Cuisson au four .....	27
Cuisson au gril .....	28
Cuisson minutée .....	29
<b>ENTRETIEN DE LA CUISINIÈRE</b> .....	<b>29</b>
Programme d'autonettoyage .....	29
Nettoyage général .....	30
Lampe du four .....	31
Tiroir de remisage .....	32
Porte du four .....	32
<b>DÉPANNAGE</b> .....	<b>32</b>
<b>ASSISTANCE OU SERVICE</b> .....	<b>34</b>
<b>GARANTIE</b> .....	<b>35</b>



# RANGE SAFETY

## Your safety and the safety of others are very important.

We have provided many important safety messages in this manual and on your appliance. Always read and obey all safety messages.



This is the safety alert symbol.

This symbol alerts you to potential hazards that can kill or hurt you and others.

All safety messages will follow the safety alert symbol and either the word "DANGER" or "WARNING." These words mean:

**⚠ DANGER**

**You can be killed or seriously injured if you don't immediately follow instructions.**

**⚠ WARNING**

**You can be killed or seriously injured if you don't follow instructions.**

All safety messages will tell you what the potential hazard is, tell you how to reduce the chance of injury, and tell you what can happen if the instructions are not followed.

**WARNING: If the information in this manual is not followed exactly, a fire or explosion may result causing property damage, personal injury or death.**

- Do not store or use gasoline or other flammable vapors and liquids in the vicinity of this or any other appliance.
- **WHAT TO DO IF YOU SMELL GAS:**
  - Do not try to light any appliance.
  - Do not touch any electrical switch.
  - Do not use any phone in your building.
  - Immediately call your gas supplier from a neighbor's phone. Follow the gas supplier's instructions.
  - If you cannot reach your gas supplier, call the fire department.
- Installation and service must be performed by a qualified installer, service agency or the gas supplier.

The California Safe Drinking Water and Toxic Enforcement Act requires the Governor of California to publish a list of substances known to the State of California to cause cancer, birth defects, or other reproductive harm, and requires businesses to warn of potential exposure to such substances.

WARNING: This product contains a chemical known to the State of California to cause cancer, birth defects, or other reproductive harm.

This appliance can cause low-level exposure to some of the substances listed, including benzene, formaldehyde, carbon monoxide, toluene, and soot.

## The Anti-Tip Bracket

The range will not tip during normal use. However, the range can tip if you apply too much force or weight to the open door without the anti-tip bracket fastened down properly.

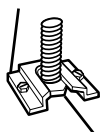


### **! WARNING**

#### Tip Over Hazard

- A child or adult can tip the range and be killed.**
- Connect anti-tip bracket to rear range foot.**
- Reconnect the anti-tip bracket, if the range is moved.**
- See the installation instructions for details.**
- Failure to follow these instructions can result in death or serious burns to children and adults.**

#### Anti-Tip Bracket



Range Foot

#### Making sure the anti-tip bracket is installed:

- **Slide range forward.**
- **Look for the anti-tip bracket securely attached to floor.**
- **Slide range back so rear range foot is under anti-tip bracket.**

## IMPORTANT SAFETY INSTRUCTIONS

**WARNING:** To reduce the risk of fire, electrical shock, injury to persons, or damage when using the range, follow basic precautions, including the following:

- **WARNING:** TO REDUCE THE RISK OF TIPPING OF THE RANGE, THE RANGE MUST BE SECURED BY PROPERLY INSTALLED ANTI-TIP DEVICES. TO CHECK IF THE DEVICES ARE INSTALLED PROPERLY, SLIDE RANGE FORWARD, LOOK FOR ANTI-TIP BRACKET SECURELY ATTACHED TO FLOOR, AND SLIDE RANGE BACK SO REAR RANGE FOOT IS UNDER ANTI-TIP BRACKET.
- **CAUTION:** Do not store items of interest to children in cabinets above a range or on the backguard of a range – children climbing on the range to reach items could be seriously injured.
- **Proper Installation –** The range, when installed, must be electrically grounded in accordance with local codes or, in the absence of local codes, with the *National Electrical Code, ANSI/NFPA 70*. In Canada, the range must be electrically grounded in accordance with Canadian Electrical Code. Be sure the range is properly installed and grounded by a qualified technician.

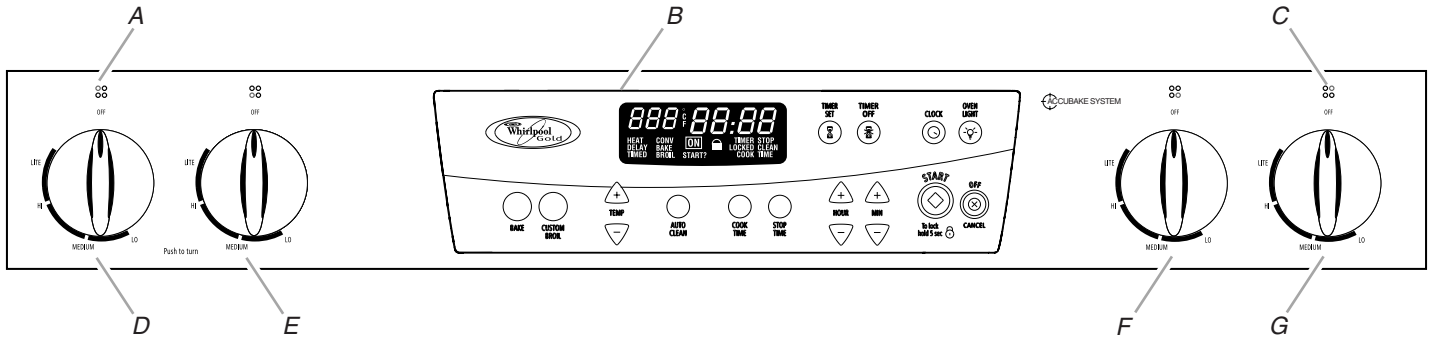
- This range is equipped with a three-prong grounding plug for your protection against shock hazard and should be plugged directly into a properly grounded receptacle. Do not cut or remove the grounding prong from this plug.
  - Disconnect the electrical supply before servicing the appliance.
  - Never Use the Range for Warming or Heating the Room.
  - Injuries may result from the misuse of appliance doors or drawers such as stepping, leaning, or sitting on the doors or drawers.
  - Maintenance – Keep range area clear and free from combustible materials, gasoline, and other flammable vapors and liquids.
  - Storage in or on the Range – Flammable materials should not be stored in an oven or near surface units.
  - Top burner flame size should be adjusted so it does not extend beyond the edge of the cooking utensil.
- For self-cleaning ranges –**
- Before Self-Cleaning the Oven – Remove broiler pan and other utensils. Wipe off all excessive spillage before initiating the cleaning cycle.

## SAVE THESE INSTRUCTIONS

# PARTS AND FEATURES

This manual covers several different models. The range you have purchased may have some or all of the items listed. The locations and appearances of the features shown here may not match those of your model.

## Control Panel

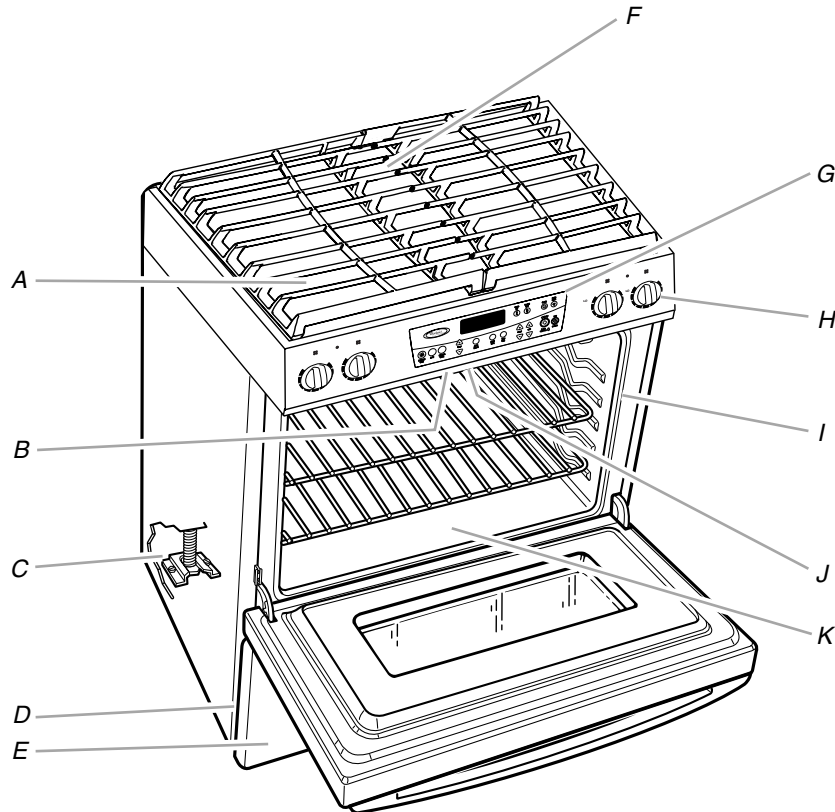


- A. Surface burner locator
- B. Electronic oven control
- C. Surface locator

- D. Left rear control knob
- E. Left front control knob

- F. Right front control knob
- G. Right rear control knob

## Range



- A. Burner and grate area
- B. Automatic oven light switch (underneath control panel)
- C. Anti-tip bracket

- D. Model and serial number plate (behind left side of storage drawer)
- E. Removable storage drawer
- F. Oven vent
- G. Electronic oven control

- H. Control panel
- I. Gasket
- J. Broil burner (not visible)
- K. Bake burner (not visible)

# COOKTOP USE

## Cooktop Controls

### **! WARNING**



#### Fire Hazard

**Do not let the burner flame extend beyond the edge of the pan.**

**Turn off all controls when not cooking.**

**Failure to follow these instructions can result in death or fire.**

Electric igniters automatically light the surface burners when control knobs are turned to LITE.

The left front and right rear burners provide the highest heat setting. The left rear and right front burners allow more accurate simmer control at the lowest setting.

Before setting a control knob, place filled cookware on the grate. Do not operate a burner using empty cookware or while the grate is vacant.

#### To Set:

1. Push in and turn knob counterclockwise to LITE.  
All four surface burners will click. Only the burner with the control knob turned to LITE will produce a flame.
2. Turn knob anywhere between HI and LO. Use the following chart as a guide when setting heat levels.

SETTING	RECOMMENDED USE
LITE	<ul style="list-style-type: none"> <li>■ Lite the burner.</li> </ul>
HI	<ul style="list-style-type: none"> <li>■ Start food cooking.</li> <li>■ Bring liquid to a boil.</li> </ul>
BETWEEN HI and LO	<ul style="list-style-type: none"> <li>■ Hold a rapid boil.</li> <li>■ Quickly brown or sear food.</li> <li>■ Fry or sauté foods.</li> <li>■ Cook soups, sauces and gravies.</li> <li>■ Stew or steam foods.</li> </ul>
LO	<ul style="list-style-type: none"> <li>■ Keep food warm.</li> <li>■ Melt chocolate or butter.</li> <li>■ Simmer.</li> </ul>

**REMEMBER:** When range is in use or (on some models) during the Self-Cleaning cycle, the entire cooktop area may become hot.

#### Power failure

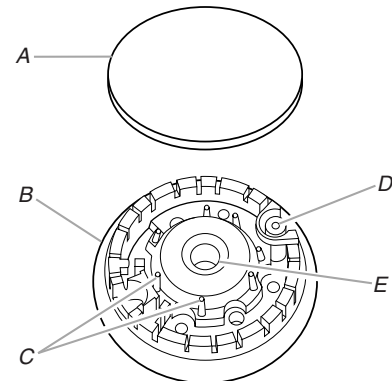
In case of prolonged power failure, the surface burners can be lighted manually. Hold a lit match near a burner and turn knob counterclockwise to LITE. After burner lights, turn knob to setting.

## Surface Burners

**IMPORTANT:** Do not obstruct the flow of combustion and ventilation air around the burner grate edges.

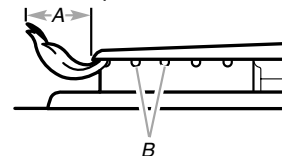
Before cleaning, make sure all controls are off and the oven and cooktop are cool. Do not use oven cleaners, bleach or rust removers.

**Burner cap:** Always keep the burner cap in place when using a surface burner. A clean burner cap will help prevent poor ignition and uneven flames. Always clean the burner cap after a spillover and routinely remove and clean the caps according to the "Cleaning" section.



- A. Burner cap
- B. Burner base
- C. Alignment pins
- D. Igniter
- E. Gas tube opening

**Gas tube opening:** Gas must flow freely throughout the gas tube opening for the burner to light properly. Keep this area free of soil and do not allow spills, food, cleaning agents or any other material to enter the gas tube opening. Protect it from spillovers by always using a burner cap.

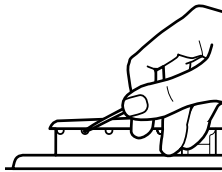


- A. 1-1½" (25-38 mm)
- B. Burner ports

**Burner ports:** Check burner flames occasionally for proper size and shape as shown above. A good flame is blue in color, not yellow. Keep this area free of soil and do not allow spills, food, cleaning agents or any other material to enter the burner ports.

## To Clean:

1. Remove the burner cap from the burner base and clean according to "Cleaning" section.
2. Clean the gas tube opening with a damp cloth.
3. Clean clogged burner ports with a straight pin as shown. Do not enlarge or distort the port. Do not use a wooden toothpick. If the burner needs to be adjusted, contact a trained repair specialist.



4. Replace the burner cap, making sure the alignment pins on the cap are properly aligned with the burner base.



A. Incorrect  
B. Correct

5. Turn on the burner. If the burner does not light, check cap alignment. If the burner still does not light, do not service the sealed burner yourself. Contact a trained repair specialist.

## Home Canning

When canning for long periods, alternate the use of surface cooking areas, elements or surface burners between batches. This allows time for the most recently used areas to cool.

- Center the canner on the grate or largest surface cooking area or element. Canners should not extend more than 1" (2.5 cm) outside the cooking area.
- Do not place canner on 2 surface cooking areas, elements or surface burners at the same time.
- On ceramic glass models, use only flat-bottomed canners.
- On coil element models, the installation of a Canning Unit Kit is recommended. If a kit is not installed, the life of the coil element will be shortened. See "Assistance or Service" for ordering instructions.
- For more information, contact your local U.S. Government Agricultural Department Extension Office. In Canada, contact Agriculture Canada. Companies that manufacture home canning products can also offer assistance.

## Cookware

**IMPORTANT:** Do not leave empty cookware on a hot surface cooking area, element or surface burner.

Ideal cookware should have a flat bottom, straight sides, a well-fitting lid and the material should be of medium-to-heavy thickness.

Rough finishes may scratch the cooktop. Aluminum and copper may be used as a core or base in cookware. However, when used as a base they can leave permanent marks on the cooktop or grates.

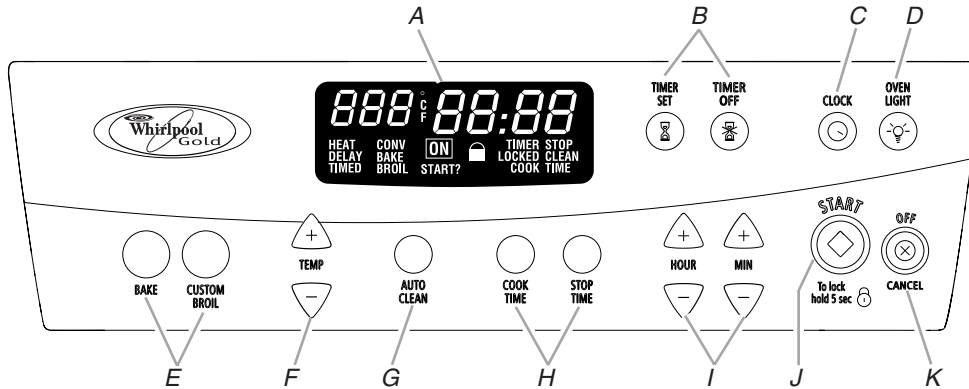
Cookware material is a factor in how quickly and evenly heat is transferred, which affects cooking results. A nonstick finish has the same characteristics as its base material. For example, aluminum cookware with a nonstick finish will take on the properties of aluminum.

Griddles with nonstick surfaces should not be used in the broiler.

Use the following chart as a guide for cookware material characteristics.

COOKWARE	CHARACTERISTICS
<b>Aluminum</b>	<ul style="list-style-type: none"><li>■ Heats quickly and evenly.</li><li>■ Suitable for all types of cooking.</li><li>■ Medium or heavy thickness is best for most cooking tasks.</li></ul>
<b>Cast iron</b>	<ul style="list-style-type: none"><li>■ Heats slowly and evenly.</li><li>■ Good for browning and frying.</li><li>■ Maintains heat for slow cooking.</li></ul>
<b>Ceramic or Ceramic glass</b>	<ul style="list-style-type: none"><li>■ Follow manufacturer's instructions.</li><li>■ Heats slowly, but unevenly.</li><li>■ Ideal results on low to medium heat settings.</li></ul>
<b>Copper</b>	<ul style="list-style-type: none"><li>■ Heats very quickly and evenly.</li></ul>
<b>Earthenware</b>	<ul style="list-style-type: none"><li>■ Follow manufacturer's instructions.</li><li>■ Use on low heat settings.</li></ul>
<b>Porcelain enamel-on-steel or cast iron</b>	<ul style="list-style-type: none"><li>■ See stainless steel or cast iron.</li></ul>
<b>Stainless steel</b>	<ul style="list-style-type: none"><li>■ Heats quickly, but unevenly.</li><li>■ A core or base of aluminum or copper on stainless steel provides even heating.</li></ul>

# ELECTRONIC OVEN CONTROL



- A. Oven display
- B. Timer functions
- C. Clock
- D. Oven light

- E. Oven settings
- F. Temperature adjustment
- G. Auto clean
- H. Timed cooking

- I. Hour and minute
- J. Start and control lock
- K. Off/cancel

## Display

When power is first supplied to the appliance, everything on the display will light up for 1 to 2 seconds, then the time of day and "PF" will appear. Press OFF/CANCEL to clear "PF" from the display.

If "PF" appears at any other time, a power failure has occurred. Press OFF/CANCEL and reset the clock if needed.

When the oven is in use, the display shows preheat time and the temperature and oven setting.

When the oven is not in use, the display shows the time of day.

When using the TIMER, for settings of 1 to 59 minutes, the display will count down in seconds. For settings 1 hour or over, the display will count down hours and minutes.

When using COOK TIME, the display will show hours and minutes. When using STOP TIME, the display will show minutes and seconds.

## Start

After setting a function, you must press the START button to start the function. If you do not press the START button within 5 seconds, "START?" will be displayed as a reminder.

## Off/Cancel

The OFF/CANCEL button stops any function except the Clock, Timer and Control Lock. When you press the OFF/CANCEL button, the display will show the time of day, or the time remaining if the TIMER is being used.

## Clock

On some models, if you do not want the clock time to be displayed, press and hold the CLOCK pad (button) for 5 seconds. When the clock is not displayed, you can see the time for 5 seconds by pressing the CLOCK pad (button).

### To Set:

Before setting, make sure the oven, TIMER and COOK TIME are off.

1. Press CLOCK.
2. Press the HOUR and MIN "up" or "down" arrow pads (buttons) to set the time of day.
3. Press CLOCK or START.

## Tones

Tones are audible signals which indicate that a function has been entered correctly, or when a cycle has ended.

### To shut off all tones except the end-of-timer and error tones:

1. Press and hold the STOP TIME button for 5 seconds.
2. A short tone will sound when the tones have been changed. To turn tones back on, repeat Step 1.
3. "Off" will be displayed for 3 seconds when the tones have been turned off, and "ON" will be displayed for 3 seconds when the tones have been turned back on.



---

## Timer

The Timer can be set in hours or minutes up to 12 hours and 59 minutes, and counts down the set time.

**NOTE:** The Timer does not start or stop the oven.

### To Set:

1. Press TIMER SET.  
If no action is taken after 5 minutes, the display will return to the time of day mode.
2. Press the HOUR and MIN “up” or “down” arrow pads (buttons) to set the length of time.
3. Press START.  
If not pressed within 5 seconds, the display will return to the time of day mode and the programmed function will be canceled.  
  
When the set time ends, end-of-cycle tones will sound. While still on, the reminder tones will sound every minute.
4. Press TIMER OFF anytime to cancel the Timer.  
Remember, do not press the OFF/CANCEL pad (button) because the oven will turn off.

To display the time of day when the timer is counting down, press CLOCK.

---

## Control Lock

The Control Lock shuts down the control panel pads (buttons) to prevent unintended use of the oven(s).

When the control is locked, only the CLOCK, TIMER SET, TIMER OFF, and OVEN LIGHT pads (buttons) will function.

The Control Lock is preset unlocked, but can be locked.

**To Lock/Unlock Control:** Before locking, make sure the oven, Timer and Timed Cooking (COOK TIME on some models) are off. Press and hold START for 5 seconds, or until a single tone sounds, “LOC” and a picture of a lock appear on the display. Repeat to unlock and remove “LOC” from display.

---

## Oven Temperature Calibration

**IMPORTANT:** Do not use a thermometer to measure oven temperature because opening the oven door during cycling may give incorrect readings.

The oven provides accurate temperatures; however, it may cook faster or slower than your previous oven, so the temperature calibration can be adjusted. It can be changed in Fahrenheit or Celsius.

A minus sign means the oven will be cooler by the displayed amount. The absence of a sign means the oven will be warmer by the displayed amount. Use the following chart as a guide.

---

ADJUSTMENT °F (ADJUSTMENT °C)	COOKS FOOD
10°F (5°C)	...a little more
20°F (10°C)	...moderately more
30°F (15°C)	...much more
-10°F (-5°C)	...a little less
-20°F (-10°C)	...moderately less
-30°F (-15°C)	...much less

---

### To Adjust Oven Temperature Calibration:

1. Press and hold BAKE for 5 seconds until the oven display shows the current calibration, for example “0° CAL.”
2. Press the TEMP “up” or “down” arrow pads (buttons) to increase or to decrease the temperature in 10°F (5°C) amounts. The adjustment can be set between 30°F (15°C) and -30°F (-15°C).
3. Press START.

### To Display Temperatures in °C instead of °F:

Press and hold the CUSTOM BROIL button for 5 seconds. A short tone will sound, and the temperature display will switch to °C. Repeat to switch back to °F.

---

## OVEN USE

Odors and smoke are normal when the oven is used the first few times, or when it is heavily soiled.

**IMPORTANT:** The health of some birds is extremely sensitive to the fumes given off. Exposure to the fumes may result in death to certain birds. Always move birds to another closed and well ventilated room.

---

## Aluminum Foil

**IMPORTANT:** Do not line the oven bottom with any type of foil, liners or cookware because permanent damage will occur to the oven bottom finish.

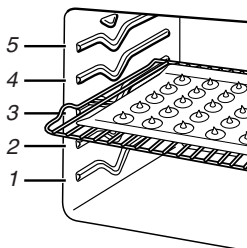
- On those models with bottom vents, do not block or cover the oven bottom vents.
- Do not cover entire rack with foil because air must be able to move freely for best cooking results.
- To catch spills, place foil on rack below dish. Make sure foil is at least 1" (2.5 cm) larger than the dish and that it is turned up at the edges.

## Positioning Racks and Bakeware

**IMPORTANT:** Do not place food or bakeware directly on the oven door or bottom. Permanent damage will occur to the porcelain finish.

### RACKS

Position racks before turning the oven on. Do not move racks with bakeware on them. Make sure racks are level. To move a rack, pull it out to the stop position, raise the front edge, then lift out. Use the following illustration and chart as a guide.



FOOD	RACK POSITION
Frozen pies, large roasts, turkeys, angel food cakes	1 or 2
Bundt cakes, most quick breads, yeast breads, casseroles, meats	2
Cookies, biscuits, muffins, cakes, nonfrozen pies	2 or 3
Extra-large items	Extra oven rack

### BAKEWARE

To cook food evenly, hot air must be able to circulate. Allow 2" (5 cm) of space around bakeware and oven walls. Use the following chart as a guide.

NUMBER OF PAN(S)	POSITION ON RACK
1	Center of rack.
2	Side by side or slightly staggered.
3 or 4	Opposite corners on each rack. Make sure bakeware is not directly over another.

## Bakeware

The bakeware material affects cooking results. Follow manufacturer's recommendations and use the bakeware size recommended in the recipe. Use the following chart as a guide.

BAKEWARE/ RESULTS	RECOMMENDATIONS
<b>Light colored aluminum</b> <ul style="list-style-type: none"> <li>Light golden crusts</li> <li>Even browning</li> </ul>	<ul style="list-style-type: none"> <li>Use temperature and time recommended in recipe.</li> </ul>
<b>Dark aluminum and other bakeware with dark, dull and/or nonstick finish</b> <ul style="list-style-type: none"> <li>Brown, crisp crusts</li> </ul>	<ul style="list-style-type: none"> <li>May need to reduce baking temperatures 25°F (15°C).</li> <li>Use suggested baking time.</li> <li>For pies, breads and casseroles, use temperature recommended in recipe.</li> <li>Place rack in center of oven.</li> </ul>
<b>Insulated cookie sheets or baking pans</b> <ul style="list-style-type: none"> <li>Little or no bottom browning</li> </ul>	<ul style="list-style-type: none"> <li>Place in the bottom third of oven.</li> <li>May need to increase baking time.</li> </ul>
<b>Stainless steel</b> <ul style="list-style-type: none"> <li>Light, golden crusts</li> <li>Uneven browning</li> </ul>	<ul style="list-style-type: none"> <li>May need to increase baking time.</li> </ul>
<b>Stoneware</b> <ul style="list-style-type: none"> <li>Crisp crusts</li> </ul>	<ul style="list-style-type: none"> <li>Follow manufacturer's instructions.</li> </ul>
<b>Ovenproof glassware, ceramic glass or ceramic</b> <ul style="list-style-type: none"> <li>Brown, crisp crusts</li> </ul>	<ul style="list-style-type: none"> <li>May need to reduce baking temperatures 25°F (15°C).</li> </ul>

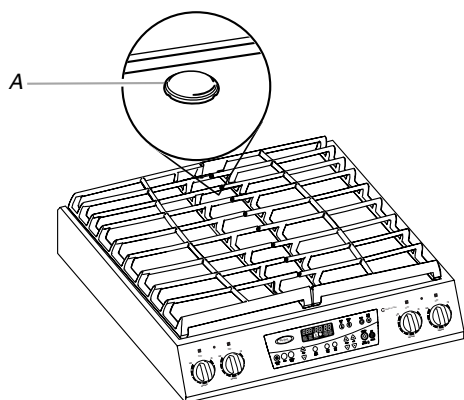
## Meat Thermometer

On models without a temperature probe, always rely on a meat thermometer to determine doneness of meat and poultry. The internal temperature, not appearance, is what counts. A meat thermometer is not supplied with this appliance.

- Insert the thermometer into the center of the thickest portion of the meat or inner thigh or breast of poultry. The tip of the thermometer should not touch fat, bone or gristle.
- After reading the thermometer once, push it into the meat  $\frac{1}{2}$ " (1.25 cm) more and read again. If the temperature drops, cook the meat or poultry longer.
- Check all meat in 2 or 3 places.

---

## Oven Vent



A. Oven vent cap

The oven vent should not be blocked or covered since it allows the release of hot air and moisture from the oven. Blocking or covering the vent will cause poor air circulation, affecting cooking and cleaning results. Do not set plastics, paper or other items that could melt or burn near the oven vent.

---

## Bake

The oven automatically regulates the heat levels to maintain a precise temperature range for optimal cooking results. During preheat, both the top and bottom burners will cycle on and off. During bake, just the bottom burner will cycle on and off.

### To Bake or Roast:

Before baking and roasting, position the racks according to the “Positioning Racks and Bakeware” section. When roasting, it is not necessary to wait for the oven to preheat before putting food in, unless it is recommended in the recipe.

#### 1. Press BAKE.

Press the TEMP “up” or “down” arrow pads (buttons) to enter a temperature other than 350°F (175°C). Press the “up” or “down” pads (buttons) to raise or lower the temperature in 5°F/5°C increments.

#### 2. Press START.

A preheat time will count down, and “PrE” will appear on the display. The oven control automatically sets preheating times based on the oven temperature you select.

When the actual oven temperature is reached, the set temperature will replace “PrE” on the display.

When the set temperature is reached, if on, one tone will sound.

#### 3. Press OFF/CANCEL when finished cooking.

The temperature can be changed any time after pressing START.

### Preheating

Preheat temperatures are affected by varying factors such as room temperature and peak energy usage times. It is normal for the temperature showing on the display and the actual oven temperature to differ.

Waiting an additional 10 minutes after the preheat conditioning time ends to put food in the oven is suggested when baking foods with leavening ingredients, such as yeast, baking powder, baking soda and eggs.

---

## Broil

Broiling uses direct radiant heat from the broil burner to cook food. During broiling, the broil burner cycles on and off in intervals to maintain the oven temperature.

If the oven door is opened during broiling, the broil burner will turn off immediately and come back on once the door is closed.

- Use only the broiler pan and grid provided with the appliance. It is designed to drain juices and help prevent spatter and smoke.
- For proper draining, do not cover the grid with foil. The bottom of the pan may be lined with aluminum foil for easier cleaning.
- Trim excess fat to reduce spattering. Slit the remaining fat on the edges to prevent curling.
- Pull out oven rack to stop position before turning or removing food. Use tongs to turn food to avoid the loss of juices. Very thin cuts of fish, poultry or meat may not need to be turned.
- After broiling, remove the pan from the oven when removing the food. Drippings will bake on the pan if left in the heated oven, making cleaning more difficult.

### To Broil:

Before broiling, position the rack according to the Broiling Chart.

Position food on the grid in the broiler pan, then place it in the center of the oven rack with the longest side parallel to the door. It is not necessary to preheat the oven before putting food in, unless recommended in the recipe.

Close the door.

1. Press BROIL.
2. Press START.

The set oven temperature will appear on the display until the oven is turned off.

3. Press OFF/CANCEL when finished cooking.

### To Vari Broil:

Changing the temperature when custom broiling allows more precise control when cooking. The lower the temperature, the slower the cooking. Thicker cuts and unevenly shaped pieces of meat, fish and poultry may cook better at lower broiling temperatures.

1. Press CUSTOM BROIL. “HI” will appear on display.

Press the TEMP “up” or “down” arrow pads to enter a temperature other than 500°F (260°C). The broil range can be set between 300°F and 525°F (149°C and 274°C). “HI” will appear instead of 525°F (274°C).

2. Press START.

The set oven temperature will appear on the oven display until the oven is turned off.

3. Press OFF/CANCEL when finished cooking.

## BROILING CHART

For best results, place food 3" (7 cm) or more from the broil burner. Times are guidelines only and may need to be adjusted for individual foods and tastes. Recommended rack positions are numbered from the bottom (1) to the top (4). Do not use position 5. For diagram, see the "Positioning Racks and Bakeware" section.

FOOD	RACK POSITION	COOK TIME minutes	
		SIDE 1	SIDE 2
<b>Chicken</b>			
bone-in pieces	3	17-20	17-20
boneless breasts	4	11-16	11-16
<b>Fish</b>			
Fillet ¼- ½" (.6-1.25 cm) thick	4	8-10	4-5
Steaks ¾- 1" (2-2.5 cm) thick	4	16-18	8-9
<b>Frankfurters</b>	4	5-7	3-4
<b>Ground meat patties*</b>			
¾" (2 cm) thick well-done	4	13-14	7-8
<b>Ham slice, precooked</b>			
½" (1.25 cm) thick	4	8-10	4-5
<b>Lamb chops</b>			
1" (2.5 cm) thick	4	14-17	8-9
<b>Pork chops</b>			
1" (2.5 cm) thick	4	20-22	10-11
<b>Steak</b>			
1" (2.5 cm) thick			
medium rare	4	14-15	7-8
medium	4	15-16	8-9
well-done	4	18-19	9-10

\*Place up to 9 patties, equally spaced, on broiler grid.

## Timed Cooking

### ⚠ WARNING

#### Food Poisoning Hazard

**Do not let food sit in oven more than one hour before or after cooking.**

**Doing so can result in food poisoning or sickness.**

Timed Cooking allows the oven to be set to turn on at a certain time of day, cook for a set length of time, and/or shut off automatically. Delay start should not be used for food such as breads and cakes because they may not bake properly.

#### To Set a Cook Time:

1. Press the desired cook function.  
Press the TEMP "up" or "down" arrow pads to enter a temperature other than the one displayed.
2. Press COOK TIME.
3. Press the HOUR and MIN "up" or "down" arrow pads to enter the desired time for cooking.
4. Press START.

The display will count down the time.

When the time ends, the oven will shut off automatically and "End" will appear on the display.

End-of-cycle tones will sound. While still on, the reminder tones will sound every minute.

5. Press OFF/CANCEL or open the oven door to clear the display and stop reminder tones.

#### To Set a Delayed Cook Time:

Before setting, make sure the clock is set to the correct time of day. See "Clock" section.

1. Press the desired cook function.  
Press the TEMP "up" or "down" arrow pads to enter a temperature other than the one displayed.
2. Press STOP TIME.
3. Press the HOUR and MIN "up" or "down" arrow pads to enter the desired time to end cooking.
4. To begin cooking immediately, press START.

#### OR

To begin at a later time, press COOK TIME.

5. Press the HOUR and MIN "up" or "down" arrow pads to enter the cook time.
6. Press START.  
"DELAYED TIME" will appear on the display.

When the start time is reached, the oven will automatically turn on.

When the stop time is reached, the oven will shut off automatically and "End" will appear on the display.

End-of-cycle tones will sound. While still on, the reminder tones will sound every minute.

7. Press OFF/CANCEL or open the oven door to clear the display and stop reminder tones.

# RANGE CARE

## Self-Cleaning Cycle (on some models)

### **⚠ WARNING**



#### **Burn Hazard**

**Do not touch the oven during the Self-Cleaning cycle.**

**Keep children away from oven during Self-Cleaning cycle.**

**Failure to follow these instructions can result in burns.**

**IMPORTANT:** The health of some birds is extremely sensitive to the fumes given off during the Self-Cleaning cycle. Exposure to the fumes may result in death to certain birds. Always move birds to another closed and well ventilated room.

Self-clean the oven before it becomes heavily soiled. Heavy soil results in longer cleaning and more smoke.

Keep the kitchen well-ventilated during the Self-Cleaning cycle to help get rid of heat, odors, and smoke.

Do not block the oven vent(s) during the Self-Cleaning cycle. Air must be able to move freely. Depending on your model, see "Oven Vent" section.

Do not clean, rub, damage or move the oven door gasket. The door gasket is essential for a good seal.

#### **Prepare Oven:**

- Remove the broiler pan, grid, cookware and bakeware and, on some models, the temperature probe from the oven.
- Remove any foil from the oven because it may burn or melt, damaging the oven.
- Remove oven racks to keep them shiny and easy to slide. See "Cleaning" section for more information.
- Hand clean inside door edge and the 1½" (3.8 cm) area around the inside oven cavity frame, being careful not to move or bend the gasket. This area does not get hot enough during self-cleaning to remove soil. Do not let water, cleaner, etc. enter slots on door frame. Use a damp cloth to clean this area.
- Wipe out any loose soil to reduce smoke and avoid damage. At high temperatures, foods react with porcelain. Staining, etching, pitting or faint white spots can result. This will not affect cooking performance.

#### **How the Cycle Works**

**IMPORTANT:** The heating and cooling of porcelain on steel in the oven may result in discoloring, loss of gloss, hairline cracks and popping sounds.

The Self-Cleaning cycle uses very high temperatures, burning soil to a powdery ash.

The oven is preset for a 3 hour 30 minute clean cycle, but the time can be changed. Suggested clean times are 2 hours 30 minutes for light soil and between 3 hours 30 minutes to 4 hours 30 minutes for average to heavy soil.

Once the oven has completely cooled, remove ash with a damp cloth.

The oven light will not work during the Self-Cleaning cycle.

#### **To Self-Clean:**

Before self-cleaning, make sure the door is closed completely or it will not lock and the cycle will not begin.

1. Press AUTO CLEAN.
2. Press the HOUR and MIN "up" or "down" arrow pads to set a clean time other than 3 hours 30 minutes. The clean time can be set between 2 hours 30 minutes and 4 hours 30 minutes.
3. Press START.

The oven door will automatically lock. "LOCKED" will appear on the display. The door will not unlock until the oven cools.

When the cycle is complete and the oven cools, "End" will appear on the oven display and "LOCKED" will disappear.

4. Press OFF/CANCEL or open the oven door to clear the oven display.

#### **To Delay Start Self-Clean:**

Before delay starting Self-Clean, make sure the clock is set to the correct time of day. See "Clock" section. Also, make sure the door is closed completely or it will not lock and the cycle will not begin.

1. Press AUTO CLEAN.  
Press the HOUR and MIN "up" or "down" arrow pads to set a clean time other than 3 hours 30 minutes. The clean time can be set between 2 hours 30 minutes and 4 hours 30 minutes.

2. Press STOP TIME.

3. Press the HOUR and MIN "up" or "down" arrows pads to enter the time of day to stop.

4. Press START.

The start time is automatically calculated and displayed.

The door will automatically lock and "LOCKED," "CLEAN" and "DELAY TIMED" will appear on the display. The door will not unlock until the oven cools.

When the start time is reached, the oven will automatically turn on.

When the cycle is complete and the oven cools, "End" will appear on the display and "LOCKED" will disappear.

5. Press any pad or open the oven door to clear the oven display.

#### **To Stop Self-Clean any time:**

Press OFF/CANCEL. If the oven temperature is too high, the door will remain locked. It will not unlock until the oven cools.

---

## Cleaning

**IMPORTANT:** Before cleaning, make sure all controls are off and the oven and cooktop are cool. Always follow label instructions on cleaning products.

Soap, water and a soft cloth or sponge are suggested first unless otherwise noted.

---

### EXTERIOR PORCELAIN ENAMEL SURFACES (on some models)

Food spills containing acids, such as vinegar and tomato, should be cleaned as soon as the entire appliance is cool. These spills may affect the finish.

- Glass cleaner, mild liquid cleaner or nonabrasive scrubbing pad:

Gently clean around the model and serial number plate because scrubbing may remove numbers.

---

### PORCELAIN-COATED GRATES AND CAPS

Food spills containing acids, such as vinegar and tomato, should be cleaned as soon as the cooktop, grates and caps are cool. These spills may affect the finish.

To avoid chipping, do not bang grates and caps against each other or hard surfaces such as cast iron cookware.

Do not reassemble caps on burners while wet.

Do not clean in the Self-Cleaning cycle.

- Nonabrasive plastic scrubbing pad and mildly abrasive cleanser:

Clean as soon as cooktop, grates and caps are cool.

- Dishwasher (grates only, not caps):

Use the most aggressive cycle.

---

### SURFACE BURNERS

#### Sealed Burner models

See “Sealed Surface Burners” section.

#### Open Burner models

See “Surface Burners” section.

---

### COOKTOP CONTROLS

Do not use steel wool, abrasive cleansers or oven cleaner.

Do not soak knobs.

When replacing knobs, make sure knobs are in the Off position.

On some models, do not remove seals under knobs.

- Soap and water or dishwasher:

Pull knobs straight away from control panel to remove.

---

### CONTROL PANEL

Do not use abrasive cleaners, steel-wool pads, gritty washcloths or some paper towels. Damage may occur.

- Glass cleaner and soft cloth or sponge:

Apply glass cleaner to soft cloth or sponge, not directly on panel.

---

### OVEN DOOR EXTERIOR

- Glass cleaner and paper towels or nonabrasive plastic scrubbing pad:

Apply glass cleaner to soft cloth or sponge, not directly on panel.

---

### OVEN CAVITY

Do not use oven cleaners.

Food spills should be cleaned when oven cools. At high temperatures, foods react with porcelain and staining, etching, pitting or faint white spots can result.

- Self-Cleaning cycle:

See “Self-Cleaning Cycle” first.

---

### OVEN RACKS AND ROASTING RACKS

- Self-Cleaning cycle:

See “Self-Cleaning Cycle” first. Remove racks or they will discolor and become harder to slide. If this happens, a light coating of vegetable oil applied to the rack guides will help them slide.

- Steel-wool pad

---

### BROILER PAN AND GRID

Do not clean in the Self-Cleaning cycle (on some models).

- Mildly abrasive cleanser:

Scrub with wet scouring pad.

- Solution of ½ cup (125 mL) ammonia to 1 gal. (3.75 L) water: Soak for 20 minutes, then scrub with scouring or steel-wool pad.

- Oven cleaner:

Follow product label instructions.

#### Porcelain enamel only, not chrome

- Dishwasher

---

### STORAGE DRAWER

Make sure drawer is cool and empty before cleaning.

For more information, see “Storage Drawer” section.

- Mild detergent

---

## Oven Light

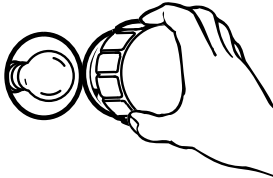
(on some models)

The oven light is a standard 15-watt appliance bulb. It will come on when the oven door is open. It will not work during the Self-Cleaning cycle (on some models). On some models, when the oven door is closed, press OVEN LIGHT to turn it on or off.

Before replacing, make sure the oven and cooktop are cool and the control knobs are off.

### To replace:

1. Unplug range or disconnect power.
2. Turn the glass bulb cover in the back of the oven counterclockwise to remove.



3. Turn bulb counterclockwise to remove from socket.
4. Replace bulb and bulb cover by turning clockwise.
5. Plug in range or reconnect power.

---

## Storage Drawer

The storage drawer can be removed. Before removing, make sure drawer is cool and empty.

### To remove:

1. Pull drawer straight out to the first stop.
2. Lift up the back of the drawer and pull out.

### To replace:

1. Fit the ends of the drawer rails into the guides in the cavity.
2. Slide the drawer closed.

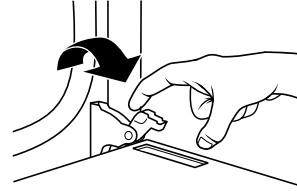
---

## Oven Door

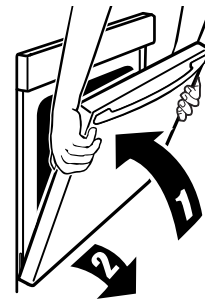
For normal range use, it is not suggested to remove the oven door. However, if removal is necessary, make sure the oven is off and cool. Then, follow these instructions. The oven door is heavy.

### To Remove:

1. Open oven door all the way.
2. Flip up the hinge latch on each side.



3. Close the oven door as far as it will shut.
4. Lift the oven door while holding both sides.  
Continue to push the oven door closed and pull it away from the oven door frame.



### To Replace:

1. Insert both hanger arms into the door.



2. Open the oven door.  
You should hear a “click” as the door is set into place.
3. Move the hinge levers back to the locked position. Ensure that the door is free to open and close. If it is not, repeat the removal and installation procedures.

---

# TROUBLESHOOTING

Try the solutions suggested here first in order to avoid the cost of an unnecessary service call.

---

## Nothing will operate

- **Is the power supply cord unplugged?**  
Plug into a properly grounded 3 prong outlet.
- **Has a household fuse blown, or has a circuit breaker tripped?**  
Replace the fuse or reset the circuit.

---

## Surface burners will not operate

- **Is this the first time the surface burners have been used?**  
Turn on any one of the surface burner knobs to release air from the gas lines.
- **Is the control knob set correctly?**  
Push in knob before turning to a setting.
- **Are the burner ports clogged?**  
On sealed burner models, see "Surface Burners" section.

---

## Surface burner flames are uneven, yellow and/or noisy

- **Are the burner ports clogged?**  
On sealed burner models, see "Surface Burners" section.
- **On models with caps, are the burner caps positioned properly?**  
See "Surface Burners" section.
- **Is the burner damaged?**  
On models with caps, look for a warped cap. If cap will spin freely on a flat surface, painted side down, the cap is warped. Switch cap with a different surface burner to check for further warping. Contact a trained repair specialist.
- **Is propane gas being used?**  
The appliance may have been converted improperly. Contact a trained repair specialist.

---

## Surface burner makes popping noises

- **Is the burner wet?**  
Let it dry.

---

## Burner sparks but does not light

- **Is there continuous sparking, but the burner does not light?**  
Discontinue use of the surface burner and contact a service technician.

---

## Excessive heat around cookware on cooktop

- **Is the cookware the proper size?**  
Use cookware about the same size as the surface cooking area, element or surface burner. Cookware should not extend more than 1" (2.5 cm) outside the cooking area.

---

## Cooktop cooking results not what expected

- **Is the proper cookware being used?**  
See "Cookware" section.
- **Is the control knob set to the proper heat level?**  
See "Cooktop Controls" section.
- **Is the appliance level?**  
Level the appliance. See the Installation Instructions.

---

## Oven will not operate

- **Is this the first time the oven has been used?**  
Turn any one of the surface burner knobs on to release air from the gas lines.
- **Is the electronic oven control set correctly?**  
See "Electronic Oven Control" section.
- **On some models, is the Control Lock set?**  
See "Control Lock" section.

---

## Oven burner flames are yellow or noisy

- **Is propane gas being used?**  
The appliance may have been converted improperly. Contact a trained repair specialist.

---

## Cooling fan runs during baking, broiling or cleaning

- When the oven is in use, it is normal for the fan to run automatically to cool the electronic control. The fan also runs for a while after the oven turns off.

---

## Oven temperature too high or too low

- **Does the oven temperature calibration need adjustment?**  
See "Oven Temperature Calibration" section.

---

## Display shows messages

- **Is the display showing "PF," "PF id=27" or "PF id=30"?**  
There has been a power failure. Clear the display. See "Display(s)" section. On some models, reset the clock if needed. See "Clock" section.
- **Is the display showing a letter followed by a number?**  
Clear the display. See "Display(s)" section. If it reappears, call for service.

---

## Self-Cleaning Cycle will not operate

- **Is the oven door open?**  
Close the oven door all the way.
- **Has the function been entered?**  
See "Self-Cleaning Cycle" section.
- **On some models, has a delay start Self-Clean cycle been set?**  
See "Self-Cleaning Cycle" section.
- **Has a delay start been set?**  
See "Timed Cooking" section.



---

## Oven cooking results not what expected

---

- **Is the appliance level?**  
Level the appliance. See the Installation Instructions.
- **Is the proper temperature set?**  
Increase temperature 25°F (15°C).
- **Is the proper oven temperature calibration set?**  
See “Oven Temperature Control” section.
- **Was the oven preheated?**  
Wait for oven to preheat before placing food in oven.
- **Is the proper bakeware being used?**  
See “Bakeware” section.
- **Are the racks positioned properly?**  
See “Positioning Racks and Bakeware” section.

- **Is there proper air circulation around bakeware?**  
See “Positioning Racks and Bakeware” section.
- **Is the batter evenly distributed in the pan?**  
Check to make sure batter is level in the pan.
- **Is the proper length of time being used?**  
Increase baking or roasting time.
- **Has the oven door been opened while cooking?**  
Oven peeking releases oven heat and can result in longer cooking times.
- **Are baked items too brown on the bottom?**  
Decrease oven temperature 15°F to 25°F (5°C to 15°C).
- **Are pie crust edges browning early?**  
Use aluminum foil to cover the edge of the crust.

---

## ASSISTANCE OR SERVICE

Before calling for assistance or service, please check “Troubleshooting.” It may save you the cost of a service call. If you still need help, follow the instructions below.

When calling, please know the purchase date and the complete model and serial number of your appliance. This information will help us to better respond to your request.

### If you need replacement parts

If you need to order replacement parts, we recommend that you use only FSP® replacement parts. FSP® replacement parts will fit right and work right because they are made with the same precision used to build every new WHIRLPOOL® appliance.

To locate FSP® replacement parts in your area, call our Customer Interaction Center telephone number or your nearest Whirlpool designated service center.

---

### In the U.S.A.

Call the Whirlpool Customer Interaction Center toll free: **1-800-253-1301**.

#### Our consultants provide assistance with:

- Features and specifications on our full line of appliances.
- Installation information.
- Use and maintenance procedures.
- Accessory and repair parts sales.
- Specialized customer assistance (Spanish speaking, hearing impaired, limited vision, etc.).
- Referrals to local dealers, repair parts distributors, and service companies. Whirlpool designated service technicians are trained to fulfill the product warranty and provide after-warranty service, anywhere in the United States.

To locate the Whirlpool designated service company in your area, you can also look in your telephone directory Yellow Pages.

### For further assistance

If you need further assistance, you can write to Whirlpool Corporation with any questions or concerns at:

Whirlpool Brand Home Appliances  
Customer Interaction Center  
553 Benson Road  
Benton Harbor, MI 49022-2692

Please include a daytime phone number in your correspondence.

---

### In Canada

For product related questions, please call the Whirlpool Canada Inc. Customer Interaction Center toll free:

**1-800-461-5681**

Monday to Friday 8:00 a.m. - 6:00 p.m. (EST).

Saturday 8:30 a.m. - 4:30 p.m. (EST).

#### Our consultants provide assistance with:

- Features and specifications on our full line of appliances.
- Referrals to local dealers.

For parts, accessories and service in Canada

Call **1-800-807-6777**. Whirlpool Canada Inc. designated service technicians are trained to fulfill the product warranty and provide after-warranty service, anywhere in Canada.

### For further assistance

If you need further assistance, you can write to Whirlpool Canada Inc. with any questions or concerns at:

Customer Interaction Center  
Whirlpool Canada Inc.  
1901 Minnesota Court  
Mississauga, Ontario L5N 3A7

Please include a daytime phone number in your correspondence.

---

# WHIRLPOOL® GAS COOKTOP AND RANGE WARRANTY

---

## ONE-YEAR FULL WARRANTY

For one year from the date of purchase, when this appliance is operated and maintained according to instructions attached to or furnished with the product, Whirlpool Corporation will pay for FSP® replacement parts and repair labor costs to correct defects in materials or workmanship. Service must be provided by a Whirlpool designated service company.

---

## SECOND THROUGH FIFTH YEAR LIMITED WARRANTY FOR GAS BURNERS

On gas ranges and gas cooktops, in the second through fifth years from the date of purchase, when this appliance is operated and maintained according to instructions attached to or furnished with the product, Whirlpool Corporation will pay for FSP® replacement parts for any gas burner to correct defects in materials or workmanship. Service must be provided by a Whirlpool designated service company.

---

### Whirlpool Corporation will not pay for:

1. Service calls to correct the installation of your appliance, to instruct you how to use your appliance, to replace house fuses or correct house wiring, or to replace owner-accessible light bulbs.
  2. Repairs when your appliance is used in other than normal, single-family household use.
  3. Pickup and delivery. Your appliance is designed to be repaired in the home.
  4. Damage resulting from accident, alteration, misuse, abuse, fire, flood, improper installation, acts of God or use of products not approved by Whirlpool Corporation or Whirlpool Canada Inc.
  5. Repairs to parts or systems resulting from unauthorized modifications made to the appliance.
  6. Replacement parts or repair labor costs for units operated outside the United States or Canada.
  7. In Canada, travel or transportation expenses for customers who reside in remote areas.
  8. Any labor costs during limited warranty period.
- 

### WHIRLPOOL CORPORATION AND WHIRLPOOL CANADA INC. SHALL NOT BE LIABLE FOR INCIDENTAL OR CONSEQUENTIAL DAMAGES.

Some states or provinces do not allow the exclusion or limitation of incidental or consequential damages, so this exclusion or limitation may not apply to you. This warranty gives you specific legal rights and you may also have other rights which may vary from state to state or province to province.

**Outside the 50 United States and Canada, this warranty does not apply. Contact your authorized Whirlpool dealer to determine if another warranty applies.**

If you need service, first see the "Troubleshooting" section of this book. After checking "Troubleshooting," additional help can be found by checking the "Assistance or Service" section or by calling the Whirlpool Customer Interaction Center, **1-800-253-1301** (toll-free), from anywhere in the U.S.A. For parts and service in Canada, please call **1-800-807-6777**. For product related questions in Canada, please call **1-800-461-5681**. 5/00

---

**Keep this book and your sales slip together for future reference. You must provide proof of purchase or installation date for in-warranty service.**

Write down the following information about your appliance to better help you obtain assistance or service if you ever need it. You will need to know your complete model number and serial number. You can find this information on the model and serial number label/plate, located on your appliance as shown in the "Parts and Features" section.

Dealer name \_\_\_\_\_  
Address \_\_\_\_\_  
Phone number \_\_\_\_\_  
Model number \_\_\_\_\_  
Serial number \_\_\_\_\_  
Purchase date \_\_\_\_\_

# SÉCURITÉ DE LA CUISINIÈRE

## Votre sécurité et celle des autres est très importante.

Nous donnons de nombreux messages de sécurité importants dans ce manuel et sur votre appareil ménager. Assurez-vous de toujours lire tous les messages de sécurité et de vous y conformer.



Voici le symbole d'alerte de sécurité.

Ce symbole d'alerte de sécurité vous signale les dangers potentiels de décès et de blessures graves à vous et à d'autres.

Tous les messages de sécurité suivront le symbole d'alerte de sécurité et le mot "DANGER" ou "AVERTISSEMENT". Ces mots signifient :

**⚠ DANGER**

Risque possible de décès ou de blessure grave si vous ne suivez pas immédiatement les instructions.

**⚠ AVERTISSEMENT**

Risque possible de décès ou de blessure grave si vous ne suivez pas les instructions.

Tous les messages de sécurité vous diront quel est le danger potentiel et vous disent comment réduire le risque de blessure et ce qui peut se produire en cas de non-respect des instructions.

**AVERTISSEMENT : Pour votre sécurité, les renseignements dans ce manuel doivent être observés pour réduire au minimum les risques d'incendie ou d'explosion ou pour éviter des dommages au produit, des blessures ou un décès.**

- Ne pas entreposer ni utiliser de l'essence ou d'autres vapeurs ou liquides inflammables à proximité de cet appareil ou de tout autre appareil électroménager.
- QUE FAIRE DANS LE CAS D'UNE ODEUR DE GAZ :
  - Ne pas tenter d'allumer un appareil.
  - Ne pas toucher à un commutateur électrique.
  - Ne pas utiliser le téléphone se trouvant sur les lieux.
  - Appeler immédiatement le fournisseur de gaz d'un téléphone voisin. Suivre ses instructions.
  - À défaut de joindre votre fournisseur de gaz, appeler les pompiers.
- L'installation et l'entretien doivent être effectués par un installateur qualifié, une agence de service ou le fournisseur de gaz.

## La bride antibasculement

Dans les conditions de service, normales, la cuisinière ne bascule pas. Elle peut cependant basculer si une force ou un poids excessif est appliqué sur la porte ouverte alors que la bride antibasculement n'est pas convenablement fixée.



### ⚠ AVERTISSEMENT

#### Risque de basculement

**Un enfant ou une personne adulte peut faire basculer la cuisinière ce qui peut causer un décès.**

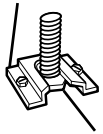
**Joindre la bride antibasculement au pied arrière de la cuisinière.**

**Joindre de nouveau la bride antibasculement si la cuisinière est déplacée.**

**Voir détails dans les instructions d'installation.**

**Le non-respect de ces instructions peut causer un décès ou des brûlures graves aux enfants et aux adultes.**

#### La bride antibasculement



Le pied de la cuisinière

**Assurez-vous qu'une bride antibasculement est installée :**

- Glisser la cuisinière vers l'avant.
- Vérifier que la bride antibasculement est bien fixée au plancher.
- Glisser de nouveau la cuisinière vers l'arrière de sorte que le pied est sous la bride antibasculement.

## IMPORTANTES INSTRUCTIONS DE SÉCURITÉ

**AVERTISSEMENT :** Pour réduire le risque d'incendie, de choc électrique, de blessures ou de dommages lors de l'utilisation de la cuisinière, il convient d'observer certaines précautions élémentaires dont les suivantes :

- **AVERTISSEMENT :** POUR MINIMISER LE RISQUE DE BASCULEMENT DE LA CUISINIÈRE, ELLE DOIT ÊTRE BIEN IMMOBILISÉE PAR DES DISPOSITIFS ANTIBASCULEMENT CORRECTEMENT INSTALLÉS. POUR VÉRIFIER SI LES DISPOSITIFS SONT CORRECTEMENT INSTALLÉS, GLISSER LA CUISINIÈRE VERS L'AVANT ET VÉRIFIER SI LA BRIDE ANTIBASCULEMENT EST BIEN FIXÉE AU PLANCHER, ET GLISSER LA CUISINIÈRE VERS L'ARRIÈRE POUR QUE LE PIED ARRIÈRE DE LA CUISINIÈRE SOIT SOUS LA BRIDE ANTIBASCULEMENT.
- **MISE EN GARDE :** Ne pas remiser dans des armoires au-dessus de la cuisinière ou sur le dossier d'une cuisinière, des objets que des enfants pourraient vouloir atteindre. Les enfants pourraient se brûler ou se blesser en grimpant sur la cuisinière.
- Installation appropriée – La cuisinière, lorsqu'elle est correctement installée, doit être reliée à la terre conformément aux codes électriques locaux ou en l'absence de codes locaux, selon le *Code électrique national (US) ANSI/NFPA 70* ou le *Code canadien des installations, Partie 1*. S'assurer que la cuisinière est correctement installée et reliée à la terre par un technicien qualifié.

- Cette cuisinière est munie d'une fiche de liaison à la terre à trois broches pour votre protection contre les risques de choc électrique et doit être branchée directement dans une prise de courant bien reliée à la terre. Ne pas couper ni enlever la broche de liaison à la terre de cette fiche.
- Débrancher l'alimentation électrique avant d'exécuter des réparations à l'appareil.
- Ne jamais utiliser la cuisinière comme source de chauffage ou de réchauffage d'une pièce.
- Des blessures peuvent survenir d'un mauvais usage des portes ou des tiroirs de l'appareil tel que se tenir debout sur la surface, se pencher ou s'asseoir sur les portes ou tiroirs.
- Entretien – Garder l'espace autour de la cuisinière dégagé et libre de matériaux combustibles, d'essence et d'autres vapeurs et liquides inflammables.
- Remisage dans ou sur la cuisinière – Des produits inflammables ne devraient pas être remisés dans un four ou près des éléments de surface.
- La taille de la flamme des brûleurs de surface devrait être ajustée de sorte qu'elle ne dépasse pas le bord de l'ustensile de cuisson.

#### Cuisinière autonettoyante –

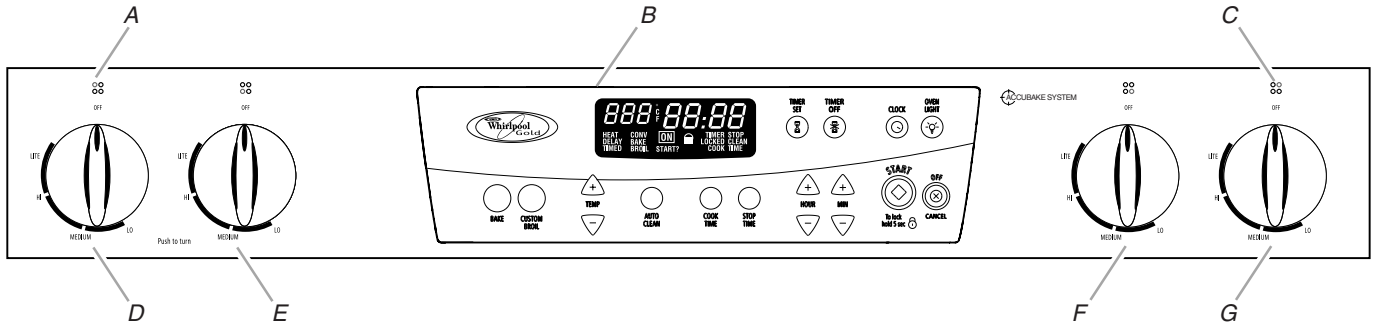
- Avant l'autonettoyage du four – Ôter la lèchefrite et son plat et les autres ustensiles. Essuyer tous les renversements excessifs avant de mettre en marche le programme d'autonettoyage.

## CONSERVEZ CES INSTRUCTIONS

# PIÈCES ET CARACTÉRISTIQUES

Ce manuel couvre plusieurs modèles différents. La cuisinière que vous avez achetée peut comporter quelques-uns ou tous les articles énumérés. L'emplacement et l'apparence des caractéristiques illustrées peuvent ne pas correspondre à ceux de votre modèle.

## Tableau de commande

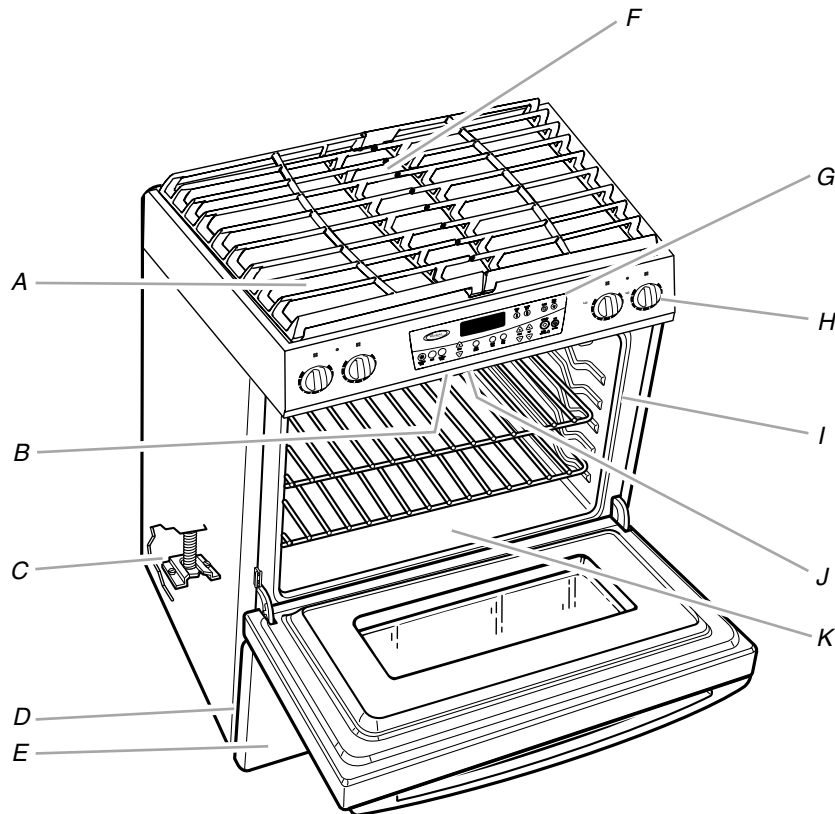


- A. Repère du brûleur de surface
- B. Commande électronique du four
- C. Repère de surface

- D. Bouton de commande arrière gauche
- E. Bouton de commande avant gauche

- F. Bouton de commande avant droit
- G. Bouton de commande arrière droit

## Cuisinière



- A. Zone du brûleur et de la grille
- B. Interrupteur automatique de la lampe du four (en dessous du panneau de commande)
- C. Bride antibasculement

- D. Plaque signalétique des numéros de modèle et de série (derrière le côté gauche du tiroir de rangement)
- E. Tiroir de rangement amovible
- F. Évén du four
- G. Commande électronique du four

- H. Tableau de commande
- I. Joint d'étanchéité
- J. Brûleur du gril (non visible)
- K. Brûleur de cuisson au four (non visible)

# UTILISATION DE LA TABLE DE CUISSON

## Commandes de la table de cuisson

### ⚠ AVERTISSEMENT



#### Risque d'incendie

La flamme d'un brûleur ne devrait pas dépasser le bord du récipient de cuisson.

Fermer tous les réglages lorsque la cuisson est terminée.

Le non-respect de ces instructions peut causer un décès ou un incendie.

Des allumeurs électriques allument automatiquement les brûleurs de la table de cuisson lorsque les boutons de commande sont réglés à LITE.

Les brûleurs avant gauche et arrière droit sont les plus chauds. Les brûleurs arrière gauche et avant droit permettent un mijotage plus précis aux températures les plus basses.

Avant de régler un bouton de commande, placer l'ustensile de cuisson plein sur la grille. Ne pas allumer un brûleur sous un ustensile vide ou sans ustensile sur la grille.

#### Réglage

1. Enfoncer et tourner le bouton dans le sens antihoraire jusqu'à LITE.

Les quatre brûleurs de la table de cuisson font un déclic. Seul le brûleur pour lequel on a tourné le bouton à LITE s'allume.

2. Tourner le bouton à n'importe quelle position entre HI et LO. Utiliser le tableau suivant comme guide de températures.

RÉGLAGE	UTILISATION RECOMMANDÉE
LITE	■ Pour allumer le brûleur.
HI	■ Pour commencer la cuisson. ■ Pour porter un liquide à ébullition.
ENTRE HI et LO	■ Pour maintenir une ébullition rapide. ■ Pour brunir ou saisir des aliments rapidement. ■ Pour frire ou sauter des aliments. ■ Pour cuire les soupes et les sauces. ■ Pour les ragoûts et les aliments cuits à la vapeur.
LO	■ Pour garder les aliments au chaud. ■ Pour faire fondre du chocolat ou du beurre. ■ Pour faire mijoter des aliments.

**N'OUBLIEZ PAS :** Quand l'appareil est utilisé ou (sur certains modèles) durant le programme d'autonettoyage, toute la surface de la table de cuisson peut devenir chaude.

#### Panne de courant

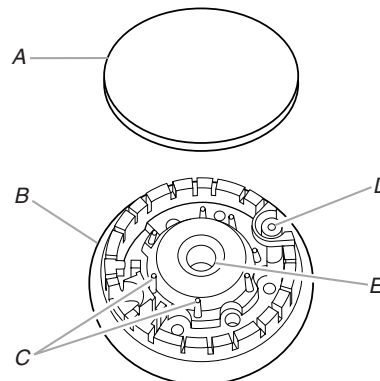
En cas de panne prolongée, les brûleurs de surface peuvent être allumés manuellement. Tenir une allumette allumée près d'un brûleur et tourner le bouton dans le sens antihoraire à LITE. Après l'allumage, tourner le bouton au réglage désiré.

#### Brûleurs de surface

**IMPORTANT :** Ne pas entraver l'évacuation de l'air de combustion et de ventilation autour des bords des grilles de brûleur.

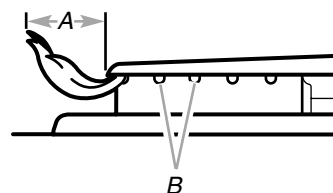
Avant le nettoyage, s'assurer que toutes les commandes sont éteintes et que le four et la table de cuisson sont froids. Ne pas utiliser de nettoyeurs à four, d'eau de Javel ou de décapants à rouille.

**Chapeau de brûleur :** Toujours garder le chapeau de brûleur en place lorsqu'un brûleur de surface est utilisé. Un chapeau de brûleur propre empêche le mauvais allumage et des flammes inégales. Toujours nettoyer le chapeau du brûleur après un renversement de produits et enlever et nettoyer régulièrement les chapeaux tel qu'indiqué à la section "Nettoyage général".



A. Chapeau de brûleur  
B. Base du brûleur  
C. Tiges d'alignement  
D. Allumeur  
E. Ouverture du tube d'arrivée de gaz

**Ouverture du tube d'arrivée de gaz :** Pour que la flamme s'allume convenablement, il faut que le gaz puisse passer librement à travers l'orifice. Garder cette zone propre et ne pas laisser les produits renversés, les aliments, les agents de nettoyage ou tout autre produit pénétrer dans l'ouverture du tube d'arrivée de gaz. La protéger contre les renversements en utilisant toujours un chapeau de brûleur.

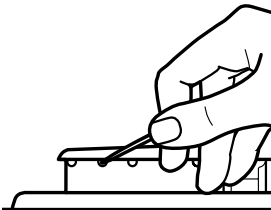


A. 1-1/2" (25-38 mm)  
B. Orifices de brûleur

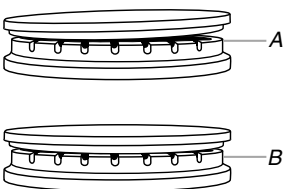
**Orifices de brûleur :** Examiner occasionnellement les flammes des brûleurs pour en vérifier la taille et la forme tel qu'indiqué ci-dessus. Une bonne flamme est bleue et non jaune. Garder cette zone exempte de souillures et ne pas laisser les produits renversés, les aliments, les agents de nettoyage ou autre produit pénétrer dans les orifices de brûleur.

### Nettoyage :

1. Enlever le chapeau de brûleur de la base du brûleur et nettoyer tel qu'indiqué à la section "Nettoyage général".
2. Nettoyer l'ouverture de tube d'arrivée de gaz avec un chiffon humide.
3. Nettoyer les orifices de brûleur obstrués avec une épingle droite tel qu'indiqué. Ne pas agrandir ni déformer l'orifice. Ne pas utiliser un cure-dents en bois. Si le brûleur a besoin d'être ajusté, contacter un technicien de réparation qualifié.



4. Réinstaller le chapeau du brûleur et s'assurer que les tiges d'alignement sur le chapeau sont bien alignées avec la base du brûleur.



A. Incorrect  
B. Correct

5. Allumer le brûleur. Si le brûleur ne s'allume pas, vérifier l'alignement du chapeau. Si le brûleur ne s'allume toujours pas, ne pas faire vous-même l'entretien d'un brûleur scellé. Contacter un technicien de réparation qualifié.

## Préparation de conserves à la maison

Lors de la préparation de conserves pendant de longues périodes, alterner l'utilisation des surfaces de cuisson, des éléments ou des brûleurs de surface entre les quantités préparées. Cette alternance permettra aux surfaces les plus récemment utilisées de refroidir.

- Centrer l'autoclave sur la grille ou la plus grande surface de cuisson ou sur le plus grand élément. Les autoclaves ne devraient pas dépasser plus de 1" (2,5 cm) hors de la surface de cuisson.
- Ne pas placer l'autoclave sur deux surfaces de cuisson, deux éléments ou deux brûleurs de surface à la fois.
- Sur les modèles à vitrocéramique, utiliser seulement des autoclaves à fond plat.
- Sur les modèles avec éléments en spirale, l'installation d'un nécessaire de préparation de conserves est recommandée. Si ce nécessaire n'est pas installé, la vie utile de l'élément en spirale sera raccourcie. Voir "Assistance ou service" pour les instructions de commande.
- Pour plus de renseignements, contacter Agriculture Canada. Les compagnies qui fabriquent des produits pour la préparation de conserves à la maison peuvent aussi offrir de l'aide.

## Ustensiles de cuisson

**IMPORTANT :** Ne pas laisser un ustensile de cuisson vide sur la surface d'une table de cuisson, d'un élément ou d'un brûleur de surface chauds.

Les ustensiles de cuisson idéals doivent avoir un fond plat, des parois droites, un couvercle qui ferme bien et le matériau doit être d'épaisseur moyenne à forte.

Les surfaces rudes peuvent égratigner la table de cuisson. L'aluminium et le cuivre peuvent être employés comme fond ou base dans un ustensile de cuisson. Cependant, utilisés comme base, ils peuvent laisser des marques permanentes sur la table de cuisson ou les grilles.

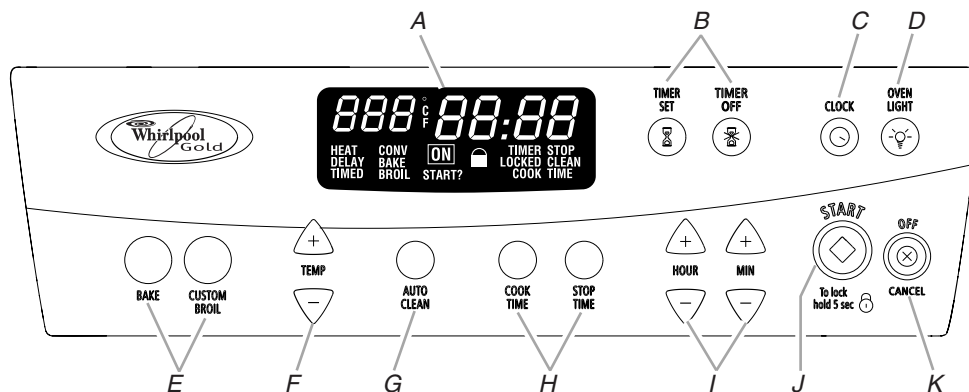
Le matériau d'un ustensile de cuisson affecte la rapidité et l'uniformité de la transmission de la chaleur, et contribue aux résultats de cuisson. Un fini antiadhésif a les mêmes caractéristiques que son matériau de base. Par exemple, un ustensile de cuisson en aluminium avec un fini antiadhésif aura les propriétés de l'aluminium.

Les plaques à frire au fini antiadhésif ne doivent pas être utilisées sous le gril.

Utiliser le tableau suivant comme guide pour les caractéristiques du matériau d'ustensile de cuisson.

USTENSILE	CARACTÉRISTIQUES
<b>Aluminium</b>	<ul style="list-style-type: none"> <li>■ Chauffe rapidement et uniformément.</li> <li>■ Convient à tous les genres de cuisson.</li> <li>■ L'épaisseur moyenne ou forte convient le mieux pour la plupart des tâches de cuisson.</li> </ul>
<b>Fonte</b>	<ul style="list-style-type: none"> <li>■ Chauffe lentement et uniformément.</li> <li>■ Convient pour le brunissage et la friture.</li> <li>■ Maintient la chaleur pour une cuisson lente.</li> </ul>
<b>Céramique ou vitrocéramique</b>	<ul style="list-style-type: none"> <li>■ Suivre les instructions du fabricant.</li> <li>■ Chauffe lentement mais inégalement.</li> <li>■ Les meilleurs résultats sont obtenus sur les réglages de chaleur basse à moyenne.</li> </ul>
<b>Cuivre</b>	<ul style="list-style-type: none"> <li>■ Chauffe très rapidement et également.</li> </ul>
<b>Marmite en terre cuite</b>	<ul style="list-style-type: none"> <li>■ Suivre les instructions du fabricant.</li> <li>■ Utiliser des réglages de température basse.</li> </ul>
<b>Acier émaillé en porcelaine ou fonte émaillée</b>	<ul style="list-style-type: none"> <li>■ Voir acier inoxydable ou fonte.</li> </ul>
<b>Acier inoxydable</b>	<ul style="list-style-type: none"> <li>■ Chauffe rapidement, mais inégalement.</li> <li>■ Un fond ou une base d'aluminium ou de cuivre sur l'acier inoxydable procure un chauffage égal.</li> </ul>

# COMMANDES ÉLECTRONIQUES DU FOUR



A. Affichage du four

B. Fonctions de la minuterie

C. Horloge

D. Lampe du four

E. Réglages du four

F. Réglage de la température

G. Fonction d'autonettoyage

H. Cuisson minutée

I. Heures et minutes

J. Mise en marche et verrouillage des commandes

K. Arrêt/annulation

## Affichage

Lorsque le courant est fourni la première fois à l'appareil, tous les affichages s'allument pendant 1 ou 2 secondes, puis une heure du jour et "PF" apparaissent. Appuyer sur OFF/CANCEL (arrêt/annulation) pour effacer "PF" de l'afficheur.

L'affichage de "PF" à tout autre moment indique qu'il y a eu une panne de courant. Appuyer sur OFF/CANCEL et régler de nouveau l'horloge au besoin.

Lorsque le four est en usage, l'affichage montre le temps de préchauffage, la température et le réglage du four.

Lorsque le four n'est pas en usage, l'affichage montre l'heure du jour.

Lors de l'utilisation de la MINUTERIE, pour des réglages de 1 à 59 minutes, l'afficheur compte à rebours en secondes. Pour les réglages de 1 heure ou plus, l'afficheur compte à rebours en heures et minutes.

Lors de l'utilisation de COOK TIME (durée de cuisson), l'afficheur indique les heures et minutes. Lors de l'utilisation de STOP TIME (heure d'arrêt), l'afficheur indique les minutes et les secondes.

## Mise en marche

Après avoir sélectionné une fonction, appuyer sur la touche START (mise en marche) pour activer la fonction. Si on n'appuie pas sur la touche START (mise en marche) dans les 5 secondes, "START?" s'affiche à titre de rappel.

## Arrêt/Annulation

La touche OFF/CANCEL (arrêt/annulation) arrête toutes les fonctions à l'exception de l'horloge, de la minuterie et du verrouillage des commandes. Lorsqu'on appuie sur la touche OFF/CANCEL (arrêt/annulation), l'affichage indique l'heure ou la durée de cuisson restante si on utilise la minuterie.

## Horloge

Sur certains modèles, si on ne désire pas que l'heure soit affichée, appuyer sur la touche (le bouton) CLOCK pendant 5 secondes. Lorsque l'heure n'est pas affichée, on peut voir l'heure pendant 5 secondes en appuyant sur la touche (le bouton) CLOCK.

### Réglage :

Avant le réglage, s'assurer que le four, la MINUTERIE et la DURÉE DE CUISSON sont désactivés.

1. Appuyer sur CLOCK.
2. Appuyer sur les touches (boutons) à flèche HR ou MIN (haut ou bas) pour régler l'heure du jour.
3. Appuyer sur CLOCK ou START (mise en marche).

## Signaux sonores

Les signaux sonores indiquent si une fonction a été entrée correctement ou la fin d'un programme.

### Annulation de tous les signaux sonores sauf la fin d'un compte à rebours et les signaux d'erreur :

1. Appuyer sur le bouton STOP TIME (heure d'arrêt) pendant 5 secondes.
2. Un bref signal se fait entendre lorsque les signaux sonores ont été changés. Pour réactiver les signaux, répéter l'étape 1.
3. "Off" (arrêt) s'affiche pendant 3 secondes lorsque les signaux sonores ont été désactivés et "ON" s'affiche pendant 3 secondes lorsqu'ils ont été réactivés.



---

## Minuterie

La minuterie peut être réglée en heures et minutes jusqu'à concurrence de 12 heures et 59 minutes et procède à un compte à rebours de la durée réglée.

**REMARQUE :** La minuterie ne met pas en marche et n'arrête pas le four.

### Réglage :

1. Appuyer sur TIMER SET (réglage de la minuterie).  
Si aucune fonction n'est entrée après une minute, l'afficheur retourne au mode d'affichage de l'heure du jour.
2. Appuyer sur les touches (boutons) à flèche HOUR (heure) ou MIN (haut ou bas), pour régler la durée.
3. Appuyer sur START (mise en marche).  
Si on n'appuie pas sur ces touches (boutons) en deçà de 5 secondes, l'afficheur retourne au mode d'affichage de l'heure du jour et la fonction programmée est annulée.  
À la fin de la durée réglée, si activés, les signaux sonores de fin de programme se font entendre, suivis des signaux de rappel à intervalles de 1 minute.
4. Appuyer sur TIMER OFF (arrêt de la minuterie) en tout temps pour annuler la minuterie.  
Noter qu'il ne faut pas appuyer sur la touche (le bouton) OFF/CANCEL (arrêt/annulation) parce que le four s'éteindra.

Pour afficher l'heure du jour lorsque la minuterie compte à rebours, appuyer sur CLOCK (horloge).

---

## Verrouillage des commandes

Le verrouillage des commandes désactive les touches (boutons) du tableau de commande pour empêcher l'utilisation non désirée du (des) four(s).

Lorsque le tableau de commande est verrouillé, seules les touches (boutons) CLOCK (horloge), TIMER SET (réglage de la minuterie) TIMER OFF (arrêt de la minuterie) et OVEN LIGHT (lamp du four) fonctionnent.

Le verrouillage des commandes est préréglé à déverrouillé, mais il peut être verrouillé.

**Pour verrouiller/déverrouiller les commandes :** Avant de verrouiller, s'assurer que le four, la minuterie et la fonction de cuisson minutée (COOKTIME sur certains modèles) sont désactivés. Appuyer sur START (mise en marche) pendant 5 secondes, ou jusqu'à ce qu'un seul signal sonore se fasse entendre. "LOC" et l'image d'un cadenas apparaissent sur l'affichage. Répéter la même opération pour déverrouiller les commandes et effacer "LOC" de l'affichage.

---

## Commande de température du four

**IMPORTANT :** Ne pas utiliser un thermomètre pour mesurer la température du four parce que l'ouverture de la porte du four et le fonctionnement intermittent de l'élément ou du brûleur peuvent donner des lectures incorrectes.

Le four fournit des températures précises; toutefois, il peut cuire plus rapidement ou plus lentement que votre ancien four, de sorte que le calibrage de la température peut être ajusté. Il peut être changé en Fahrenheit ou en Celsius.

Un signe moins veut dire que le four sera plus froid du nombre de degrés affiché. Aucun signe signifie que le four sera plus chaud du nombre de degrés affiché. Utiliser le tableau suivant comme guide.

AJUSTEMENT °F (AJUSTEMENT °C)	CUIT LES ALIMENTS
10°F (5°C)	...un peu plus
20°F (10°C)	...modérément plus
30°F (15°C)	...beaucoup plus
-10°F (-5°C)	...un peu moins
-20°F (-10°C)	...modérément moins
-30°F (-15°C)	...beaucoup moins

### Pour ajuster le calibrage de la température du four :

1. Appuyer sur la touche BAKE (cuisson au four) pendant 5 secondes jusqu'à ce que l'afficheur du four indique le calibrage courant, par exemple "0° CAL".
2. Appuyer sur les flèches "vers le haut" ou "vers le bas" de TEMP pour augmenter ou diminuer la température en tranches de 10°F (5°C). L'ajustement peut être réglé entre 30°F (15°C) et -30°F (-15°C).
3. Appuyer sur START (mise en marche).

### Pour afficher les températures en °C plutôt qu'en °F :

Appuyer sur le bouton CUSTOM BROIL (cuisson au gril personnalisée) pendant 5 secondes. Un bref signal sonore se fait entendre et l'affichage de la température passe à °C. Répéter pour retourner à °F.

# UTILISATION DU FOUR

Les odeurs et la fumée sont normales lorsque le four est utilisé pour les premières fois ou lorsqu'il est très sale.

**IMPORTANT :** La santé de certains oiseaux est extrêmement sensible aux émanations. L'exposition à ces émanations peut causer la mort de certains oiseaux. Toujours déplacer les oiseaux dans une autre pièce fermée et bien aérée.

## Papier d'aluminium

**IMPORTANT :** Afin de ne pas endommager de façon permanente la finition du fond du four, ne pas recouvrir le fond du four de papier d'aluminium, de garnitures ou ustensiles de cuisson quelconques.

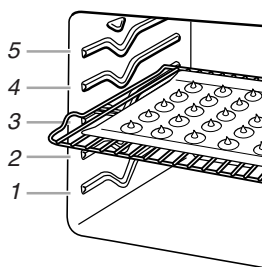
- Sur les modèles possédant un événement, ne pas bloquer ou recouvrir les événements du fond du four.
- Pour assurer une bonne circulation de l'air et des résultats de cuisson optimaux, ne pas recouvrir la grille entière de papier d'aluminium.
- Pour récupérer les débordements, placer une feuille d'aluminium sur la grille sur en dessous de celle où se trouve le plat. Veiller à ce qu'elle dépasse d'environ 1" (2,5 cm) tout autour du plat et relever les bords.

## Positionnement des grilles et des ustensiles de cuisson

**IMPORTANT :** Ne pas placer les aliments ou les ustensiles de cuisson directement sur la porte ou le fond du four. On risquerait d'endommager de façon permanente le fini en porcelaine du four. La position 5 de la grille ne peut pas être utilisée avec ce modèle.

### GRILLES

Placer les grilles avant d'allumer le four. Ne pas déplacer les grilles lorsque des ustensiles se trouvent dessus. Veiller à placer les grilles de niveau. Pour déplacer une grille, la tirer hors du four jusqu'à la butée d'arrêt, soulever le rebord avant et la tirer pour la sortir du four. Utiliser l'illustration et le tableau suivants comme guide.



ALIMENT	POSITION DE LA GRILLE
Tartes congelées, gros rôtis, dindes, gâteaux des anges	1 ou 2
Gâteaux Bundt, la plupart des pains éclairs, pains à la levure, mets en sauce et viandes	2
Biscuits, muffins, gâteaux et tartes non congelées	2 ou 3
Très gros aliments	Grille supplémentaire

## USTENSILES DE CUISSON

L'air chaud doit pouvoir circuler autour de l'aliment pour le cuire uniformément, de telle sorte qu'il faut laisser 2" (5 cm) entre les ustensiles de cuisson et les parois du four. Se servir du tableau suivant comme guide.

Nombre d'ustensiles	Positionnement sur la grille
1	Centre de la grille.
2	Côte à côte ou légèrement décalés.
3 or 4	Dans les coins opposés sur chaque grille. Décaler les ustensiles de cuisson de sorte qu'aucun ne se trouve directement au-dessus de l'autre.

## Ustensiles de cuisson

Le matériau des ustensiles de cuisson affecte les résultats de cuisson. Suivre les recommandations du fabricant et utiliser le format d'ustensiles recommandé dans la recette. Se servir du tableau suivant comme guide.

USTENSILES DE CUISSON/ RÉSULTATS	RECOMMANDATIONS
<b>Aluminium légèrement coloré</b> <ul style="list-style-type: none"> <li>■ Croûtes légèrement dorées</li> <li>■ Brunissage égal</li> </ul>	<ul style="list-style-type: none"> <li>■ Utiliser la température et la durée recommandées dans la recette.</li> </ul>
<b>Aluminium foncé et autres ustensiles de cuisson avec fini foncé, terne et/ ou antiadhésif</b> <ul style="list-style-type: none"> <li>■ Croûtes brunes, croustillantes</li> </ul>	<ul style="list-style-type: none"> <li>■ Peut nécessiter de réduire les températures de cuisson de 25°F (15°C).</li> <li>■ Utiliser la durée de cuisson suggérée.</li> <li>■ Pour les tartes, pains et mets en sauce, utiliser la température recommandée dans la recette.</li> <li>■ Placer la grille au centre du four.</li> </ul>
<b>Tôles à biscuits ou moules à cuisson à isolation thermique</b> <ul style="list-style-type: none"> <li>■ Brunissage faible ou non existant à la base</li> </ul>	<ul style="list-style-type: none"> <li>■ Placer à la troisième position au bas du four.</li> <li>■ Peut nécessiter d'augmenter le temps de cuisson.</li> </ul>

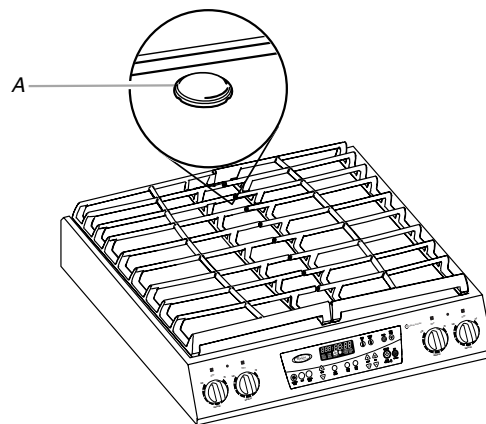
USTENSILES DE CUISSON/ RÉSULTATS	RECOMMANDATIONS
<b>Acier inoxydable</b> <ul style="list-style-type: none"> <li>■ Croûtes dorées, légères</li> <li>■ Brunissage inégal</li> </ul>	<ul style="list-style-type: none"> <li>■ Peut nécessiter d'augmenter le temps de cuisson.</li> </ul>
<b>Plats en grès</b> <ul style="list-style-type: none"> <li>■ Croûtes croustillantes</li> </ul>	<ul style="list-style-type: none"> <li>■ Suivre les instructions du fabricant.</li> </ul>
<b>Plats en verre, vitrocéramique ou céramique allant au four</b> <ul style="list-style-type: none"> <li>■ Croûtes brunes, croustillantes</li> </ul>	<ul style="list-style-type: none"> <li>■ Peut nécessiter de réduire la température de cuisson de 25°F (15°C).</li> </ul>

### Thermomètre à viande

Sur les modèles sans sonde thermométrique, toujours se servir d'un thermomètre à viande pour vérifier la cuisson de la viande ou de la volaille. C'est la température interne qui importe et non l'apparence. Il n'y a pas de thermomètre à viande fourni avec cet appareil.

- Insérer le thermomètre au centre de la partie la plus épaisse de la viande ou à l'intérieur de la cuisse ou de la poitrine de la volaille. La pointe du thermomètre ne doit pas toucher le gras, l'os ou le cartilage.
- Après une première lecture, enfoncer 1/2" (1,25 cm) de plus et faire une autre lecture. Si la température est plus basse, faire cuire la viande ou la volaille plus longtemps.
- Vérifier toute viande à 2 ou 3 endroits.

### Évent du four



A. Chapeau de l'évent du four

Ne pas obstruer ni couvrir l'évent du four car il permet à l'air chaud et à l'humidité de s'échapper du four. L'obstruction nuirait à la circulation adéquate de l'air et affecterait les résultats de cuisson et de nettoyage. Ne pas placer près de l'évent du four des produits en plastique, en papier ou autres articles qui pourraient fondre ou brûler.

### Cuisson au four

Le four régule automatiquement les niveaux de chaleur afin de maintenir une gamme précise de température pour des résultats de cuisson optimaux. Durant le préchauffage, les brûleurs du haut et du fond vont tous deux fonctionner par intermittence. Durant la cuisson au four, seul le brûleur du fond fonctionnera par intermittence.

#### Cuisson au four ou rôtissage :

Avant la cuisson au four et le rôtissage, placer les grilles tel qu'indiqué à la section "Positionnement des grilles et des ustensiles de cuisson". Lors du rôtissage, il n'est pas nécessaire de préchauffer le four avant d'y placer l'aliment, sauf si la recette le recommande.

1. Appuyer sur BAKE (cuisson au four).

Appuyer sur les touches (boutons) à flèche TEMP (haut ou bas) pour entrer une température autre que 350°F (175°C). Appuyer sur les touches (boutons) à flèche (haut ou bas) pour augmenter ou baisser la température par tranches de 5°F/5°C.

2. Appuyer sur START (mise en marche).

L'afficheur procède à un compte à rebours de la durée de préchauffage et "PrE" apparaît. La commande du four règle automatiquement les durées de préchauffage en fonction de la température du four choisie.

Lorsque la température réelle du four est atteinte, la température réglée remplace "PrE" sur l'afficheur.

Lorsque la température réglée est atteinte, un signal sonore se fait entendre (si activé).

3. Appuyer sur OFF/CANCEL (arrêt/annulation) lorsque la cuisson est terminée.

La température peut être changée en tout temps après avoir appuyé sur START.

## Préchauffage

Les températures de préchauffage sont affectées par divers facteurs tels que la température ambiante et les heures de pointe de consommation d'énergie. Il est normal que la température indiquée sur l'affichage diffère de la température réelle du four.

On suggère d'attendre dix minutes de plus après la durée de préchauffage de conditionnement avant de mettre les aliments au four lorsqu'on cuit des aliments qui contiennent des ingrédients de levage tels que la levure, la levure chimique, le bicarbonate de sodium et les œufs.

## Cuisson au gril

La cuisson au gril utilise une chaleur radiante directe pour cuire les aliments. Pendant la cuisson au gril, le brûleur du gril s'allume et s'éteint pour maintenir le four à la température désirée.

Lorsqu'on ouvre la porte du four pendant la cuisson au gril, le brûleur du gril s'éteint immédiatement et se rallume une fois qu'on referme la porte.

- Utiliser seulement la lèchefrite et la grille fournies avec la cuisinière. Elles sont conçues pour laisser s'écouler les jus et empêcher les éclaboussures et la fumée.
- Pour un écoulement approprié, ne pas couvrir la grille de papier d'aluminium. Le fond de la lèchefrite peut être garni de papier d'aluminium pour faciliter le nettoyage.
- Couper l'excès de gras pour réduire les éclaboussures. Entailler le gras restant pour empêcher la viande de se cintrer.
- Retirer la grille jusqu'à la butée d'arrêt avant de tourner ou d'enlever les aliments. Utiliser des pinces pour tourner les aliments afin d'éviter la perte de jus. Les coupes très minces de poisson, volaille ou viande peuvent ne pas nécessiter d'être tournées.
- Après la cuisson au gril, sortir la lèchefrite du four en même temps que l'aliment. Ce qui reste au fond de la lèchefrite cuirait si on la laisse dans le four encore chaud, rendant le nettoyage plus difficile.

### Cuisson au gril :

Avant de cuire des aliments au gril, placer la grille conformément au tableau de cuisson au gril.

Placer les aliments sur la grille de la lèchefrite au centre de la grille du four avec le côté le plus long parallèle à la porte du four. Il n'est pas nécessaire de préchauffer le four avant d'y mettre les aliments, à moins que la recette ne le recommande.

Fermer la porte.

1. Appuyer sur BROIL (cuisson au gril).
2. Appuyer sur START (mise en marche).  
La température réglée apparaît sur l'affichage du four jusqu'à ce que le four soit éteint.
3. Appuyer sur OFF/CANCEL (arrêt/annulation) une fois la cuisson terminée.

### Cuisson au gril à température variable :

Le changement de température lors de la cuisson au gril à température variable permet un contrôle plus précis de la cuisson. Plus la température est basse, plus la cuisson est lente. Des coupes plus épaisses et des morceaux de viande, poisson et volaille de forme inégale risquent de mieux cuire à des températures de cuisson au gril plus basses.

1. Appuyer sur CUSTOM BROIL (cuisson au gril personnalisée). "Hi" (élevé) apparaît sur l'affichage.  
Appuyer sur les touches à flèche TEMP "up" (vers le haut) ou "down" (vers le bas) pour entrer une température autre que 500°F (260°C). La température de cuisson au gril peut être réglée entre 300°F et 525°F (149°C et 274°C). "Hi" (élevé) apparaît au lieu de 525°F (274°C).
2. Appuyer sur START (mise en marche).  
La température réglée apparaît sur l'affichage du four jusqu'à ce que le four soit éteint.
3. Appuyer sur OFF/CANCEL (arrêt/annulation) une fois la cuisson terminée.

## TABLEAU DE CUISSON AU GRIL

Pour de meilleurs résultats, placer l'aliment à au moins 3" (7 cm) du brûleur du gril. Les durées de cuisson indiquées sont des recommandations et peuvent être ajustées selon les goûts individuels. Les positions recommandées de la grille sont indiquées de la base (1) jusque en haut (4). Ne pas utiliser la position 5. Pour un dessin, voir la section "Position des grilles et des ustensiles de cuisson".

ALIMENTS	POSITION DE LA GRILLE	DURÉE DE CUISSON en minutes	
		CÔTÉ 1	CÔTÉ 2
<b>Poulet</b>			
morceaux avec os	3	17-20	17-20
poitrine désossée	4	11-16	11-16
<b>Poisson</b>			
Filets ¼ - ½" (0,6 - 1,25 cm)	4	8-10	4-5
d'épaisseur	4	16-18	8-9
Bifteck ¾ - 1" (2-2,5 cm) d'épaisseur			
<b>Saucisses</b>	4	5-7	3-4
<b>Boulettes de viande hachée*</b>			
¾" (2 cm) d'épaisseur bien cuit	4	13-14	7-8
<b>Tranche de jambon, précuit</b>			
½" (1,25 cm) d'épaisseur	4	8-10	4-5
<b>Côtelettes d'agneau</b>			
1" (2,5 cm) d'épaisseur	4	14-17	8-9
<b>Côtelettes de porc</b>			
1" (2,5 cm) d'épaisseur	4	20-22	10-11
<b>Bifteck</b>			
1" (2,5 cm) d'épaisseur saignant à point	4	14-15	7-8
à point	4	15-16	8-9
bien cuit	4	18-19	9-10

\*Placer jusqu'à 9 boulettes, également espacées sur la grille de la lèchefrite.

### **⚠ AVERTISSEMENT**

#### Risque d'empoisonnement alimentaire

**Ne pas laisser des aliments dans un four plus d'une heure avant ou après la cuisson.**

**Le non-respect de cette instruction peut causer un empoisonnement alimentaire ou une maladie.**

La cuisson minutée permet d'allumer le four à une certaine heure, de faire cuire pendant une durée programmée et/ou d'éteindre le four automatiquement. La mise en marche différée ne devrait pas être utilisée pour les aliments tels que pains et gâteaux car ils risquent de ne pas cuire correctement.

#### Réglage d'une durée de cuisson :

1. Appuyer sur la fonction de cuisson désirée.  
Appuyer sur les touches à flèche TEMP (haut ou bas) pour entrer une température autre que celle qui est affichée.
2. Appuyer sur COOK TIME (durée de cuisson).
3. Appuyer sur les touches à flèche HOUR et MIN (haut ou bas) pour entrer la durée cuisson désirée.
4. Appuyer sur START (mise en marche).  
L'afficheur procède à un compte à rebours de la durée.

Lorsque la durée est terminée, le four s'arrête automatiquement et "End" (fin) apparaît sur l'afficheur.

Les signaux sonores de fin de programme se font entendre, suivis des signaux de rappel à intervalles de 1 minute (si activés).

5. Appuyer sur OFF/CANCEL (arrêt/annulation) ou ouvrir la porte du four pour effacer l'affichage et/ou arrêter les signaux de rappel.

#### Réglage d'une durée de cuisson différée :

Avant le réglage, s'assurer que l'horloge est réglée à l'heure exacte. Voir la section "Horloge".

1. Appuyer sur la fonction de cuisson désirée.  
Appuyer sur les touches à flèche TEMP (haut ou bas) pour entrer une température autre que celle qui est affichée.
2. Appuyer sur STOP TIME (heure d'arrêt) (facultatif).
3. Appuyer sur les touches à flèche HOUR et MIN (haut ou bas) pour entrer l'heure de fin de cuisson désirée.
4. Pour débiter la cuisson immédiatement, appuyer sur START TIME (mise en marche).  
**-ou-**  
Pour débiter à un autre moment, appuyer sur COOK TIME (durée de cuisson).
5. Appuyer sur les touches HOUR et MIN (haut ou bas) pour entrer l'heure de mise en marche.
6. Appuyer sur START (mise en marche).  
"DELAY" (différée) apparaît sur l'afficheur.

Lorsque l'heure de mise en marche est atteinte, le four s'allume automatiquement.

Lorsque l'heure d'arrêt est atteinte (si programmée), le four s'arrête automatiquement et "End" (fin) apparaît sur l'afficheur.

Les signaux sonores de fin de programme se font entendre, suivis des signaux de rappel à intervalles de 1 minute (si activés).

7. Appuyer sur OFF/CANCEL (arrêt/annulation) ou ouvrir la porte du four pour effacer l'affichage et arrêter les signaux de rappel.

## ENTRETIEN DE LA CUISINIÈRE

### Programme d'autonettoyage (sur certains modèles)

### **⚠ AVERTISSEMENT**



#### Risque de brûlures

**Ne pas toucher le four au cours du programme d'autonettoyage.**

**Garder les enfants loin du four au cours du programme d'autonettoyage.**

**Le non-respect de ces instructions peut causer des brûlures.**

**IMPORTANT :** La santé de certains oiseaux est très sensible aux émanations qui surviennent durant le programme d'autonettoyage. L'exposition aux émanations peut entraîner la mort de certains oiseaux. Toujours déplacer les oiseaux dans une autre pièce fermée et bien aérée.

Procéder à l'autonettoyage du four avant qu'il ne devienne très sale. Les saletés intenses nécessitent un nettoyage plus long et dégagent plus de fumée.

Veiller à ce que la cuisine soit bien aérée pendant le programme d'autonettoyage afin d'éliminer la chaleur, les odeurs et la fumée.

Ne pas obstruer l'évent du four durant le programme d'autonettoyage. L'air doit pouvoir circuler librement. Voir la section "Évent du four", selon votre modèle.

Ne pas nettoyer, frotter, endommager ou déplacer le joint d'étanchéité de la porte du four. Le joint de la porte est essentiel pour une bonne étanchéité.

#### Préparation du four :

- Sortir la lèchefrite, la grille et les ustensiles de cuisson du four et, sur certains modèles, la sonde thermométrique.
- Enlever tout papier d'aluminium du four qui risquerait de brûler ou de fondre et d'endommager le four.
- Sortir les grilles du four pour les garder brillantes et pour qu'elles glissent facilement. Voir la section "Nettoyage général" pour plus de renseignements.
- Nettoyer manuellement l'intérieur de la porte et une zone de 1 ½" (3,8 cm) sur le pourtour du cadre de la cavité du four, en prenant soin de ne pas déplacer ni plier le joint d'étanchéité. Cette section ne devient pas assez chaude au cours du programme d'autonettoyage pour pouvoir éliminer la saleté. Ne pas laisser de l'eau, un nettoyant, etc. pénétrer dans les fentes sur le cadre de la porte. Nettoyer avec un chiffon humide.

- Essuyer toute saleté restante afin de réduire la fumée et éviter des dommages. À des températures élevées, les aliments réagissent avec la porcelaine. Cette réaction peut causer de légères taches blanches, des taches intenses ou des piqûres. Ceci n'affectera pas la performance de cuisson.

### Fonctionnement du programme

**IMPORTANT :** Le chauffage et le refroidissement de la porcelaine sur l'acier dans le four peuvent causer une décoloration, une perte de fini luisant, des fissures minuscules et des sons saccadés.

Le programme d'autonettoyage utilise des températures très élevées, brûlant les saletés pour les réduire en cendres.

Le four est pré-réglé pour un programme de nettoyage de 3 h 30; cependant, la durée peut être changée. Les durées de nettoyage recommandées sont de 2 h 30 pour des saletés légères et de 3 h 30 à 4 h 30 pour des saletés moyennes à abondantes.

Lorsque le four est complètement refroidi, retirer les cendres avec un chiffon humide.

La lampe du four ne fonctionne pas pendant le programme d'autonettoyage.

### Autonettoyage :

Avant l'autonettoyage, s'assurer que la porte est bien fermée, sinon elle ne se verrouillera pas et le programme ne commencera pas.

1. Appuyer sur AUTO CLEAN (autonettoyage).
2. Appuyer sur les touches à flèche HR "up" (vers le haut) ou "down" (vers le bas) pour régler une durée de nettoyage autre que 3 h 30. La durée de nettoyage peut être réglée entre 2 h 30 et 4 h 30.
3. Appuyer sur START (mise en marche).  
La porte du four se verrouille automatiquement et le message "LOCKED" (porte verrouillée) apparaît sur l'affichage. La porte ne se déverrouillera pas avant que le four ne soit froid.  
Lorsque le programme est terminé et que le four est refroidi, "End" (fin) apparaît sur l'affichage du four et "LOCKED" disparaît.
4. Appuyer sur OFF/CANCEL (arrêt/annulation) ou ouvrir la porte pour effacer l'affichage du four.

### Pour différer l'autonettoyage :

Avant de retarder la mise en marche de l'autonettoyage, s'assurer que l'horloge est réglée à la bonne heure. Voir la section "Horloge". De même, s'assurer que la porte est bien fermée, sinon elle ne se verrouillera pas et le programme ne commencera pas.

1. Appuyer sur AUTO CLEAN (autonettoyage).  
Appuyer sur les touches à flèche "up" (vers le haut) ou "down" (vers le bas) pour régler une durée de nettoyage autre que 3 h 30. La durée de nettoyage peut être réglée entre 2 h 30 et 4 h 30.
2. Appuyer sur STOP TIME (heure d'arrêt).

3. Appuyer sur les touches à flèche "up" ou "down" des heures et des minutes (HOUR et MIN) pour régler l'heure à laquelle on désire arrêter l'autonettoyage.
4. Appuyer sur START (mise en marche).  
L'heure de mise en marche est automatiquement calculée et affichée.

La porte se verrouille automatiquement et "LOCKED" (porte verrouillée), "CLEAN" (nettoyage) et "DELAY TIMED" (délai minuté) apparaissent sur l'affichage. La porte ne se déverrouillera pas avant que le four ait refroidi.

Lorsque l'heure de mise en marche est atteinte, le four s'allume automatiquement.

Lorsque le programme est terminé et que le four est refroidi, "End" (fin) apparaît sur l'affichage du four et "LOCKED" (porte verrouillée) disparaît.

5. Appuyer sur n'importe quelle touche ou ouvrir la porte du four pour effacer l'affichage du four.

### Pour arrêter le programme d'autonettoyage à tout moment :

Appuyer sur OFF/CANCEL (arrêt/annulation). Si la température du four est trop élevée, la porte restera verrouillée. Elle ne se déverrouillera pas avant que le four soit froid.

## Nettoyage général

**IMPORTANT :** Avant le nettoyage, s'assurer que toutes les commandes sont désactivées et que le four et la table de cuisson sont refroidis. Toujours suivre les instructions sur les étiquettes des produits nettoyants.

Du savon, de l'eau et un linge doux ou une éponge sont recommandés, à moins d'indication contraire.

### SURFACES EXTERNES EN ÉMAIL VITRIFIÉ (sur certains modèles)

Les renversements d'aliments contenant des produits acides, tels que vinaigre et tomates, devraient être nettoyés dès que l'appareil est refroidi. Ces renversements peuvent affecter le fini.

- Nettoyant à vitres, nettoyant doux liquide ou tampon à récuser non abrasif :

Nettoyer doucement autour de la plaque signalétique des numéros de modèle et de série car le frottage pourrait en effacer les chiffres.

### GRILLES ET CHAPEAUX ÉMAILLÉS

Les renversements d'aliments contenant des acides, tels que le vinaigre et les tomates, doivent être nettoyés aussitôt que la table de cuisson, les grilles et les chapeaux sont refroidis. Ces renversements peuvent affecter le fini.

Pour éviter l'écaillage, ne pas entrechoquer les grilles et les chapeaux ni les frapper contre des surfaces dures telles que les ustensiles en fonte.

Ne pas réinstaller les chapeaux sur les brûleurs quand ils sont mouillés.

Ne pas les nettoyer au moyen du programme d'autonettoyage.

- Tampon à récuser en plastique non abrasif et nettoyant liquide doux légèrement abrasif :

Nettoyer dès que la table de cuisson, les grilles et les chapeaux sont refroidis.

- Lave-vaisselle (grilles seulement, pas les chapeaux) :  
Utiliser le programme le plus intensif.

---

## BRÛLEURS DE SURFACE

---

### Modèles à brûleurs scellés

Voir la section “Brûleurs de surface scellés”.

### Modèles à brûleurs à flamme nue

Voir la section “Brûleurs à flamme nue”.

---

## COMMANDE DE LA TABLE DE CUISSON

---

Ne pas utiliser de laine d’acier, de produits de nettoyage abrasif ou de nettoyant pour four.

Ne pas les immerger.

Lors de la réinstallation des boutons, s’assurer que chaque bouton est à la position Off (arrêt).

Sur certains modèles, ne pas enlever les joints sous les boutons.

- Savon et eau ou lave-vaisselle :

Tirer les boutons directement hors du tableau de commande pour les enlever.

---

## TABLEAU DE COMMANDE

---

Ne pas utiliser des nettoyants abrasifs, tampons en laine d’acier, chiffons de lavage rudes ou certains essuie-tout en papier. Des dommages peuvent survenir.

- Un nettoyant à vitre, un linge doux ou une éponge :

Appliquer le nettoyant à vitre sur un linge doux ou une éponge, et non pas directement sur le tableau.

---

## EXTÉRIEUR DE LA PORTE DU FOUR

---

- Un nettoyant à vitre et des essuie-tout ou un tampon à récurer en plastique non abrasif.

Appliquer le nettoyant à vitre sur un linge doux ou une éponge, et non pas directement sur le tableau.

---

## CAVITÉ DU FOUR

---

Ne pas utiliser de nettoyant à four.

Les renversements d’aliments devraient être nettoyés lorsque le four est refroidi. Aux températures élevées, l’aliment réagit avec la porcelaine et des taches, éclats, piqûres ou marques blanchâtres peuvent survenir.

- Programme d’autonettoyage :

Voir d’abord “Programme d’autonettoyage”.

---

## GRILLES DU FOUR ET DE RÔTISSAGE

---

- Programme d’autonettoyage :

Voir d’abord “Programme d’autonettoyage”. Il faut ôter les grilles sinon elles se décolorent et deviendront plus difficiles à faire glisser. Dans ce cas, un léger revêtement d’huile végétale appliqué sur les glissières des grilles les aidera à mieux glisser.

- Tampon en laine d’acier

---

## LÈCHEFRITE ET GRILLE

---

Ne pas nettoyer au programme d’autonettoyage (sur certains modèles).

- Nettoyant légèrement abrasif :

Frotter avec un tampon à récurer mouillé.

- Solution de ½ tasse (125 mL) d’ammoniac pour 1 gallon (3,75 L) d’eau :

Laisser tremper pendant 20 minutes, ensuite frotter avec un tampon à récurer ou en laine d’acier.

- Nettoyant pour four :

Suivre le mode d’emploi sur l’étiquette du produit.

### Émail vitrifié seulement, non le chrome

- Lave-vaisselle

---

## TIROIR DE REMISAGE

---

Veiller à ce que le tiroir soit froid et vide avant de le nettoyer.

Pour plus d’information, voir la section “Tiroir de remisage”.

- Détergent doux.

---

## Lampe du four

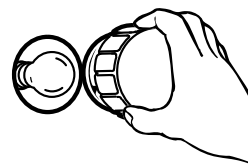
(sur certains modèles)

La lampe du four contient une ampoule d’appareils ménagers standard de 15 watts. Elle s’allume lorsqu’on ouvre la porte du four. Elle ne fonctionne pas pendant le programme d’autonettoyage (sur certains modèles). Sur certains modèles, on peut allumer et éteindre la lampe du four avec la porte fermée en appuyant sur OVEN LIGHT (lampe du four).

Avant de changer l’ampoule, s’assurer que le four et la table de cuisson sont froids et que les boutons de commande sont à la position OFF (arrêt).

### Remplacement de l’ampoule :

1. Débrancher la cuisinière ou déconnecter la source de courant électrique.
2. Dévisser le couvercle de l’ampoule en verre à l’arrière du four dans le sens antihoraire pour l’enlever.



3. Dévisser l’ampoule dans le sens antihoraire pour la sortir de sa douille.
4. Visser l’ampoule neuve et le couvercle en verre en tournant dans le sens horaire.
5. Brancher la cuisinière ou reconnecter la source de courant électrique.

---

## Tiroir de remisage

Le tiroir de remisage peut être enlevé. Avant de l'enlever, s'assurer que le tiroir est froid et vide.

### Enlèvement :

1. Tirer le tiroir jusqu'à la première butée d'arrêt.
2. Soulever l'arrière du tiroir et retirer.

### Réinstallation :

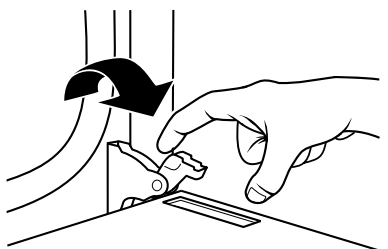
1. Insérer les extrémités des rails du tiroir dans les creux.
  2. Glisser le tiroir jusqu'au bout.
- 

## Porte du four

Il n'est pas recommandé d'enlever la porte du four pour une utilisation normale. Toutefois, s'il est nécessaire de l'enlever, s'assurer que le four est éteint et froid. Puis suivre ces instructions. La porte du four est lourde.

### Enlèvement :

1. Ouvrir la porte du four complètement.
2. Relever le verrou de charnière de chaque côté.



3. Fermer la porte du four le plus complètement possible.
4. Soulever la porte du four tout en la retenant de chaque côté avec les deux mains.

Continuer de maintenir la porte du four fermée et l'éloigner du châssis de la porte du four.



### Réinstallation :

1. Insérer les deux bras de suspension dans la porte.



2. Ouvrir la porte du four.  
Vous devriez entendre un déclic alors que la porte est mise en place.
3. Remettre les leviers des charnières à la position verrouillée. S'assurer que la porte peut s'ouvrir et se fermer. Sinon, répéter les procédés d'enlèvement et d'installation.

---

# DÉPANNAGE

Essayer les solutions suggérées ici d'abord afin d'éviter le coût d'une visite de service non nécessaire.

---

### Rien ne fonctionne

- **Est-ce que le cordon d'alimentation est débranché?** Brancher sur une prise à 3 alvéoles reliée à la terre.
- **Un fusible est-il grillé ou le disjoncteur s'est-il ouvert?** Remplacer le fusible ou remettre le disjoncteur en fonction.

---

### Les brûleurs de surface ne fonctionnent pas

- **Est-ce la première fois que les brûleurs de surface sont utilisés?** Tourner n'importe lequel des boutons des brûleurs de surface pour libérer l'air des conduites de gaz.
- **Le bouton de commande est-il réglé correctement?** Pousser sur le bouton avant de le tourner à un réglage.
- **Les orifices du brûleur sont-ils obstrués?** Sur les modèles à brûleurs scellés, voir la section "Brûleurs de surface".

---

### Les flammes des brûleurs de surface sont inégales, jaunes et/ou bruyantes

- **Les orifices du brûleur sont-ils obstrués?** Sur les modèles à brûleurs scellés, voir la section "Brûleurs de surface".
- **Sur les modèles avec chapeaux, les chapeaux de brûleurs sont-ils positionnés correctement?** Voir la section "Brûleurs de surface".
- **Le brûleur est-il endommagé?** Sur les modèles avec chapeaux, examiner le chapeau pour voir s'il est déformé. Si le chapeau tourne librement sur une surface plane, côté peint vers le bas, il est déformé. Échanger le chapeau contre un brûleur de surface différent pour vérifier s'il y a une autre déformation. Contacter un technicien de réparation.
- **Utilise-t-on du gaz propane?** Il est possible que l'appareil ait été converti incorrectement. Contacter un technicien de réparation.



---

## Émission de bruits secs par le brûleur de surface

---

- **Le brûleur est-il mouillé?** Le laisser sécher.

---

## Le brûleur produit des étincelles, mais ne s'allume pas

---

- **Est-ce que le brûleur produit des étincelles continues sans s'allumer?** Discontinuer l'utilisation du brûleur de surface et contacter un technicien de service.

---

## Chaleur excessive autour de l'ustensile de cuisson sur la table de cuisson

---

- **L'ustensile est-il de dimension appropriée?** Utiliser un ustensile de cuisson à peu près de la même dimension que la surface de cuisson, de l'élément ou du brûleur de surface. L'ustensile de cuisson ne doit pas dépasser de plus de 1" (2,5 cm) hors de la surface de cuisson.

---

## Les résultats de cuisson ne sont pas ce qui est était prévu

---

- **Un ustensile de cuisson approprié a-t-il été employé?** Voir la section "Ustensiles" de cuisson.
- **Le bouton de commande est-il réglé au niveau approprié de chaleur?** Voir la section "Boutons de commande".
- **L'appareil est-il d'aplomb?** Nivelier l'appareil. Voir les instructions d'installation.

---

## Le four ne fonctionne pas

---

- **Est-ce la première fois que le four est utilisé?** Tourner n'importe lequel des boutons des brûleurs de surface pour libérer l'air des conduites de gaz.
- **La commande électronique du four est-elle correctement réglée?** Voir la section "Commande électronique du four".
- **Sur certains modèles, le verrouillage des commandes est-il réglé?** Voir la section "Verrouillage des commandes".

---

## Les flammes du brûleur du four sont jaunes ou bruyantes

---

- **Utilise-t-on du gaz propane?** Il est possible que l'appareil ait été converti incorrectement. Contacter un technicien de réparation.

---

## Le ventilateur de refroidissement fonctionne durant la cuisson au four, la cuisson au gril ou le nettoyage

---

- Il est normal que le ventilateur fonctionne automatiquement pour refroidir la commande électronique durant l'utilisation du four. Le ventilateur fonctionne aussi pendant un certain temps une fois que le four est éteint.

---

## Température du four trop élevée ou trop faible

---

- **Le calibrage de la température du four a-t-il besoin d'être ajusté?** Voir la section "Commande de température du four".

---

## L'affichage indique des messages

---

- **L'affichage montre-t-il "PF," "PF id=27" ou "PF id=30"?** Une panne de courant est survenue. Effacer l'affichage. Voir la section "Affichages". Sur certains modèles, régler de nouveau l'horloge si nécessaire. Voir la section "Horloge".
- **L'affichage montre-t-il une lettre suivie par un chiffre?** Effacer l'affichage. Voir la section "Affichages". Si le message réapparaît, faire un appel de service.

---

## Le programme d'autonettoyage ne fonctionne pas

---

- **La porte du four est-elle ouverte?** Fermer complètement la porte du four.
- **La fonction a-t-elle été entrée?** Voir la section "Programme d'autonettoyage".
- **Sur certains modèles, une mise en marche différée du programme d'autonettoyage a-t-elle été réglée?** Voir la section "Programme d'autonettoyage".
- **Une mise en marche différée a-t-elle été réglée?** Voir la section "Cuisson minutée".

---

## Les résultats de cuisson au four ne sont pas ceux prévus

---

- **L'appareil est-il d'aplomb?** Mettre l'appareil d'aplomb. Voir les instructions d'installation.
- **La température correcte est-elle réglée?** Accroître la température de 25°F (15°C).
- **Le calibrage de la température du four est-il réglé correctement?** Voir la section "Commande de la température du four".
- **Le four a-t-il été préchauffé?** Attendre que le four soit préchauffé avant d'y placer des aliments.
- **Le bon ustensile de cuisson a-t-il été employé?** Voir la section "Ustensiles de cuisson".
- **Les grilles sont-elles en bonne position?** Voir la section "Position des grilles et ustensiles de cuisson".
- **Existe-t-il une circulation d'air appropriée autour des ustensiles de cuisson?** Voir la section "Position des grilles et ustensiles de cuisson".
- **La pâte est-elle distribuée également dans le plat?** Vérifier que la pâte est à niveau dans le plat.
- **La durée appropriée de cuisson a-t-elle été utilisée?** Accroître la durée de cuisson au four ou de rôtissage.
- **La porte a-t-elle été ouverte pendant la cuisson?** L'ouverture de la porte pour vérifier la cuisson laisse la chaleur du four s'échapper et peut nécessiter des durées de cuisson plus longues.
- **Les articles cuits au four sont-ils trop bruns à la base?** Diminuer la température du four de 15°F à 25°F (5°C à 15°C).
- **Les bords des croûtes à tarte ont-ils bruni trop tôt?** Utiliser du papier d'aluminium pour couvrir le bord de la croûte.

# ASSISTANCE OU SERVICE

Avant de faire un appel pour assistance ou service, consulter la section "Dépannage". Ce guide peut vous faire économiser le coût d'une visite de service. Si vous avez encore besoin d'aide, suivre les instructions ci-dessous.

Lors d'un appel, veuillez connaître la date d'achat, le numéro de modèle et le numéro de série au complet de l'appareil. Ces renseignements nous aideront à mieux répondre à votre demande.

## Si vous avez besoin de pièces de rechange

Si vous avez besoin de commander des pièces de rechange, nous vous recommandons d'employer uniquement des pièces de rechange FSP®. Les pièces de rechange FSP® conviendront et fonctionneront bien parce qu'elles sont fabriquées avec la même précision utilisée dans la fabrication de chaque nouvel appareil WHIRLPOOL®.

Pour obtenir des pièces de rechange FSP® dans votre région, composer le numéro de téléphone de notre Centre d'interaction avec la clientèle ou du centre de service désigné le plus proche de Whirlpool.

## Aux États-Unis

Téléphoner au Centre d'interaction avec la clientèle de Whirlpool Corporation sans frais d'interurbain au : **1-800-253-1301**.

### Nos consultants sont prêts à vous aider pour les questions suivantes :

- Caractéristiques et spécifications sur toute notre gamme d'appareils électroménagers.
- Renseignements d'installation.
- Procédés d'utilisation et d'entretien.
- Vente de pièces de rechange et d'accessoires.
- Assistance spécialisée aux consommateurs (langue espagnole, malentendants, malvoyants, etc.).
- Références aux marchands locaux, distributeurs de pièces de rechange et compagnies de service. Les techniciens de service désignés par Whirlpool Corporation sont formés pour effectuer les travaux de réparation sous garantie et le service après la garantie, partout aux États-Unis.

Pour localiser la compagnie de service désignée par Whirlpool Corporation dans votre région, vous pouvez aussi consulter les Pages jaunes de l'annuaire téléphonique.

## Pour plus d'assistance

Si vous avez besoin de plus d'assistance, vous pouvez soumettre par écrit toute question ou préoccupation à Whirlpool Corporation à l'adresse suivante :

Whirlpool Brand Home Appliances  
Customer Interaction Center  
553 Benson Road  
Benton Harbor, MI 49022-2692

Dans votre correspondance veuillez indiquer un numéro de téléphone où on peut vous joindre le jour.

## Au Canada

Pour des questions relatives aux produits, veuillez appeler sans frais le Centre d'interaction avec la clientèle de Whirlpool Canada Inc. au : **1-800-461-5681**.

Lundi à vendredi 8 h - 18 h (HNE).

Samedi 8 h 30 - 16 h 30 (HNE).

### Nos consultants vous renseigneront sur les sujets suivants :

- Caractéristiques et spécifications sur toute notre gamme d'appareils électroménagers.
- Références aux marchands locaux.

Pour pièces, accessoires et service au Canada

Composer le **1-800-807-6777**. Les techniciens de service désignés par Whirlpool Canada Inc. sont formés pour remplir la garantie des produits et fournir un service après la garantie, partout au Canada.

## Pour plus d'assistance

Si vous avez besoin de plus d'assistance, vous pouvez soumettre par écrit toute question ou préoccupation à Whirlpool Canada Inc. à l'adresse suivante :

Centre d'interaction avec la clientèle  
Whirlpool Canada Inc.  
1901 Minnesota Court  
Mississauga, Ontario L5N 3A7

Veuillez inclure dans votre correspondance un numéro de téléphone où on peut vous joindre dans la journée.

---

# GARANTIE SUR LES TABLES DE CUISSON ET CUISINIÈRES À GAZ WHIRLPOOL®

---

## GARANTIE COMPLÈTE DE UN AN

Pendant un an à compter de la date d'achat, lorsque cet appareil est utilisé et entretenu conformément aux instructions jointes ou fournies avec le produit, Whirlpool Corporation paiera pour les pièces de rechange FSP® et la main-d'oeuvre de réparation pour corriger les vices de matériaux ou de fabrication. Le service doit être fourni par une compagnie de service désignée par Whirlpool.

---

## GARANTIE LIMITÉE DE LA DEUXIÈME À LA CINQUIÈME ANNÉE SUR LES BRÛLEURS À GAZ

Sur les cuisinières et tables de cuisson à gaz, de la deuxième à la cinquième année inclusivement à compter de la date d'achat, lorsque cet appareil est utilisé et entretenu conformément aux instructions jointes ou fournies avec le produit, Whirlpool Corporation paiera pour les pièces de rechange FSP® pour tout brûleur à gaz pour corriger les vices de matériaux ou de fabrication. Le service doit être fourni par une compagnie de service désignée par Whirlpool.

---

### Whirlpool Corporation ne paiera pas pour :

1. Les visites de service pour rectifier l'installation de votre appareil ménager, pour enseigner comment utiliser votre appareil, pour remplacer des fusibles dans la maison ou corriger la filerie de la maison ou pour remplacer des ampoules d'éclairage accessibles au propriétaire.
2. Les réparations lorsque votre appareil est utilisé à des fins autres que l'usage unifamilial normal.
3. Le ramassage et la livraison. Votre appareil ménager est conçu pour être réparé à domicile.
4. Les dommages imputables à : accident, modification, mésusage, abus, incendie, inondation, mauvaise installation, actes de Dieu, ou utilisation de produits non approuvés par Whirlpool Corporation ou Whirlpool Canada Inc.
5. Réparations aux pièces ou systèmes résultant d'une modification non autorisée faite à l'appareil.
6. Le coût des pièces de rechange ou de la main-d'oeuvre de réparation pour les appareils utilisés en dehors du Canada.
7. Au Canada, les frais de voyage ou de transport pour les clients qui habitent dans des régions éloignées.
8. Tous frais de la main-d'oeuvre au cours de la période de garantie limitée.

---

### WHIRLPOOL CORPORATION ET WHIRLPOOL CANADA INC. N'ASSUMENT AUCUNE RESPONSABILITÉ POUR LES DOMMAGES SECONDAIRES OU INDIRECTS.

Certains provinces ne permettent pas l'exclusion ou la limitation des dommages secondaires ou indirects de sorte que cette exclusion ou limitation peut ne pas être applicable dans votre cas. Cette garantie vous confère des droits juridiques spécifiques et vous pouvez également jouir d'autres droits qui peuvent varier d'une province à l'autre.

**À l'extérieur du Canada, cette garantie ne s'applique pas. Contacter votre marchand Whirlpool autorisé pour déterminer si une autre garantie s'applique.**

Si vous avez besoin de service, voir d'abord "Dépannage" dans ce manuel. Après avoir vérifié "Dépannage" une aide additionnelle peut être trouvée en vérifiant la section "Assistance ou service" ou en téléphonant au Centre d'interaction avec la clientèle de Whirlpool en composant le **1-800-461-5681**. Pour pièces, accessoires, installation et service, composer le **1-800-807-6777**. 5/00

---

**Conservez ce manuel et votre reçu de vente ensemble pour référence ultérieure. Pour le service sous garantie, vous devez présenter un document prouvant la date d'achat ou d'installation.**

Inscrivez les renseignements suivants au sujet de votre appareil pour mieux obtenir assistance ou service en cas de besoin. Vous devrez connaître les numéros au complet de modèle et de série. Cette information est donnée sur la plaque signalétique des numéros de modèle et de série, située sur votre appareil tel qu'indiqué dans la section "Pièces et caractéristiques".

Nom du marchand \_\_\_\_\_

Adresse \_\_\_\_\_

Numéro de téléphone \_\_\_\_\_

Numéro de modèle \_\_\_\_\_

Numéro de série \_\_\_\_\_

Date d'achat \_\_\_\_\_

**9757455**

© 2004 Whirlpool Corporation.  
All rights reserved.  
Tous droits réservés.

® Registered Trademark/TM Trademark of Whirlpool, U.S.A., Whirlpool Canada Inc. Licensee in Canada  
® Marque déposée/TM Marque de commerce de Whirlpool, U.S.A., Emploi licencié par Whirlpool Canada Inc. au Canada

5/04  
Printed in U.S.A.  
Imprimé aux É.-U.