
INSTALLATION INSTRUCTIONS

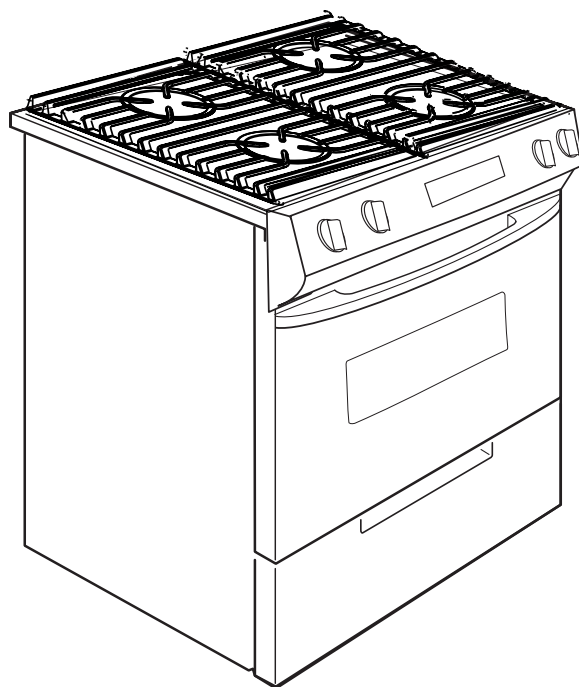
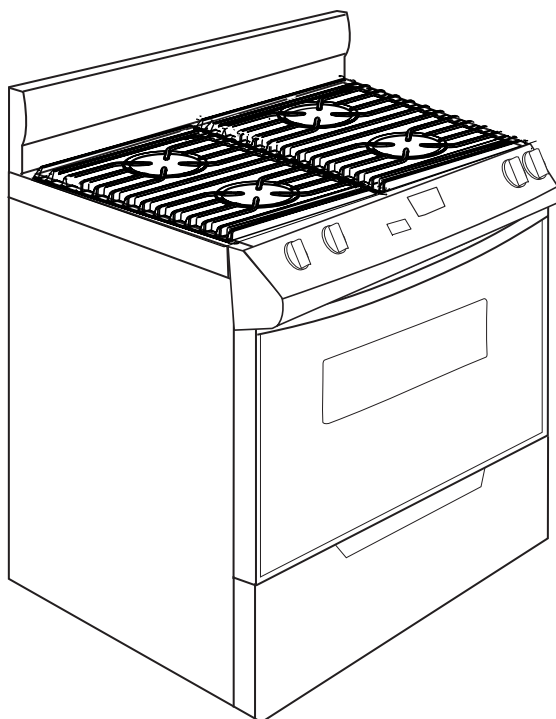
30" (76.2 CM) FREESTANDING AND SLIDE-IN GAS RANGES

INSTRUCTIONS POUR L'INSTALLATION DES

CUISINIÈRES À GAZ AUTOPORTANTE OU ENCASTRABLE

DE 30" (76,2 CM)

Table of Contents/Table des matières.....2



IMPORTANT: Save installation instructions for local electrical inspector's use.

IMPORTANT: Conserver les instructions d'installation à l'usage de l'inspecteur local des installations électriques.

TABLE OF CONTENTS

RANGE SAFETY	2
INSTALLATION REQUIREMENTS	4
Tools and Parts	4
Location Requirements	4
Electrical Requirements	6
Gas Supply Requirements	6
Countertop Preparation (for Slide-in Ranges Only)	7
INSTALLATION INSTRUCTIONS	8
Unpack Range.....	8
Install Anti-Tip Bracket.....	8
Install Rear Vent	9
Verify Anti-Tip Bracket Location	9
Level Range.....	9
Make Gas Connection	9
Electronic Ignition System	10
Replace Oven Racks & Storage or Warming Drawer	12
Complete Installation	12
GAS CONVERSIONS	13
LP Gas Conversion	13
Natural Gas Conversion	15

TABLE DES MATIÈRES

SÉCURITÉ DE LA CUISINIÈRE	19
EXIGENCES D'INSTALLATION	20
Outillage et pièces	20
Emplacement d'installation	20
Spécifications électriques	22
Spécifications de l'alimentation en gaz	22
Préparation du plan de travail (pour cuisinières encastrables uniquement)	23
INSTRUCTIONS D'INSTALLATION	24
Déballage de la cuisinière	24
Installation de la bride antibasculement	24
Installation du raccord du conduit d'évacuation à l'arrière	25
Vérification de l'emplacement de la bride anti-basculement	25
Mise à niveau de la cuisinière	26
Raccordement à la canalisation de gaz.....	26
Système d'allumage électronique.....	27
Réinstallation des grilles dans le four et du tiroir de remisage ou du tiroir-réchaud.....	29
Achever l'installation	29
CONVERSIONS POUR CHANGEMENT DE GAZ	30
Conversion pour l'alimentation au propane.....	30
Conversion pour l'alimentation au gaz naturel	33

RANGE SAFETY

Your safety and the safety of others are very important.

We have provided many important safety messages in this manual and on your appliance. Always read and obey all safety messages.



This is the safety alert symbol.

This symbol alerts you to potential hazards that can kill or hurt you and others.

All safety messages will follow the safety alert symbol and either the word "DANGER" or "WARNING."

These words mean:

⚠ DANGER

You can be killed or seriously injured if you don't immediately follow instructions.

⚠ WARNING

You can be killed or seriously injured if you don't follow instructions.

All safety messages will tell you what the potential hazard is, tell you how to reduce the chance of injury, and tell you what can happen if the instructions are not followed.

WARNING: For your safety, the information in this manual must be followed to minimize the risk of fire or explosion, or to prevent property damage, personal injury, or death.

- Do not store or use gasoline or other flammable vapors and liquids in the vicinity of this or any other appliance.
- **WHAT TO DO IF YOU SMELL GAS:**
 - Do not try to light any appliance.
 - Do not touch any electrical switch; do not use any phone in your building.
 - Clear the room, building, or area of all occupants.
 - Immediately call your gas supplier from a neighbor's phone. Follow the gas supplier's instructions.
 - If you cannot reach your gas supplier, call the fire department.
- Installation and service must be performed by a qualified installer, service agency, or the gas supplier.

In the State of Massachusetts, the following installation instructions apply:

- Installations and repairs must be performed by a qualified or licensed contractor, plumber, or gasfitter qualified or licensed by the State of Massachusetts.
- If using a ball valve, it shall be a T-handle type.
- A flexible gas connector, when used, must not exceed 3 feet.



⚠ WARNING

Tip Over Hazard

- A child or adult can tip the range and be killed.**
- Connect anti-tip bracket to rear range foot.**
- Reconnect the anti-tip bracket, if the range is moved.**
- Failure to follow these instructions can result in death or serious burns to children and adults.**

INSTALLATION REQUIREMENTS

Tools and Parts

Assemble the required tools and parts before starting installation. Read and follow the safety instructions provided with any tools listed here.

Tools needed

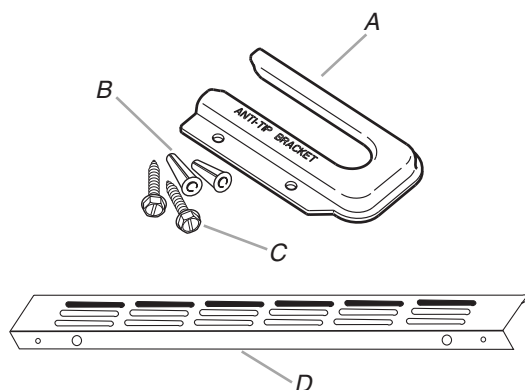
- Tape measure
- Flat-blade screwdriver
- Phillips screwdriver
- Level
- Hand or electric drill
- Hammer
- Channel lock pliers
- Pipe wrench
- 1⁵/₁₆" combination wrench
- 3/8" drive ratchet
- 3/8" nut driver
- 1/8" (3.2 mm) drill bit (for wood floors)
- Marker or pencil
- Masking tape
- Pipe-joint compound resistant to LP gas
- 3/16" (4.8 mm) carbide-tipped masonry drill bit (for concrete/ceramic floors)
- Noncorrosive leak-detection solution

For LP/Natural Gas Conversions

- 1/2" combination wrench
- 7 mm combination wrench
- 7 mm nut driver
- Size T20 Torx screwdriver

Parts supplied

Check that all parts are included.



- A. Anti-tip Bracket
- B. Plastic anchors (2)
- C. #10 x 1/2" screws (2)
- D. Rear vent (for slide-in models)

- Brackets must be securely mounted to subfloor. Thickness of flooring may require longer screws to anchor bracket to subfloor. Longer screws are available from your local hardware store.

Parts needed

Check local codes and consult gas supplier. Check existing gas supply and electrical supply. See "Electrical Requirements" and "Gas Supply Requirements" sections.

Location Requirements

IMPORTANT: Observe all governing codes and ordinances. Do not obstruct flow of combustion and ventilation air.

- It is the installer's responsibility to comply with installation clearances specified on the model/serial rating plate. The model/serial rating plate is located on the oven frame behind the storage drawer panel.
- The range should be located for convenient use in the kitchen.
- Recessed installations must provide complete enclosure of the sides and rear of the range.
- To eliminate the risk of burns or fire by reaching over heated surface units, cabinet storage space located above the surface units should be avoided. If cabinet storage is to be provided, the risk can be reduced by installing a range hood that projects horizontally a minimum of 5" (12.7 cm) beyond the bottom of the cabinets.
- All openings in the wall or floor where range is to be installed must be sealed.
- Do not seal the range to the side cabinets.
- Cabinet opening dimensions that are shown must be used. Given dimensions are minimum clearances.
- The floor anti-tip bracket must be installed. To install the anti-tip bracket shipped with the range, see "Install Anti-Tip Bracket" section.
- Grounded electrical supply is required. See "Electrical Requirements" section. Proper gas supply connection must be available. See "Gas Supply Requirements" section.
- Contact a qualified floor covering installer to check that the floor covering can withstand at least 200°F (93°C).
- Use an insulated pad or 1/4" (0.64 cm) plywood under range if installing range over carpeting.

IMPORTANT: Some cabinet and building materials are not designed to withstand the heat produced by the oven for baking and self-cleaning. Check with your builder or cabinet supplier to make sure that the materials used will not discolor, delaminate or sustain other damage.

Mobile Home - Additional Installation Requirements

The installation of this range must conform to the Manufactured Home Construction and Safety Standard, Title 24 CFR, Part 3280 (formerly the Federal Standard for Mobile Home Construction and Safety, Title 24, HUD Part 280). When such standard is not applicable, use the Standard for Manufactured Home Installations, ANSI A225.1/NFPA 501A or with local codes.

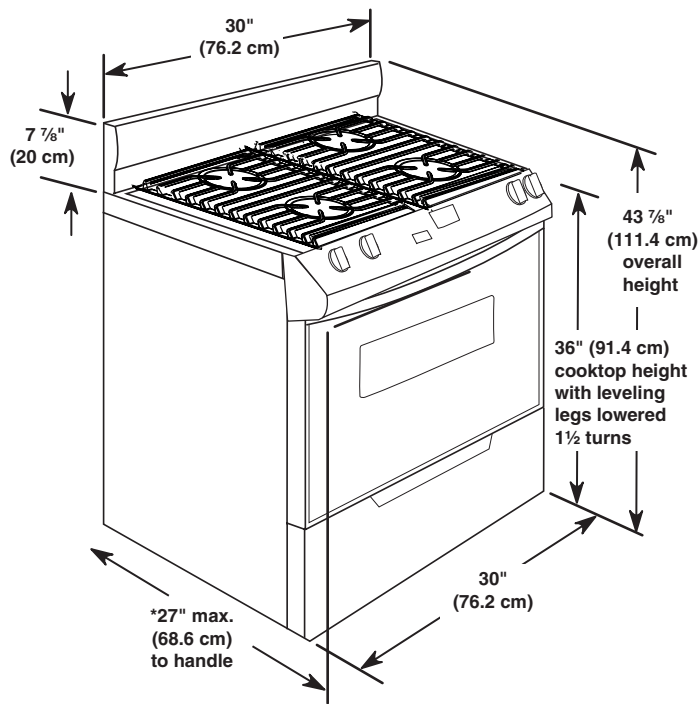
In Canada, the installation of this range must conform with the current standards CAN/CSA-A240-latest edition, or with local codes.

Mobile home installations require:

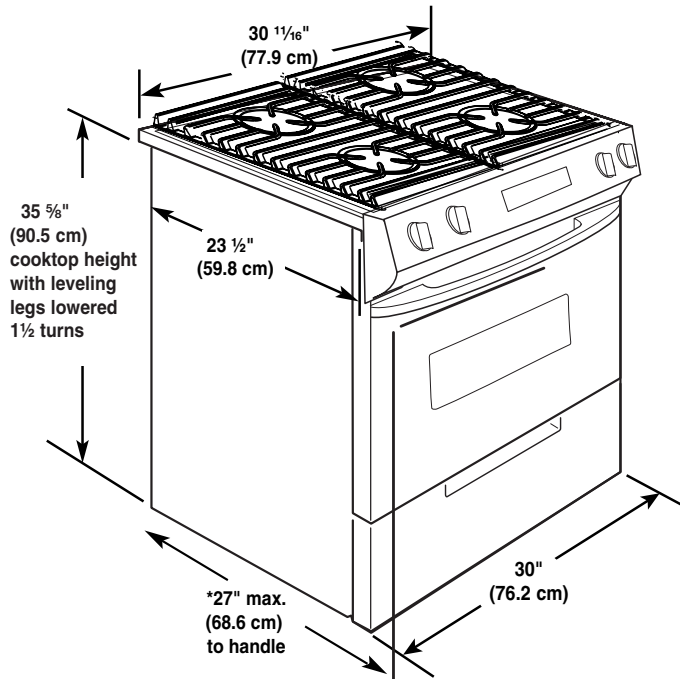
- When this range is installed in a mobile home, it must be secured to the floor during transit. Any method of securing the range is adequate as long as it conforms to the standards listed above.

Product Dimensions

Freestanding Range



Slide-in Range

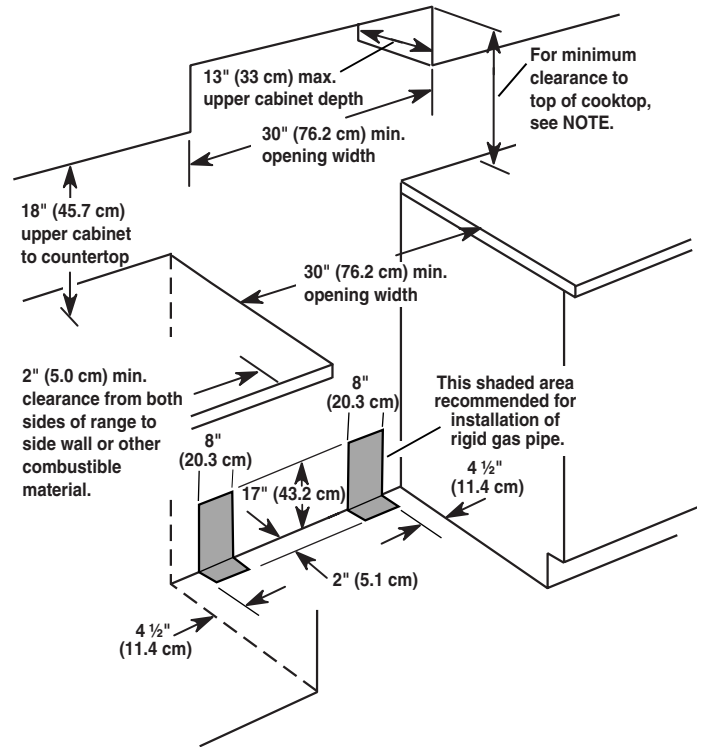


*When installed in a 24" (61 cm) base cabinet with 25" (63.5 cm) countertop; front of oven door protrudes 1 7/8" (4.8 cm) beyond 24" (61 cm) base cabinet.

Installation Clearances

Cabinet opening dimensions shown are for 25" (64 cm) countertop depth, 24" (61 cm) base cabinet depth and 36" (91.4 cm) countertop height.

Freestanding and Slide-in Range



NOTE: 24" (61 cm) minimum when bottom of wood or metal cabinet is protected by not less than 1/4" (0.64 cm) flame retardant millboard covered with not less than No. 28 MSG sheet steel, 0.015" (0.4 mm) stainless steel, 0.024" (0.6 mm) aluminum or 0.020" (0.5 mm) copper.

30" (76.2 cm) minimum clearance between the top of the cooking platform and the bottom of an unprotected wood or metal cabinet.

Electrical Requirements

⚠ WARNING



Electrical Shock Hazard

Plug into a grounded 3 prong outlet.

Do not remove ground prong.

Do not use an adapter.

Do not use an extension cord.

Failure to follow these instructions can result in death, fire, or electrical shock.

IMPORTANT: The range must be electrically grounded in accordance with local codes and ordinances, or in the absence of local codes, with the National Electrical Code, ANSI/NFPA 70 or Canadian Electrical Code, CSA C22.1

If codes permit and a separate ground wire is used, it is recommended that a qualified electrical installer determine that the ground path is adequate.

A copy of the above code standards can be obtained from:

National Fire Protection Association
One Batterymarch Park, Quincy, MA 02269.

CSA International
8501 East Pleasant Valley Road
Cleveland, Ohio 44131-5575

- A 120-volt, 60-Hz, AC-only, 15 amp, fused electrical circuit is required. A time-delay fuse or circuit breaker is also recommended. It is recommended that a separate circuit serving only this range be provided.
- Electronic ignition systems operate within wide voltage limits, but proper grounding and polarity are necessary. In addition to checking that the outlet provides 120-volt power and is correctly grounded, the outlet must be checked by a qualified electrician to see that it is wired with correct polarity.
- The wiring diagram is located on the underside of the storage drawer or below the warming drawer in a clear plastic bag.

NOTE: The metal chassis of the range must be grounded in order for the control panel to work. If the metal chassis of the range is not grounded, no keypads will operate. Check with a qualified electrician if you are in doubt as to whether the metal chassis of the range is grounded.

Gas Supply Requirements

⚠ WARNING



Explosion Hazard

Use a new AGA or CSA approved gas supply line.

Securely tighten all gas connections.

If connected to LP, have a qualified person make sure gas pressure does not exceed 14" (36 cm) water column.

Examples of a qualified person include:

licensed heating personnel,
authorized gas company personnel, and
authorized service personnel.

Failure to do so can result in death, explosion, or fire.

Observe all governing codes and ordinances.

IMPORTANT: This installation must conform with all local codes and ordinances. In the absence of local codes, installation must conform with American National Standard, National Fuel Gas Code ANSI Z223.1 - latest edition or CAN/CGA B149 - latest edition.

Type of Gas

Natural Gas:

This range is design-certified by the American Gas Association (A.G.A.) for use with natural gas or, after proper conversion, for use with LP gas.

- This range is factory set for use with natural gas. See "Gas Conversions" section. The model/serial rating plate located on the frame behind the storage drawer has information on the types of gas that can be used. If the types of gas listed do not include the type of gas available, check with the local gas supplier.

LP Gas conversion:

Conversion must be done by a qualified service technician.

No attempt shall be made to convert the appliance from the gas specified on the model/serial rating plate for use with a different gas without consulting the serving gas supplier. See "Gas Conversions" section.

Gas Supply Line

- Provide a gas supply line of 3/4" rigid pipe to the range location. A smaller size pipe on longer runs may result in insufficient gas supply. Pipe joint compounds that resist the action of LP gas must be used. Do not use TEFLON[®] tape. With LP gas, piping or tubing size can be 1/2" minimum. Usually, LP gas suppliers determine the size and materials used in the system.

Flexible metal appliance connector:

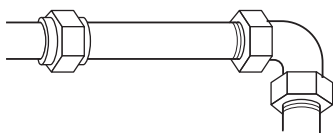
- If local codes permit, a new A.G.A./C.S.A. design-certified, 4 - 5 ft (122 - 152.4 cm) long, ½" (1.3 cm) or ¾" (1.9 cm) I.D., flexible metal appliance connector may be used for connecting range to the gas supply line.



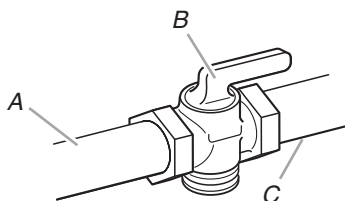
- A ½" (1.3 cm) male pipe thread is needed for connection to the female pipe threads of the inlet to the appliance gas pressure regulator.
- Do not kink or damage the flexible metal tubing when moving the range.

Rigid pipe connection:

The rigid pipe connection requires a combination of pipe fittings to obtain an in-line connection to the range. The rigid pipe must be level with the range connection. All strains must be removed from the supply and fuel lines so range will be level and in line.



- Must include a shutoff valve:
The supply line must be equipped with a manual shutoff valve. This valve should be located in the same room but external to the range. It should be in a location that allows ease of opening and closing. Do not block access to shutoff valve. The valve is for turning on or shutting off gas to the range.



A. Gas supply line
B. Shutoff valve "open" position
C. To range

Gas Pressure Regulator

The gas pressure regulator supplied with this range must be used. The inlet pressure to the regulator should be as follows for proper operation:

Natural Gas:

Minimum pressure: 6" WCP
Maximum pressure: 14" WCP

LP Gas:

Minimum pressure: 11" WCP
Maximum pressure: 14" WCP

Contact local gas supplier if you are not sure about the inlet pressure.

Burner Input Requirements

Input ratings shown on the model/serial rating plate are for elevations up to 2,000 ft (609.6 m).

For elevations above 2,000 ft (609.6 m), ratings are reduced at a rate of 4% for each 1,000 ft (304.8 m) above sea level (not applicable for Canada).

Gas Supply Pressure Testing

Line pressure testing above ½ psi gauge (14" WCP)

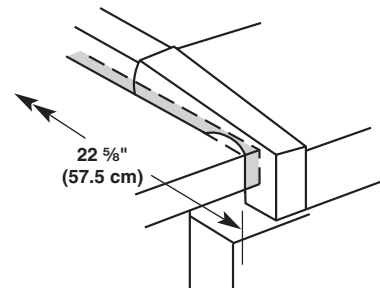
The range and its individual manual shutoff valve must be disconnected from the gas supply piping system during any pressure testing of that system at test pressures greater than ½ psi (3.5 kPa).

Line pressure testing at ½ psi gauge (14" WCP) or lower

The range must be isolated from the gas supply piping system by closing its individual manual shutoff valve during any pressure testing of that system at test pressures equal to or less than ½ psi (3.5 kPa).

Countertop Preparation (for Slide-in Ranges Only)

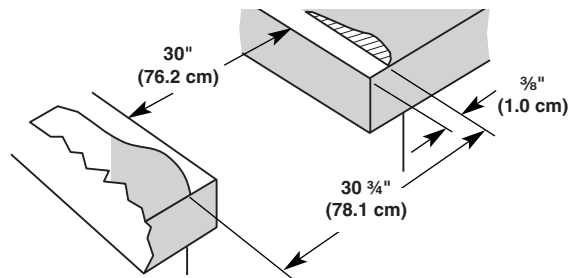
The cooktop sides of the slide-in range fit over the cutout edge of your countertop.



If you have a square finish (flat) countertop and the opening width is 30" (76.2 cm), no countertop preparation is required.

Formed front-edged countertops must have molded edge shaved flat ⅜" (1.0 cm) from each front corner of opening.

Tile countertops may need trim cut back ⅜" (1.0 cm) from each front corner and/or rounded edge flattened.



If countertop opening width is greater than 30" (76.2 cm), adjust the ⅜" (1.0 cm) dimension.

Countertop must be level. Place level on countertop, first side to side; then front to back. If countertop is not level, range will not be level. Oven must be level for satisfactory baking performance.

INSTALLATION INSTRUCTIONS

Unpack Range

! WARNING

Excessive Weight Hazard

Use two or more people to move and install range.
Failure to do so can result in back or other injury.

1. Remove shipping materials, tape and protective film from range. Keep cardboard bottom under range. Remove oven racks and parts package from inside oven.
2. Take 4 cardboard corners from the carton. Stack one cardboard corner on top of another. Repeat with the other 2 corners. Place them lengthwise on the floor behind the range to support the range when it is laid on its back. Using 2 or more people, firmly grasp the range and gently lay it on its back on the cardboard corners.
3. Pull cardboard bottom firmly to remove.
4. Use an adjustable wrench to loosen the leveling legs.
5. Place cardboard or hardboard in front of range. Using 2 or more people, stand range back up onto cardboard or hardboard.

Install Anti-Tip Bracket

! WARNING



Tip Over Hazard

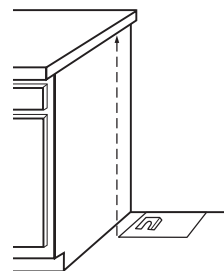
A child or adult can tip the range and be killed.
Connect anti-tip bracket to rear range foot.
Reconnect the anti-tip bracket, if the range is moved.
Failure to follow these instructions can result in death or serious burns to children and adults.

Contact a qualified floor covering installer for the best procedure for drilling mounting holes through your type of floor covering.

Before moving range, slide range onto shipping base, cardboard or hardboard.

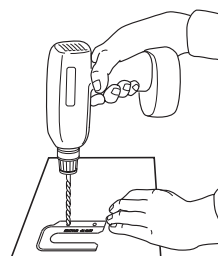
1. Remove template from the anti-tip bracket kit (found inside the oven cavity) or from the back page of this manual.
2. Place template on the floor in cabinet opening so that the left edge is against cabinet and top edge is against rear wall, molding or cabinet.
3. Tape template in place.

4. If countertop is not flush with cabinet opening edge, align template with overhang.



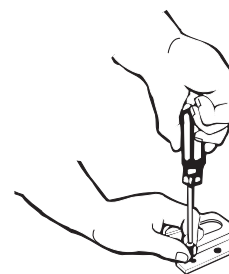
If cabinet opening is wider than specified in the "Location Requirements" section, adjust template so range will be centered in cabinet opening.

5. To mount anti-tip bracket to wood floor, drill two 1/8" (3.2 mm) holes at the positions marked on the bracket template. Remove template from floor.



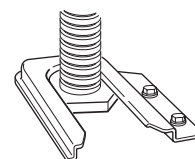
To mount anti-tip bracket to concrete or ceramic floor, use a 3/16" (4.8 mm) masonry drill bit to drill 2 holes at the positions marked on the bracket template. Remove template from floor.

6. Tap plastic anchors into holes with a hammer.
7. Align anti-tip bracket holes with holes in floor. Fasten anti-tip bracket with screws provided.



Depending on the thickness of your flooring, longer screws may be necessary to anchor the bracket to the subfloor. Longer screws are available from your local hardware store.

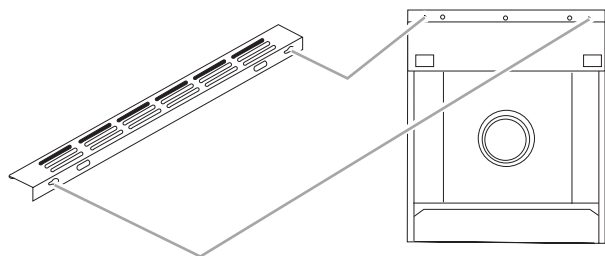
8. Move range close to opening. Remove shipping base, cardboard or hardboard from under range.
9. Connect power supply cord as described in the "Electrical Connection" section.
10. Move range into final position making sure rear leveling leg slides into anti-tip bracket.



11. Continue installing your range using the following installation instructions.

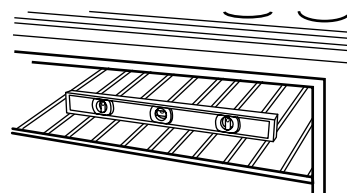
Install Rear Vent

If you have a slide-in range, the rear vent must be installed. Remove the outside screws from the rear trim on range. Use screws to attach rear vent to range.



Level Range

Place rack in oven. Place level on rack, first side to side; then front to back.



If range is not level, pull range forward until rear leveling leg is removed for the anti-tip bracket. Use $\frac{3}{8}$ " drive ratchet and channel lock pliers to adjust leveling legs up or down until range is level. Push range back into position. Check that rear leveling leg is engaged in anti-tip bracket.

NOTE: Oven must be level for satisfactory baking performance.

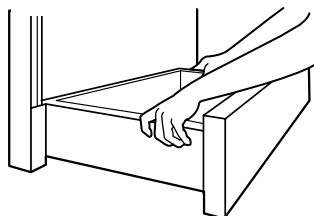
Verify Anti-Tip Bracket Location

! WARNING

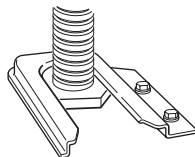
Excessive Weight Hazard

**Use two or more people to move and install range.
Failure to do so can result in back or other injury.**

1. Move range close to cabinet opening.
2. Remove cardboard or hardboard from under range. Carefully move range into final position.
3. Pull drawer open to first stop position. Lift front of drawer to clear white wheels in drawer guides. Remove drawer and set it aside on a protected surface.



4. Making sure the anti-tip bracket is installed:
 - Look for the anti-tip bracket securely attached to floor.
 - Slide range back so rear range foot is under anti-tip bracket.



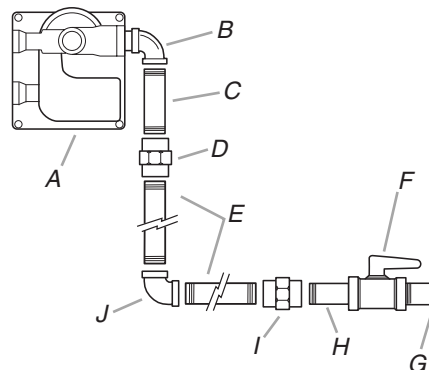
5. If installing the range in a mobile home, you must secure the range to the floor. Any method of securing the range is adequate as long as it conforms to the standards in the "Location Requirements" section.

Make Gas Connection

Typical rigid pipe connection

A combination of pipe fittings must be used to connect the range to the existing gas line. Your connections may be different, according to the supply line type, size and location.

1. Apply pipe-joint compound made for use with LP gas to all pipe thread connections.
2. Using a pipe wrench to tighten, connect the gas supply to the range.



A. Gas pressure regulator

B. 90° elbow (must have 1/2" male pipe thread)

C. Nipple

D. Union

E. Black iron pipe

F. Manual gas shutoff valve

G. 1/2" or 3/4" gas pipe

H. Nipple

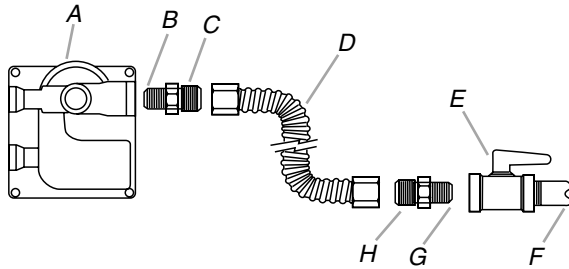
I. Union

J. 90° elbow

Typical flexible connection

1. Apply pipe-joint compound made for use with LP gas to the smaller thread ends of the flexible connector adapters (see B and G in following illustration).
2. Attach one adapter to the gas pressure regulator and the other adapter to the gas shutoff valve. Tighten both adapters.

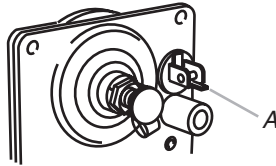
- Use a $\frac{15}{16}$ " combination wrench and channel lock pliers to attach the flexible connector to the adapters. Check that connector is not kinked.



- | | |
|---|--|
| A. Gas pressure regulator | E. Manual gas shutoff valve |
| B. Use pipe-joint compound | F. $\frac{1}{2}$ " or $\frac{3}{4}$ " gas pipe |
| C. Adapter (must have $\frac{1}{2}$ " male pipe thread) | G. Use pipe-joint compound |
| D. Flexible connector | H. Adapter |

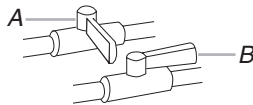
Complete Connection

- Check that the gas pressure regulator shutoff valve is in the "on" position.



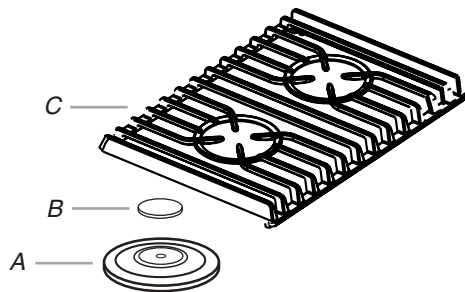
A. Gas pressure regulator shutoff valve

- Open the manual shutoff valve in the gas supply line. The valve is open when the handle is parallel to the gas pipe.



A. Closed valve
B. Open valve

- Test all connections by brushing on an approved noncorrosive leak-detection solution. Bubbles will show a leak. Correct any leak found.
- Remove cooktop burner caps and grates from parts package. Align notches in burner caps with pins in burner base. Burner caps should be level when properly positioned. If burner caps are not properly positioned, surface burners will not light. Place burner grates over burners and caps.



A. Burner base
B. Burner cap
C. Burner grate

⚠ WARNING



Electrical Shock Hazard

Plug into a grounded 3 prong outlet.

Do not remove ground prong.

Do not use an adapter.

Do not use an extension cord.

Failure to follow these instructions can result in death, fire, or electrical shock.

- Plug into a grounded 3 prong outlet.

Electronic Ignition System

Initial lighting and gas flame adjustments

Cooktop and oven burners use electronic igniters in place of standing pilots. When the cooktop control knob is turned to the "LITE" position, the system creates a spark to light the burner. This sparking continues, as long as the control knob is turned to "LITE."

When the oven control is turned to the desired setting, sparking occurs and ignites the gas.

Check Operation of Cooktop Burners

Standard Surface Burners

Push in and turn each control knob to the "LITE" position.

The flame should light within 4 seconds. The first time a burner is lighted it may take longer than 4 seconds to light because of air in the gas line.

TripleTier™ Flame Burner

To start simmer burner:

Push in and turn control knob to "LITE."

The flame should light within 4 seconds. The first time a burner is lighted it may take longer than 4 seconds to light because of air in the gas line.

To start power burner:

Push in and turn control knob to "POWER BURNER HIGH."

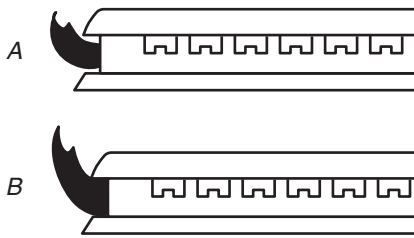
The flame should light within 4 seconds. The first time a burner is lighted it may take longer than 4 seconds to light because of air in the gas line.

If burners do not light properly:

- Turn cooktop control knob to the "OFF" position.
- Check that the range is plugged in and the circuit breaker has not tripped or the fuse blown.
- Check that the gas shutoff valves are set to the "open" position.
- Check that burner caps are properly positioned on burner bases.
- Repeat start-up. If a burner does not light at this point, contact your dealer or authorized service company for assistance.

Adjust Flame Height

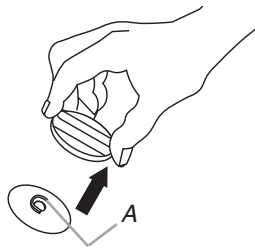
Adjust the height of top burner flames. The cooktop “low” burner flame should be a steady blue flame approximately 1/4" (0.64 cm) high.



A. Low flame
B. High flame

If the “low” flame needs to be adjusted: Standard burner adjustment

The flame can be adjusted using the adjustment screw in the center of the valve stem. The valve stem is located directly underneath the control knob.

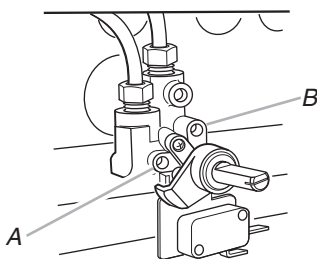


A. Adjustment screw

1. Remove the control knob.
2. Hold the knob stem with a pair of pliers. Use a small flat-blade screwdriver to turn the screw located in the center of the control knob stem until the flame is the proper size.
3. Replace the control knob.
4. Test the flame by turning the control from “LO” to “HI,” checking the flame at each setting.

TripleTier™ Flame adjustment

The flame can be adjusted using the adjustment screws located under the control knob.



A. Power burner adjustment
B. Simmer burner adjustment

1. Remove the control knob.
2. Insert a small flat-blade screwdriver into adjustment locations shown to turn the screw until the flame is the proper size.
3. Replace the control knob.
4. Test the flame by turning the control from “LO” to “HI,” checking the flame at each setting.

Check Operation of Oven Bake Burner

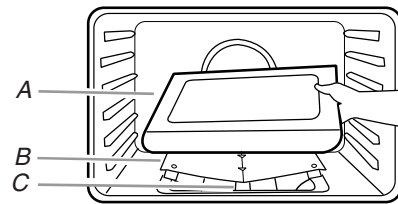
1. Remove the oven rack. Remove the bake burner cover and place it on a protected surface.
2. Push the BAKE pad. Default temperature appears in the temperature display.
3. Press the START pad. Depending on your model, “PrE” and preheat time will appear in the temperature display

OR

“PREHEATING” and “LO” (or actual temperature) will appear in the temperature display.

The oven bake burner should light within 8 seconds, under certain conditions it may take the burner up to 50 to 60 seconds to light.

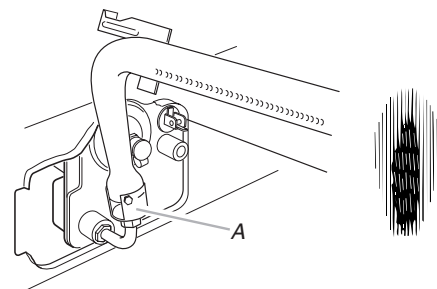
Electronic igniters are used to light the bake and broil burners.



A. Bake burner cover
B. Flame spreader
C. Oven bake burner

Adjust Oven Bake Burner Flame (if needed)

1. On models with a warming drawer, remove access cover plate (1 screw) located at the back of the warming drawer compartment.
2. Check the oven bake burner for proper flame. This flame should have a 1/2" (1.3 cm) long inner cone of bluish-green, with an outer mantle of dark blue, and should be clean and soft in character. No yellow tips, blowing or lifting of flame should occur.
3. If the oven bake flame needs to be adjusted, locate the air shutter near the center rear of the range. Loosen the locking screw and rotate the air shutter until the proper flame appears. Tighten locking screw.



A. Air shutter

4. Push CANCEL/OFF pad.
5. Reinstall oven bake burner access plate.

Check Operation of Oven Broil Burner

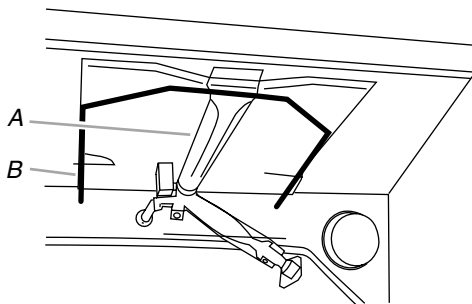
1. Close the oven door.
2. Press the BROIL pad. Depending on your model, "HI" will appear in the temperature display

OR

"MAXI BROIL" and broil temperature will appear in the temperature display.

3. Press the START pad. On some models, "HEAT" and "ON" indicators will light.

The oven burner should light within 8 seconds, under certain conditions it may take the burner up to 50 to 60 seconds to light. On some models, an electric halo element also turns on.

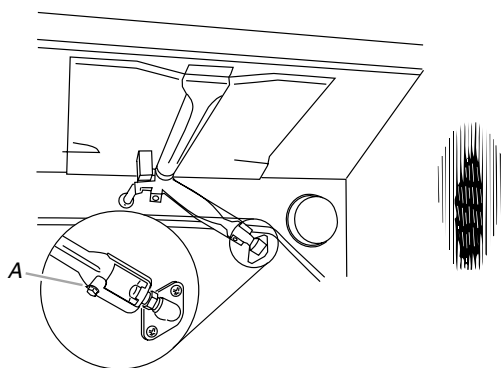


A. Gas burner
B. Electric halo element

NOTE: Oven door must be shut for broil burner to operate.

Adjust Oven Broil Burner Flame (if needed)

Look through oven window to check broil burner for proper flame. This flame should have a ½" (1.3 cm) long inner cone of bluish-green, with an outer mantle of dark blue, and should be clean and soft in character. No yellow tips, blowing or lifting of flame should occur.



A. Lock screw

If flame needs to be adjusted:

1. Loosen the lock screw on the air shutter located at the rear of the broil burner.
2. Adjust the air shutter as need.
3. Tighten lock screw.

Replace Oven Racks & Storage or Warming Drawer

Replace oven racks in oven cavity. Insert storage drawer or warming drawer into slide rails on sides of drawer opening. Lift front of drawer slightly and push firmly to close drawer.

Complete Installation

1. Check to be sure all parts are now installed. If there is an extra part, go back through the steps to see which step was skipped.
2. Check to be sure you have all of your tools.
3. Dispose of/recycle all packaging materials.
4. Check to be sure the range is level. See "Level Range."
5. Use a mild solution of liquid household cleaner and warm water to remove waxy residue caused by protective shipping material. Dry thoroughly with a soft cloth. For more information, see the "Range Care" section of the Use and Care Guide.
6. Read "Range Use" in the range Use and Care Guide.
7. Plug into a grounded 3 prong outlet.
8. Turn on surface burners and oven. See your Use and Care Guide for specific instruction on range operation.

If range does not operate, check the following:

- Household fuse is intact and tight; or circuit breaker has not tripped.
 - Range is plugged into a grounded 3 prong outlet.
 - Electrical supply is connected.
 - See "Troubleshooting" in your Use and Care Guide.
9. When the range has been on for 5 minutes, feel for heat. If you do not feel heat, turn the range off and check to see that the gas supply line shutoff valve is open.
 - If the gas supply line shutoff valve is closed, open it, then repeat the 5-minute test as outlined above.
 - If the gas supply line shutoff valve is open, contact a qualified technician.

GAS CONVERSIONS

⚠ WARNING



Explosion Hazard

Use a new AGA or CSA approved gas supply line.

Securely tighten all gas connections.

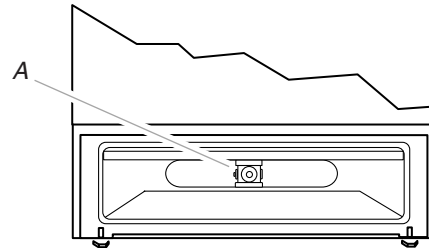
If connected to LP, have a qualified person make sure gas pressure does not exceed 14" (36 cm) water column.

Examples of a qualified person include:
licensed heating personnel,
authorized gas company personnel, and
authorized service personnel.

Failure to do so can result in death, explosion, or fire.

- Remove storage drawer or warming drawer. Locate gas pressure regulator at rear of storage or warming drawer compartment.

NOTE: On models with a warming drawer, an access cover must be removed from the gas pressure regulator.



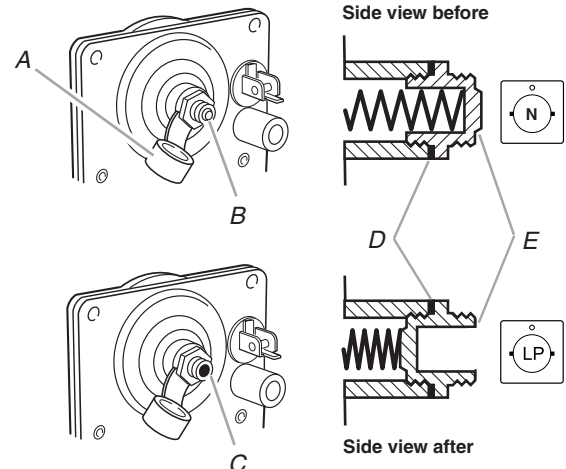
A. Gas pressure regulator

IMPORTANT: Do not remove the gas pressure regulator.

Gas pressure regulator

- Remove plastic cover from gas pressure regulator cap.
- Turn gas pressure regulator cap (marked "N" on front of gas pressure regulator) counterclockwise with a wrench to remove.

NOTE: Do not remove the spring beneath the cap.



A. Plastic cover

B. Gas pressure regulator cap with solid end facing out

C. Gas pressure regulator cap with hollow end facing out

D. Washer

E. Gas pressure regulator cap

LP Gas Conversion

⚠ WARNING



Tip Over Hazard

A child or adult can tip the range and be killed.

Connect anti-tip bracket to rear range foot.

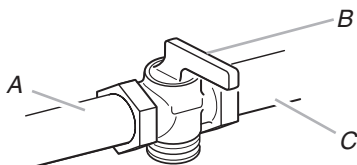
Reconnect the anti-tip bracket, if the range is moved.

Failure to follow these instructions can result in death or serious burns to children and adults.

- Turn the gas pressure regulator cap over and reinstall on regulator so that the hollow end faces out and letters "LP" are visible.
- Replace plastic cover over gas pressure regulator cap.

To Convert Gas Pressure Regulator

- Ensure that the manual shutoff valve is in the closed position and the power supply cord is unplugged.



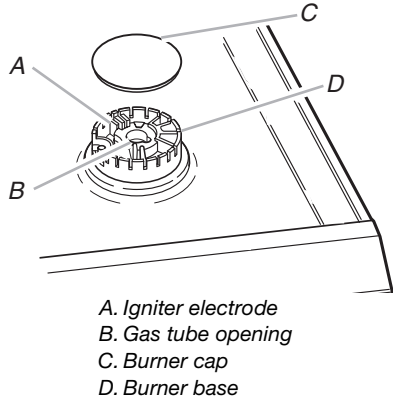
A. To range

B. Manual shutoff valve "closed" position

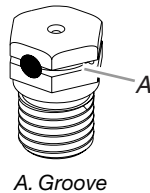
C. Gas supply line

To Convert Standard Surface Burners

1. Remove burner cap.
2. Using a T20 Torx screwdriver, remove the burner base.
3. Apply masking tape to the end of a 7 mm nut driver to help hold the gas orifice spud in the nut driver while changing it. Press nut driver down onto the gas orifice spud and remove by turning it counterclockwise and lifting out, set gas orifice spud aside.



4. Gas orifice spuds are stamped with a number, marked with 1 color dot, and have a groove in the hex area. Replace the Natural gas orifice spud with the correct LP gas orifice spud.



Refer to the following chart for correct LP gas orifice spud placement.

LP Gas Orifice Spud Chart for Standard Surface Burners

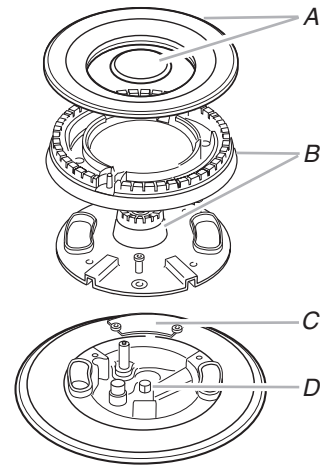
Burner Location	Burner Rating	Color	Size
Right front	5,000 BTU	Red	0.70 mm
Left front	13,000 BTU	Green	1.10 mm
Right rear	10,000 BTU	Blue	0.95 mm
Left rear	5,000 BTU	Red	0.70 mm

5. Place Natural gas orifice spuds in plastic parts bag for future use and keep with literature package.
6. Replace burner cap.
7. Repeat steps 1-5 for the remaining burners, except for the TripleTier™ Flame burner (on some models). See “To Convert TripleTier™ Flame Burners” section.

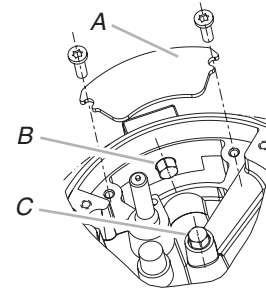
To Convert TripleTier™ Flame Burners (on some models)

1. Remove burner cap.
2. Remove the burner head using a size T20 Torx screwdriver.

3. Remove the plate on the external gas orifice spud.



IMPORTANT: The TripleTier™ Flame burner has 2 gas orifice spuds. Do not forget to change the external gas orifice spud located under the plate.



4. Apply masking tape to the end of a 7 mm nut driver to help hold the internal gas orifice spud in the nut driver while changing it. Press nut driver down onto the internal gas orifice spud and remove by turning it counterclockwise and lifting out. Set internal gas orifice spud aside.
5. Use a 7 mm combination wrench to remove the external gas orifice spud. Turn counterclockwise to remove. Set external gas orifice spud aside.
6. Replace the Natural gas orifice spud with the correct LP gas orifice spud. Refer to the following chart for correct LP gas orifice spud placement.

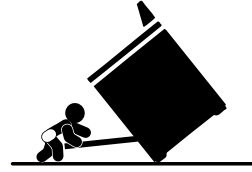
LP Gas Orifice Spud Chart for TripleTier™ Flame Burners

Burner Location	Burner Rating	Color	Size
Left front (external TripleTier™ burner)	11,800 BTU	Brown	1.00 mm
Left front (internal TripleTier™ burner)	2,200 BTU	Orange	0.42 mm

7. Replace burner plate, head and cap.
8. Place Natural gas orifice spuds in plastic parts bag for future use and keep with literature package.

Natural Gas Conversion

⚠ WARNING



Tip Over Hazard

A child or adult can tip the range and be killed.

Connect anti-tip bracket to rear range foot.

Reconnect the anti-tip bracket, if the range is moved.

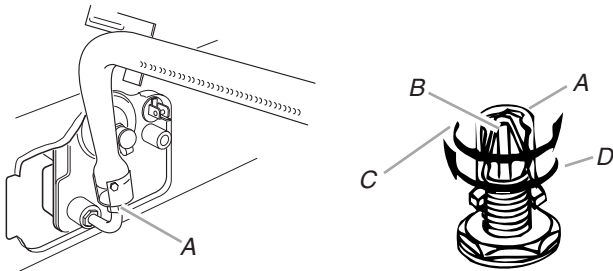
Failure to follow these instructions can result in death or serious burns to children and adults.

To Convert Oven Bake Burner

1. Remove oven racks.
2. Use a ½" combination wrench to turn the orifice hood down snug onto pin (about 2 to 2½ turns).

IMPORTANT: Do not overtighten.

The oven bake burner flame cannot be properly adjusted if this conversion is not made. See "Adjust Oven Bake Burner Flame" section.



A. Orifice hood

B. Pin

C. Natural gas: increase gas - increase flame size
(preset at factory for Natural gas)

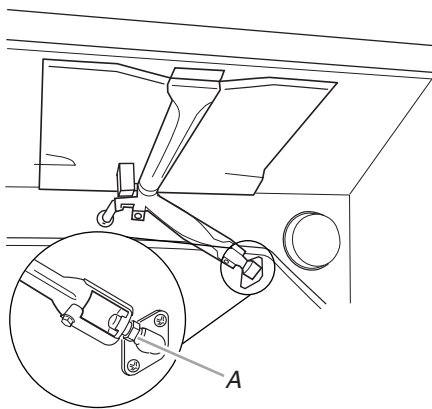
D. LP gas: decrease gas - decrease flame size

To Convert Oven Broil Burner

1. Use a ½" combination wrench to turn the orifice hood down snug onto the pin (about 2 to 2½ turns).

IMPORTANT: Do not overtighten.

The oven broil burner flame cannot be properly adjusted if this conversion is not made. See "Adjust Oven Broil Burner Flame" section.



A. Orifice hood

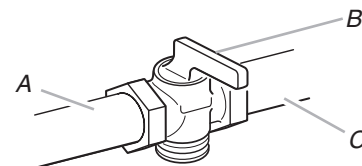
2. Reinstall the storage or warming drawer.
3. Complete installation. See "Make Gas Connection" and "Electronic Ignition System" sections.

Checking for proper cooktop burner flames, and oven burner flames is very important. The small inner cone should have a very distinct blue flame ¼" to ½" long. The outer cone is not as distinct as the inner cone. LP gas flames have a slightly yellow tip.

IMPORTANT: You may have to adjust the "LO" setting for each cooktop burner.

To Convert Gas Pressure Regulator

1. Ensure that the main shutoff valve is in the closed position and the power supply cord is unplugged.



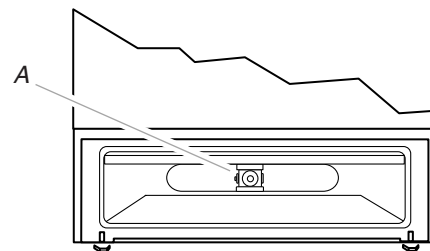
A. To range

B. Manual shutoff valve "closed" position

C. Gas supply line

2. Remove storage drawer or warming drawer. Locate gas pressure regulator at rear of storage or warming drawer compartment.

NOTE: On models with a warming drawer, an access cover must be removed from the gas pressure regulator.



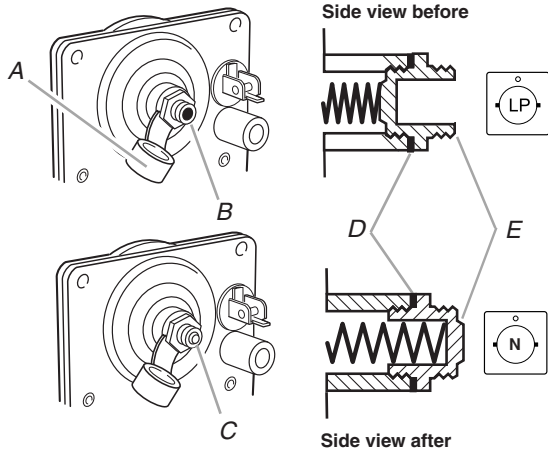
A. Gas pressure regulator

IMPORTANT: Do not remove the gas pressure regulator.

Gas pressure regulator

- Remove plastic cover from gas pressure regulator cap.
- Turn gas pressure regulator cap (marked "LP" on front of gas pressure regulator) counterclockwise with a wrench to remove.

NOTE: Do not remove the spring beneath the cap.

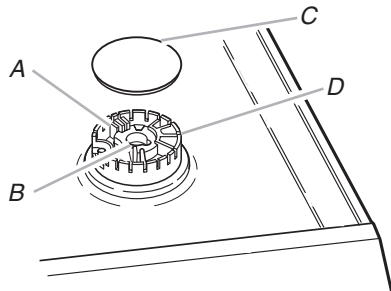


- A. Plastic cover
- B. Gas pressure regulator cap with hollow end facing out
- C. Gas pressure regulator cap with solid end facing out
- D. Washer
- E. Gas pressure regulator cap

- Turn the gas pressure regulator cap over and reinstall on regulator so that the solid end faces out and letter "N" is visible.
- Replace plastic cover over gas pressure regulator cap.

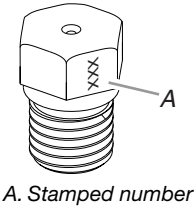
To Convert Standard Surface Burners

- Remove burner cap.
- Using a T20 Torx screwdriver, remove the burner base.
- Apply masking tape to the end of a 7 mm nut driver to help hold the gas orifice spud in the nut driver while changing it. Press nut driver down onto the gas orifice spud and remove by turning it counterclockwise and lifting out, set gas orifice spud aside.



- A. Igniter electrode
- B. Gas tube opening
- C. Burner cap
- D. Burner base

- Gas orifice spuds are stamped with a number on the side. Replace the LP gas orifice spud with the correct Natural gas orifice spud.



A. Stamped number

Refer to the following chart for the correct Natural gas orifice spud placement.

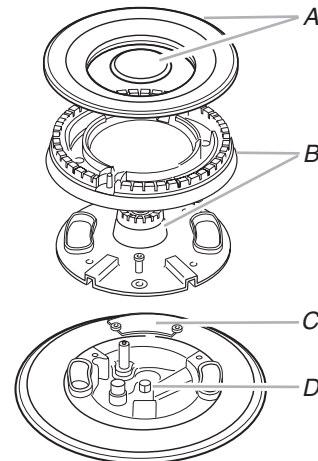
Natural Gas Orifice Spud Chart for Standard Surface Burners

Burner Location	Burner Rating	Size
Right front	6,000 BTU	1.10 mm
Left front	14,000 BTU	1.70 mm
Right rear	12,500 BTU	1.61 mm
Left rear	6,000 BTU	1.10 mm

- Place LP gas orifice spuds in plastic parts bag for future use and keep with literature package.
- Replace burner cap.
- Repeat steps 1-5 for the remaining burners, except for the TripleTier™ Flame burner (on some models). See "To Convert TripleTier™ Flame Burners" section.

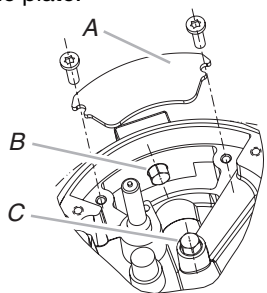
To Convert TripleTier™ Flame Burner (on some models)

- Remove burner cap.
- Remove the burner head using a size T20 Torx screwdriver.
- Remove the plate on the external gas orifice spud.



- A. Burner caps
- B. Burner heads
- C. External gas orifice spud access plate
- D. Internal gas orifice spud

IMPORTANT: The TripleTier™ Flame burner has 2 gas orifice spuds. Do not forget to change the external gas orifice spud located under the plate.



A. Plate
B. External gas orifice spud
C. Internal gas orifice spud

- Apply masking tape to the end of a 7 mm nut driver to help hold the internal gas orifice spud in the nut driver while changing it. Press nut driver down onto the internal gas orifice spud and remove by turning it counterclockwise and lifting out, set internal gas orifice spud aside.
- Use a 7 mm combination wrench to remove the external orifice spud. Turn counterclockwise remove, set external gas orifice spud aside.
- Replace the LP gas orifice spud with the correct Natural gas orifice spud. Refer to the following chart for correct Natural gas orifice spud placement.

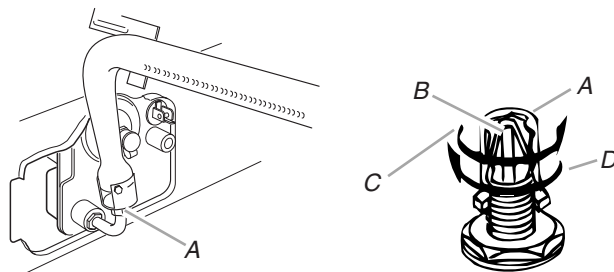
Natural Gas Orifice Spud Chart for TripleTier™ Flame Burners

Burner Location	Burner Rating	Size
Left front (external TripleTier™ burner)	12,200 BTU	1.70 mm
Left front (internal TripleTier™ burner)	2,800 BTU	0.70 mm

- Replace burner plate, head and cap.
- Place LP gas orifice spuds in plastic parts bag for future use and keep with literature package.

To Convert Oven Bake Burner

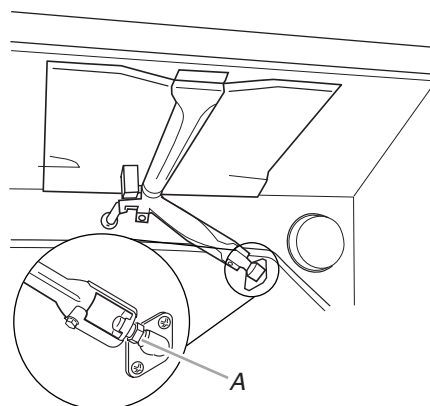
- Remove oven racks.
- Use a ½" combination wrench to loosen the orifice hood away from the pin (about 2 to 2½ turns). The oven bake burner flame cannot be properly adjusted if this conversion is not made. See "Adjust Oven Bake Burner Flame" section.



A. Orifice hood
B. Pin
C. Natural gas: increase gas - increase flame size (preset at factory for Natural gas)
D. LP gas: decrease gas - decrease flame size

To Convert Oven Broil Burner

- Use a ½" combination wrench to loosen the orifice hood away from the pin (about 2 to 2½ turns). The oven broil burner flame cannot be properly adjusted if this conversion is not made. See "Adjust Oven Broil Burner Flame" section.



A. Orifice hood

- Reinstall the storage or warming drawer.
- Complete installation. See "Make Gas Connection" and "Electronic Ignition System" sections.

Checking for proper cooktop burner and oven bake burner flame is very important. Natural gas flames do not have yellow tips.

IMPORTANT: You may have to adjust "LO" setting for each cooktop burner.

Notes

SÉCURITÉ DE LA CUISINIÈRE

Votre sécurité et celle des autres est très importante.

Nous donnons de nombreux messages de sécurité importants dans ce manuel et sur votre appareil ménager. Assurez-vous de toujours lire tous les messages de sécurité et de vous y conformer.



Voici le symbole d'alerte de sécurité.

Ce symbole d'alerte de sécurité vous signale les dangers potentiels de décès et de blessures graves à vous et à d'autres.

Tous les messages de sécurité suivront le symbole d'alerte de sécurité et le mot "DANGER" ou "AVERTISSEMENT". Ces mots signifient :

⚠ DANGER

Risque possible de décès ou de blessure grave si vous ne suivez pas immédiatement les instructions.

⚠ AVERTISSEMENT

Risque possible de décès ou de blessure grave si vous ne suivez pas les instructions.

Tous les messages de sécurité vous diront quel est le danger potentiel et vous disent comment réduire le risque de blessure et ce qui peut se produire en cas de non-respect des instructions.

AVERTISSEMENT : Pour votre sécurité, les renseignements dans ce manuel doivent être observés pour réduire au minimum les risques d'incendie ou d'explosion ou pour éviter des dommages au produit, des blessures ou un décès.

- Ne pas entreposer ou utiliser de l'essence ou d'autres vapeurs ou liquides inflammables à proximité de cet appareil ou de tout autre appareil électroménager.
- QUE FAIRE DANS LE CAS D'UNE ODEUR DE GAZ :
 - Ne pas tenter d'allumer un appareil.
 - Ne pas toucher à un commutateur électrique; ne pas utiliser le téléphone se trouvant sur les lieux.
 - Évacuer tous les gens de la pièce, de l'édifice ou du quartier.
 - Appeler immédiatement le fournisseur de gaz d'un téléphone voisin. Suivre ses instructions.
 - À défaut de joindre votre fournisseur de gaz, appeler les pompiers.
- L'installation et l'entretien doivent être effectués par un installateur qualifié, une agence de service ou le fournisseur de gaz.

⚠ AVERTISSEMENT

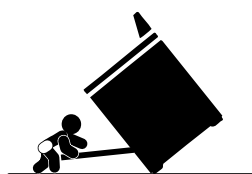
Risque de basculement

Un enfant ou une personne adulte peut faire basculer la cuisinière ce qui peut causer un décès.

Joindre la bride antibasculement au pied arrière de la cuisinière.

Joindre de nouveau la bride antibasculement si la cuisinière est déplacée.

Le non-respect de ces instructions peut causer un décès ou des brûlures graves aux enfants et aux adultes.



EXIGENCES D'INSTALLATION

Outillage et pièces

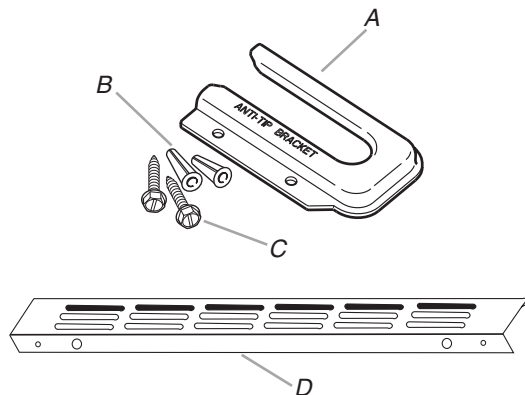
Avant d'entreprendre l'installation, rassembler tous les outils et le matériel nécessaires. Lire et respecter les instructions d'installation fournies avec chacun des outils de cette liste.

Outillage nécessaire

- Mètre-ruban
 - Tournevis à lame plate
 - Tournevis Phillips
 - Niveau
 - Perceuse manuelle ou électrique
 - Marteau
 - Pince multiprise
 - Clé à tuyauterie
 - Clé mixte 1⁵/₁₆"
 - Clé à cliquet 3/8"
 - Tourne-écrou 3/8"
 - Foret de 1/8" (3,2 mm) (pour plancher de bois)
 - Crayon ou marqueur
 - Ruban de masquage
 - Composé d'étanchéité des raccords filetés - résistant au propane
 - Foret à maçonnerie de 3/16" (4,8 mm) avec pastilles de carbure, pour béton/céramique
 - Solution non corrosive de détection des fuites
- Pour la conversion pour l'alimentation au gaz propane/ gaz naturel**
- Clé mixte 1/2"
 - Clé mixte 7 mm
 - Tourne-écrou 7 mm
 - Tournevis Torx T20

Pièces fournies

Vérifier la présence de toutes les pièces.



- A. Bride antibasculement
- B. Chevilles de plastique (2)
- C. Vis n° 10 x 1/2" (2)
- D. Raccord arrière pour conduit d'évacuation (modèles encastrables)

- Chaque bride doit être solidement fixée au sous-plancher. L'épaisseur du matériau du plancher peut nécessiter l'emploi de vis plus longues pour l'ancrage dans le sous-plancher. Obtenir les vis plus longues nécessaires dans un magasin de quincaillerie local.

Pièces nécessaires

Consulter les codes locaux en vigueur et le fournisseur de gaz. Déterminer les caractéristiques des sources disponibles d'électricité et gaz. Voir "Spécifications électriques" et "Spécifications de l'alimentation en gaz".

Emplacement d'installation

IMPORTANT : Respecter les dispositions de tous les codes et règlements en vigueur. Ne pas obstruer le flux de combustion et la ventilation.

- C'est à l'installateur qu'incombe la responsabilité de respecter les distances de séparation exigées, spécifiées sur la plaque signalétique de l'appareil. La plaque signalétique de modèle et de série est située sur le cadre du four, derrière le panneau du tiroir de rangement.
- La cuisinière doit être placée de manière à permettre une utilisation pratique dans la cuisine.
- Dans le cas d'une cuisinière encastrée, l'enceinte doit recouvrir complètement les côtés et l'arrière de la cuisinière.
- Afin de minimiser le risque de brûlures ou d'incendie au-dessus de la table de cuisson, on doit éviter d'installer un placard mural. S'il est nécessaire d'installer un placard mural, l'installation d'une hotte de cuisine faisant saillie d'au moins 5" (12,7 cm) au-delà de la façade du placard permettra de minimiser le risque.
- Toutes les ouvertures dans le mur ou le plancher de l'emplacement d'installation de la cuisinière doivent être scellées.
- Ne pas réaliser un scellement entre la cuisinière et les placards latéraux.
- Respecter les dimensions indiquées pour la cavité d'installation entre les placards. Ces dimensions tiennent compte des valeurs minimales des dégagements de séparation.
- La bride antibasculement doit être fixée sur le plancher. Pour l'installation de la bride antibasculement fournie avec la cuisinière, voir la section "Installation de la bride antibasculement".
- Une source d'électricité avec liaison à la terre est nécessaire. Voir la section "Spécifications électriques". Une source de gaz adéquate doit être disponible. Voir la section "Spécifications de l'alimentation en gaz".
- Contacter un installateur de revêtement de sol qualifié, qui pourra déterminer si le revêtement de sol peut résister à une température d'au moins 200°F (93°C).
- Dans le cas de l'installation de la cuisinière par dessus un tapis, placer sous la cuisinière une plaque d'appui isolée, ou une plaque de contreplaqué de 1/4" (0,64 cm).

IMPORTANT : Les matériaux de certains placards et certains matériaux de construction ne sont pas conçus pour résister à la chaleur générée par le four durant la cuisson au four ou l'auto-nettoyage. Consulter le constructeur de la maison ou le fabricant des placards pour déterminer si les matériaux utilisés pourraient subir un changement de couleur, une déstratification ou d'autres dommages.

Résidence mobile - Spécifications additionnelles à respecter lors de l'installation

L'installation de cette cuisinière doit être conforme aux dispositions de la norme Manufactured Home Construction and Safety Standard, Title 24 CFR, Part 3280 (anciennement Federal Standard for Mobile Home Construction and Safety, Title 24, HUD Part 280). Lorsque cette norme n'est pas applicable, l'installation doit satisfaire aux critères de la norme Standard for Manufactured Home Installations, ANSI A225.1/NFPA 501A ou les dispositions des codes locaux.

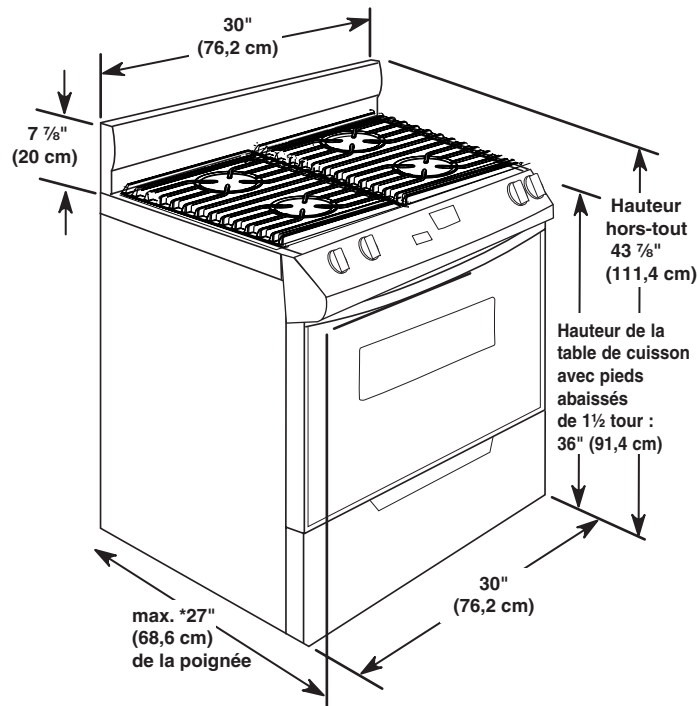
Au Canada, l'installation de cette cuisinière doit satisfaire aux stipulations de la version la plus récente de la norme CAN/CSA-A240, ou des codes locaux en vigueur.

Autres critères à respecter pour une installation en résidence mobile :

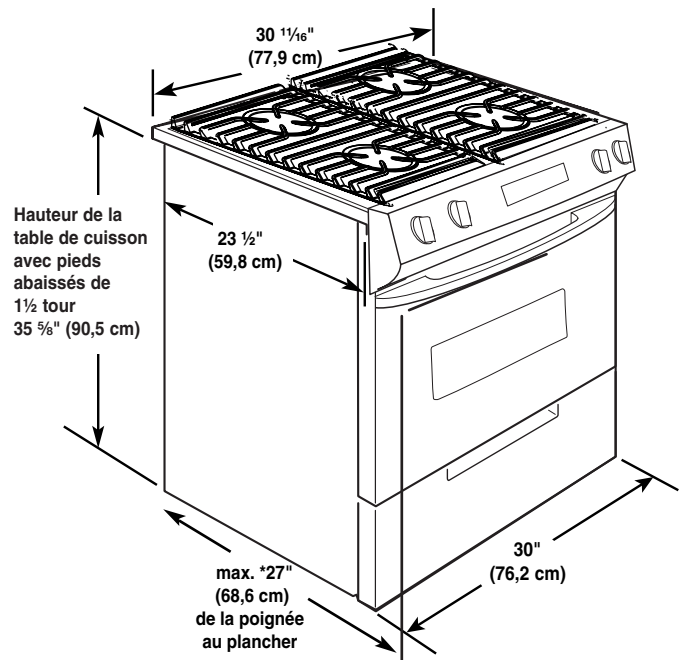
- Dans le cas de l'installation de cette cuisinière dans une résidence mobile, la cuisinière doit être fixée au plancher durant tout déplacement du véhicule. Toute méthode de fixation de la cuisinière est adéquate dans la mesure où elle satisfait aux critères des normes mentionnées ci-dessus.

Dimensions de l'appareil

Cuisinière autonome



Cuisinière encastrable

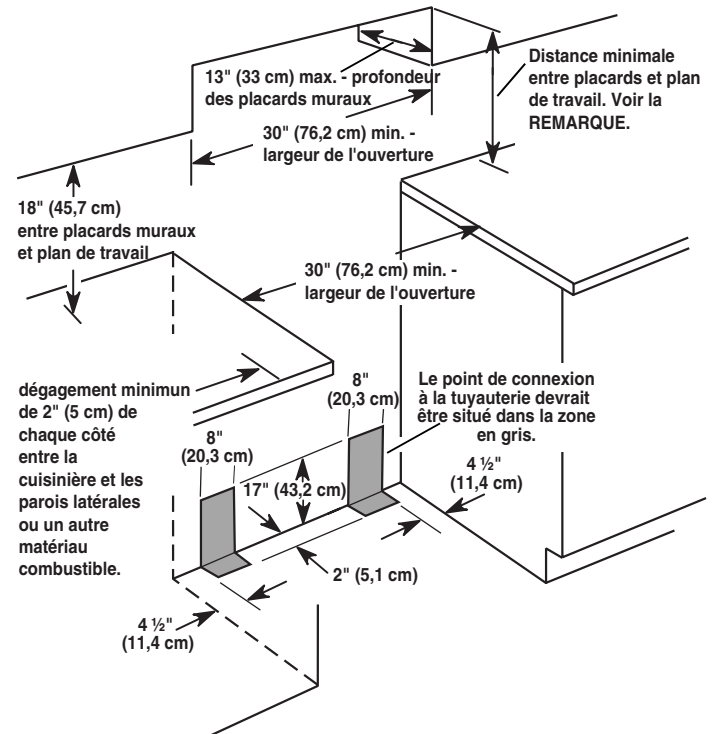


*Dans le cas d'une installation entre des placards de 24" (61 cm) avec plan de travail de 25" (63,5 cm), l'avant de la porte du four sera en saillie de 1 7/8" (4,8 cm) au-delà de la façade des placards de 24" (61 cm).

Dégagements de séparation

Les dimensions de l'espace d'installation entre les placards sont valides pour l'installation entre des placards de 24" (61 cm) avec plan de travail de 25" (64 cm) à hauteur de 36" (91,4 cm).

Cuisinière autonome et cuisinière encastrable



REMARQUE : Distance de séparation de 24" (61 cm) ou plus lorsque le fond d'un placard de bois ou de métal est protégé par une planche ignifugée d'au moins ¼" (0,64 cm) recouverte d'une feuille métallique d'épaisseur égale ou supérieure à : acier calibre 28 MSG, acier inoxydable 0,015" (0,4 mm), aluminium 0,024" (0,6 mm), ou cuivre 0,020" (0,5 mm).

Distance de séparation de 30" (76,2 cm) ou plus entre le dessus de la table de cuisson et le fond d'un placard de bois ou de métal non protégé.

Spécifications électriques

AVERTISSEMENT



Risque de choc électrique

Brancher sur une prise à 3 alvéoles reliée à la terre.

Ne pas enlever la broche de liaison à la terre.

Ne pas utiliser un adaptateur.

Ne pas utiliser un câble de rallonge.

Le non-respect de ces instructions peut causer un décès, un incendie ou un choc électrique.

IMPORTANT : La sècheuse doit être électriquement reliée à la terre conformément aux prescriptions des codes et règlements locaux; en l'absence de code local, respecter les prescriptions du code national en vigueur : National Electrical Code, ANSI/NFPA 70, ou Code canadien de l'électricité, CSA C22.1

Si un conducteur distinct de liaison à la terre est utilisé (lorsque le code en vigueur le permet), on recommande qu'un électricien qualifié vérifie la qualité de la liaison à la terre.

On peut obtenir un exemplaire du code national en vigueur à l'adresse suivante :

National Fire Protection Association
One Batterymarch Park, Quincy, MA 02269.

CSA International
8501 East Pleasant Valley Road
Cleveland, Ohio 44131-5575

- L'appareil doit être alimenté uniquement par un circuit 120 volts, 60 Hz, 15 A protégé par fusibles. On recommande l'emploi de fusibles temporisés ou disjoncteurs. On recommande que l'appareil soit alimenté par un circuit indépendant.
- Les dispositifs d'allumage électronique peuvent fonctionner correctement dans une plage de tension d'alimentation étendue, mais il est nécessaire de respecter la polarité stipulée et d'établir une liaison à la terre adéquate. En plus de vérifier que la prise de courant fournit une tension de 120 V et qu'elle est correctement reliée à la terre, un électricien qualifié doit vérifier que la prise de courant est correctement câblée (polarité correcte).
- On trouve un schéma de câblage sous la cuisinière, ou au-dessous du tiroir de rangement, dans un sachet de plastique transparent.

REMARQUE : Le châssis métallique de la cuisinière doit être relié à la terre pour que le tableau de commande puisse fonctionner correctement. Si le châssis métallique de la cuisinière n'est pas relié à la terre, aucune touche du tableau de commande ne peut fonctionner. En cas de doute quant à la qualité de la liaison à la terre du châssis de la cuisinière, consulter un électricien qualifié.

Spécifications de l'alimentation en gaz

AVERTISSEMENT



Risque d'explosion

Utiliser une canalisation neuve d'arrivée de gaz approuvée par AGA ou CSA International.

Bien serrer chaque organe de connexion de la canalisation de gaz.

En cas de connexion au gaz propane, demander à une personne qualifiée de s'assurer que la pression de gaz ne dépasse pas 36 cm (14 po) de la colonne d'eau.

Par personne qualifiée, on comprend :

le personnel autorisé de chauffage, le personnel autorisé d'une compagnie de gaz, et le personnel d'entretien autorisé.

Le non-respect de ces instructions peut causer un décès, une explosion ou un incendie.

Observer toutes les prescriptions des codes et règlements en vigueur.

IMPORTANT : L'installation doit satisfaire aux critères de tous les codes et règlements locaux. En l'absence de code local, l'installation doit satisfaire aux prescriptions de la plus récente édition du code national en vigueur : National Fuel Gas Code ANSI Z223.1 (American National Standard), ou CAN/CGA B149.

Type de gaz

Gaz naturel :

La conception de cette cuisinière a été homologuée par American Gas Association (A.G.A.) pour l'alimentation au gaz naturel, ou pour l'alimentation au propane après conversion adéquate.

- Cette cuisinière a été configurée à l'usine pour l'alimentation au gaz naturel. Voir la section "Conversion pour changement de gaz". La plaque signalétique des numéros de modèle et de série située sur le châssis de l'appareil (derrière le tiroir de rangement) indique les types de gaz utilisables. Si le type de gaz disponible n'est pas mentionné sur la plaque signalétique, consulter le fournisseur de gaz local.

Conversion pour l'alimentation au propane :

L'opération de conversion doit être exécutée par un technicien qualifié.

Consulter le fournisseur de gaz avant toute conversion de l'appareil pour l'utilisation d'un type de gaz qui n'est pas mentionné sur la plaque signalétique. Voir la section "Conversion pour changement de gaz".

Canalisation de gaz

- Installer une canalisation de gaz rigide de $\frac{3}{4}$ " jusqu'à l'emplacement d'installation de la cuisinière. L'emploi d'une canalisation de plus petit diamètre ou plus longue peut susciter une déficience du débit d'alimentation. On doit utiliser un composé d'étanchéité des tuyauteries résistant à l'action du gaz de pétrole liquéfié. Ne pas utiliser de ruban TEFLON®. Pour l'alimentation au propane, le diamètre des canalisations doit être de $\frac{1}{2}$ " ou plus. Usuellement le fournisseur de gaz propane détermine les matériaux à utiliser et le diamètre approprié.

Raccord métallique flexible :

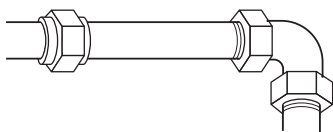
- Si le code local le permet, on peut utiliser pour raccorder la cuisinière à la canalisation de gaz un raccord métallique flexible neuf (homologation A.G.A./C.S.A.) de 4 - 5 pi (122 - 152,4 cm) de longueur, de diamètre interne de $\frac{1}{2}$ " (1,3 cm) ou $\frac{3}{4}$ " (1,9 cm).



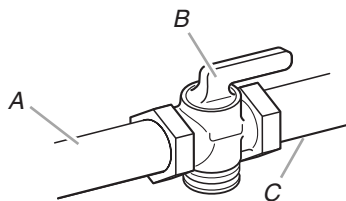
- Un raccord avec filetage mâle de $\frac{1}{2}$ " (1,3 cm) est nécessaire pour la connexion sur le raccord à filetage femelle à l'entrée du détendeur de l'appareil.
- Veiller à ne pas déformer/écraser/endommager le tube métallique flexible lors d'un déplacement de la cuisinière.

Raccordement par un ensemble rigide :

On doit utiliser une combinaison de raccords pour réaliser un raccordement rigide entre la cuisinière et la canalisation de gaz. Le tuyau rigide doit se trouver au même niveau que le raccord de connexion de la cuisinière. On doit veiller à ne soumettre les sections de canalisation d'alimentation à aucun effort de traction ou flexion, pour que la cuisinière soit d'aplomb et correctement alignée.



- Robinet d'arrêt nécessaire : La canalisation d'alimentation doit comporter un robinet d'arrêt manuel. Le robinet d'arrêt manuel doit être séparé de la cuisinière, mais doit se trouver dans la même pièce en un endroit où il sera facilement accessible pour les manoeuvres d'ouverture/fermeture. Ne pas entraver l'accès au robinet d'arrêt manuel. Le robinet d'arrêt manuel est prévu pour ouvrir ou fermer l'alimentation en gaz de la cuisinière.



A. Canalisation de gaz
B. Robinet d'arrêt manuel - position d'ouverture
C. Vers la cuisinière

Détendeur de gaz

Le détendeur fourni avec cette cuisinière doit être utilisé. La pression d'alimentation du détendeur doit être comme suit :

Gaz naturel :

Pression minimum : 6" (colonne d'eau)

Pression maximum : 14" (colonne d'eau)

Gaz propane :

Pression minimum : 11" (colonne d'eau)

Pression maximum : 14" (colonne d'eau)

En cas d'incertitude quant à la pression d'alimentation à établir, contacter le fournisseur de gaz local.

Débit thermique des brûleurs

Les débits thermiques indiqués sur la plaque signalétique correspondent à une altitude d'utilisation inférieure à 2000 pi (609,6 m).

Lorsque l'appareil est utilisé à une altitude supérieure à 2000 pi (609,6 m), on doit réduire le débit thermique indiqué de 4 % pour chaque tranche de 1000 pi (304,8 m) au-dessus du niveau de la mer (pas applicable au Canada).

Tests de pressurisation de la canalisation de gaz

Pressurisation à une pression supérieure à $\frac{1}{2}$ lb/po² (14" - colonne d'eau)

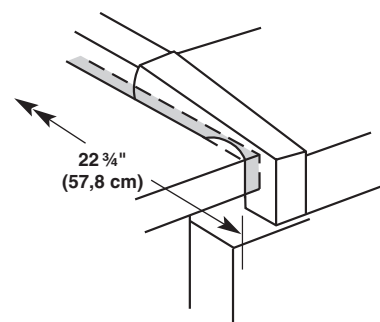
Pour tout test de pressurisation du système à une pression supérieure à $\frac{1}{2}$ lb/po² (3,5 kPa), on doit déconnecter la cuisinière et son robinet d'arrêt manuel de la canalisation à pressuriser.

Pressurisation à une pression relative de $\frac{1}{2}$ lb/po² (14" - colonne d'eau) ou moins

Lors de tout test de pressurisation du système à une pression égale ou inférieure à $\frac{1}{2}$ lb/po² (3,5 kPa), on doit isoler la cuisinière de la canalisation pressurisée, par fermeture du robinet d'arrêt manuel.

Préparation du plan de travail (pour cuisinières encastrables uniquement)

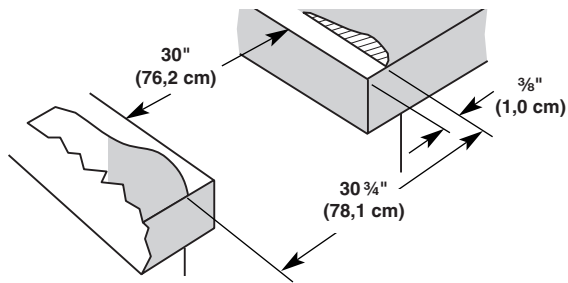
Les bords latéraux de la table de cuisson seront placés en chevauchement sur les extrémités du plan de travail.



Si la largeur de l'espace disponible est de 30" (76,2 cm), et si la rive avant du plan de travail est plane et à l'équerre, aucune préparation ne sera nécessaire.

Si le bord avant du plan de travail a été réalisé par moulage, il sera nécessaire de réaliser une surface plane de $\frac{3}{8}$ " (1 cm) dans chaque angle avant de l'ouverture.

Il peut être nécessaire de tailler le carrelage du plan de travail sur $\frac{3}{8}$ " (1 cm) sur chaque angle à l'avant et/ou d'aplanir un bord arrondi.



Si la largeur de l'espace disponible dans le plan de travail est de plus de 30" (76,2 cm), ajuster la dimension de $\frac{3}{8}$ " (1 cm).

Il faut que le plan de travail soit horizontal. Placer un niveau sur le plan de travail; contrôler l'horizontalité transversalement, puis dans le sens avant/arrière. Si le plan de travail n'est pas horizontal, la cuisinière ne sera pas d'aplomb. Il faut que l'appareil soit d'aplomb pour que le four produise une performance satisfaisante.

INSTRUCTIONS D'INSTALLATION

Déballage de la cuisinière

⚠ AVERTISSEMENT

Risque du poids excessif

Utiliser deux ou plus de personnes pour déplacer et installer la cuisinière.

Le non-respect de cette instruction peut causer une blessure au dos ou d'autre blessure.

1. Enlever tous les matériaux d'emballage (y compris rubans adhésifs et films de plastique) de la cuisinière. Conserver le fond de la boîte de carton sous la cuisinière. Retirer les grilles du four et le sachet de pièces qu'on trouve à l'intérieur du four.
2. Prendre les 4 cornières de carton de l'emballage. Empiler les cornières 2 par 2. Placer les cornières de carton par terre derrière la cuisinière dans le sens de la longueur afin de soutenir la cuisinière lorsqu'elle est placée sur le dos. À deux personnes ou plus, saisir fermement la cuisinière et la faire basculer vers l'arrière pour la placer doucement en appui sur les cornières de carton.
3. Tirer fermement sur le fond de la boîte de carton pour l'enlever.
4. Utiliser une clé à molette pour desserrer les pieds de nivellement.
5. Placer une feuille de carton ou de contreplaqué devant la cuisinière. Replacer la cuisinière verticalement, en appui sur la feuille de carton ou de contreplaqué.

Installation de la bride antibasculement

⚠ AVERTISSEMENT



Risque de basculement

Un enfant ou une personne adulte peut faire basculer la cuisinière ce qui peut causer un décès.

Joindre la bride antibasculement au pied arrière de la cuisinière.

Joindre de nouveau la bride antibasculement si la cuisinière est déplacée.

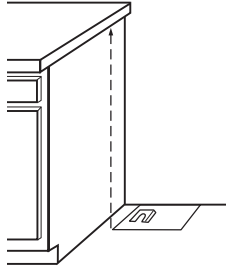
Le non-respect de ces instructions peut causer un décès ou des brûlures graves aux enfants et aux adultes.

Contactez un installateur de revêtements de sol qualifié au sujet des meilleures méthodes de perçage des trous de montage à travers le revêtement de sol existant.

Avant de déplacer la cuisinière, la faire glisser sur sa base d'expédition, du carton ou un panneau dur.

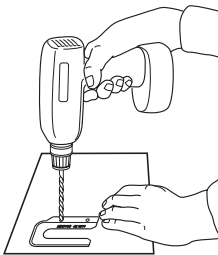
1. Enlever le gabarit de la trousse de la bride antibasculement (se trouvant à l'intérieur de la cavité du four) ou à la fin de ce guide.
2. Placer le gabarit sur le sol dans l'ouverture du placard de sorte que le bord gauche se trouve contre le placard, et le bord supérieur contre la paroi arrière, la plinthe ou le placard.

3. Fixer le gabarit avec du ruban adhésif.
4. Si le plan de travail n'est pas en affleurement avec le haut de l'ouverture du placard, aligner le gabarit avec le surplomb.



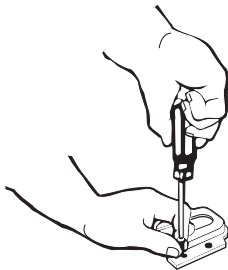
Si l'ouverture du placard est plus large que ce qui est spécifié dans les "Exigences d'emplacement", ajuster le gabarit de sorte que la cuisinière soit au centre de l'ouverture du placard.

5. Pour monter la bride antibasculement sur un plancher de bois, percer deux trous de $\frac{1}{8}$ " (3,2 mm) aux emplacements indiqués sur le gabarit de la bride. Enlever le gabarit du sol.



Pour monter la bride antibasculement sur un plancher en béton ou en céramique, utiliser un foret à maçonnerie de $\frac{3}{16}$ " (4,8 mm) pour percer 2 trous aux emplacements indiqués sur le gabarit de la bride. Enlever le gabarit du sol.

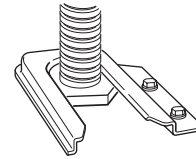
6. Enfoncer les chevilles de plastique dans les trous à l'aide d'un marteau.
7. Aligner les trous de la bride antibasculement avec les trous dans le plancher. Fixer la bride antibasculement avec les vis fournies.



Selon l'épaisseur du matériau du plancher, il peut être nécessaire d'employer des vis plus longues pour ancrer la bride dans le sous-plancher. On devra acheter les vis nécessaires dans une quincaillerie.

8. Déplacer la cuisinière près de l'ouverture d'encastrement. Retirer la base d'expédition, le carton ou le panneau dur se trouvant sous la cuisinière.
9. Brancher le cordon d'alimentation électrique tel que décrit dans la section "Connexion électrique".

10. Déplacer la cuisinière à son emplacement final en s'assurant que le pied de nivellement arrière glisse dans la bride antibasculement.

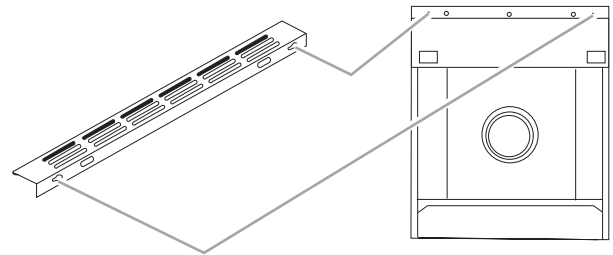


11. Poursuivre l'installation de la cuisinière en utilisant les instructions d'installation suivantes.

Installation du raccord du conduit d'évacuation à l'arrière

Pour une cuisinière encastrable, on doit installer le raccord de conduit d'évacuation à l'arrière.

Ôter les vis extérieures de la garniture arrière sur la cuisinière. Utiliser les vis pour fixer le raccord du conduit d'évacuation à la cuisinière.



Vérification de l'emplacement de la bride antibasculement

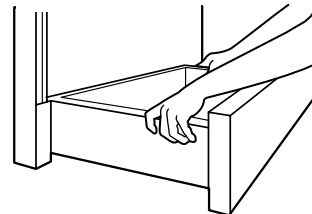
⚠ AVERTISSEMENT

Risque du poids excessif

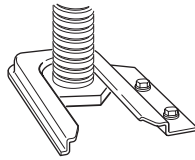
Utiliser deux ou plus de personnes pour déplacer et installer la cuisinière.

Le non-respect de cette instruction peut causer une blessure au dos ou d'autre blessure.

1. Approcher la cuisinière de l'espace d'installation entre les placards.
2. Retirer la feuille de carton ou de contreplaqué placée sous la cuisinière. Pousser prudemment la cuisinière jusqu'à sa position finale.
3. Ouvrir le tiroir jusqu'à la position de butée. Soulever l'avant du tiroir pour dégager les roulettes blanches des glissières du tiroir. Retirer le tiroir et le poser sur une surface protégée.



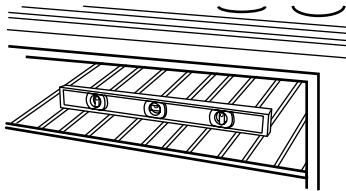
4. Vérifier l'installation de la bride antibasculement :
- Vérifier que la bride antibasculement est solidement fixée au sol.
 - Faire glisser la cuisinière vers l'arrière; veiller à placer le pied arrière sous la bride antibasculement.



5. Dans le cas de l'installation de la cuisinière dans une résidence mobile, on doit fixer la cuisinière au plancher. Toute méthode de fixation de la cuisinière au plancher est adéquate dans la mesure où elle est conforme aux normes mentionnées à la section "Exigences de l'emplacement d'installation".

Mise à niveau de la cuisinière

Placer la grille dans le four. Placer un niveau sur la grille pour contrôler l'aplomb, dans le sens transversal puis dans le sens avant/arrière.



Si la cuisinière n'est pas d'aplomb, tirer la cuisinière vers l'avant pour dégager le pied arrière de la bride antibasculement. Avec une clé à cliquet de $\frac{3}{8}$ " et une pince multiprise, ajuster les pieds de réglage de l'aplomb vers le haut ou vers le bas pour obtenir un parfait aplomb de la cuisinière. Pousser de nouveau la cuisinière jusqu'à sa position finale. Vérifier que le pied arrière est correctement engagé dans la bride antibasculement.

REMARQUE : Il faut que l'appareil soit d'aplomb pour que le four produise une performance satisfaisante.

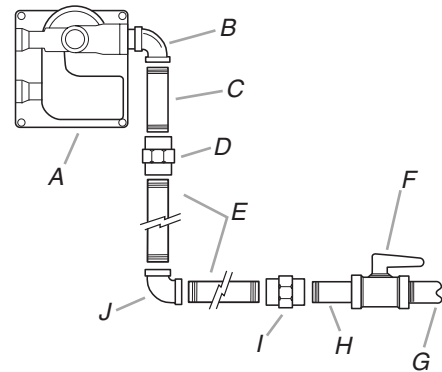
Raccordement à la canalisation de gaz

Raccordement typique à une canalisation rigide

On doit utiliser une combinaison de raccords pour raccorder la cuisinière à la canalisation de gaz existante. La configuration de connexion sera variable, selon les caractéristiques de la canalisation d'alimentation (type, taille et position).

1. Sur chaque connexion filetée, appliquer un composé d'étanchéité résistant au propane.

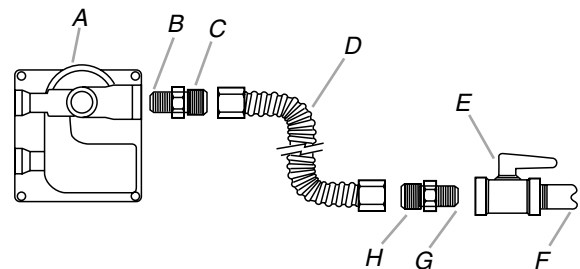
2. Utiliser une clé pour serrer tous les raccords entre la cuisinière et la canalisation de gaz.



- | | |
|---|--|
| A. Détendeur | F. Robinet d'arrêt manuel |
| B. Coude à 90° (avec filetage mâle NPT $\frac{1}{2}$ ") | G. Tuyau de gaz $\frac{1}{2}$ " ou $\frac{3}{4}$ " |
| C. Raccord droit | H. Raccord droit |
| D. Raccord droit ouvrable | I. Raccord droit ouvrable |
| E. Tuyau d'acier | J. Coude à 90° |

Raccordement typique par raccord flexible

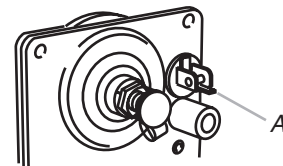
1. Appliquer un composé d'étanchéité des filetages résistant au propane sur l'extrémité filetée la plus petite des adaptateurs de raccord flexible (voir B et G ci-dessous).
2. Fixer un raccord d'adaptation sur le détendeur et l'autre raccord d'adaptation sur le robinet d'arrêt de la canalisation de gaz. Serrer les deux raccords d'adaptation.
3. Utiliser une clé mixte de $\frac{15}{16}$ " et une pince multiprise pour fixer le raccord flexible sur les raccords d'adaptation. Veiller à ne pas déformer/écraser le raccord flexible.



- | | |
|--|--|
| A. Détendeur | E. Robinet d'arrêt manuel |
| B. Appliquer un composé d'étanchéité | F. Tuyau de gaz $\frac{1}{2}$ " ou $\frac{3}{4}$ " |
| C. Raccord d'adaptation (avec filetage mâle NPT $\frac{1}{2}$ ") | G. Appliquer un composé d'étanchéité |
| D. Raccord flexible | H. Raccord d'adaptation |

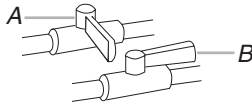
Compléter le raccordement

1. Vérifier que le robinet d'arrêt du détendeur est à la position d'ouverture.



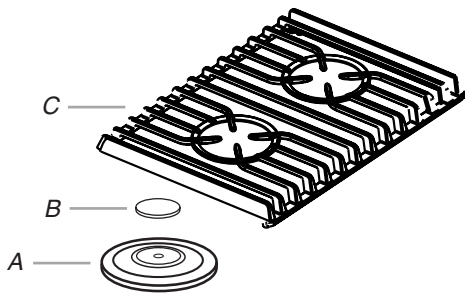
A. Robinet d'arrêt sur le détendeur

- Ouvrir le robinet d'arrêt manuel sur la canalisation de gaz (la manette doit être parallèle au tuyau).



A. Robinet d'arrêt fermé
B. Robinet d'arrêt ouvert

- Effectuer une recherche des fuites : appliquer au pinceau sur les connexions une solution non corrosive de détection des fuites; la formation de bulles identifiera une fuite. Éliminer toute fuite constatée.
- Prendre les chapeaux de brûleur et grilles de brûleur dans le paquet de pièces. Aligner les encoches des chapeaux de brûleur avec les broches dans la base de chaque brûleur. Un chapeau de brûleur correctement placé doit être horizontal. Si le chapeau de brûleur n'est pas correctement placé, le brûleur ne peut s'allumer. Placer la grille de brûleur sur chaque brûleur.



A. Chapeau de brûleur
B. Base de brûleur
C. Grille de brûleur

⚠ AVERTISSEMENT



Risque de choc électrique

- Brancher sur une prise à 3 alvéoles reliée à la terre.**
- Ne pas enlever la broche de liaison à la terre.**
- Ne pas utiliser un adaptateur.**
- Ne pas utiliser un câble de rallonge.**
- Le non-respect de ces instructions peut causer un décès, un incendie ou un choc électrique.**

- Brancher sur une prise à 3 alvéoles reliée à la terre.

Système d'allumage électronique

Allumage initial et réglages des flammes

Un système d'allumage électronique est utilisé à la place des flammes de veille usuelles pour l'allumage des brûleurs (table de cuisson et four). Lorsqu'on place le bouton de commande d'un brûleur de la table de cuisson à la position "LITE" (allumage), le système génère des étincelles pour l'allumage du brûleur. La génération d'étincelles se poursuit aussi longtemps que le bouton de commande est laissé à la position "LITE".

Lorsqu'on place le bouton de commande du brûleur du four à la position désirée, les étincelles générées provoquent l'inflammation du gaz.

Contrôle du fonctionnement des brûleurs de la table de cuisson

Brûleurs standard de la table de cuisson

Tourner le bouton de commande du brûleur à la position "LITE".

Les flammes doivent s'allumer sur le brûleur en moins de 4 secondes. Lors de l'allumage initial, le délai d'allumage peut être supérieur à 4 secondes du fait de la présence d'air dans la canalisation de gaz.

Brûleur TripleTier™

Pour allumer le brûleur de mijotage :

Tourner le bouton de commande du brûleur à la position "LITE".

Les flammes doivent s'allumer sur le brûleur en moins de 4 secondes. Lors de l'allumage initial, le délai d'allumage peut être supérieur à 4 secondes du fait de la présence d'air dans la canalisation de gaz.

Pour allumer le brûleur haute puissance :

Tourner le bouton de commande du brûleur à la position "POWER BURNER HIGH".

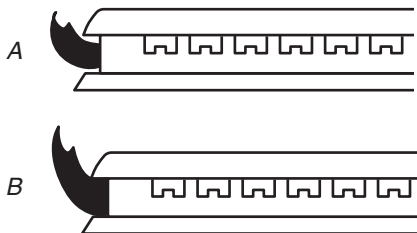
Les flammes doivent s'allumer sur le brûleur en moins de 4 secondes. Lors de l'allumage initial, le délai d'allumage peut être supérieur à 4 secondes du fait de la présence d'air dans la canalisation de gaz.

Si le brûleur ne s'allume pas correctement :

- Ramener le bouton de commande de la table de cuisson à la position d'arrêt.
- Vérifier que la cuisinière est branchée et correctement alimentée (fusible grillé? disjoncteur ouvert?)
- Vérifier que chaque robinet d'arrêt est ouvert.
- Vérifier que le chapeau de brûleur est correctement placé sur la base du brûleur.
- Répéter le processus de mise en marche. Si à ce point un brûleur ne s'allume pas, contacter le revendeur ou un réparateur agréé.

Réglage de la taille des flammes

Régler la taille des flammes sur les brûleurs de la table de cuisson. Pour le réglage au débit thermique minimum, on doit observer des flammes stables bleues de ¼" (0,64 cm).

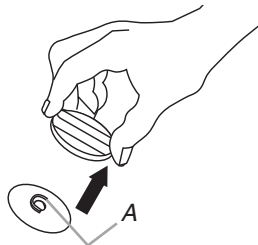


A. Débit thermique minimum
B. Débit thermique maximum

S'il est nécessaire de régler la taille des flammes pour le débit thermique minimum :

Réglage du brûleur standard

La vis de réglage au centre de la tige de commande du robinet permet de régler la taille des flammes. La tige de commande est située directement au-dessous du bouton de commande.

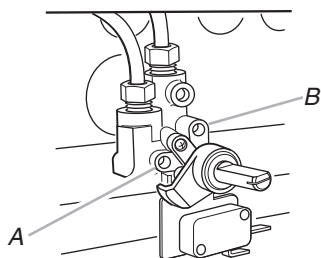


A. Vis de réglage

1. Ôter le bouton de commande.
2. Immobiliser la tige de commande avec une pince. Utiliser un petit tournevis à lame plate pour faire tourner la vis située au centre de la tige de commande; ajuster les flammes à la taille désirée.
3. Réinstaller le bouton de commande.
4. Tester le fonctionnement du brûleur : faire passer le bouton de commande de la position "LO" (bas) à la position "HI" (élevé) et observer les flammes pour chaque position.

Brûleur TripleTier™ réglage - des flammes

Pour le réglage des flammes, utiliser la vis de réglage située sous le bouton de commande.



A. Réglage du brûleur - pleine puissance
B. Réglage du brûleur - mijotage

1. Ôter le bouton de commande.
2. Insérer un petit tournevis à lame plate aux emplacements d'ajustement illustrés pour faire tourner la vis de réglage et établir la taille correcte des flammes.
3. Réinstaller le bouton de commande.

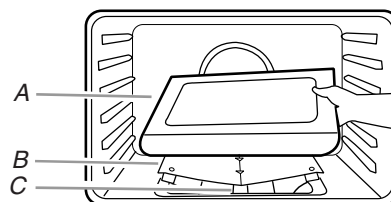
4. Tester le fonctionnement du brûleur : faire passer le bouton de commande de la position "LO" (bas) à la position "HI" (élevé) et observer les flammes pour chaque position.

Contrôle du fonctionnement du brûleur du four

1. Ôter la grille du four. Ôter le couvercle du brûleur du four et placer celui-ci sur une surface protégée.
2. Appuyer sur la touche de commande BAKE (cuisson au four). La température sélectionnée par défaut apparaît sur l'afficheur.
3. Appuyer sur la touche START (mise en marche). Selon le modèle, l'afficheur de température présente "PrE" et le temps de préchauffage **OU** "PREHEATING" (préchauffage) et "LO" (ou bien la température réelle).

Le brûleur du four devrait s'allumer en moins de 8 secondes; dans certaines conditions, l'allumage peut ne survenir qu'après 50 à 60 secondes.

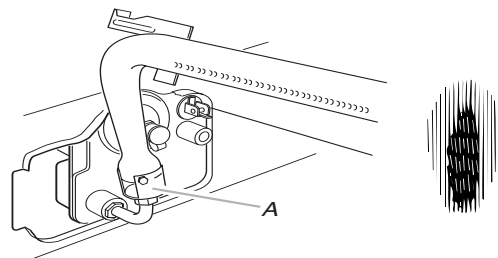
Un dispositif d'allumage électronique est utilisé pour l'allumage des brûleurs du four et du gril.



A. Couvercle du brûleur du four
B. Répartiteur de flammes
C. Brûleur du four

Réglage de la taille des flammes sur le brûleur du four (le cas échéant)

1. Sur les modèles avec tiroir-réchaud, ôter la plaque fermant l'ouverture d'accès (1 vis) à l'arrière du compartiment du tiroir-réchaud.
2. Observer les flammes sur le brûleur du four pour déterminer si un réglage est nécessaire.
Il doit y avoir sur le brûleur des flammes comportant un cône interne bleu-vert de ½" (1,3 cm) et une zone externe bleu foncé; la forme des flammes doit être nette et douce. On ne doit pas observer de pointes jaunes, ni d'effet de soufflage ou séparation entre les flammes et le brûleur.
3. S'il est nécessaire de régler la taille des flammes, identifier la virole de réglage de l'admission d'air près du centre/à l'arrière de la cuisinière. Desserrer la vis de blocage et faire tourner la virole pour établir des flammes de configuration correcte. Resserrer la vis de blocage de la virole.

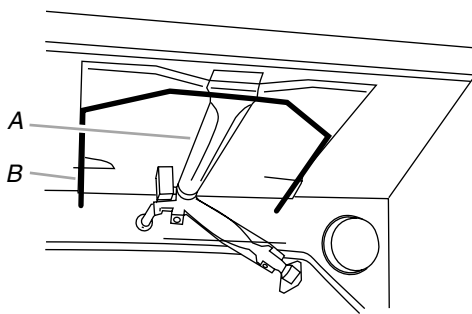


A. Virole de réglage de l'admission d'air

- Appuyer sur la touche CANCEL/OFF (annulation/arrêt).
- Réinstaller la plaque de l'ouverture d'accès au brûleur du four.

Contrôle du fonctionnement du brûleur du grill

- Fermer la porte du four.
- Appuyer sur la touche de commande BROIL (gril). Selon le modèle, l'afficheur de température présente "HI" **OU** "MAXI BROIL" et la température de cuisson au gril.
- Appuyer sur la touche de commande START (mise en marche). Sur certains modèles, les témoins "HEAT" (chauffage) et "ON" (marche) s'allument. Le brûleur du four devrait s'allumer en moins de 8 secondes; dans certaines conditions, l'allumage peut ne survenir qu'après 50 à 60 secondes. Sur certains modèles, un élément de chauffage électrique périphérique est également mis en marche.

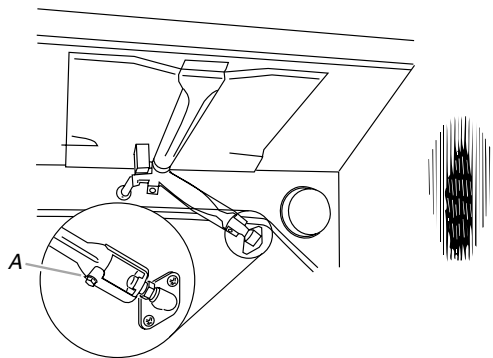


A. Brûleur à gaz
B. Élément de chauffage électrique périphérique

REMARQUE : Pour que le brûleur du grill fonctionne correctement, il faut que la porte du four soit fermée.

Réglage de la taille des flammes sur le brûleur du grill (le cas échéant)

Examiner les flammes sur le brûleur du grill à travers le hublot du four. On doit observer des flammes comportant un cône interne bleu-vert de 1/2" (1,3 cm) et une zone externe bleu foncé; la forme des flammes doit être nette et douce. On ne doit pas observer de pointes jaunes, ni d'effet de soufflage ou séparation entre les flammes et le brûleur.



A. Vis de blocage

S'il est nécessaire de régler la taille des flammes :

- Desserrer la vis de blocage de la virole de réglage de l'admission d'air, à l'arrière du brûleur du grill.
- Régler l'admission d'air selon le besoin.
- Resserrer la vis de blocage.

Réinstallation des grilles dans le four et du tiroir de remisage ou du tiroir-réchaud

Réinstaller les grilles à l'intérieur du four. Insérer le tiroir de remisage ou le tiroir-réchaud sur les glissières latérales de la cavité. Soulever légèrement l'avant du tiroir et pousser fermement pour fermer.

Achever l'installation

- Vérifier que toutes les pièces sont maintenant installées. S'il reste une ou plusieurs pièces inutilisées, passer en revue les différentes étapes pour découvrir laquelle aurait été oubliée.
- Vérifier la présence de tous les outils.
- Jeter ou recycler tous les matériaux d'emballage.
- Contrôler l'aplomb de la cuisinière. Voir "Réglage de l'aplomb de la cuisinière".
- Utiliser une solution d'eau tiède et de nettoyant ménager doux pour éliminer tout résidu de cire laissé par les matériaux de protection de l'emballage. Sécher parfaitement avec un linge doux. Pour plus d'informations, consulter la section "Entretien de la cuisinière" dans le Guide d'utilisation et d'entretien.
- Lire la section "Utilisation de la cuisinière" dans le Guide d'utilisation et d'entretien.
- Brancher l'appareil sur une prise de courant à 3 alvéoles, reliée à la terre.
- Mettre en marche les brûleurs de la table de cuisson et le brûleur du four. Pour des instructions spécifiques concernant l'utilisation de la cuisinière, consulter le Guide d'utilisation et d'entretien.

Si la cuisinière ne fonctionne pas, contrôler ce qui suit :

- Fusible grillé ou desserré? Disjoncteur ouvert?
- Cuisinière branchée directement sur une prise de courant à 3 alvéoles, reliée à la terre?
- Prise de courant correctement alimentée?
- Consulter la section "Dépannage" dans le Guide d'utilisation et d'entretien.
- Après 5 minutes de fonctionnement de la cuisinière, évaluer l'échauffement au toucher. Si aucune émanation de chaleur n'est perceptible, arrêter la cuisinière et déterminer si le robinet d'arrêt de la canalisation de gaz est ouvert.
 - Si le robinet d'arrêt de la canalisation de gaz est fermé, l'ouvrir, puis répéter le test de 5 minutes décrit ci-dessus.
 - Si le robinet d'arrêt de la canalisation de gaz était ouvert, contacter un technicien qualifié.

CONVERSIONS POUR CHANGEMENT DE GAZ

⚠ AVERTISSEMENT



Risque d'explosion

Utiliser une canalisation neuve d'arrivée de gaz approuvée par AGA ou CSA International.

Bien serrer chaque organe de connexion de la canalisation de gaz.

En cas de connexion au gaz propane, demander à une personne qualifiée de s'assurer que la pression de gaz ne dépasse pas 36 cm (14 po) de la colonne d'eau.

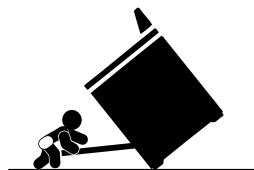
Par personne qualifiée, on comprend :

le personnel autorisé de chauffage, le personnel autorisé d'une compagnie de gaz, et le personnel d'entretien autorisé.

Le non-respect de ces instructions peut causer un décès, une explosion ou un incendie.

Conversion pour l'alimentation au propane

⚠ AVERTISSEMENT



Risque de basculement

Un enfant ou une personne adulte peut faire basculer la cuisinière ce qui peut causer un décès.

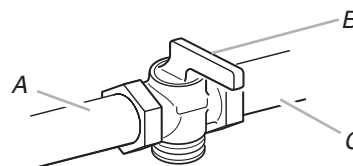
Joindre la bride antibasculement au pied arrière de la cuisinière.

Joindre de nouveau la bride antibasculement si la cuisinière est déplacée.

Le non-respect de ces instructions peut causer un décès ou des brûlures graves aux enfants et aux adultes.

Conversion du détendeur

- Vérifier que le robinet d'arrêt manuel est fermé et que le cordon d'alimentation est débranché.



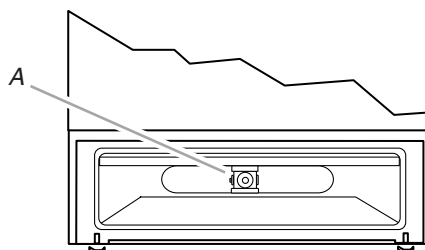
A. Vers la cuisinière

B. Robinet d'arrêt manuel - manette à la position de fermeture

C. Canalisation de gaz

- Retirer le tiroir de rangement ou tiroir-réchaud. Identifier le détendeur à l'arrière du tiroir.

REMARQUE : Dans le cas d'un modèle avec tiroir-réchaud, on doit enlever le couvercle de l'ouverture d'accès au détendeur.



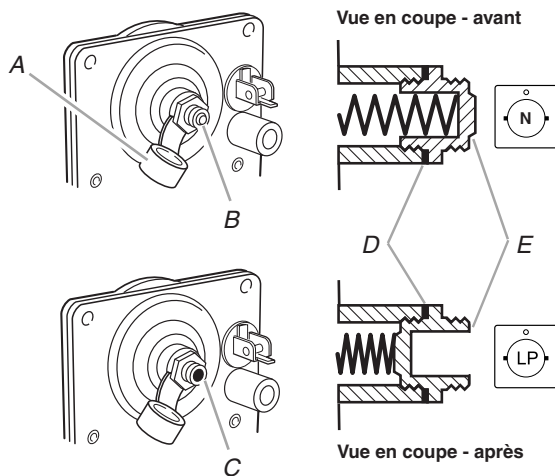
A. Détendeur

IMPORTANT : Ne pas enlever le détendeur.

Détendeur

- Ôter le couvercle de plastique du capuchon du détendeur.
- Faire tourner le capuchon du détendeur (avec la marque "N" à l'avant du détendeur) dans le sens antihoraire avec une clé, pour l'enlever.

REMARQUE : Ne pas enlever le ressort situé sous le capuchon.



A. Couvercle de plastique

B. Capuchon du détendeur; extrémité borgne vers l'extérieur

C. Capuchon du détendeur, extrémité ouverte vers l'extérieur

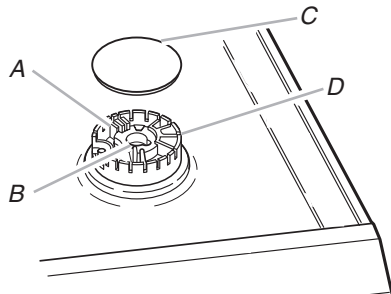
D. Joint

E. Capuchon du détendeur

- Inverser la position du capuchon du détendeur avant de le réinstaller sur le détendeur; l'extrémité ouverte doit être orientée vers l'extérieur, et les lettres "LP" doivent être visibles.
- Réinstaller le couvercle de plastique par-dessus le capuchon du détendeur.

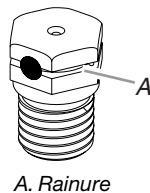
Conversion des brûleurs standard de la table de cuisson

- Enlever le chapeau de brûleur.
- Avec un tournevis Torx T20, enlever la base du brûleur.
- Appliquer du ruban adhésif de masquage à l'extrémité d'un tourne-écrou de 7 mm pour retenir le gicleur dans le tourne-écrou durant l'opération. Appuyer pour engager le tourne-écrou sur le gicleur; faire tourner le gicleur dans le sens antihoraire puis soulever pour l'enlever; conserver le gicleur.



A. Électrode d'allumage
B. Ouverture du tube de gaz
C. Chapeau de brûleur
D. Base du brûleur

- Chaque gicleur est marqué d'un chiffre gravé et d'un point coloré, et comporte une rainure dans la zone hexagonale. Remplacer le gicleur pour gaz naturel par le gicleur correct pour propane.



A. Rainure

Le tableau qui suit permet de sélectionner le gicleur pour propane correct pour chaque brûleur.

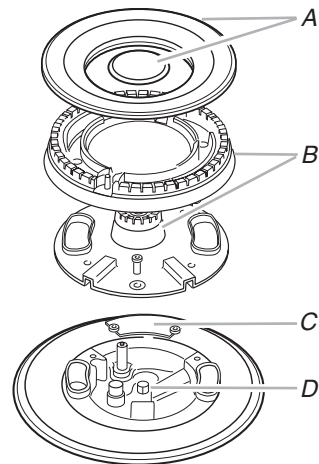
Gicleurs pour propane pour brûleurs standard de la table de cuisson

Position du brûleur	Capacité thermique du brûleur	Couleur	Taille
Côté avant droit	5 000 BTU	Rouge	0,70 mm
Côté avant gauche	13 000 BTU	Vert	1,10 mm
Côté arrière droit	10 000 BTU	Bleu	0,95 mm
Côté arrière gauche	5 000 BTU	Rouge	0,70 mm

- Placer les gicleurs pour gaz naturel dans le sachet de plastique, pour réutilisation ultérieure; conserver ces pièces avec les documents et manuels.
- Réinstaller le chapeau de brûleur.
- Répéter les étapes 1 à 5 pour chaque brûleur, sauf le brûleur à flamme TripleTier™ (sur certains modèles). Voir la section "Conversion pour un brûleur à flamme TripleTier™".

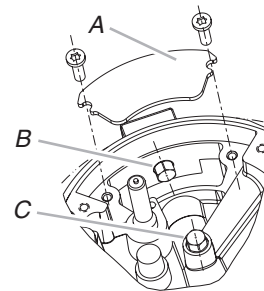
Conversion pour un brûleur à flamme TripleTier™ (sur certains modèles)

- Enlever le chapeau de brûleur.
- Utiliser un tournevis Torx T20 pour enlever la tête du brûleur.
- Enlever la plaque associée au gicleur externe.



A. Chapeaux de brûleur
B. Têtes de brûleur
C. Plaque de l'orifice d'accès pour gicleur externe
D. Gicleur interne

IMPORTANT : Le brûleur à flamme TripleTier™ comporte 2 gicleurs. Ne pas oublier de changer aussi le gicleur externe, situé sous la plaque.



A. Plaque
B. Gicleur externe
C. Gicleur interne

- Appliquer du ruban adhésif de masquage à l'extrémité d'un tourne-écrou de 7 mm pour retenir le gicleur interne dans le tourne-écrou durant l'opération. Appuyer pour engager le tourne-écrou sur le gicleur; faire tourner le gicleur dans le sens antihoraire puis soulever pour l'enlever. Conserver le gicleur à part.
- Utiliser une clé mixte de 7 mm pour enlever le gicleur externe. Faire tourner le gicleur dans le sens antihoraire. Conserver le gicleur à part.
- Remplacer le gicleur pour gaz naturel par le gicleur pour propane correct. Le tableau qui suit permet de sélectionner le gicleur pour propane correct pour chaque cas.

Gicleur pour propane pour brûleurs à flamme TripleTier™

Position du brûleur	Capacité thermique du brûleur	Couleur	Taille
Côté avant gauche (brûleur externe TripleTier™)	11 800 BTU	Marron	1 mm
Côté avant gauche (brûleur interne TripleTier™)	2 200 BTU	Orange	0,42 mm

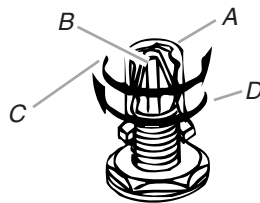
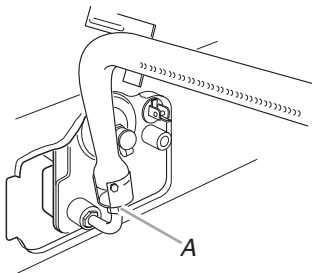
- Réinstaller la plaque de brûleur, la tête de brûleur et le chapeau de brûleur.
- Placer les gicleurs pour gaz naturel dans le sachet de plastique pour réutilisation ultérieure; conserver ces pièces avec les documents et manuels.

Conversion du brûleur du four

- Ôter les grilles du four.
- Avec une clé mixte de 1/2", faire tourner le gicleur pour l'amener au contact de la broche (environ 2 à 2 1/2 tours).

IMPORTANT : Ne pas serrer excessivement.

Il ne sera pas possible de régler correctement les flammes sur le brûleur du four si cette conversion n'est pas exécutée. Voir la section "Réglage des flammes sur le brûleur du four".



A. Gicleur

B. Broche

C. Gaz naturel : augmentation du débit de gaz - augmentation de la taille des flammes (préréglage à l'usine pour gaz naturel)

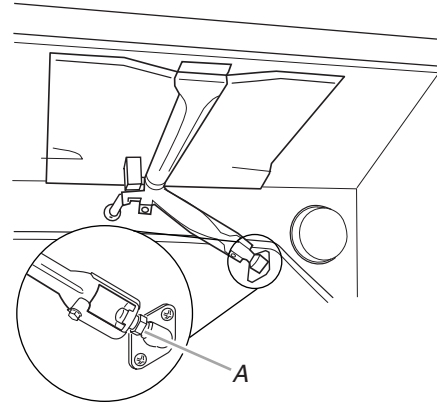
D. Propane : réduction du débit de gaz - réduction de la taille des flammes

Conversion du brûleur du grill

- Avec une clé mixte de 1/2", faire tourner le gicleur pour l'amener au contact de la broche (environ 2 à 2 1/2 tours).

IMPORTANT : Ne pas serrer excessivement.

Il ne sera pas possible de régler correctement les flammes sur le brûleur du grill si cette conversion n'est pas exécutée. Voir la section "Réglage des flammes sur le brûleur du grill".



A. Gicleur

- Réinstaller le tiroir de rangement ou tiroir-réchaud.
- Achever l'installation. Voir les sections "Raccordement à la canalisation de gaz" et "Système d'allumage électronique".

Il est très important de vérifier l'établissement de flammes correctes sur les brûleurs de la table de cuisson et le brûleur du four. Il doit y avoir un petit cône interne bleu distinct de 1/4" à 1/2". La partie externe des flammes n'est pas aussi distincte que le cône interne. Les flammes d'un brûleur alimenté au propane comportent une pointe légèrement jaune.

IMPORTANT : Il peut être nécessaire de modifier le réglage des flammes à la position "LO" (débit thermique minimum) pour chaque brûleur de la table de cuisson.

Conversion pour l'alimentation au gaz naturel

AVERTISSEMENT



Risque de basculement

Un enfant ou une personne adulte peut faire basculer la cuisinière ce qui peut causer un décès.

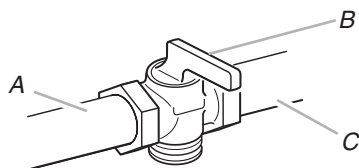
Joindre la bride antibasculement au pied arrière de la cuisinière.

Joindre de nouveau la bride antibasculement si la cuisinière est déplacée.

Le non-respect de ces instructions peut causer un décès ou des brûlures graves aux enfants et aux adultes.

Conversion du détendeur

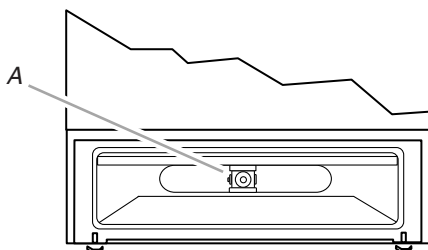
1. Vérifier que le robinet d'arrêt manuel est fermé et que le cordon d'alimentation est débranché.



- A. Vers la cuisinière
- B. Robinet d'arrêt manuel - manette à la position de fermeture
- C. Canalisation de gaz

2. Retirer le tiroir de rangement ou tiroir-réchaud. Identifier le détendeur à l'arrière du tiroir.

REMARQUE : Dans le cas d'un modèle avec tiroir-réchaud, on doit enlever le couvercle de l'ouverture d'accès au détendeur.



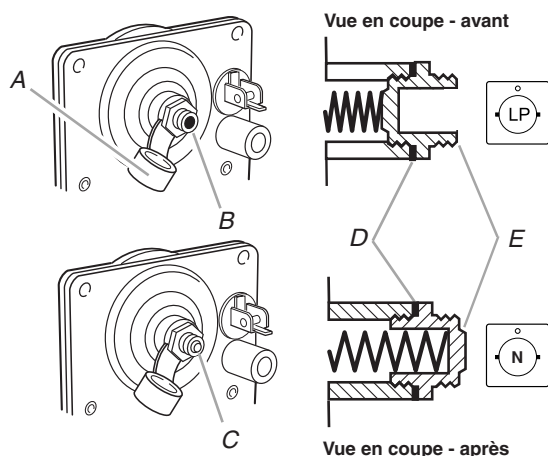
A. Détendeur

IMPORTANT : Ne pas enlever le détendeur.

Détendeur

3. Ôter le couvercle de plastique du capuchon du détendeur.
4. Faire tourner le capuchon du détendeur (avec la marque "LP" à l'avant du détendeur) dans le sens antihoraire avec une clé, pour l'enlever.

REMARQUE : Ne pas enlever le ressort situé sous le capuchon.

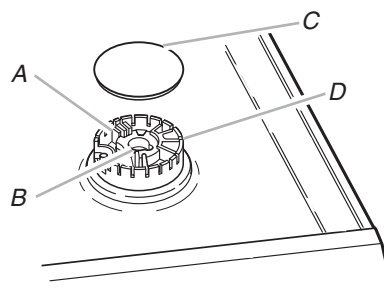


- A. Couvercle de plastique
- B. Capuchon du détendeur; extrémité ouverte vers l'extérieur
- C. Capuchon du détendeur, extrémité borgne vers l'extérieur
- D. Joint
- E. Capuchon du détendeur

5. Inverser la position du capuchon du détendeur avant de le réinstaller sur le détendeur; l'extrémité borgne doit être orientée vers l'extérieur, et la lettre "N" doit être visible.
6. Réinstaller le couvercle de plastique par-dessus le capuchon du détendeur.

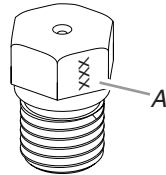
Conversion des brûleurs standard de la table de cuisson

1. Enlever le chapeau de brûleur.
2. Avec un tournevis Torx T20, enlever la base du brûleur.
3. Appliquer le ruban adhésif de masquage à l'extrémité d'un tourne-écrou de 7 mm pour retenir le gicleur dans le tourne-écrou durant l'opération. Appuyer pour engager le tourne-écrou sur le gicleur; faire tourner le gicleur dans le sens antihoraire puis soulever pour l'enlever; conserver le gicleur.



- A. Électrode d'allumage
- B. Ouverture du tube de gaz
- C. Chapeau de brûleur
- D. Base du brûleur

4. Chaque gicleur est marqué d'un chiffre gravé sur le côté. Remplacer le gicleur pour propane par le gicleur correct pour gaz naturel.



A. Chiffre gravé

Le tableau qui suit permet de sélectionner le gicleur pour propane correct pour chaque brûleur.

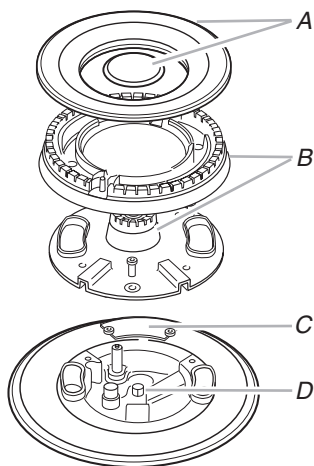
Gicleurs pour propane pour brûleurs standard de la table de cuisson

Position du brûleur	Capacité thermique du brûleur	Taille
Côté avant droit	6 000 BTU	1,10 mm
Côté avant gauche	14 000 BTU	1,70 mm
Côté arrière droit	12 500 BTU	1,61 mm
Côté arrière gauche	6 000 BTU	1,10 mm

- Placer les gicleurs pour propane dans le sachet de plastique, pour réutilisation ultérieure; conserver ces pièces avec les documents et manuels.
- Réinstaller le chapeau de brûleur.
- Répéter les étapes 1 à 5 pour chaque brûleur, sauf le brûleur à flamme TripleTier™ (sur certains modèles). Voir la section "Conversion pour un brûleur à flamme TripleTier™".

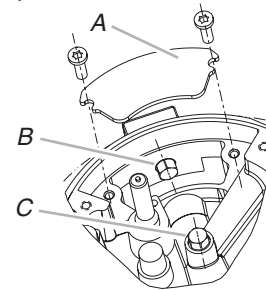
Conversion pour un brûleur à flamme TripleTier™ (sur certains modèles)

- Enlever le chapeau de brûleur.
- Utiliser un tournevis Torx T20 pour enlever la tête du brûleur.
- Enlever la plaque associée au gicleur externe.



A. Chapeaux de brûleur
 B. Têtes de brûleur
 C. Plaque de l'orifice d'accès pour gicleur externe
 D. Gicleur interne

IMPORTANT : Le brûleur à flamme TripleTier™ comporte 2 gicleurs. Ne pas oublier de changer aussi le gicleur externe, situé sous la plaque.



A. Plaque
 B. Gicleur externe
 C. Gicleur interne

- Appliquer du ruban adhésif de masquage à l'extrémité d'un tourne-écrou de 7 mm pour retenir le gicleur interne dans le tourne-écrou durant l'opération. Appuyer pour engager le tourne-écrou sur le gicleur; faire tourner le gicleur dans le sens antihoraire puis soulever pour l'enlever; conserver le gicleur à part.
- Utiliser une clé mixte de 7 mm pour enlever le gicleur externe. Faire tourner le gicleur dans le sens antihoraire; conserver le gicleur à part.
- Remplacer le gicleur pour propane par le gicleur pour gaz naturel correct. Le tableau qui suit permet de sélectionner le gicleur pour propane correct pour chaque cas.

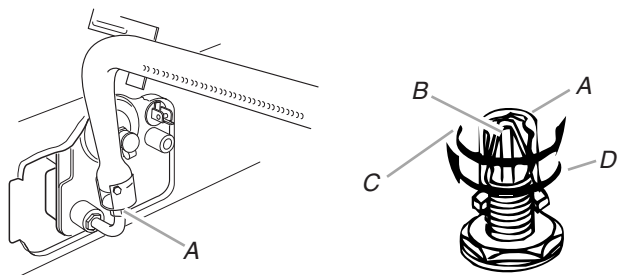
Gicleur pour gaz naturel pour brûleurs à flamme TripleTier™

Position du brûleur	Capacité thermique du brûleur	Taille
Côté avant gauche (brûleur externe TripleTier™)	12 200 BTU	1,70 mm
Côté avant gauche (brûleur interne TripleTier™)	2 800 BTU	0,70 mm

- Réinstaller la plaque de brûleur, la tête de brûleur et le chapeau de brûleur.
- Placer les gicleurs pour propane dans le sachet de plastique, pour réutilisation ultérieure; conserver ces pièces avec les documents et manuels.

Conversion du brûleur du four

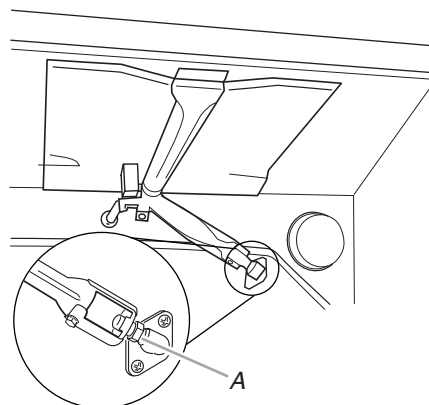
1. Ôter les grilles du four.
2. Avec une clé mixte de 1/2", faire tourner le gicleur pour l'écartier de la broche (environ 2 à 2½ tours). Il ne sera pas possible de régler correctement les flammes sur le brûleur du four si cette conversion n'est pas exécutée. Voir la section "Réglage des flammes sur le brûleur du four".



- A. Gicleur
B. Broche
C. Gaz naturel : augmentation du débit de gaz - augmentation de la taille des flammes (préréglage à l'usine pour gaz naturel)
D. Propane : réduction du débit de gaz - réduction de la taille des flammes

Conversion du brûleur du grill

1. Avec une clé mixte de 1/2", faire tourner le gicleur pour l'écartier de la broche (environ 2 à 2½ tours). Il ne sera pas possible de régler correctement les flammes sur le brûleur du grill si cette conversion n'est pas exécutée. Voir la section "Réglage des flammes sur le brûleur du grill".



A. Gicleur

2. Réinstaller le tiroir de rangement ou tiroir-réchaud.
3. Achever l'installation. Voir les sections "Raccordement à la canalisation de gaz" et "Système d'allumage électronique". Il est très important de vérifier l'établissement de flammes correctes sur les brûleurs de la table de cuisson et le brûleur du four. Les flammes d'un brûleur alimenté au gaz naturel ne comportent pas une pointe jaune.

IMPORTANT : Il peut être nécessaire de modifier le réglage des flammes à la position "LO" (débit thermique minimum) pour chaque brûleur de la table de cuisson.

ANTI-TIP BRACKET TEMPLATE GABARIT POUR LA BRIDE ANTIBASCULEMENT

Cut here and place top edge against the left side cabinet and right edge against rear wall.

Couper ici et placer le rebord supérieur contre le côté gauche du placard et le rebord droit contre la paroi arrière.

