



Installation Instructions

Kühl Color Kit

For Use with Kühl and Kühl+ units

Please read these instructions completely before attempting installation.

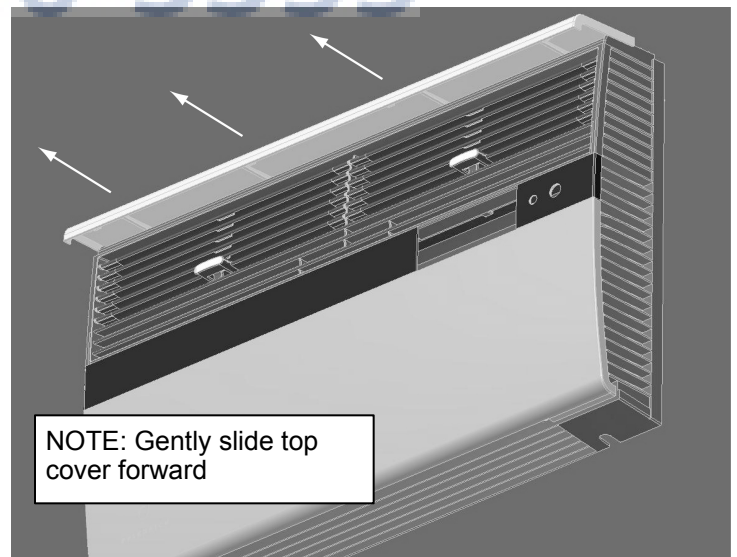
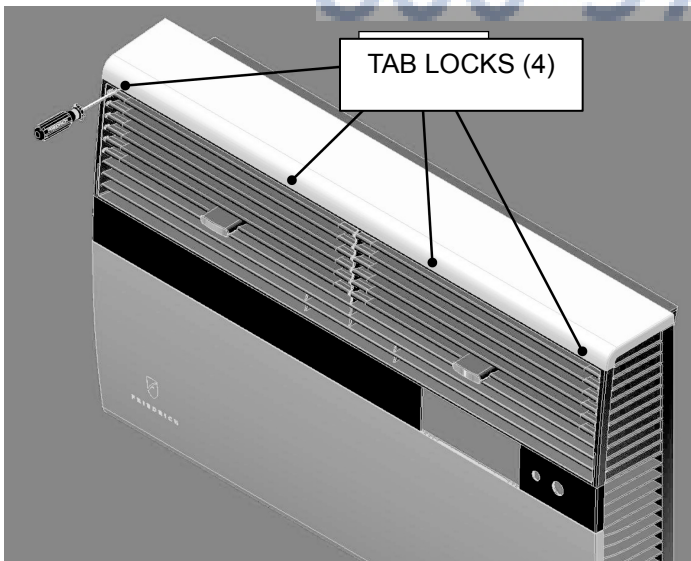
NOTE: These instructions apply to the Friedrich Kühl Series.

Kit Contents:	Quantity
Door Decorative Front (Size & Color)	1
Top Decorative Cover (Top Cover)	1
Hinge Pin	2
Tool Top Cap Removal (Screwdriver)	1
Instruction Sheet	1

Tools Required: Friedrich supplied screwdriver

Step 1. Front cover removal and install:

Please use the provided screwdriver to release top decorative cover free from unit's decorative front. This is accomplished by positioning the flat blade of the screwdriver into the seam (about 1" from end) between the top cover and the decorative front. Be careful not to apply pressure to the front horizontal louver (vents) while releasing the top cover. The top cover has 4 tab locks which hold it in position. By inserting the blade slightly and gently twisting the tab lock can be released. Work from the left side to the right side releasing the lock tabs until the top cover cap is loose.

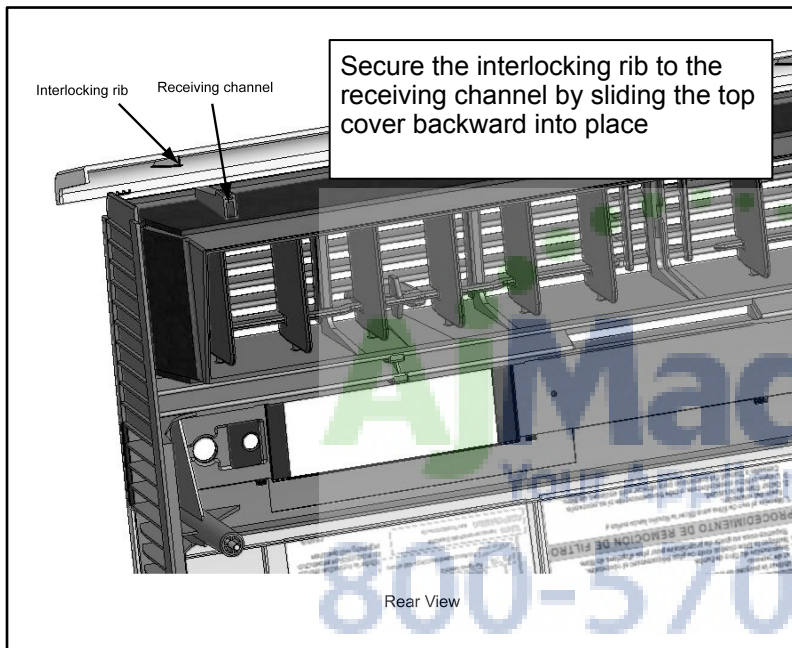




Next, with the top cover cap still in place, slide it toward you until it is free from the unit decorative front.

Unpack the new top cover. Note that it has interlock ribs on its bottom side which will slide in to the channels located on the top of the decorative front top surface.

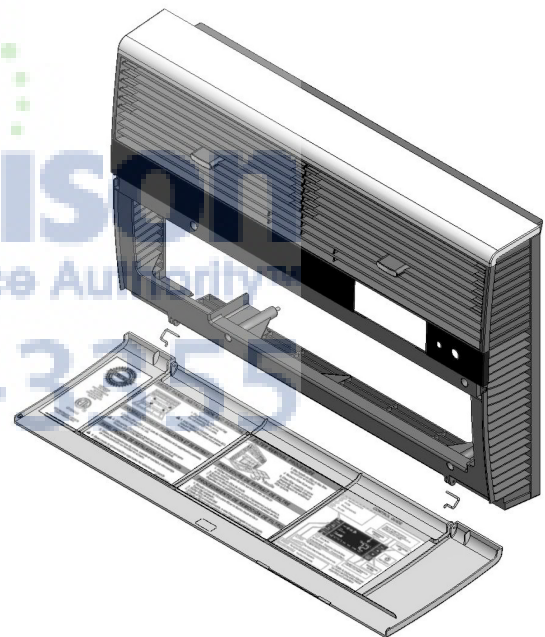
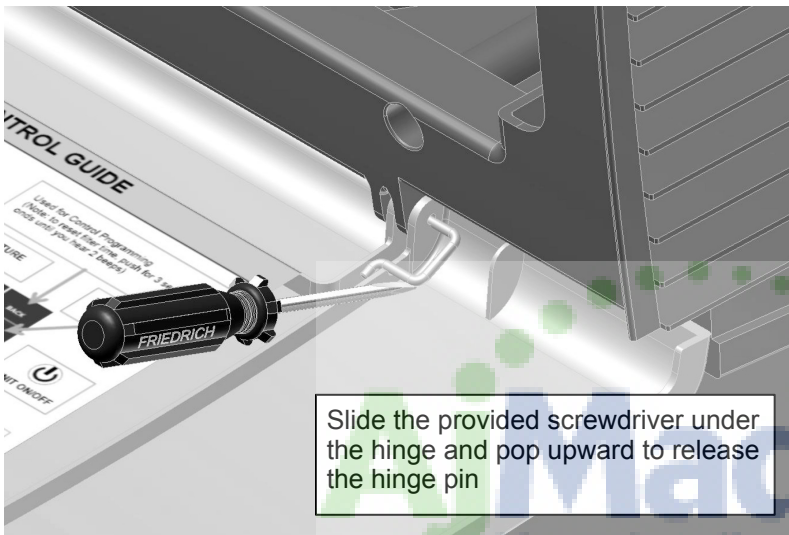
Carefully align the new top cover cap interlocking rib to enter the decorative front receiving channel and push the top cap cover to fully engage the interlock rib to the channel. Continue to push the top cap until the locking tabs become engaged with the decorative front. The new top cover cap should now be installed.



Step 2. Decorative front door removal and installation



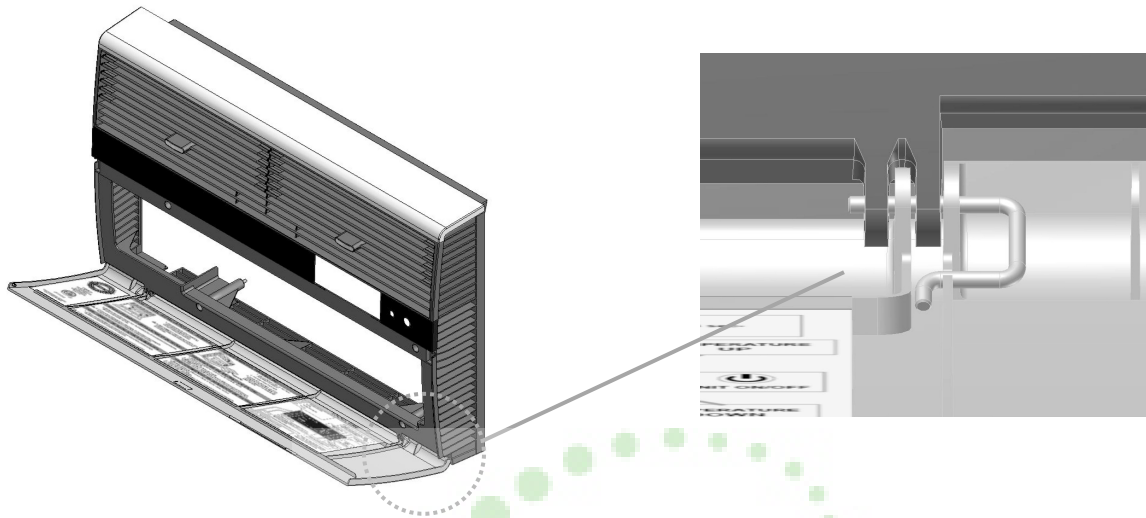
The decorative front filter access door can be easily removed by utilizing the small screwdriver again. Open the door completely and observe the hinge pins near the inside bottom left and right corners of the door. Gently pry the hinge pin to cause it to rotate upward. Once the hinge pin is rotated clear of the doors' locking rib it can be removed. Gently pull the hinge pin to the side to remove it from the door and the decorative front. With the hinges removed the door will be free to be removed from the unit's decorative front.



Unpack the new decorative door. New hinge pins are included with the kit and can be used if needed.



Carefully position the new decorative door to the decorative front and while holding it in place, insert a hinge and rotate its position to lock it into place. Next insert the other hinge pin to the opposite end and rotate it to lock it into position.



The new decorative door is now installed.

AjMadison
Your Appliance Authority™
800-570-3355

