

---

**INSTALLATION INSTRUCTIONS**

**EN**

---

**INSTRUCTIONS POUR L'INSTALLATION**

**FR**

---

**INSTRUCCIONES DE MONTAJE**

**ES**

---

**BUILT-IN OVEN  
FOUR ENCASTRABLE  
HORNO EMPOTRADO**

**THANK YOU FOR YOUR TRUST AND FOR BUYING THIS APPLIANCE.**

PLEASE READ THIS MANUAL CAREFULLY. IT CONTAINS ALL NECESSARY INSTRUCTIONS TO CONVERT THE GAS SUPPLY OF THIS PRODUCT.

**FRANÇAIS****7 - 12**

**NOUS VOUS REMERCIONS DE VOTRE CONFIANCE ET DE L'ACHAT DE CET APPAREIL.**

S'IL VOUS PLAÎT, LISEZ CE MANUEL ATTENTIVEMENT. IL CONTIENT TOUTES LES INSTRUCTIONS NECESSAIRES POUR CONVERTIR L'ALIMENTATION EN GAZ DE CE PRODUIT.

**ESPAÑOL****8 - 18**

**GRACIAS POR LA CONFIANZA QUE HA DEPOSITADO EN NOSOTROS CON LA COMPRA DE ESTE APARATO.**

LEA ESTE MANUAL ATENTAMENTE. CONTIENE LAS INSTRUCCIONES NECESARIAS PARA LA CONVERSIÓN DEL SUMINISTRO DE GAS DE ESTE PRODUCTO.

**IMPORTANT:**

**Save for the local electric inspector's use**

**Installer:** Leave installation instructions with the homeowner

**Homeowner:** Keep installation instructions for future reference.

Write down the model and serial numbers before installing the range.

Both numbers are found on the model/serial ID plate, located on the oven door frame.

**IMPORTANT :**

**Conserver pour l'inspecteur en électricité**

**Installateur :** Laisser les instructions pour l'installation au propriétaire

**Propriétaire :** Garder les instructions pour l'installation pour référence future.

Notez le numéro de modèle et le numéro de série avant d'installer la cuisinière.

Les deux numéros se trouvent sur la fiche signalétique du modèle et du numéro de série, située sur le cadre de la porte du four.

**IMPORTANTE:**

**Guardar estas instrucciones para uso del inspector local de electricidad**

**Instalador:** Dejar las instrucciones de montaje al propietario de la casa

**Propietario de la casa:** Guardar las instrucciones de montaje para futura referencia.

Anote el número de modelo y de serie antes de instalar la cocina.

Ambos números aparecen en la placa de identificación del modelo/serie, ubicada en el marco de la puerta del horno.

Model # \_\_\_\_\_ No Modèle \_\_\_\_\_ Modelo # \_\_\_\_\_

Serial # \_\_\_\_\_ No Série \_\_\_\_\_ Nº de serie # \_\_\_\_\_

TABLE OF CONTENTS					
	page		page		page
Introduction	1	Installation notes	2	Connecting to 120/208V circuit	5
Tools you will need	1	Wall or under counter installation, single oven	3	Electrical connections	6
Power requirements	1	Wall installation double oven	3	3-wire branch circuit	6
Choosing oven location	1	Flush installation	4	4-wire branch circuit	6
Steps for installation	1	Electrical supply	5	Final check list	6
Technical data	2	Wiring requirement	5		

**IMPORTANT:** Save these instructions for the local electrical inspector use.  
**INSTALLER:** Please leave this manual with owner for future reference.  
**OWNER:** Please keep this manual for future reference.

**WARNING**

a fire or explosion may result causing property damage, If the information in this manual is not followed exactly, personal injury or death.

**INTRODUCTION**

Please read these instructions **COMPLETELY AND CAREFULLY**. They will save you time and effort and help to ensure optimum oven performance.

Be sure to observe all **WARNINGS**. These installation instructions are intended for use by a qualified installer.

In addition to these instructions, the oven shall be installed:

- In the United States, in accordance with the National Electric Code/State and Municipal codes and/or local codes.
- In Canada, in accordance with Canadian Electric Code C22.1-latest edition/Provincial and Municipal codes and/or local codes.

These shall be carefully followed at all times.

**NOTE: IF INSTALLING YOUR OVEN IN CANADA PLEASE CHECK TO MAKE SURE THAT YOU HAVE A MODEL WITH THE US AND CANADIAN LISTING**



**MARK, AS SHOWN ABOVE:**

Mark as shown above means the oven complies with both US and CANADIAN Standards.

**TOOLS YOU WILL NEED**

The following tools are needed to install your new oven:

- Tape measure and straightedge or ruler
- Pencil
- Phillips screwdriver
- Level
- Wire cutters and wire stripper
- Hand or saber saw
- 1" (2,5cm) Hole saw
- Drill and drill bit
- Safety gloves and goggles
- Volt meter (0-250VAC)

**PACKAGING**

Remove all tape and packaging before using the oven.

Destroy the packaging after unpacking the oven following the rules in force in your town. Never allow children to play with packaging material.

**POWER REQUIREMENTS**

The oven must be supplied with the proper voltage and frequency. The oven is manufactured to be connected to a three-wire or four-wire, single phase, 120/240 Volt, 60 Hz AC electrical supply on a separate circuit fused on both sides of the line. If a 120/208 Volt circuit must be used, see Connecting to 120/208 Volt Circuit, in this manual. A circuit breaker or time delay fuse, sized not to exceed the circuit rating of the appliance specified on the rating plate located on the frame behind the door of the oven is recommended (see figure at page 5).

The oven must be supplied with copper or aluminum wires. If aluminum wire is provided to connect oven to branch circuit, UL listed connectors for joining copper and aluminum must be used. Follow instructions provided with connectors.

It is recommended that you have the electrical wiring and hook-up of your oven performed by a qualified electrician. After installation is complete have the electrician show you where the main disconnect is and which of the circuit breakers/fuses are for the oven.

**CHOOSING OVEN LOCATION**




Carefully select the location where the oven will be placed. The oven should be located for convenient use in the kitchen, but away from strong drafts.

Strong drafts may be caused by open doors or windows, or by heating and/or air conditioning vents or fans. Make sure that electrical power can be provided to the location selected.

**STEPS FOR INSTALLATION**

The following pages provide the necessary information for proper installation of the oven and are arranged as follows:

- Technical Data
- Installation Cutout Dimensions, Required Clearances and Mounting instructions for:
  - Under counter Installation, Single Oven
  - Wall Installation, Single Oven
  - Wall Installation, Double Oven
- Electrical Supply and Wiring Requirements, Programming required if connecting to 120/208 Volt Circuit. Electrical Connections for 3-wire or 4-wire Branch Circuit.
- Final Checklist

TECHNICAL DATA For cutout dimensions see following section titled: Preparing location			Electrical Ratings and Maximum Connected Load			
			@ 120/240 Volts 60Hz		@ 120/208 Volts 60Hz	
SINGLE OVEN			Amperes	kW	Amperes	kW
SOU330X			16,9	3,84	17,5	3,54
DOUBLE OVEN			Amperes	kW	Amperes	kW
	UPPER CAVITY	LOWER CAVITY				
DOU330X			33,8	7,68	32,4	6,48

## INSTALLATION NOTES

- Do not slide oven across floor. Damage to floor covering or floor could result.
- The oven support surface must be a minimum 3/4" (2cm) thick plywood platform.  
For single ovens, it must support 202 pounds.  
For double ovens, it must support 379 pounds. The platform must be solid, level and flush with the bottom of the cabinet cut out.
- Use extreme caution when moving or installing the oven. It is very heavy.  
DO NOT LIFT THE OVEN BY THE DOOR HANDLE, remove the door for easier handling and installing. See REMOVING THE DOOR in the maintenance section of the Use Care Manual.
- Be very careful when moving or installing the oven to avoid damage to the oven frame or damage to the cabinets.
- Be sure to level the oven. An oven that is not level may provide poor or inconsistent baking results.
- Be careful when placing oven. DO NOT pinch the conduit between the oven back.

### WARNING

Before installing or removing, turn power OFF at the service panel. Lock service panel to prevent power from being turned ON accidentally.  
Securely fasten oven to cabinet using the screws provided. Failure to do so could result in oven moving or tipping during use and causing damage to the oven or cabinets or personal injury.

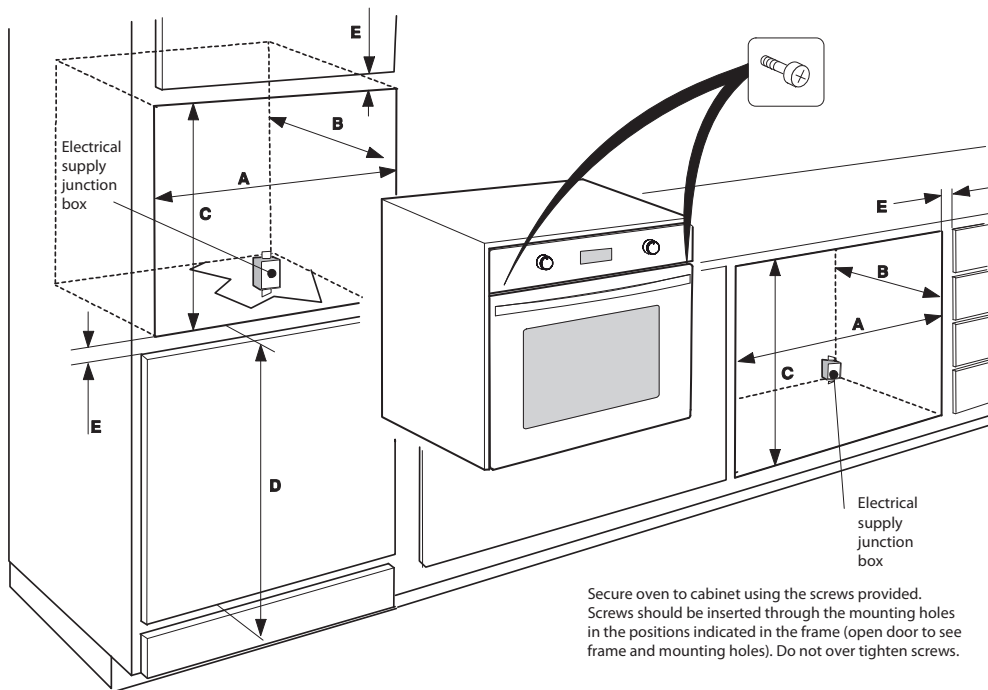
Know how to disconnect the power to the oven at the circuit breaker or fuse box in case of an emergency.

### CAUTION

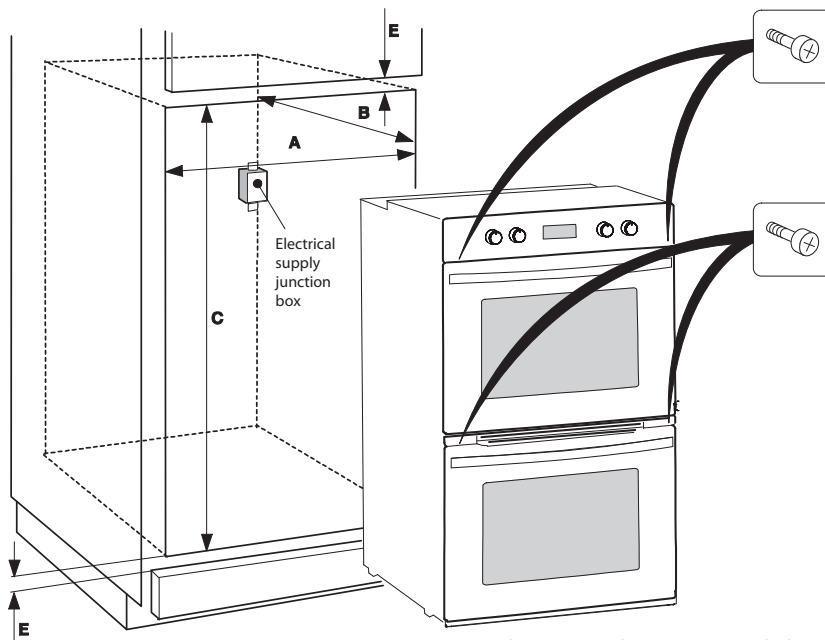
Unit is heavy and requires at least two people or proper equipment to move.

Ltr.	DIMENSION	SINGLE	DOUBLE
		30"	30"
A	Cutout Width	28 7/16" (72,2 cm)	28 7/16" (72,2 cm)
B	Cutout Depth	24" (61 cm)	24" (61 cm)
C	Cutout Height	27 3/8" (69,5 cm)	49 3/4" (126,5 cm)
D	Floor Bottom of Cutout	34" (86,5 cm)	N/A
E	Minimum Spacing	1/2" (1,3 cm) min	1/2" (1,3 cm) min

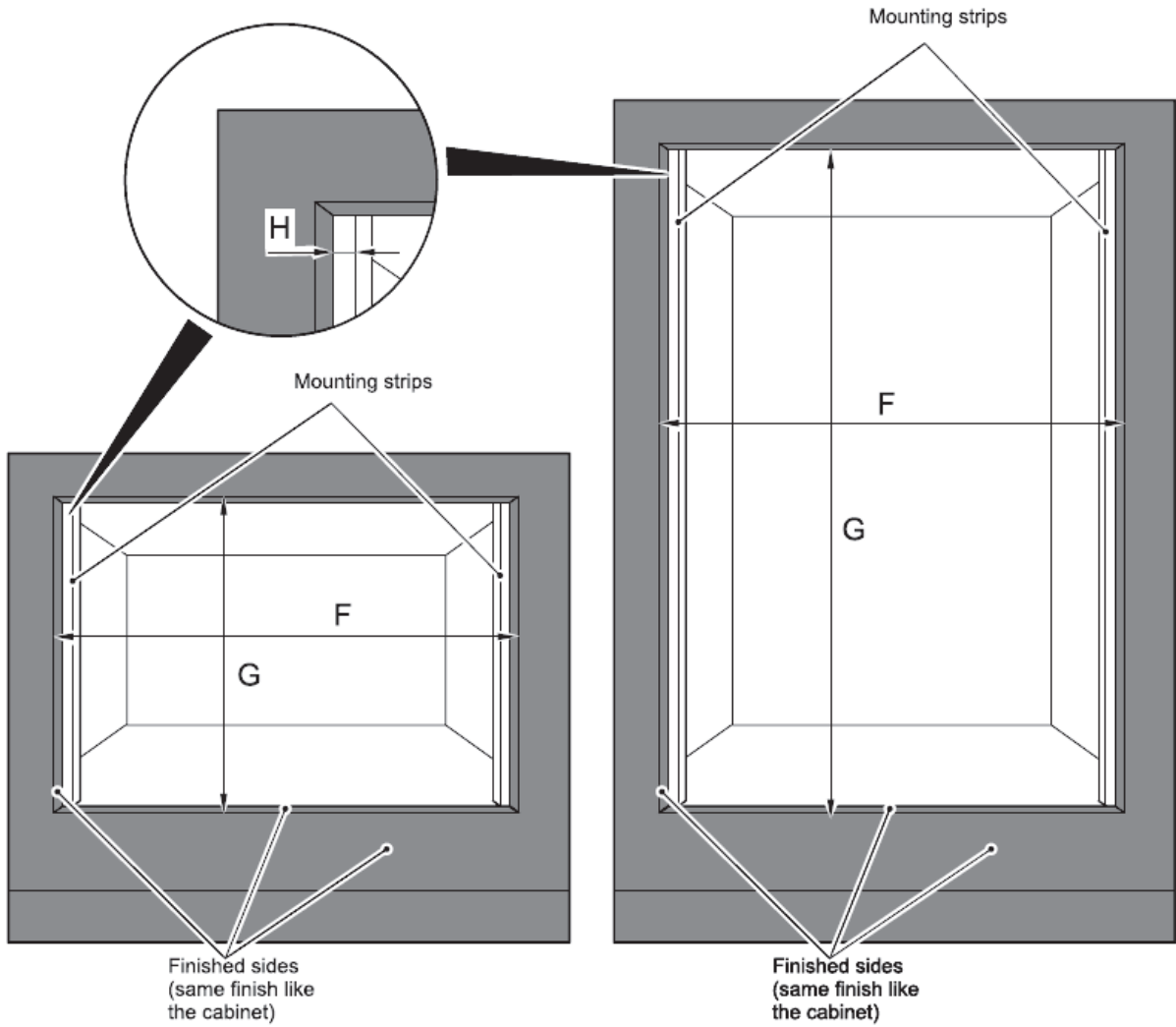
## WALL OR UNDER COUNTER INSTALLATION, SINGLE OVEN



## WALL INSTALLATION, DOUBLE OVEN



FLUSH INSTALLATION



114260B2

Ltr.	DIMENSION	SINGLE	DOUBLE
		30"	30"
F	Cutout Width	30 1/16" (76,4 cm)	30 1/16" (76,4 cm)
G	Cutout Height	28 1/32" (71,2 cm)	51" (129,5cm)
H	Visible part of the mounting strips	3/4" (1,9 cm)	3/4" (1,9 cm)

## ELECTRICAL SUPPLY

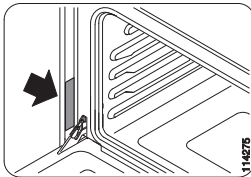
Before installing the oven have a qualified electrician verify that your home is provided with adequate electrical service and that the addition of the oven will not overload the branch circuit on which it is to be installed.

A separate three-wire or four-wire single phase, 240 Volt, 60 Hz, or a 208 Volt, 60Hz branch circuit is required.

NOTE : FOR USE WITH 208 V, 60 HZ SUPPLY VOLTAGE, SEE CONNECTING TO 208 VOLT CIRCUIT.

For hook-up of the oven you will need to have an approved junction box installed where it will be easily reached through the front of the cabinet where the oven will be located. The oven has 3 feet of conduit. Allow two to three feet of slack in the line so that the oven can be moved if servicing is ever necessary. DO NOT shorten the flexible conduit.

## Location of rating plate



## WIRING REQUIREMENTS

When making the wire connections, use the entire length of the conduit provided (3 feet). The conduit must not be cut.

Before making connections make sure the power is off and read and observe the following:

1. A separate three-wire or four-wire, single phase, 240 Volt, 60 Hz or 208 Volt, 60 Hz branch circuit is required for the oven.
2. The oven must be connected with Copper or Aluminum wire.
3. In the United States:  
Wiring must conform to the National Electrical Code, ANSI/NFPA No. 7 latest edition. You can obtain a copy of the National Electrical Code by writing to: National Fire Protection Association, Batterymarch Park Quincy, MA 02269  
In Canada:  
Wiring must conform to Canadian Electrical Code C22.1- latest edition. You can obtain a copy of the Canadian Electrical Code by writing to: Canadian Standards Association, 178 Rexdale Boulevard, Rexdale (Toronto), Ontario, Canada M9W 1R3
4. Wire size (Copper or Aluminum wire) and connections must be suitable for the rating of the appliance as per the National Electrical Code requirements. The flexible armored cable extending from the oven should be connected directly to the junction box.
5. The junction box should be located so as to allow as much slack as possible between the junction box and the oven so it can be moved if servicing is ever required.
6. A U.L. listed conduit connector must be provided at each end of the power supply cable.

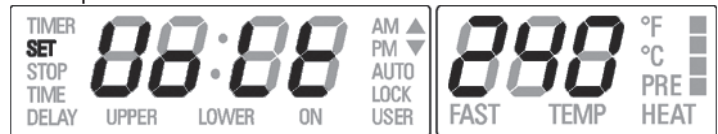
## CONNECTING TO 208 VOLT CIRCUIT

This option is provided for areas where standard 240 Volt service is not available. This option must be accessed with the oven connected to power source, and using the following sequence:

1. Within five minutes from power up, hold [OPTIONS] and [TIME] keys for 3 seconds to enter the user option menu. The display shows as follows:



2. Hold then [TIME] and [LIGHT] keys until the display becomes dark.
3. Hold [OPTIONS] and [LIGHT] further, until the time display shows "Volt" and temperature module shows "240" blinking, waiting for an input.



4. Using [INC] or [DEC] keys, the control toggles between 240V and 208V options. Hold "OPTIONS" to confirm.
5. Hold [TIME] and [LIGHT] keys in order to quit the selection.
6. Hold [OPTIONS] key for 3 seconds to quit the user option menu.

The voltage setting is stored and kept even after a long power-off.

### ⚠ WARNING

## ELECTRICAL SHOCK HAZARD

- The electrical power to the oven branch circuit must be shut off while line connections are being made.
- Do not use an extension cord with this appliance.
- Electrical ground is required on this appliance. The free end of the green wire (the ground wire) must be connected to a suitable ground. This wire must remain grounded to the oven.
- If cold water pipe is interrupted by plastic, non metallic gaskets, union connections or other insulating materials, DO NOT use for grounding.
- DO NOT ground to a gas pipe.
- DO NOT have a fuse in the NEUTRAL or GROUNDING circuit. A fuse in the NEUTRAL or GROUNDING circuit could result in an electrical shock.
- Check with a qualified electrician if you are in doubt as to whether the appliance is properly grounded.
- Failure to follow these instructions could result in serious injury or death.

### ⚠ CAUTION

Do not repair or replace any part of the appliance unless specifically recommended in the manual. All other servicing should be done by a qualified technician. This may reduce the risk of personal injury and damage to the oven.

Never modify or alter the construction of the appliance by removing panels, wire covers, screws, or any other part of the product.

## ELECTRICAL CONNECTIONS

**Be sure your appliance is properly installed and grounded by a qualified technician. Ask your dealer to recommend a qualified technician or an authorized repair service.**

This appliance is manufactured with a green GROUND wire connected to the oven chassis. After making sure that the power has been turned off, connect the flexible conduit from the oven to the junction box using a U.L. listed conduit connector. Figures A and B and the instructions provided below present the most common way of connecting the ovens. Your local codes and ordinances, of course, take precedence over these instructions. Complete electrical connections according to local codes and ordinances

**“WARNING” Risk of Electric Shock, frame grounded to neutral of appliance through a link.**

Grounding through the neutral conductor is prohibited for new branch-circuit installations (1996 NEC); mobile homes; and recreational vehicles, or in an area where local codes prohibit grounding through the neutral conductor. For installations where grounding through the neutral conductor is prohibited:

- Disconnect the ground from the neutral at free end of conduit;
- Use grounding terminal or lead to ground unit; and
- Connect neutral terminal or lead to branch circuit neutral in usual manner.

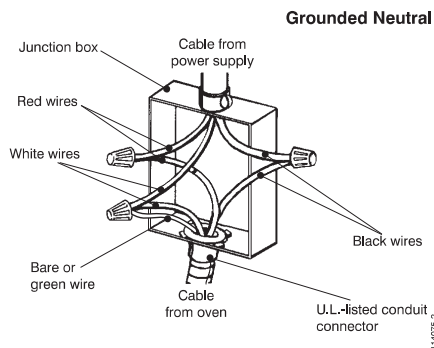


Figure A

## 3-WIRE BRANCH CIRCUIT (for US only)

Refer to Figure A, where local codes allow the connection of GROUND wire from the oven to the branch circuit NEUTRAL wire (gray or white colored wire):

- If local codes permit, connect the green GROUND wire from the oven and the white wire from the oven to the branch circuit NEUTRAL wire (gray or white colored wire).
- Connect the red and black leads from the oven to the corresponding leads in the junction box.

## 4-WIRE BRANCH CIRCUIT (for US and CANADA)

Refer to Figure B:

- Disconnect ground from neutral at free end of conduit.
- Connect the green GROUND wire from the oven to the GROUND wire in the junction box (bare or green colored wire).
- Connect the red and black leads from the oven to the corresponding leads in the junction box.
- Connect the white wire from the oven to the NEUTRAL (gray or white) wire in the junction box.

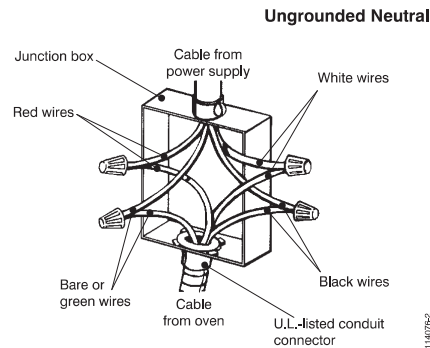


Figure B

## FINAL CHECKLIST

To prevent improper connections leading to damage of electrical components and so voiding the warranty, the following steps must be performed:

1. Check the electrical requirements and make sure you have the correct electrical supply and that the oven is properly grounded.
2. Turn on the power supply to the oven.
3. Check power at the junction box wires using a voltmeter having a range of 0-250 VAC.

If you have installed the oven for use on 240 Volt supply, you should find that the voltage reading between the black and red wires (Line to Line) should be 220 to 240 Volts.

If you have modified the oven(s) for use on 208 Volt, the voltage reading between the black and red wires should be 190 to 208 Volts.

4. Set the clock by following these steps:
  - Press [TIME] key twice until the display shows “SET TIME”.
  - Immediately press [INC] or [DEC] keys to set hours.
  - Press [TIME] key again to change minutes.

- Immediately press [INC] or [DEC] keys to set minutes, hold to change by ten (10) minutes step.
- Press [TIME] key or wait for a few seconds. Clock is now set.

5. Test the bake mode by following this step:

- Move cooking mode knob to “BAKE” position.
  - Cooling fan, oven lights, preheat led will turn on.
  - A beep is sounded when the oven reaches the preset 350 °F (175 °C) and the preheat light turn off.
  - Move the knob back to “OFF” position to stop cooking.
6. To check the other oven functions refer to the “Using the Oven Controls” section of the USE AND CARE MANUAL.
  7. If the oven is working properly, turn off the power supply to the oven.
  8. Place the cover on the junction box and make sure the cover is securely fastened and turn on the power to the oven.

**Leave these INSTALLATION instructions as well as the USE AND CARE MANUAL with the owner.**



