

1. IMPORTANT SAFETY INSTRUCTIONS 4
2. GENERAL INSTALLATION INSTRUCTIONS 5
3. PREPARING THE BUILT-IN OVEN 6
4. MAKING THE ELECTRICAL CONNECTION 7



NOTE: THIS APPLIANCE MUST BE INSTALLED SOLELY AND EXCLUSIVELY BY A QUALIFIED TECHNICIAN. ANY TECHNICAL PROCEDURES MUST BE CARRIED OUT BY AN AUTHORIZED TECHNICIAN.



INSTRUCTIONS FOR THE INSTALLER: *these are intended for the **qualified engineer** who is able to install, commission and test the appliance*

1. IMPORTANT SAFETY INSTRUCTIONS



READ AND SAVE THESE INSTRUCTIONS – Your safety and the safety of others are very important. We have provided many important safety messages throughout this manual and on the appliance. Read all the instructions before using the appliance and always obey all safety messages.



RECOGNIZE SAFETY INFORMATION

This is a safety alert symbol. This symbol alerts you to potential hazards that can kill or hurt you and others.

UNDERSTAND SIGNAL WORDS

A signal word – DANGER, WARNING, or CAUTION – is used with the safety alert symbol. DANGER denotes the most serious hazards. It means you can be killed or seriously injured if you do not immediately follow the instructions. WARNING means you can be killed or seriously injured if you do not follow the instructions. CAUTION indicates a potentially hazardous situation which, if not avoided, may result in minor to moderate injury.

All safety messages will inform you of potential hazards, on how to reduce the risk of injury and what can occur if the instructions are not followed.

IMPORTANT: Installation and grounding must comply with applicable codes. Observe all governing codes and ordinances.



WARNING

- This appliance is intended for use in the home only.
- Use this appliance only for its intended purpose. The manufacturer is not responsible for damage caused by improper use of this oven.
- This appliance complies with current safety regulations. Improper use of the appliance can result in personal injury and material damage.
- Read all the instructions before installing or using the oven for the first time.
- Keep these operating instructions in a safe place and pass them on to any future user.

SAVE THESE INSTRUCTIONS

2. GENERAL INSTALLATION INSTRUCTIONS

- **Proper installation is your responsibility.** Have a qualified technician install this oven. Make sure you have everything necessary for proper installation. It is the responsibility of the installer to comply with installation information specified on the model/serial ID plate. The model/serial ID plate can be found on the internal frame of the oven when the door is opened.
- **Have your oven installed and properly grounded by a qualified installer, in accordance with these installation instructions.** Grounding is mandatory according to the provisions of electrical safety codes. If this appliance is connected to an external electrical power supply, it must be grounded in compliance with local codes, or, if no local codes exist, in compliance with the national ANSI / NFPA 70 code of electrical regulations.
- Make sure that the voltage and frequency of the power supply line correspond to the information indicated on the model/serial ID plate. A multi-polar cut-out switch must be available on the supply line with a contact gap equal to or greater than 3 mm, located in an easily accessible position near the appliance.
- Do not attempt to repair or replace any part of your oven unless it is specifically recommended in this manual. All other service procedures should be performed by a qualified technician.
- This oven is not suitable for installation and operation in mobile homes or recreational vehicles.
- **Electrical grounding is required.** See the “Electrical Requirements” section. It is the customer’s responsibility:
 - To contact a qualified electrical installer,
 - To make sure that the electrical system is adequate and in compliance with the national ANSI / NFPA 70 ELECTRICAL CODE – latest edition – or the CANADIAN ELECTRICAL CODE, C22.11 – 1982 and C22.2 No. 01982 – or latest edition – and all local codes and ordinances. IMPORTANT: Observe all governing codes and ordinances.



3. PREPARING THE BUILT-IN OVEN



WARNING

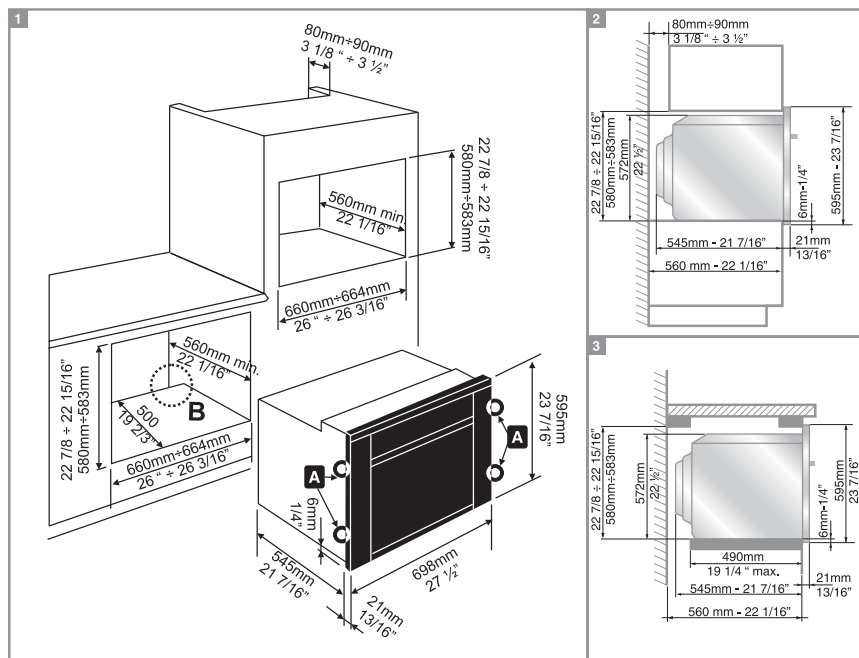
HEAVY WEIGHT HAZARD

- Have two or more people move and install the oven
- Failure to do so can result in back injury or other personal injuries.

The oven is designed for installation into any type of cabinetry as long as it is heat-resistant. Proceed according to the dimensions shown in Pictures 1, 2 and 3. For installing under a countertop, use the dimensions shown in Picture 3. For installing under a countertop beneath a cooktop with controls connected to the oven, ensure a minimum clearance from any side walls of at least 110 mm as shown in Picture 1.

For installing in a column, observe the dimensions shown in Picture 2 allowing for a clearance of 80 to 90 mm at the top and sides of the column. Tighten the four screws (ref. **A**) inside the frame to secure (Pic. 1).

For installing under a separate cooktop, allow for a rear and bottom clearance as shown in Picture 1 (ref. **B**). See instructions regarding fitting and securing the cooktop.



It is important to follow these instructions before and during oven installation:

- Decide on the final location of the oven. Locate the existing wiring to avoid drilling into or severing wiring during installation.
- To avoid damage to the floor, place the oven on cardboard prior to installation. Do not lift by the door handle or any part of the frame or trim.
- Remove the shipping materials and tape from the oven.
- Remove the appliance literature included with the packaging.
- Remove racks and other parts from inside the oven and set aside.
- Slide the oven on the cardboard close to the oven's final location.
- Remove the oven door (see paragraph "9.2 Removing the door" in the *Instructions for the User* booklet)

IMPORTANT: Use both hands to remove the oven door.



4. MAKING THE ELECTRICAL CONNECTION



ELECTRICAL SHOCK HAZARD

- Disconnect the power to the junction box before making the electrical connection,
- Electrically ground the appliance with green or green-yellow wire

FAILURE TO FOLLOW THESE INSTRUCTIONS COULD RESULT IN DEATH, FIRE OR ELECTRICAL SHOCK.

This appliance is manufactured with a yellow-green or green ground wire connected to the oven frame.

To prepare the connection between the oven and the junction box:

- Disconnect the power supply to the junction box.
- Feed the flexible cable conduit from the oven through the opening of the cabinet.
- Remove the junction box cover, if present.
- Install a UL-listed or CSA-approved conduit connector to the junction box.
- Route the flexible cable conduit from the oven to the junction box through a UL-listed or CSA-approved conduit connector.
- Tighten the screws on the conduit connector.
- Refer to pictures 1 and 2 below, which represent the most common way of making the electrical connection.

IMPORTANT: Any local codes and ordinances should be given priority over these instructions.



NOTE: Concerning grounding of the oven frame through the neutral wire. If a new installation conforming to 1996 NEC or if local codes do not permit grounding through the neutral wire, separate the neutral and ground wires that extend out of the oven cable and connect the ground wire to the grounding system in the standard manner. Connect the neutral wire or lead to the power supply's neutral cable:

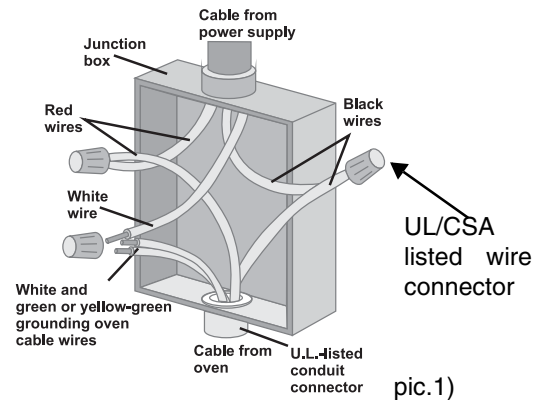
- Separate the ground and neutral wires at the free end of the oven cable.
- Connect the grounding lead or wire to grounding system, and
- Connect the neutral lead or wire to the neutral from the power supply in the standard manner (see pic. 2 below)



U.S. INSTALLATION ONLY – 3-WIRE GROUNDED JUNCTION BOX

Refer to **picture 1**, where local codes allow the connection of the oven frame grounding conductor to the power supply cable neutral wire (white wire):

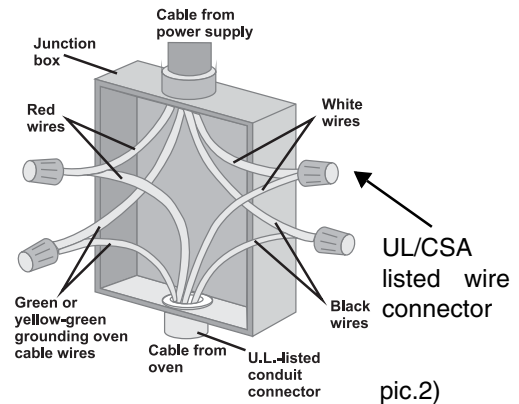
- The ground wire must be connected first;
- If local codes permit, connect the green or yellow-green ground wire from the appliance and the white wire from the appliance to the supply cable neutral wire (white wire).
- Connect the red and black wires of the appliance cable to the matching power supply cables in the junction box.



U.S. INSTALLATION AND CANADIAN INSTALLATION – 4-WIRE GROUNDED JUNCTION BOX

Refer to **picture 2**,

- Separate the green or yellow-green wires from the white wires that extend out of the end of the appliance cable.
- The ground wire must be connected first;
- Connect the green or yellow-green ground wire from the appliance to the grounded lead in the junction box (green wire). **Do not connect the frame grounding wire to the neutral wire in the junction box.**
- Connect the red and black wires of the appliance cable to the matching color wires in the junction box.
- Connect the white wire from the appliance cable to the neutral (white) wire in the junction box.



Connect to a 20A fuse or circuit breaker. Connect to copper wire, or, if connection is made to aluminum house wiring, use UL-listed or CSA-approved connectors that are approved for joining aluminum and copper wires.