

1. IMPORTANT SAFETY INSTRUCTIONS .....	4
2. COOKTOP MEASUREMENTS .....	6
3. POSITIONING THE COOKTOP AND LOCATION REQUIREMENTS .....	7
3.1 Mounting .....	9
4. ELECTRICAL CONNECTION .....	10



**NOTE: THIS APPLIANCE MUST BE INSTALLED SOLELY AND EXCLUSIVELY BY A QUALIFIED TECHNICIAN. ANY TECHNICAL PROCEDURES MUST BE CARRIED OUT BY AN AUTHORIZED TECHNICIAN.**



**INSTRUCTIONS FOR THE INSTALLER:** *these are intended for the **qualified engineer** who is able to install, commission and test the appliance*

## 1. IMPORTANT SAFETY INSTRUCTIONS



**READ AND SAVE THESE INSTRUCTIONS** – Your Safety And the Safety of Others Are Very Important. We have provided many important safety messages throughout this manual and on your appliance. Read all instructions before using your appliance and always obey all safety messages.



### RECOGNIZE SAFETY INFORMATION

This is a safety alert symbol. This symbol alerts you to potential hazards that can kill or hurt you and others.

### UNDERSTAND SIGNAL WORDS

A signal word – DANGER, WARNING, or CAUTION – is used with the safety-alert symbol. DANGER identifies the most serious hazards. It means you can be killed or seriously injured if you do not immediately follow the instructions. WARNING means you can be killed or seriously injured if you do not follow the instructions. CAUTION indicates a potentially hazardous situation which, if not avoided, may result in minor or moderate injury.

All safety messages will inform you of potential hazards, on how to reduce the risk of injury and what can occur if the instructions are not followed.

**IMPORTANT: Installation and grounding must comply with applicable codes. Observe all government codes and ordinances.**



**NOTE:** This cooktop is NOT designed for installation in manufactured (mobile) homes or for installation in Recreational Park Trailers.

**DO NOT install this cooktop outdoors.**



### WARNING

To reduce the risk of fire, electrical shock, injury to persons, or damage when installing the cooktop, some basic precautions must be followed, including:

- Read all instructions
- Proper installation is your responsibility. Have a qualified technician install and ground this appliance, in accordance with these installation instructions.
- It is the responsibility of the installer to comply with the installation clearances specified on the model/serial I.D. plate. The I.D. plate is located under the cooktop base.
- ELECTRICAL GROUNDING REQUIRED: See the “4. Electrical connection” section. It is the customer’s responsibility:
  - 1 To contact a qualified electrician to install the appliance
  - 2 To ensure that the electrical system is adequate and in conformance with the national **ANSI/NFPA 70 ELECTRICAL CODE – LATEST EDITION**, or the **CANADIAN ELECTRICAL CODE, C22.11 – 1982 and CAN/CSA C22.2 No. 61 (or latest edition)**, and all local codes and ordinances.
- Before you plug in the electrical cord, make sure that all the controls are in the OFF position.
- Never modify or alter the construction of the appliance.
- 

**CAUTION:** This unit is designed as a cooking appliance. Based on safety considerations, never use it for warming or heating a room.

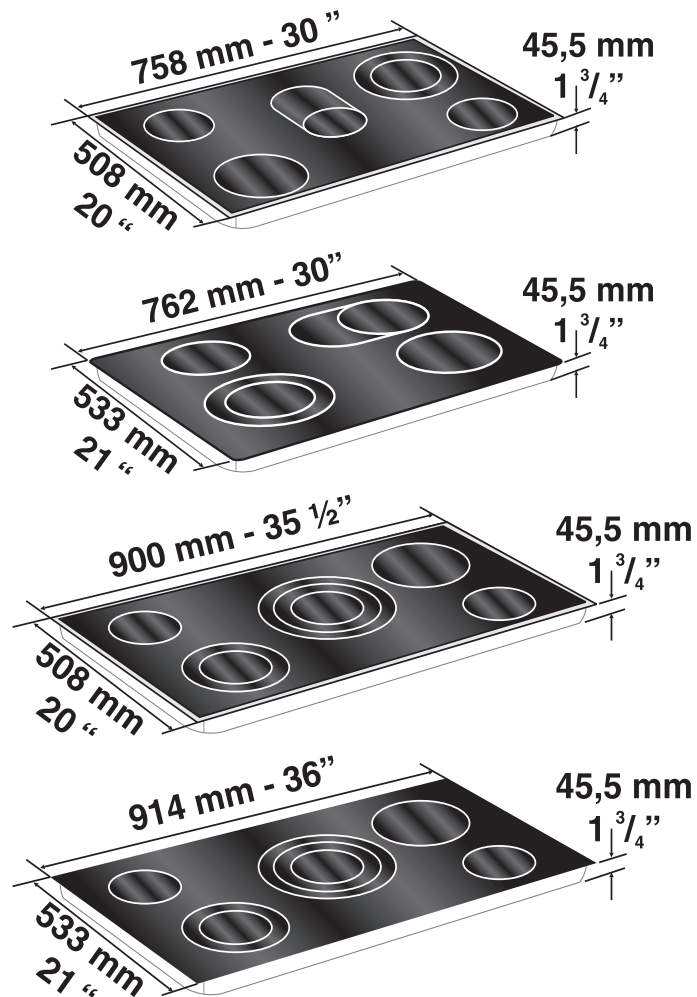
- Immediately after installation inspect the appliance, following the instructions in this booklet. If the appliance doesn’t work properly, disconnect it from the electrical power supply and call the technical assistance center. **Do NOT attempt to repair the appliance.**
- Any adjustment and servicing must only be performed by qualified cooker installers or service technicians.
- Do not leave the packaging in the home. Separate the various waste materials and take them to the nearest specialized waste collection facility.



### SAVE AND KEEP THIS BOOKLET



## 2. COOKTOP MEASUREMENTS



**NOTE:** Observe all governing codes and ordinances.

Some cabinet and building materials are not designed to withstand the heat produced by the cooktop. Check with your builder or cabinet supplier to make sure that the materials used will not discolor, delaminate or sustain other damage.

Cabinet opening dimensions that are shown must be used. Given dimensions are minimum clearances. When installing a range under existing cabinets and the installation does not satisfy the minimum cabinet clearances, install a range hood above the cooktop to avoid burn hazards.



## 3. POSITIONING THE COOKTOP AND LOCATION REQUIREMENTS



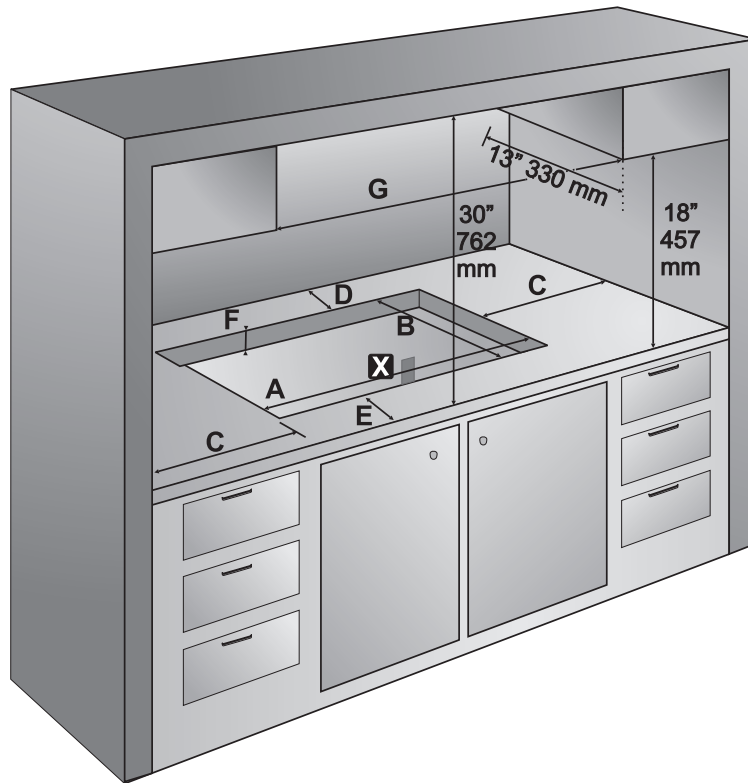
**NOTE:** The following operation requires building and/or carpentry work and must therefore be carried out by a competent technician.

Installation can be carried out on various material, such as masonry, metal, solid wood, plastic laminated wood etc. As long as they are heat resistant (T = 90°C - 194° F).

Observe all governing codes and ordinances. Do not obstruct flow or combustion and ventilation air.

- It is the responsibility of the installer to comply with installations guidelines specified on the model/serial I.D. plate. The model/serial I.D. plate is located on the bottom of the cooktop burner box.
- The cabinet opening dimensions that are shown must be used. Given dimensions are minimum clearances.
- A grounded electrical supply is required. See the "4. Electrical connection" section.

The measurements in the tables referring to the figure below must be followed when attaching the appliance to the support structure.





**MODEL WITH FRAME**

Cooktop width	MINIMUM DISTANCE						
	A	B	C	D	E	F	G
30"	29 1/2"	19 11/16"	5 11/16"	2"	2"	13/16" - 1 9/16"	30"
758 mm	750 mm	500 mm	145 mm	50 mm	50 mm	20 - 40 mm	758 mm
36 "	35 1/8"	19 11/16"	5 11/16"	2"	2"	13/16" - 1 9/16"	36 "
900 mm	892 mm	500 mm	145 mm	50 mm	50 mm	20 - 40 mm	900 mm

**MODEL WITHOUT FRAME**

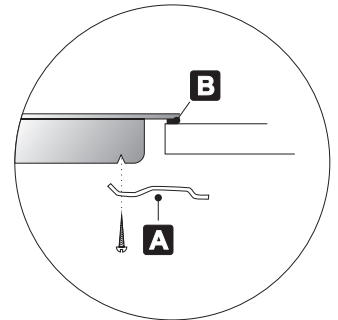
Cooktop width	MINIMUM DISTANCE						
	A	B	C	D	E	F	G
30 "	28 3/8"	19 1/16"	5 11/16"	2"	2"	13/16" - 1 9/16"	30 "
762 mm	721 mm	485 mm	145 mm	50 mm	50 mm	20 - 40 mm	762 mm
36 "	33 "	19 1/16"	5 11/16"	2"	2"	13/16" - 1 9/16"	36 "
914 mm	863 mm	485 mm	145 mm	50 mm	50 mm	20 - 40 mm	914 mm



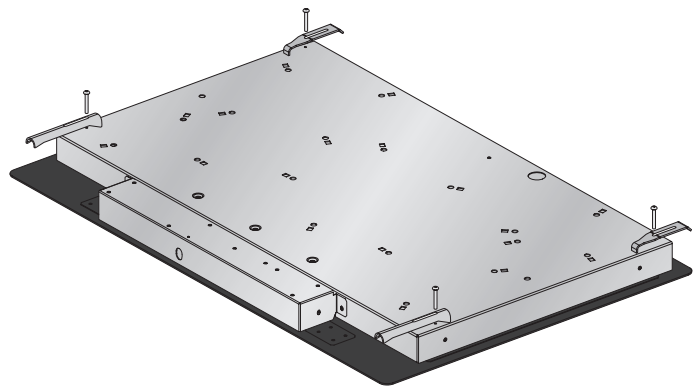
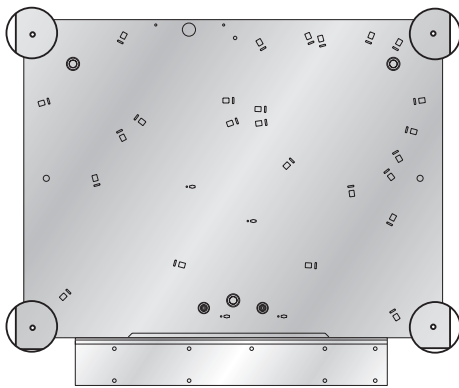
## 3.1 Mounting

Before mounting the device to the unit, lay the provided adhesive sponge onto the glass surface to separate it from the unit.

After fixing the provided adhesive sponge (B) to the glass, mount the device to the unit using the mounting brackets (A) provided, as shown in the figure.



When fixing the cooktop to the cabinet, use only the holes provided, as illustrated here.



**NOTE:** This appliance must not be built-in above a dishwasher.  
Installation of an oven without a cooling fan underneath the cooktop is forbidden.



Pass the power supply cable through the back of the unit, making sure that it does not touch the bottom casing of the cooktop or the oven (if any) installed below it.



## 4. ELECTRICAL CONNECTION

### ELECTRIC SHOCK HAZARD



- Disconnect power to the junction box before making connection
- Electrically ground the appliance with green or green-yellow colored wire
- Do not ground to a gas pipe
- Check with a qualified electrician if you are not sure that the range is grounded
- Do not have a fuse in the neutral or ground circuit

**FAILURE TO FOLLOW THESE INSTRUCTIONS COULD RESULT IN DEATH, FIRE OR ELECTRICAL SHOCK.**



Make sure that the voltage and capacity of the power line conforms to the data shown on the I.D. plate located under the casing. **Do not remove this plate for any reason.**

If codes permit and a separate ground wire is used, it is recommended that a qualified electrician determine that the ground path is adequate.

When a four-wire or three-wire, single-phase, 120/240-volt, 60 Hz, AC-only, electrical supply is available, a 50 ampere maximum circuit protection is required (or, if specified on the model/serial I.D. plate, when a four-wire or three-wire, single-phase 120/208-volt, 60 Hz, AC-only electrical supply is available, a 40-ampere maximum circuit protection is required), fused on both sides of the line. A time-delay fuse or circuit breaker is recommended. The model/serial I.D. plate is located on the drawer.

Wire size and connections must conform to the requirements of the National Electrical Code, ANS/NFPA 70 – Latest edition (\*) or CAN/CSA Standard C22.1, Canadian Electrical code, Part 1 – Latest edition (\*\*) and all local codes and ordinances for the kilowatt rating of the range.

Copies of the standards listed may be obtained from:

(\*) National Fire Protection Association Batterymarch Park – Quincy, Massachusetts 02269;

(\*\*) CSA International 8501 East Pleasant Valley Road Cleveland, Ohio 44131-5575 .

This appliance is manufactured with a yellow-green ground wire connected to the appliance frame. After making sure that the power has been turned off, connect the flexible conduit from the appliance to the junction box using a U.L. listed conduit connector. **Picture 1** and **Picture 2** and the instructions provided below are the most common way of connecting the appliance.

Your local codes and ordinances, of course, take precedence over these instructions. Complete electrical connections according to local codes and ordinances.

This cooktop must be connected to a grounded, metallic, permanent wiring system, or a ground connector should be connected to the ground terminal or wire lead on the cooktop.

Connection at connection block must be copper wire only.





# Instructions for the Installer



**NOTE:** Use this method only if local codes allow connecting the cabinet ground conductor to the neutral wire of the power supply cord

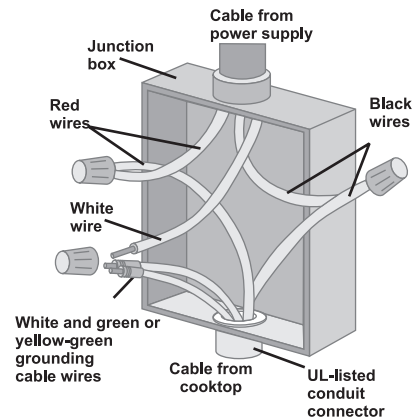
## WARNING ELECTRIC SHOCK HAZARD



- Turn power supply off before connecting wires.
- Electrically ground the range.
- Failure to follow these instructions can result in death, fire, or electrical shock.
- Improper connection of the device-grounding conductor can result in a risk of electric shock. Check with a qualified electrician or serviceman if you are in doubt as to whether the appliance is properly grounded. Do not modify the power supply cord. If it will not fit in the outlet, have a proper outlet installed by a qualified electrician.

Refer to **picture 1**, where local codes allow the connection of the appliance's ground wire to the branch circuit neutral wire (white colored wire):

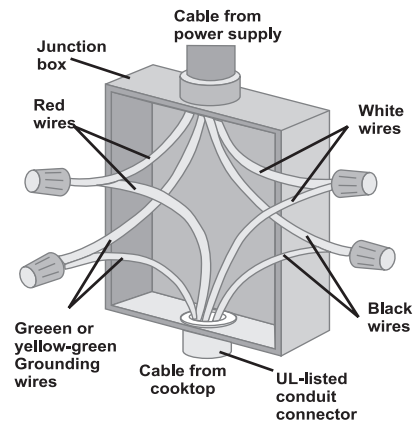
- The ground wire must be connected first;
- If local codes permit, connect the green or yellow-green ground wire from the appliance and the white wire from the appliance to the branch circuit neutral wire (white colored wire).
- Connect the red and gray leads from the cooktop to the junction to the corresponding leads in the junction box.



pic.1)

Refer to **picture 2**,

- The ground wire must be connected first;
- Connect the green or yellow-green ground wire from the appliance to the ground in the junction box (green colored wire). **Do not connect the grounding wire to the neutral wire in the junction box.**
- Connect the red and gray leads from the appliance to the corresponding leads in the junction box.
- Connect the white wire from the appliance to the neutral (white colored) wire in the junction box.



pic.2)



**NOTE:** Both power cables coming out of the cooktop, must be connected according to the diagrams shown in pictures 1 and 2