

COLUMN CONTENTS

- 1 Filler, door bottom

OVER-AND-UNDER CONTENTS

- 1 Filler, door bottom
- 2 Filler, door bottom (French door only)
- 1 Filler, drawer bottom

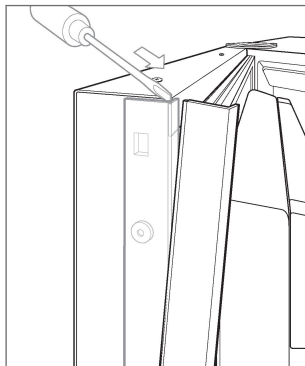
SIDE-BY-SIDE CONTENTS

- 2 Filler, door bottom

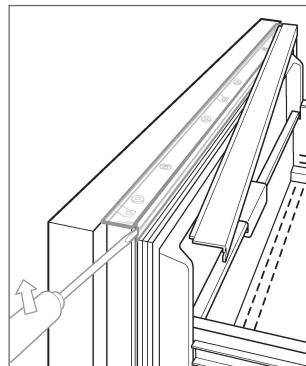
Note: The existing grille panel must be reduced in height by 1 1/2".

CLASSIC SERIES OVERLAY PANEL RETROFIT INSTALLATION

- 1 Insert a flat screwdriver into the corner slot of the screw cover and pop it out.



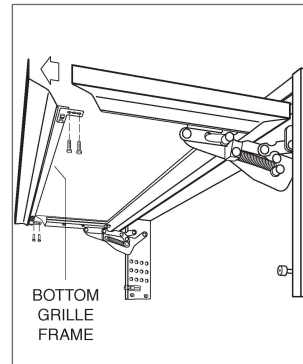
Door Screw Cover



Drawer Screw Cover

- 2 Remove the screws, then remove the door/drawer trim.
- 3 Install the bottom filler on each door/drawer.
- 4 Install the existing door/drawer panels.
- 5 Install the top trim and screw cover.

- 6 Remove the bottom grille frame by removing the two lower corner screws from each side of the grille assembly.



- 7 Install the existing (height reduced) grille panel.
- 8 Install the bottom grille frame using the existing screws.

