

# Electric and Induction Ranges

## Installation Instructions

### Slide-In Ranges

HEI8054C, HEI8054U, HEIP054C, HEIP054U, HIIP054C, HIIP054U



**BOSCH**

Invented for life





---

# Table of Contents

<b>Safety Definitions</b> .....	<b>1</b>	<b>Testing Operation</b> .....	<b>15</b>
<b>Safety</b> .....	<b>1</b>	<b>Service</b> .....	<b>16</b>
<b>Preparation</b> .....	<b>3</b>	Before Calling Service .....	16
<b>Before You Begin</b> .....	<b>3</b>		
Tools and Parts Needed .....	3		
Parts Included .....	3		
Additional Parts Needed for Hard-Wired Installations .....	3		
Remove Packaging .....	3		
<b>Installation Checklist</b> .....	<b>3</b>		
<b>General Information</b> .....	<b>4</b>		
Overall Dimensions .....	4		
Location Level and Plumb .....	4		
Installation Hints .....	4		
Electrical Requirements .....	4		
<b>Cabinet Requirements</b> .....	<b>5</b>		
Install Ventilation .....	5		
Required Clearance .....	5		
Prepare Walls and Floor .....	6		
Countertop Requirements .....	6		
<b>Installation Procedure</b> .....	<b>7</b>		
<b>Installation of the Anti-Tip Bracket</b> .....	<b>7</b>		
<b>Electrical Connection</b> .....	<b>7</b>		
Connect Flexible Conduit .....	10		
Complete the installation .....	11		
Removing the Oven Door .....	13		
Replacing the Oven Door .....	14		
Removing the Warming Drawer .....	15		
Replacing the Warming Drawer .....	15		

This Bosch Appliance is made by  
BSH Home Appliances Corporation  
1901 Main Street, Suite 600  
Irvine, CA 92614

Questions?

1-800-944-2904

[www.bosch-home.com/us](http://www.bosch-home.com/us)

We look forward to hearing from you!



# ⚠ IMPORTANT SAFETY INSTRUCTIONS

READ AND SAVE THESE INSTRUCTIONS

## Safety Definitions

### ⚠ WARNING

This indicates that death or serious injuries may occur as a result of non-observance of this warning.

### ⚠ CAUTION

This indicates that minor or moderate injuries may occur as a result of non-observance of this warning.

**NOTICE:** This indicates that damage to the appliance or property may occur as a result of non-compliance with this advisory.

Note: This alerts you to important information and/or tips.

## Safety

### ⚠ WARNING

If the information in this manual is not followed exactly, fire or shock may result causing property damage or personal injury.

### ⚠ WARNING

Do not repair or replace any part of the appliance unless specifically recommended in the manuals. Improper installation, service or maintenance can cause injury or property damage. Refer to this manual for guidance. All other servicing should be done by a qualified technician.

- **Ask your dealer to recommend a qualified technician and an authorized repair service.**
- **Install only per the installation instructions provided in the literature package accompanying this range.**
- **Never modify or alter the construction of the range including by removing leveling legs, panels, wire covers, anti-tip brackets or screws, or any other part of the appliance.**

**PLEASE READ ALL INSTRUCTIONS BEFORE USING THIS APPLIANCE.**

### ⚠ WARNING

#### TIP OVER HAZARD!

A child or adult can tip the range over and be killed. Verify that the anti-tip bracket is securely installed. Ensure the anti-tip bracket is engaged whenever the range is moved to a new location.



Do not operate the range without the anti-tip bracket in place. Failure to follow the instructions in this manual can result in death or serious burns to children and adults.

Check for proper installation and use of the anti-tip bracket. Carefully tip the range forward pulling from the back to ensure that the anti-tip bracket engages the range leg and prevents tip-over. Range should not move more than 1" (2.5 cm).

### Appliance Handling Safety

#### ⚠ CAUTION

- Unit is heavy and requires at least two persons or proper equipment to move.
- Hidden surfaces may have sharp edges. Use caution when reaching behind or under appliance.
- Do not use the oven or warming drawer (if equipped) for storage.

Do not lift appliance by the oven door handle. Remove the oven door for easier handling and installation. See the section "Removing the Oven Door" in the range Use and Care manual.

### Disposing of Packaging Materials

Remove all tape and packaging before using the range. Properly dispose of the carton and plastic bags after unpacking the range. Never allow children to play with packaging materials.



# IMPORTANT SAFETY INSTRUCTIONS

READ AND SAVE THESE INSTRUCTIONS

## Safety Codes and Standards

This appliance complies with one or more of the following Standards:

- UL 858, Household Electric Ranges
- CAN/CSA-C22.2 No. 61 Household Cooking Ranges

It is the responsibility of the owner and the installer to determine if additional requirements and/or standards apply to specific installations.

## Installation Location

To eliminate the risk of burns or fire by reaching over heated surface units, cabinet storage space located above the surface units should be avoided. If cabinet storage is to be provided, the risk can be reduced by installing a hood that projects horizontally a minimum of 5" (12.7 cm) beyond the bottom of the cabinet.

Verify that cabinets above the range are a maximum of 13" (330 mm) deep.

## Child Safety

Do not store items of interest to children in the cabinets above the range or on the backguard of a range. Children climbing on the range to reach items could be seriously injured.

## Electric Safety

Before you plug in an electrical cord, be sure all controls are in the OFF position.

Be sure your appliance is properly installed and grounded by a qualified technician in accordance with the National Electrical Code ANSI/NFPA 70 latest edition and local electrical code requirements.

Local codes vary. Installation, electrical connections and grounding must comply with all applicable codes.

For appliances equipped with a cord and plug, do not cut or remove the ground prong. It must be plugged into a matching grounding type receptacle to avoid electrical shock. If there is any doubt as to whether the wall receptacle is properly grounded, the customer should have it checked by a qualified electrician.

If required by the National Electrical Code (or Canadian Electrical Code), this appliance must be installed on a separate branch circuit.

Only a power supply cord kit rated for this appliance and marked "for use with ranges" shall be used.

**Installer** - show the owner the location of the circuit breaker or fuse. Mark it for easy reference.

**Important** - Save these instructions for the local electrical inspector's use.

Before installing, turn power OFF at the service panel. Lock service panel to prevent power from being turned ON accidentally.

Refer to data plate for more information. See "Data Plate" under "Service" for data plate location.

---

## WARNING

---

### State of California Proposition 65 Warnings:

This product contains chemicals known to the State of California to cause cancer, birth defects or other reproductive harm.

---

**IMPORTANT SAFETY NOTICE:** The California Safe Drinking and Toxic Enforcement Act requires the Governor of California to publish a list of substances known to the state to cause cancer, birth defects or other reproductive harm, and requires businesses to warn customers of potential exposure to such substances.

---

# Preparation

## Before You Begin

### Tools and Parts Needed

- 40 or 50 Amp power supply cord kit with strain relief (depending on local code).  
**Note:** Not necessary for Canadian installations, cord is preinstalled at factory.
- Measuring Tape
- Phillips Head Screwdriver
- 1¼" Wrench
- Pencil
- T-20 Torx Screwdriver
- Screws (2) and Anchors (2) for Anti-Tip Bracket (Style will vary depending on mounting surface)
- Level
- Drill and Drill Bit (3/16" masonry bit for concrete screws)
- Soapy Water
- Safety Gloves and Goggles
- Cloth or Cardboard (Optional - to Protect Floor)

### Parts Included

- Anti-Tip Bracket
- 2 wood screws
- 2 anchorless concrete screws
- Foam Tape (unless already installed on underside of cooktop sides)
- Terminal lugs (for use with hard-wired installations)  
**Note:** Terminal lugs are not necessary for Canadian installations.

### Additional Parts Needed for Hard-Wired Installations

- Flexible conduit
- Torque wrench

**Note:** Power supply cord kit is not necessary for hard-wired installations.

### Remove Packaging

- If straps are present, cut the straps.
- Cut plastic down back of unit making sure not to cut the unit.
- Remove plastic film.
- Lift cardboard around the top portion of the unit, off of the unit.

- Remove cardboard corner posts, making sure that any posts or other packaging materials running between corner posts are also removed.
- Remove all internal packaging and tape.
- Leave bottom of packaging in place until it is close to the cabinet opening for the range.

## Installation Checklist

Please refer to the pages following for complete installation instructions. Use this checklist to verify that you have completed each step of the installation process. This can help you avoid mistakes.

- \_\_\_ 1. Before installing the range, be sure to verify the cabinet dimensions are correct for your unit and that the required electrical connections are present.
- \_\_\_ 2. Refer to the installation manual for content regarding Safety, Cabinet Dimensions, Removing Packaging, Electrical Installation, Testing the Installation and Customer Service.
- \_\_\_ 3. Removing the oven door and warming drawer prior to installation reduces the unit weight and makes the range easier to move. Additionally, the removal of the oven door provides access to handhold for lifting.
- \_\_\_ 4. Move the range unit into place in front of the installation opening, leaving the bottom packaging on the unit to avoid damaging flooring.
- \_\_\_ 5. Plug the range into a properly configured receptacle.
- \_\_\_ 6. Protect the flooring from damage, then lift the range off of the bottom packaging and slide the range all the way into place, making sure to route the power cord correctly.
- \_\_\_ 7. Reinstall the oven door and warming drawer removed in step 3 above.
- \_\_\_ 8. Consult the complete installation instructions and follow the remainder of the procedures listed, including performing an operation test.

# General Information

## Overall Dimensions

Dimension	Inches	Centimeters
Height	36½" - 38"	92.7 cm - 96.6 cm
Width	31½"	80 cm
Depth	26¾"	68.1 cm

## Location Level and Plumb

For best results, cabinets, countertops, walls and floors in the installation location should be as level and plumb as possible. Variance may cause damage to countertops and floors during installation, and may adversely affect cooking and baking performance.

## Installation Hints

To make the range lighter and easier to handle during installation, remove the range oven door and warming drawer (see "Removing the Oven Door" on page 13).

If the warming drawer is not removed, then tape must be placed securely on the warming drawer before installation to prevent it from opening while the range is being installed.

Place a piece of cardboard or cloth under the range during installation to protect floors.

## Electrical Requirements

Refer to data plate for more information. See the product "Data Plate" in the section on Service in this manual.

We recommend that the range be installed with a power cord set (not supplied with U.S. models). The electrical rating of the power cord set must be 120/240 volt, 40 amperes minimum. The power cord set must be marked "For Use with Ranges." Always use a new power cord.

Verify that wiring to the house is adequate. Contact your local utility company to verify that the present electric service to your home is adequate. In some instances, the size of the wiring to the house and service switch must be increased to handle the electrical load demanded by the range.

Some wiring codes require a separate circuit with separate disconnect switch and fuses either in the main entrance panel or in a separate switch and fuse box.

The range requires a minimum of a three-wire 120/240 or 120/208 volt, 40 - 50 amp, 60 Hz AC circuit. Check local codes for proper amperage ratings. A four-wire connection is preferred. Most local building regulations and codes require that electrical wiring be done by licensed electricians. Be sure to install your range according to the

electric codes in your region.

## Electrical kW Rating

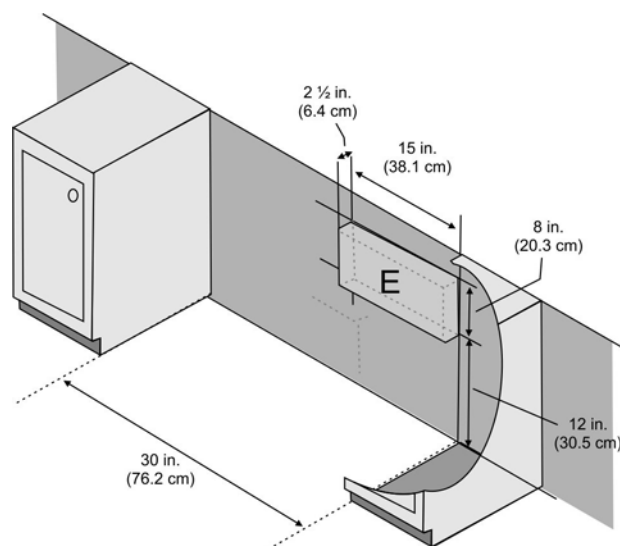
Ranges are dual rated for use on either 120/240 VAC or 120/208 VAC. Check the data plate for the kW rating. Reference the kW rating in the table below to determine amperage requirements.

VOLTS A/C	HZ	RATING KW	CIRCUIT BREAKER
120/240	60	13.0	40 or 50 amps*
120/240	60	13.8	40 or 50 amps*
120/208	60	9.8	40 or 50 amps*
120/208	60	10.4	40 or 50 amps*

\* Varies by location. Check local codes.

## Electric Outlet Location

A flush mount 208/240 VAC dedicated circuit outlet is required. Use the diagram below to make sure your installation is properly prepared for the range. Note the available space for the electrical outlet is shown in box (E) in the illustration following.

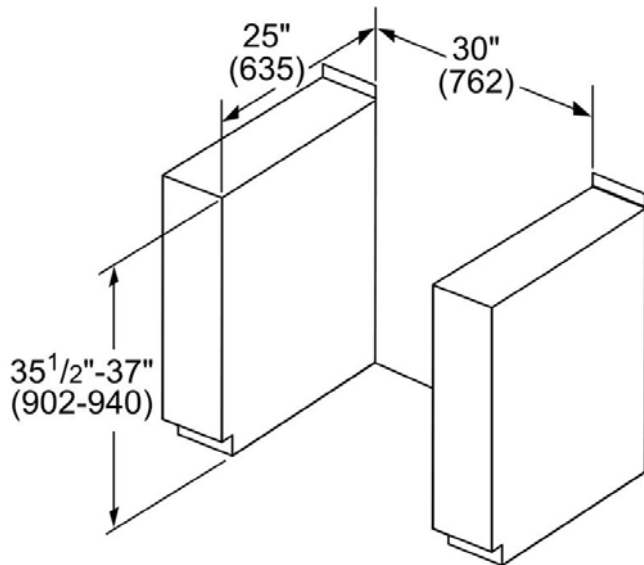




# Cabinet Requirements

This unit is designed for installation near adjacent walls and projecting surfaces constructed of combustible materials. Prepare the countertop and cabinets.

Allow a minimum of 30" (76.2 cm) between cabinets where range is to be installed. No side clearance is required. Height is set by adjusting the range legs (see later section, "Complete the installation" on page 11).



**Note:** The slide-in range can also replace a freestanding range. In this case, verify that the opening is at least 30" (76.2 cm).

## Install Ventilation

Bosch strongly recommends the installation of a ventilation hood above this range. For most kitchens, a certified hood rating of not less than 300 CFM is recommended. The range hood must be installed according to instructions furnished with the hood.

## Required Clearance

These instructions were determined using standard American cabinets. Standard base cabinets measure 36" (91.4 cm) high x 25" (63.5 cm) deep. Cabinets over the cooking surface and cabinets adjacent to those over the cooking surface measure 13" (33 cm) deep from backwall. If nonstandard cabinets are used, care should be taken to alter dimensions accordingly.

### ▲ WARNING

To eliminate the risk of burns or fire by reaching over heated surface units, cabinet storage space located above the surface units should be avoided. If cabinet storage is to be provided, the risk can be reduced by installing a hood that projects horizontally a minimum of 5" (12.7 cm) beyond the bottom of the cabinet.

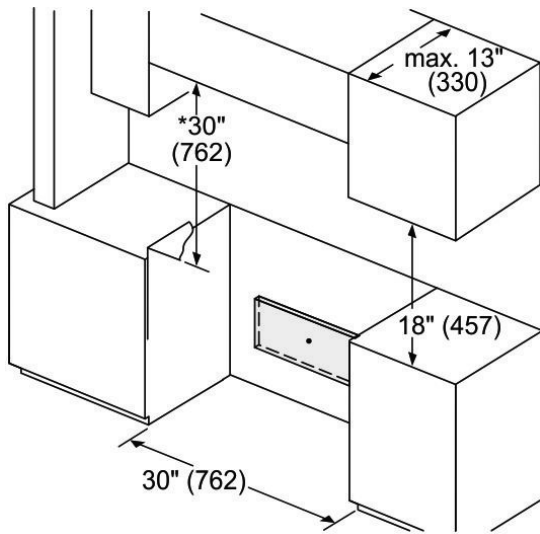
### From cooktop to materials above:

- There must be a minimum clearance of 30" (762 mm) between the top of the cooking surface and the bottom of an unprotected wood or metal cabinet.
- Bosch recommends the minimum clearances shown in the installation diagrams contained in this manual. Clearances from non-combustible materials are not certified by CSA. Clearances less than shown in the installation diagrams must be approved by local codes and/or by the local authority having jurisdiction.

### From the cooking surface to side materials:

No clearance is required from unit walls to adjacent vertical combustible walls on rear, right or left.

**Note:** Some cabinet finishes cannot survive the temperatures allowed by safety standards, particularly self-cleaning ovens; the cabinets may discolor or stain. This is most noticeable with laminate cabinets.



measurements in inches (mm)

\* Minimum clearance of 30" required to overhead combustible surface. If installing overhead vent or over-the-range microwave, refer to clearances provided with these products.

**Flame retardant materials bear the mark:**

UNDERWRITERS LABORATORIES INC. CLASSIFIED MINERAL AND FIBER BOARDS SURFACE BURNING CHARACTERISTICS, followed by the flame spread and smoke ratings. These designations are shown as "FHC (Flame Spread/Smoke Developed)". Materials with "O" flame spread ratings are flame-retardant. Local codes may allow other flame spread ratings. It is the responsibility of the installer to ensure installation is in accordance with these ratings.

**Prepare Walls and Floor**

Seal any holes in the walls or floor. Remove any obstructions (extra electrical or gas connections, etc.) so that range will rest against wall properly.

**Countertop Requirements**

Countertops must be smooth and level.

# Installation Procedure

## Installation of the Anti-Tip Bracket

### ⚠ WARNING

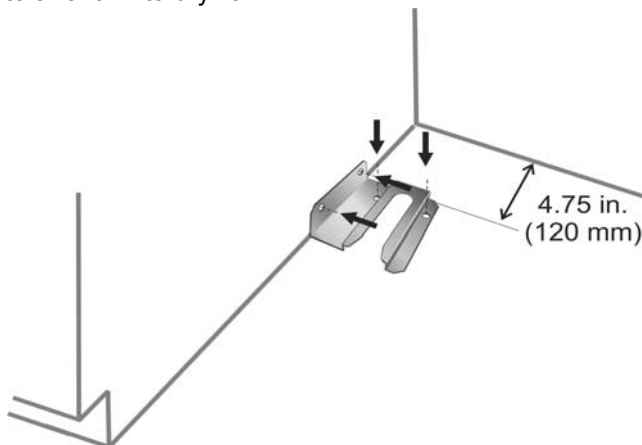
A child or adult can tip the range over and be killed. Verify that the anti-tip bracket is securely installed. Ensure the anti-tip bracket is engaged when the range is moved.



The range can tip forward, potentially causing injury and damage, if the anti-tip bracket is not properly installed. Do not operate the range without the anti-tip bracket in place.

### Steps to Install the Anti-Tip Bracket

1. Adjust height of range to match countertop height and level it by rotating the adjustable leg supports on the bottom of the range, using a 1¼" wrench.
2. Position the bracket as shown below in the back left corner of the installation opening, against the back wall and the left cabinet wall. Mount the bracket using two screws into either the floor or the base of the adjacent cabinet. **Note:** The mounting surface must be secure. When mounting to the cabinet wall make sure the screws engage the frame of the cabinet, not the thin wall of the cabinet only. Do not use a block or spacer to fill a gap between the anti-tip bracket and the cabinet wall.
3. Secure the bracket with two screws to the floor or to the base of the cabinet wall. Depending on the floor or cabinet material, use wood or anchorless concrete screws (included). Concrete screws require the use of a 3/16" masonry bit. Screws should provide firm attachment into solid wood or flooring. Do not attempt to anchor into drywall.



## Electrical Connection

The range may be connected using an electric range cord (as specified in the Electrical Requirements section preceding) or using a flexible conduit electrical connection.

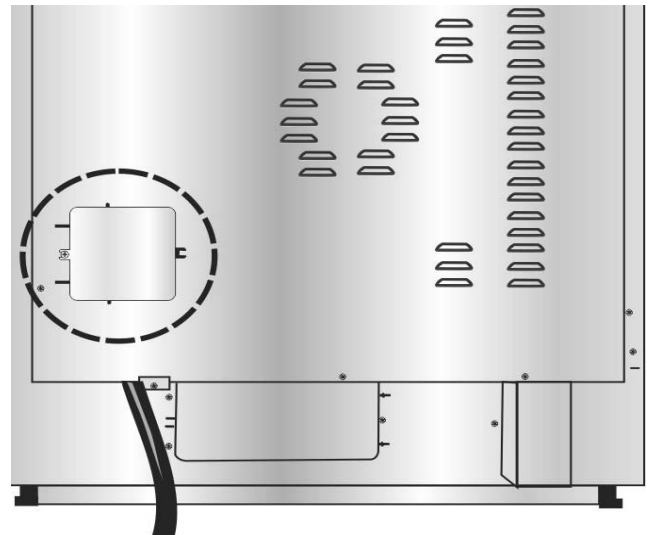
### ⚠ WARNING

Do not use an extension cord. If the power supply cord is too short, have a qualified electrician install an outlet near the appliance.

**Note:** In Canada, the range is shipped from the factory with the range cord already installed. Continue to "Complete the installation" on page 11.

**Note:** It is recommended that only qualified persons add a power cord or make electrical connections to this appliance.

For installations other than those in Canada, connect the range cord at the terminal block. Access the terminal block by removing the cover in the lower left hand corner of the range back panel.



## Install Strain Relief

Place strain relief in knockout below terminal block.

### ⚠ WARNING

The strain relief provided with your range cord must be properly installed. Strain reliefs vary. Carefully read and follow the instructions included with your strain relief.

1. In the knockout panel below the terminal block, remove the knockout that fits the strain relief that comes with your range cord.
2. Feed the range cord through the hole and the strain relief up to terminal block. Allow for slack in the cord between the strain relief and terminal block.
3. Once the cord length/slack has been adjusted, attach the strain relief per instructions included with strain relief.

**Tip:** The knockout panel (below the terminal block) can be removed from the range to install the strain relief. Remove the panel from range, install strain relief in panel and reattach. DO NOT remove entire range back panel.

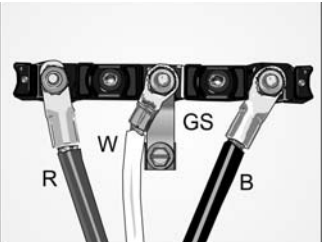
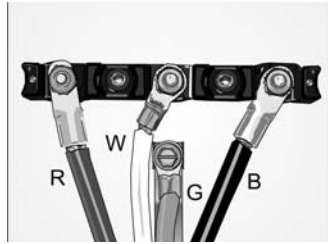
## Preparation for Power Connection

### ⚠ WARNING

Risk of Electric Shock or Fire. Grounding through the neutral conductor is prohibited for new branch-circuit installations (1996 NEC), mobile homes, and recreational vehicles, or in an area where local codes prohibit grounding through the neutral conductor.

For installations where grounding through the neutral conductor is prohibited: (a) disconnect the link from the neutral, (b) use grounding terminal or lead to ground unit, (c) connect neutral terminal to lead branch circuit neutral in the usual manner. When the appliance is to be connected by means of a cord kit, use 4-conductor cord for this purpose.

Use only cord kits rated 125/250 volts, 40 amperes (minimum), and labeled "For Use with Ranges". Strain relief provided with the cord must be installed per instructions included with the cord.

3-Wire Hookup	4-Wire Hookup
	
R= Red W = White GS = Grounding Strip B = Black	R= Red W = White G = Green B = Black

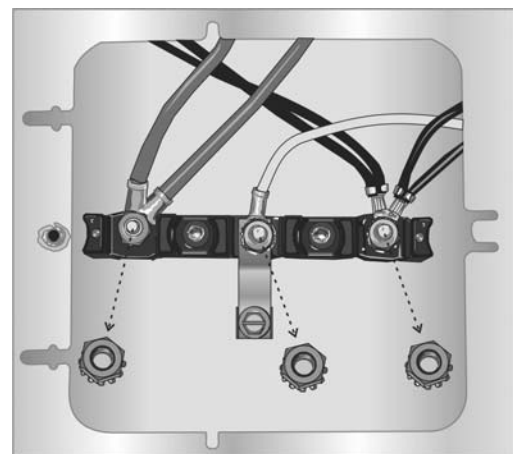
### ⚠ WARNING

To prevent electrical shock, the grounding prong on the range cord should not be cut or removed under any circumstances. It must be plugged into a matching grounding type receptacle and connected to a correctly polarized 240-Volt circuit. If there is any doubt as to whether the wall receptacle is properly grounded, have it checked by a qualified electrician.

## Four-wire Range Cord Connection (Recommended Method)

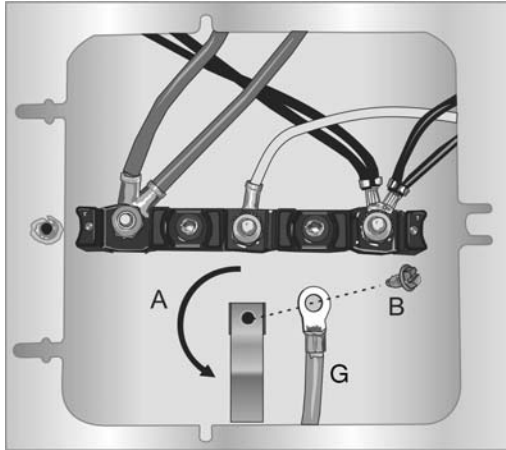
1. Disconnect electrical power at breaker box. Remove the terminal block cover to expose the terminal block.
2. Remove the top nut (has an attached locking washer) from each post.

**Note:** DO NOT remove the second nut/washer on each post; these must stay in place to anchor the internal wiring attached to the terminal block.

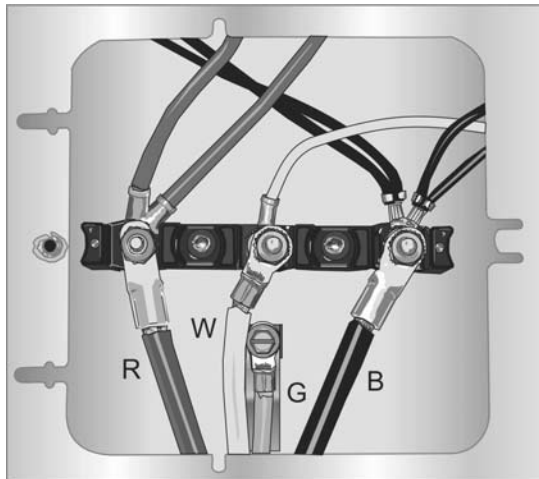


3. Remove screw from the bottom end of the ground strap.

- Remove the green grounding screw from the lower end of the grounding strap. Remove the upper end of the grounding strap from the center post of the junction bar. Rotate the grounding strip (A) so that the wide end is up and align the hole with the grounding hole below the terminal block. Use the green grounding screw (B) to attach the green wire (G) on top of grounding strap. Tighten the grounding screw firmly, but do not overtighten.



- Attach the red wire to the left junction block terminal using one of the nut/washers removed in step 2.



- Attach the white wire to the center junction block terminal using one of the nut/washer parts.
- Attach the black wire to the right junction block terminal using one of the nut/washer parts.
- Tighten all connections securely and replace terminal block cover.
- Properly secure strain relief (see previous section).

**Note:** DO NOT plug in the range at this time.

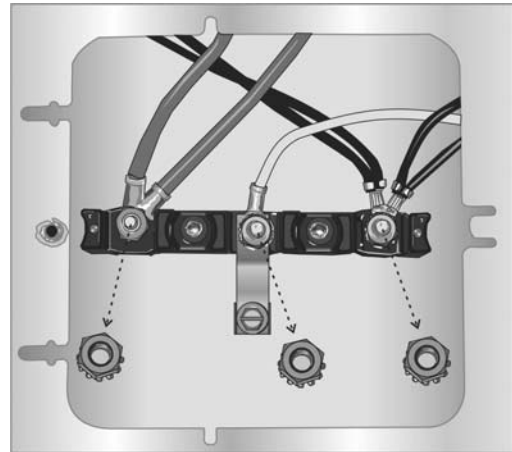
### Three-wire Range Cord Connection (Alternate Method)

The four-wire connection (above) is preferred, but where local codes and ordinances permit grounding through the neutral and where conversion to four-wire is impractical,

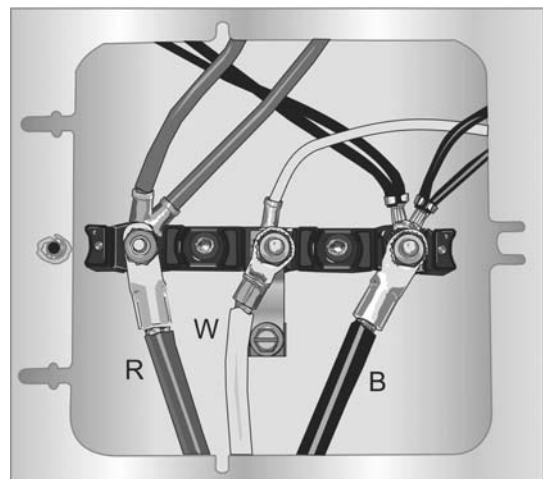
the unit may be connected to the power supply via a three-wire connection.

- Disconnect electrical power at breaker box.
- Remove the terminal block cover to expose the terminal block.
- Remove the top nut (has an attached locking washer) from each terminal post.

**Note:** DO NOT remove the second nut/washer on each post. These must stay in place to anchor the internal wiring attached to the terminal block.



- Attach the white wire to the center junction block terminal using one of the nut/washer parts.
- Attach the red wire to the left junction block terminal using one of the nut/washer parts removed in step 2.
- Attach the black wire to the right junction block terminal using one of the nut/washer parts.



- Tighten all connections securely and replace terminal block cover.
- Properly secure strain relief (see previous section).

**Note:** DO NOT plug in range at this time.

## Connect Flexible Conduit

The range can also be connected via flexible conduit. If using this method, always use the lugs supplied.

**Note:** In Canada, the range is shipped from the factory with the range cord already installed. Continue to “*Complete the installation*”. For installations other than those in Canada, connect the flexible conduit at the terminal block.

### Terminal Lug/Wire Connection

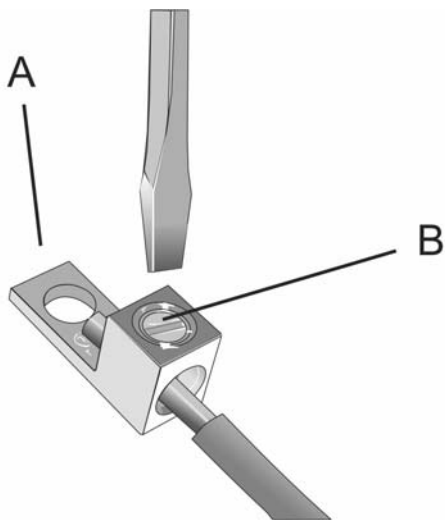
In each instance where a wire is to be attached to a terminal lug, perform the following steps:

1. Strip 3/8" (9.5 mm) of insulation from the end of the wire.



2. Insert the stripped end of the wire into the terminal lug (see A in the figure below) and then tighten each clamping screw (see B in the figure below) with the appropriate torque (see table).

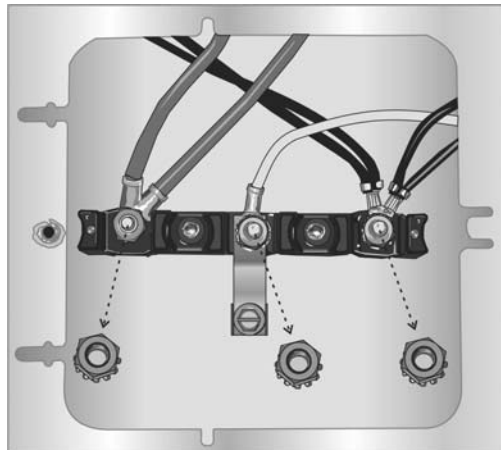
Wire Gauge	Torque (in/lbs)	Torque (Nm)
6	35	3.95
8	25	2.82



### Four-wire Flexible Conduit Connection

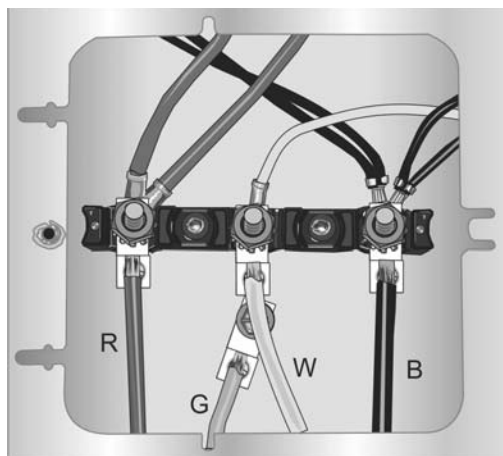
1. Disconnect electrical power at the breaker box.
2. Remove the terminal block cover to expose the terminal block.

3. Remove the top nut (has an attached locking washer) from each terminal post.



**Note:** DO NOT remove the second nut/washer on each post. These must stay in place to anchor the internal wiring attached to the terminal block.

4. Remove the green grounding screw from the lower end of the grounding strap.
5. Remove the grounding strap from the center post on the terminal block. The strap will not be needed with the flexible conduit electric installation. Remove it from the unit.



6. Attach the insulated grounding wire (G) to a terminal lug (packaged with this manual) and secure the terminal lug to the grounding hole with the green grounding screw. Tighten the screw firmly, but do not overtighten.
7. Attach the red wire (R) to a terminal lug and place the terminal lug onto the left post. Replace the nut/washer on the post and tighten to 20 in/lbs. (50.8 cm) of torque.
8. Attach the black wire (B) to a terminal lug and place the terminal lug onto the right post. Replace the nut/washer on the post and tighten to 20 in/lbs. (50.8 cm) of torque.

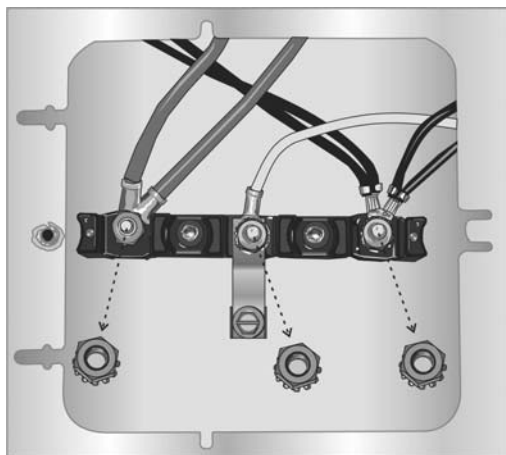
9. Properly secure the flexible conduit at knockout on angle and at supply side junction box. The wiring is now complete.

**Note:** DO NOT connect electrical power to the range at this time.

### Three-wire Flexible Conduit Connection

The four-wire connection is preferred, but where local codes and ordinances permit grounding through neutral and/or conversion to four-wire is impractical, the unit may be connected to the power supply via a three-wire connection.

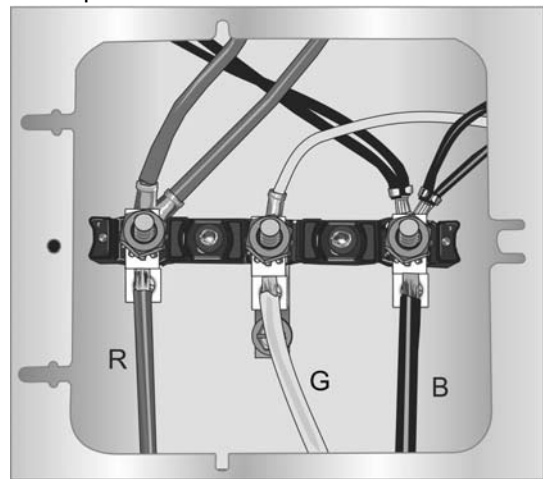
1. Disconnect electrical power at the breaker box.
2. Remove the terminal block cover to expose the terminal block.
3. Remove the top nut, star washer, and round washer from each post.



**Note:** DO NOT remove last round washer, last nut or internal wire leads.

4. Attach the red wire (R) to a terminal lug (packaged with this manual) and place the terminal lug onto the left post. Replace the nut/washer on the post and tighten to 20 in/lbs. (50.8 cm) of torque.
5. Attach the black wire (B) to a terminal lug and place the terminal lug onto the right post. Replace the nut/washer on the post and tighten to 20 in/lbs. (50.8 cm) of torque.
6. Attach the green wire (G) to a terminal lug and place the terminal lug onto the center post. Replace the nut/washer on the post and tighten to 20 in/lbs. (50.8 cm) of torque.

7. Properly secure flexible conduit at knockout panel on range and at supply side junction box. The wiring is now complete.

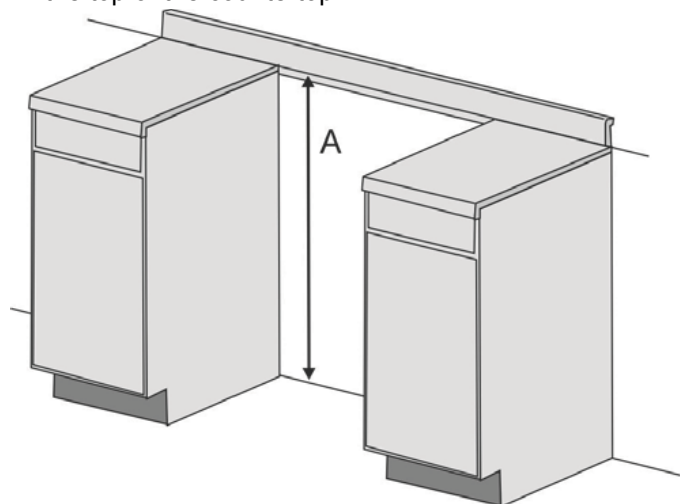


**Note:** DO NOT connect electrical power to the range at this time.

## Complete the installation

### Adjust Leveling Legs

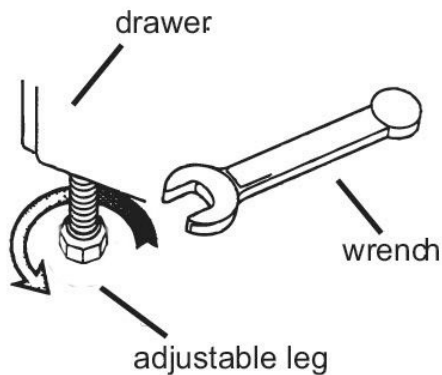
1. Make sure that the circuit breaker is off and then plug range cord into the electrical outlet.
2. Line up range in front of opening.
3. Measure (A) back left corner of opening from floor to the top of the countertop.



4. Measure the back left corner of the range to the bottom of cooktop (B). Adjust leveling legs until this height is the same as the corner dimension.



5. Repeat in the back right corner.
6. Use a 1¼ " wrench to adjust front leveling legs so that the height from the bottom of the cooktop to the floor matches the height of the corresponding countertop surface.



## Slide Range into Opening

### ⚠ CAUTION

Unit is heavy and requires at least two persons or proper equipment to move.

### NOTICE

To avoid risk of damage to the range oven door, do not lift, push, or pull the range by holding the door handle. After the door has been removed, reach inside the top of the oven cavity to locate a ridged area near the front of the oven. Take care not to touch the oven heating element also located at the top of the oven cavity, just behind the ridged area.



### ⚠ CAUTION

It is recommended to wear gloves and long sleeves to protect hands and forearms from abrasion and potential scratches during the lifting process. It is also recommended to take off watches and jewelry and to wear work shoes during installation for foot protection.

1. Remove oven door using the procedure "Removing the Oven Door" on page 13 and lift the range off of the packaging base.
2. Plug in the power cord.
3. Dampen countertop and floor at bottom of opening with soapy water.  
**Note:** Clean up any remaining soapy water immediately after sliding the range in place.
4. Slide the range into the opening, being careful not to damage countertops, floors, or the range door or warming drawer front. Do not apply pressure to cooktop when sliding into position. Be careful not to crimp the flexible electrical connector.
5. Install the oven door using the procedure "Replacing the Oven Door" on page 14.



## Check Back of Range for Proper Installation

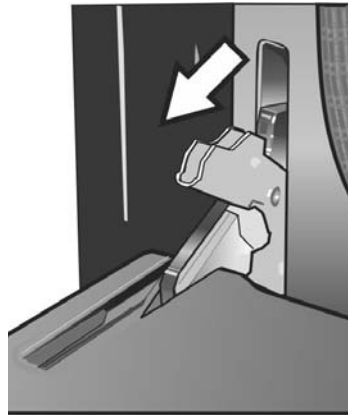
1. The cooktop should rest lightly on the countertop.
2. There should not be any gap between the countertop and the cooktop; however, the weight of the range must not rest on the countertop. Look under the range to verify that both back legs are resting solidly on the floor. Also verify that the left range leg is retained by the anti-tip bracket.

## Removing the Oven Door

### **⚠ WARNING**

When removing the door:

- Make sure oven is cool and power to the oven has been turned off before removing the door. Failure to do so could result in electrical shock or burns.
- The oven door is heavy and parts of it are fragile. Use both hands to remove the oven door. The door front is glass. Handle carefully to avoid breakage.
- Grasp only the sides of the oven door. Do not grasp the handle as it may swing in your hand and cause damage or injury.
- Failure to grasp the oven door firmly and properly could result in personal injury or product damage.
- To avoid injury from hinge bracket snapping closed, be sure that both levers are securely in place before removing the door. Also, do not force door open or closed—the hinge could be damaged and injury could result.
- Do not lay removed door on sharp or pointed objects as this could break the glass. Lay on a flat, smooth surface, positioned so that the door cannot fall over.



To help avoid injury or damage be sure to read the above WARNING before attempting to remove the oven door.

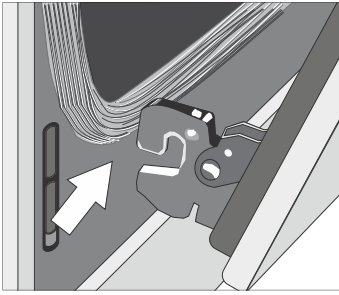
1. Open the oven door to its fully open, horizontal position.
2. Flip levers on hinges toward you.

**Note:** It may be necessary to use a tool, such as a screwdriver, to gently pry the upper part of the lever away from the housing. Take care to avoid scratching the housing.

3. Bring both door hinge levers to their fullest down position as shown in the illustration. The left and right door hinge levers may differ slightly but operate in the same manner.

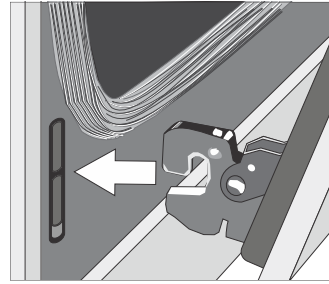


4. Close the oven door until it catches on the hinge stop levers, locking the hinges at the proper angle for door removal. The door will be open about 7 inches at the top. This takes the spring tension off the hinges so the door can be easily lifted out.

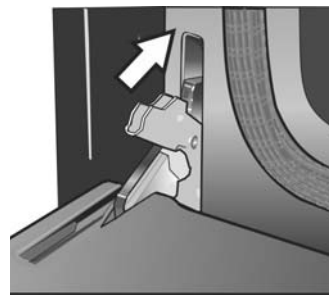


5. The door is heavy. Use both hands to firmly grip it by the sides. Do not grip the door by the handle. Maintaining the door angle, lift the door straight up approximately  $\frac{3}{4}$ " to unhook the hinges from the slots and then pull it out towards you until the hinges are clear of the oven housing.
6. Place the door in a convenient and stable location for cleaning.

## Replacing the Oven Door



1. Holding the door firmly in both hands, grip it on either side, not by the handle.
2. Tilt the door back slightly towards you until it opens about 7" at the top.
3. Slide the hinges into the slots as far as they will go and then lower the door straight down. The angle of the door may need to be adjusted slightly to allow the hinges to engage properly and the door to lower into place. The door should lower about  $\frac{3}{4}$ " and stop. If not, the hinges have not engaged properly and the door could fall if it is released.
4. Once both hinges are fully engaged as described in Step 3, gently open the door until it is fully open.



5. Push the levers on both the hinges up and forward until they are locked into the slot, flush with the front of the oven body.
6. Close and open door slowly to be sure it is correctly and securely in place.

## Removing the Warming Drawer

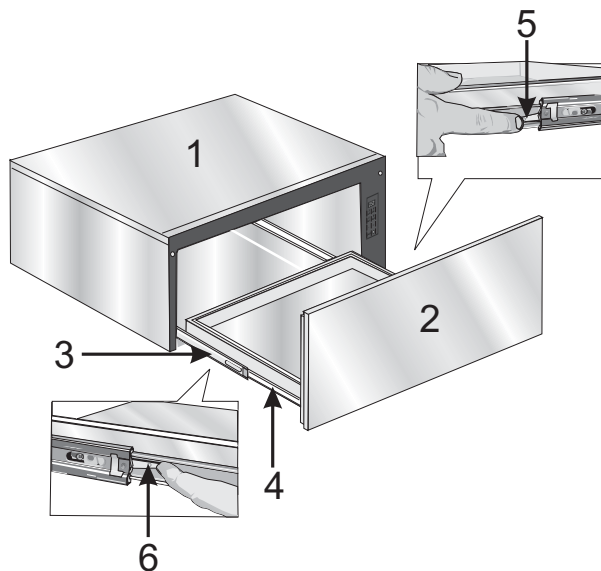
### ⚠ CAUTION

To prevent burns, do not remove drawer while hot.  
Be sure the drawer is empty before removing.

1. Pull drawer to fully open position.
2. Press down on the right drawer clip.
3. Lift up on the left drawer clip.
4. Firmly pull the drawer straight out. Retract housing slides while drawer is removed.

### Parts

1	Housing
2	Drawer
3	Housing slide
4	Drawer rail
5	Right drawer clip
6	Left drawer clip



## Replacing the Warming Drawer

1. Be sure housing slides are pushed inside housing.
2. Align the drawer rails with the housing slides attached to the drawer housing.
3. Firmly push the drawer straight into the drawer housing until the drawer clicks into place. **Note:** The drawer has a “push-to-open” operation. Pressing the lower center front of the drawer causes the drawer to self-open.

4. Open and close drawer to test operation. **Note:** If the drawer will not close, verify that the rails on the drawer are properly aligned to housing slides and that the rail release levers are properly positioned.

## Testing Operation

### Test the Oven

1. Turn on power at the breaker.
2. Test the oven mode.  
Select the **BAKE** mode. See the Use and Care Manual for detailed operation instructions.
3. Verify that the oven light comes on and the oven begins to preheat.
4. Test the door lock.  
Set the **SELF CLEAN** mode. Confirm that the door locks when the lock icon appears in the display.
5. If any of the tests do not result as explained above, contact Bosch service for assistance. Otherwise, continue with testing the rangetop burners.

If any of the tests do not result as explained above, contact Bosch Service for assistance. Otherwise, the installation is complete at this time.

---

# Service

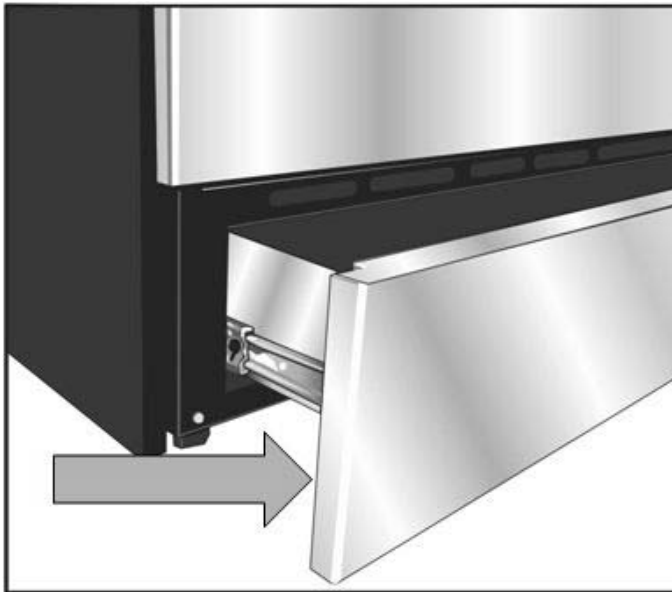
## Before Calling Service

See Use and Care Manual for troubleshooting information. Refer to the Warranty in the Use and Care Manual.

To reach a service representative, see the contact information at the front of the manual. Please be prepared with the information printed on your product data plate when calling.

### Data Plate

The data plate shows the model and serial number. Refer to the data plate on the appliance when requesting service. The data plate is located on the back side of the drawer front. Open the drawer to see it.







# Table des matières

<b>Définitions concernant la sécurité</b> . . . . .	<b>1</b>	<b>Tests de fonctionnement</b> . . . . .	<b>18</b>
<b>Sécurité</b> . . . . .	<b>2</b>	<b>Dépannage</b> . . . . .	<b>19</b>
<b>Préparation</b> . . . . .	<b>5</b>	Avant d'appeler le service de dépannage . . . . .	19
<b>Avant de commencer</b> . . . . .	<b>5</b>		
Outils et pièces nécessaires . . . . .	5		
Pièces comprises . . . . .	5		
Pièces supplémentaires nécessaires pour les installations sur circuit en fil métallique . . . . .	5		
Retirer l'emballage . . . . .	5		
<b>Liste de pointage de l'installation</b> . . . . .	<b>5</b>		
<b>Informations générales</b> . . . . .	<b>6</b>		
Dimensions hors tout . . . . .	6		
Emplacement, mise à niveau et à plomb . . . . .	6		
Conseils d'installation . . . . .	6		
Spécifications électriques . . . . .	6		
<b>Exigences relatives aux armoires</b> . . . . .	<b>7</b>		
Installation de la ventilation . . . . .	7		
Dégagement requis . . . . .	7		
Préparation des murs et du sol . . . . .	8		
Exigences portant sur les comptoirs . . . . .	8		
<b>Procédure d'installation</b> . . . . .	<b>9</b>		
<b>Installation du support antibasculement</b> . . . . .	<b>9</b>		
<b>Raccordement électrique</b> . . . . .	<b>9</b>		
Raccordement du conduit électrique flexible . . . . .	12		
Terminer l'installation . . . . .	14		
Démontage de la porte du four . . . . .	15		
Remontage de la porte du four . . . . .	17		
Démontage du tiroir-réchaud . . . . .	18		
Remontage du tiroir-réchaud . . . . .	18		

Cet appareil électroménager Bosch est fabriqué par  
BSH Home Appliances, Corporation  
1901 Main Street, Suite 600  
Irvine, CA 92614

Questions?

1-800-944-2904

[www.bosch-home.com/us](http://www.bosch-home.com/us)

Il nous fait toujours plaisir de recevoir vos commentaires!





---

# Définitions concernant la sécurité

---

## AVERTISSEMENT

Ceci indique que le non-respect de cet avertissement peut entraîner des blessures graves, voire la mort.

---

---

## ATTENTION

Ceci indique que le non-respect de cet avertissement peut entraîner des blessures légères ou modérées.

---

**AVIS** : Ceci indique que la non-conformité à cet avis de sécurité peut entraîner des dommages à l'appareil ou matériels.

Remarque : Ceci vous avertit que d'importantes informations et/ou conseils sont fournis.

# Sécurité

---

## ⚠ AVERTISSEMENT

---

Si les informations de ce manuel ne sont pas suivies à la lettre, un incendie ou un choc électrique peuvent se produire entraînant des dommages matériels ou des lésions corporelles.

---

---

## ⚠ AVERTISSEMENT

---

Ne pas réparer ni remplacer des pièces de l'appareil à moins que cela ne soit expressément recommandé dans les manuels. Toute installation, réparation ou maintenance inadéquate peut entraîner des blessures ou des dommages matériels. Consulter ce manuel pour obtenir des conseils sur la façon de procéder. Toute autre réparation doit être confiée à un technicien qualifié.

- **Demandez à votre marchand de vous recommander un technicien qualifié et un service de réparation autorisé.**
  - **Effectuer l'installation uniquement en suivant la notice d'installation fournie dans le dossier de documentation livré avec cette cuisinière.**
  - **Ne jamais modifier ou altérer la cuisinière, y compris en enlevant les pieds de nivellement, les panneaux, les couvre-fils, les supports ou vis antibasculement, ou toute autre pièce de l'appareil.**
- 

**VEUILLEZ LIRE INTÉGRALEMENT CES INSTRUCTIONS AVANT D'UTILISER CET APPAREIL.**

---

## ⚠ AVERTISSEMENT

---

### **DANGER DE BASCULEMENT!**

Il est possible pour un enfant ou un adulte de faire basculer la cuisinière et d'être tué. Vérifier que le support antibasculement est solidement installé. S'assurer que le support antibasculement est réengagé lorsque la cuisinière est déplacée.



Ne pas faire fonctionner la cuisinière si le support antibasculement n'est pas en place. Le non-respect des instructions de ce manuel peut entraîner la mort ou des brûlures graves chez les enfants ou les adultes.

Vérifier que le support antibasculement est installé et utilisé correctement. Saisir l'extrémité arrière de la cuisinière et tirer pour essayer de l'incliner doucement vers l'avant. Vérifier si les dispositifs antibasculement sont engagés au niveau des pieds de la cuisinière et empêchent celle-ci de basculer. La cuisinière ne doit pas se déplacer de plus de 1 po (25 mm).

---

## Sécurité de manutention de l'appareil

---

### ⚠ ATTENTION

---

- Cet appareil est lourd et il faut au moins deux personnes ou l'équipement approprié pour le déplacer.
  - Les surfaces cachées peuvent comporter des arêtes vives. Faites attention en tendant le bras derrière l'appareil ou en dessous.
  - Ne pas utiliser le four ou le tiroir chauffant (si l'appareil en est équipé) comme espace de rangement.
- 

Ne pas soulever l'appareil par la poignée de la porte du four. Retirer la porte du four pour faciliter la manutention et l'installation de celui-ci. Consulter la section « Démontage de la porte du four » dans le Manuel d'utilisation et d'entretien.

Cet appareil est lourd et il faut au moins deux personnes ou l'équipement approprié pour le déplacer.

Les surfaces cachées peuvent comporter des arêtes vives. Faites attention en tendant le bras derrière l'appareil ou en dessous.

## Élimination des matériaux d'emballage

Retirer le ruban adhésif et l'emballage avant d'utiliser la cuisinière. Détruire la boîte en carton et les sacs en plastique après avoir déballé la cuisinière. Ne jamais laisser d'enfants jouer avec les matériaux d'emballage.

## Codes et normes de sécurité

Cet appareil est conforme à une ou plusieurs des normes suivantes :

- UL 858, Cuisinières électriques domestiques
- CAN/CSA-C22.2 N° 61, Cuisinières domestiques pour la cuisson des aliments

Il est de la responsabilité du propriétaire et de l'installateur de déterminer si des exigences et/ou des normes supplémentaires s'appliquent à des installations particulières.

## Emplacement prévu pour l'installation

Pour éliminer le risque de brûlures ou d'incendie pouvant survenir en tendant le bras au-dessus des éléments de surface chauds, les espaces de rangement situés au-dessus des éléments de surface, telle une armoire de cuisine, sont à éviter. Dans le cas où un espace de rangement serait mis à disposition, le risque peut être diminué grâce à l'installation d'une hotte dépassant horizontalement d'au moins 5 po (127 mm) de la base de l'armoire.

Vérifier que les armoires situées au-dessus de la table de cuisson ont 13 po (330 mm) de profondeur maximum.

## Sécurité des enfants

Ne pas entreposer d'objets pouvant intéresser les enfants dans les armoires se trouvant au-dessus d'une cuisinière ou sur son dossier. Un enfant qui grimperait sur la cuisinière pour saisir ces objets pourrait se blesser sérieusement.

## Sécurité en matière d'électricité

Avant de brancher le cordon électrique, s'assurer que toutes les commandes sont en position d'arrêt (OFF).

S'assurer que votre appareil est correctement installé et mis à la terre par un technicien qualifié conformément à la dernière édition du Code national de l'électricité ANSI/NFPA 70 et aux exigences des codes locaux en matière d'électricité.

Les codes locaux peuvent varier. L'installation, les raccordements électriques et la mise à la terre doivent être conformes à tous les codes applicables.

Pour les appareils équipés d'un cordon et d'une prise, ne pas couper ni retirer le contact de mise à la terre. Il doit être

branché dans une prise de courant homologuée avec mise à la terre afin d'éviter les chocs électriques. S'il y a un doute quelconque concernant la mise à la terre correcte de la prise murale, le client doit faire vérifier l'installation par un électricien qualifié.

Si le Code national de l'électricité (ou le Code canadien de l'électricité) l'exige, cet appareil doit être installé sur un circuit de dérivation séparé.

Utiliser uniquement un ensemble de cordon d'alimentation électrique homologué pour cet appareil et portant la mention « Pour utilisation avec les cuisinières ».

**Installateur** - Veuillez indiquer au propriétaire l'emplacement du disjoncteur ou du fusible. Identifier sa position pour pouvoir le retrouver facilement.

**Important** - Conserver ces instructions pour l'usage de l'inspecteur en électricité local.

Avant de procéder à l'installation, couper le courant au panneau d'entrée d'électricité. Verrouiller le panneau d'entrée d'électricité pour éviter que le courant ne soit rétabli accidentellement.

Pour des informations supplémentaires, consulter la plaque signalétique. Voir « Plaque signalétique » sous « Dépannage » pour connaître l'emplacement de la plaque signalétique.

## Sécurité complémentaire de l'équipement

Retirer le ruban adhésif et l'emballage avant d'utiliser l'appareil. Détruire l'emballage après avoir déballé l'appareil. Ne jamais laisser des enfants jouer avec les matériaux d'emballage.

Ne jamais modifier ni altérer la structure de l'appareil. Par exemple, ne pas retirer les pieds de nivellement, les panneaux, les couvre-fils ni les supports/vis antibasculement.

---

### AVERTISSEMENT

---

#### **Avertissements conformément à la Proposition 65 de l'État de Californie :**

Ce produit contient des substances chimiques reconnues par l'État de Californie comme pouvant causer le cancer, des malformations congénitales ou d'autres troubles de la reproduction.

---

**AVIS DE SÉCURITÉ IMPORTANT** : En application de la loi californienne concernant la salubrité de l'eau et la protection contre les substances chimiques (« California Safe Drinking Water and Toxic Enforcement Act »), le gouverneur de Californie est tenu de publier une liste des substances reconnues par l'État de Californie comme étant cancérigènes ou pouvant causer des malformations ou présenter un danger pour la reproduction, et les entreprises sont tenues d'avertir les consommateurs des risques potentiels d'exposition à de telles substances.

# Préparation

## Avant de commencer

### Outils et pièces nécessaires

- Ensemble de cordon d'alimentation électrique de 40 ou 50 ampères avec réducteur de tension (selon le code local).  
**Remarque :** Celui-ci n'est pas nécessaire pour les installations effectuées au Canada car le cordon est installé au préalable en usine.
- Mètre à ruban
- Tournevis cruciforme
- Clé à tube de 1¼ po
- Crayon
- Tournevis à pointe à six lobes T-20
- Vis (2) et brides d'ancrage (2) pour le support antibasculement (le style varie en fonction de la surface de montage)
- Niveau
- Perceuse et foret (foret de maçonnerie de 3/16 po ou 4,7 mm pour vis de scellement)
- Eau savonneuse
- Gants et lunettes de sécurité
- Toile ou carton (facultatif - pour protéger le sol)

### Pièces comprises

- Support antibasculement
- 2 vis à bois
- 2 vis de scellement sans bride d'ancrage
- Ruban en mousse (sauf si déjà installé sur la partie inférieure des côtés de la table de cuisson)
- Cosses (pour les installations sur circuit en fil métallique)  
**Remarque :** Les cosses ne sont pas nécessaires pour les installations au Canada.

### Pièces supplémentaires nécessaires pour les installations sur circuit en fil métallique

- Conduit flexible
- Clé dynamométrique

**Remarque :** L'ensemble de cordon d'alimentation électrique n'est pas nécessaire pour les installations sur circuit en fil métallique.

### Retirer l'emballage

- Si des bandes sont présentes, veuillez les couper.
- Couper le film de plastique à l'arrière de l'appareil en veillant à ne pas couper une partie de l'appareil.
- Enlever le film de plastique.
- Soulever et retirer la pièce en carton qui entoure la partie supérieure de l'appareil.
- Enlever les cornières cartonnées en veillant à retirer également tout montant ou autre matériau d'emballage placé entre les cornières.
- Enlever l'emballage intérieur et le ruban adhésif.
- Laisser le fond de l'emballage en place jusqu'à ce qu'il soit positionné près de l'ouverture du placard destiné à la cuisinière.

## Liste de pointage de l'installation

Pour la notice d'installation complète, veuillez vous référer aux pages suivantes. Utilisez cette liste de pointage pour vérifier que vous avez effectué chaque étape du processus d'installation. Ceci peut vous aider à éviter de commettre des erreurs communes.

1. Avant d'installer la cuisinière, s'assurer que les dimensions des armoires sont correctes pour votre appareil et que les raccordements électriques requis sont présents.
2. Consulter le manuel d'installation pour des informations sur la sécurité, les dimensions des armoires, le déballage de l'appareil, l'installation électrique, les tests réalisés sur l'installation et le service après-vente.
3. Le démontage de la porte du four et du tiroir-réchaud avant l'installation permettent d'alléger le poids de la cuisinière et d'en faciliter le déplacement. De plus, le démontage de la porte du four permet d'accéder aux alvéoles pour soulever l'appareil.
4. Déplacer la cuisinière pour la mettre en place devant l'ouverture où elle sera installée sans enlever l'emballage inférieur qui la protège pour éviter d'endommager le sol.
5. Brancher la cuisinière sur une prise de courant correctement configurée.
6. Protéger le sol des dommages qu'il pourrait subir, puis soulever la cuisinière pour la dégager de l'emballage de dessous et la faire coulisser complètement pour la mettre en place en veillant à faire suivre correctement le cordon d'alimentation.
7. Remettre en place la porte du four que vous avez démontée à l'étape 3 ci-dessus.
8. Consulter l'intégralité de la notice d'installation et suivre le reste des procédures répertoriées, y compris l'exécution d'un essai de fonctionnement.

# Informations générales

## Dimensions hors tout

Dimension	Pouces	Centimètres
Hauteur	36½" - 38"	927 mm - 966 mm
Largeur	31½"	800 mm
Profondeur	26¾"	681 mm

## Emplacement, mise à niveau et à plomb

Pour de meilleurs résultats, les armoires, les comptoirs, les parois et les planchers doivent être aussi de niveau et d'aplomb que possible. Une variation de niveau peut mettre en péril l'intégrité des comptoirs et des planchers au cours de l'installation, compromettre le rendement de cuisson et de boulangerie.

## Conseils d'installation

Pour alléger le poids de la cuisinière et en faciliter le maniement au cours de l'installation, retirer la porte du four et le tiroir-réchaud de la cuisinière (voir la section sur le démontage/remontage de la porte et du tiroir-réchaud).

Si vous ne retirez pas le tiroir-réchaud, fixez-le solidement avec du ruban adhésif avant l'installation pour éviter qu'il ne s'ouvre pendant l'installation de la cuisinière.

Mettre un morceau de carton ou une toile sous la cuisinière au cours de l'installation afin de protéger les planchers.

## Spécifications électriques

Pour des informations supplémentaires, consulter la plaque signalétique. Voir la « Plaque signalétique » du produit dans la section Dépannage du présent manuel.

Nous recommandons d'installer la cuisinière avec un ensemble de cordon d'alimentation (non fourni avec les modèles vendus aux États-Unis). La cote électrique de l'ensemble de cordon d'alimentation doit être de 120/240 volts, 40 ampères minimum. L'ensemble de cordon d'alimentation doit porter la mention « Pour utilisation avec les cuisinières ». Toujours utiliser un cordon d'alimentation neuf.

Vérifier que le câblage vers la résidence est adéquat. Communiquer avec les services publics locaux afin de vérifier si l'alimentation électrique de votre résidence est adéquate. Dans certains cas, il faudra augmenter le calibre du câblage de la résidence et de l'interrupteur secteur pour satisfaire la consommation en électricité de la cuisinière.

Certains codes de câblage exigent l'installation d'un circuit séparé doté d'un sectionneur et de fusibles séparés sur le tableau de distribution de l'entrée principale ou dans une boîte de distribution et de fusibles séparée.

La cuisinière nécessite au minimum un circuit à courant alternatif trifilaire de 120/240 volts ou de 120/208 volts, 40 ou 50 ampères, 60 Hz. Vérifier les codes locaux pour obtenir l'intensité nominale correcte. Un raccordement à 4 fils est privilégié. La plupart des règlements et codes du bâtiment locaux exigent que le câblage électrique soit réalisé par des électriciens agréés. S'assurer d'installer la cuisinière conformément aux codes électriques en vigueur dans votre région.

## Régime nominal en kW

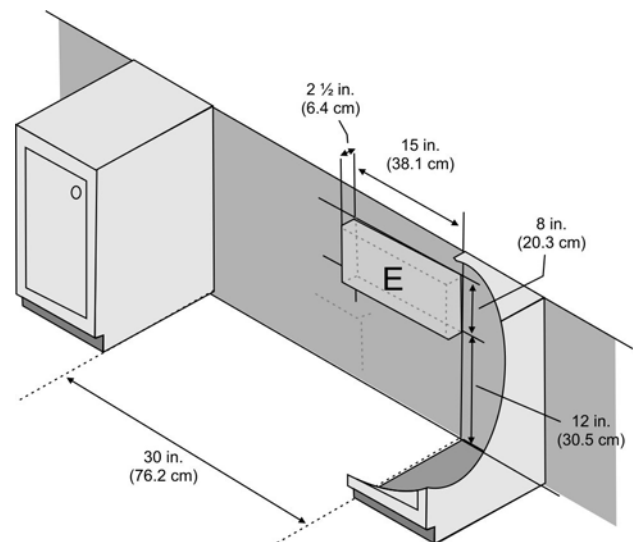
Les cuisinières sont à double tension, ce qui permet de les utiliser en 120/240 VCA ou en 120/208 VCA. Vérifier la plaque signalétique pour le régime nominal en kW. Consulter le régime nominal en kW dans le tableau ci-dessous pour déterminer les exigences en matière d'intensité de courant.

VOLTS C/A	HZ	RÉGIME NOMINAL KW	DISJONCTEUR
120/240	60	13.0	40 or 50 ampères*
120/240	60	13.8	40 or 50 ampères*
120/208	60	9.8	40 or 50 ampères*
120/208	60	10.4	40 or 50 ampères*

\* Varie selon le lieu. Vérifier les codes locaux.

## Emplacement de la prise électrique

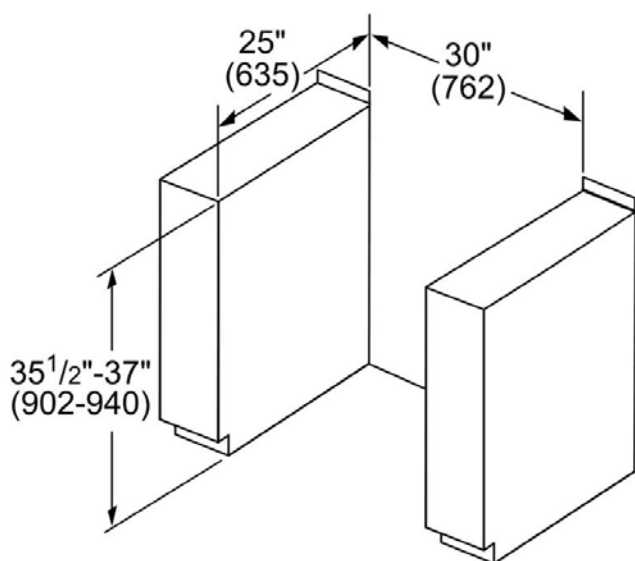
Une prise encastrée avec circuit spécialisé de 208/240 VCA est requise. Utiliser le schéma ci-dessous pour vous assurer que l'installation est correctement préparée pour la cuisinière. Remarquez que l'espace disponible pour la prise électrique est indiqué dans la boîte (E) de l'illustration suivante.



# Exigences relatives aux armoires

Cet appareil a été conçu pour une installation près de parois adjacentes et de surfaces en saillie construites en matières combustibles. Préparer le comptoir de cuisine et les armoires.

Prévoir un espace de 30 po (762 mm) minimum entre les armoires où la cuisinière doit être installée. Aucun dégagement latéral n'est requis. La hauteur est réglée en ajustant les pieds de la cuisinière (voir la section « Terminer l'installation » plus loin dans ce document).



**Remarque :** La cuisinière insérée peut également remplacer une cuisinière autonome. Dans ce cas, vérifier que l'ouverture mesure au moins 30 po (762 mm).

## Installation de la ventilation

Bosch recommande vivement d'installer une hotte de ventilation au-dessus de cette cuisinière. Pour la plupart des cuisines, une hotte homologuée d'une capacité de 300 pi<sup>3</sup>/min minimum est recommandée. La hotte aspirante de cuisine doit être installée conformément aux instructions qui l'accompagnent.

## Dégagement requis

Ces instructions ont été développées en utilisant des armoires américaines standard. Les armoires de base standard mesurent 36 po (914 mm) de hauteur x 25 po (635 mm) de profondeur. Les armoires qui se trouvent au-dessus de la surface de cuisson et celles qui sont adjacentes à ces dernières mesurent 13 po (330 mm) de profondeur depuis la paroi arrière. Si des armoires non standard sont utilisées, veiller à modifier les dimensions en conséquence.

### ▲ AVERTISSEMENT

Pour éliminer le risque de brûlures ou d'incendie pouvant survenir en tendant le bras au-dessus des éléments de surface chauds, les espaces de rangement situés au-dessus des éléments de surface, telle une armoire de cuisine, sont à éviter. Dans le cas où un espace de rangement serait mis à disposition, le risque peut être diminué grâce à l'installation d'une hotte dépassant horizontalement d'au moins 5 po (127 mm) de la base de l'armoire.

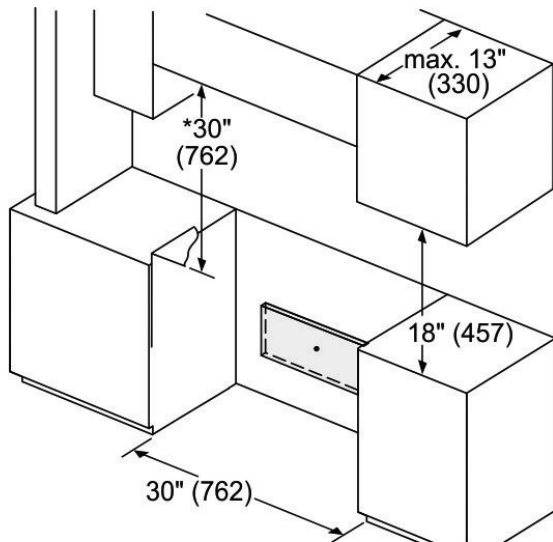
### Entre la table de cuisson et les matériaux se trouvant au-dessus :

- Il doit y avoir un dégagement minimum de 30 pouces (762 mm) entre le dessus de la surface de cuisson et la partie inférieure d'une armoire en bois ou en métal non protégée.
- Bosch recommande les espacements minimaux indiqués dans les diagrammes d'installation contenus dans ce manuel. Les espacements pour les matériaux non combustibles ne sont pas certifiés par la CSA. Les espacements moindres que ceux indiqués dans les diagrammes d'installation doivent être approuvés par les codes locaux ou les autorités locales ayant juridiction.

### Entre la surface de cuisson et les matériaux latéraux :

Aucun dégagement n'est requis entre les parois de l'appareil et les parois combustibles verticales adjacentes à l'arrière, à droite ou à gauche.

**Remarque :** Certains revêtements d'armoire ne peuvent pas résister aux températures autorisées par les normes de sécurité et, en particulier, celles des fours auto-nettoyants; ainsi, les armoires risquent de se décolorer ou de se tacher. Ceci est particulièrement visible sur les armoires laminées.



Mesures en pouces (mm)

\* Distance minimale de 30" par rapport à une surface inflammable se trouvant au-dessus. Lors de l'installation d'une hotte ou d'un micro-ondes avec hotte intégrée, respecter les écarts indiqués pour ce produit.

### Les matériaux ignifuges portent la mention suivante :

« UNDERWRITERS LABORATORIES INC. CLASSIFIED MINERAL AND FIBER BOARDS SURFACE BURNING CHARACTERISTICS » (Caractéristiques relatives à l'inflammabilité de panneaux de fibres et de minéraux classés de l'Underwriter's Laboratories, Inc.) Cette indication est suivie par les indices de propagation de flamme et de fumée. Ces désignations sont indiquées par le signe « FHC » (Flame Spread/Smoke Developed - Propagation de la flamme/Production de fumée). Les matériaux ayant un indice ignifuge de « O » sont ignifuges. Les codes locaux peuvent autoriser un indice de propagation de flamme différent. Il est de la responsabilité de l'installateur de veiller à ce que l'installation soit conforme à ces indices.

### Préparation des murs et du sol

Sceller tous les trous dans les murs ou le sol. Supprimer les obstructions (raccordements électriques ou de gaz accessoires, etc.) afin que la cuisinière puisse être adossée correctement contre le mur.

### Exigences portant sur les comptoirs

Les comptoirs doivent être lisses et de niveau.



# Procédure d'installation

## Installation du support antibasculement

### ⚠ AVERTISSEMENT

Il est possible pour un enfant ou un adulte de faire basculer la cuisinière et d'être tué. Vérifier que le dispositif antibasculement est solidement monté. S'assurer que le support antibasculement est réengagé lorsque la cuisinière est déplacée.

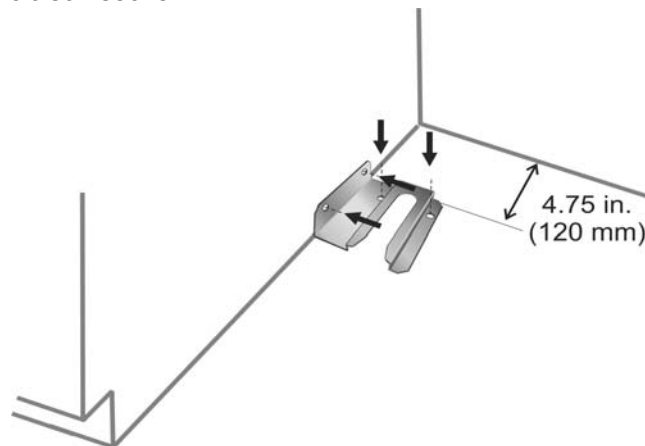


Il est possible pour la cuisinière de basculer vers l'avant et de causer des blessures et des dégâts si le support antibasculement n'est pas correctement installé. Ne pas faire fonctionner la cuisinière si le support antibasculement n'est pas en place.

### Étapes d'installation du support antibasculement

1. Régler la hauteur de la cuisinière par rapport à la hauteur du comptoir et mettre celle-ci de niveau en faisant pivoter les pieds d'appui réglables au bas de la cuisinière à l'aide d'une clé de 1¼ po (32 mm).
2. Positionner le support comme indiqué ci-dessous dans le coin arrière gauche de l'ouverture prévue pour l'installation, contre la paroi arrière et la paroi gauche du placard. Monter le support à l'aide de deux vis sur le plancher ou le socle du placard adjacent.  
**Remarque :** La surface de montage doit être stable. Lors du montage sur la paroi du placard, assurez-vous que les vis se logent dans le bâti du placard, et non pas seulement dans la paroi mince de celui-ci. Ne pas utiliser de cale ni de pièce d'espacement pour combler un vide entre le support antibasculement et la paroi du placard.
3. Fixer solidement le support à l'aide de deux vis sur le plancher ou le bas de la paroi du placard. En fonction du sol ou des matériaux du placard, utiliser des vis à bois ou des vis de scellement sans bride d'ancrage (livrées). Les vis de scellement nécessitent l'utilisation d'une mèche à maçonnerie de 3/16 po (4,76 mm). Les vis doivent être fixées solidement dans le bois ou le

plancher massif. Ne pas tenter de fixer les vis sur une cloison sèche.



## Raccordement électrique

La cuisinière peut être connectée à l'aide d'un cordon électrique pour cuisinière (comme indiqué à la section précédente « Spécifications électriques ») ou au moyen d'un raccordement électrique à conduit flexible.

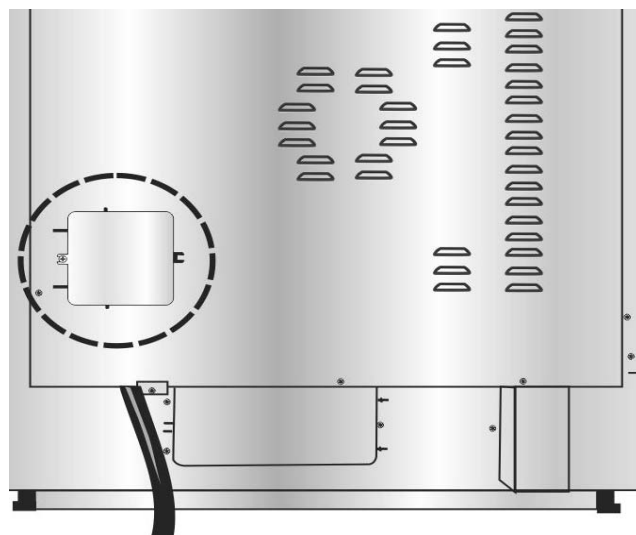
### ⚠ AVERTISSEMENT

Ne pas utiliser une rallonge. Si le cordon d'alimentation est trop court, demandez à un électricien qualifié d'installer une prise près de l'appareil.

**Remarque :** Au Canada, la cuisinière est expédiée de l'usine avec le cordon d'alimentation déjà en place. Passer à la section « Terminer l'installation », page 14.

**Remarque :** Il est recommandé de confier l'ajout d'un cordon d'alimentation ou les raccordements électriques de cet appareil uniquement à des personnes qualifiées.

Pour les installations en dehors du Canada, raccorder le cordon de la cuisinière au bornier. Pour accéder au bornier, retirer le couvercle dans le coin inférieur gauche du panneau arrière de la cuisinière.



## Installation du réducteur de tension

Mettre le réducteur de tension en place dans le panneau amovible sous le bornier.

### ▲ AVERTISSEMENT

Le réducteur de tension livré avec le cordon de votre cuisinière doit être correctement installé. Les réducteurs de tension varient d'un modèle à l'autre. Lire et suivre attentivement les instructions comprises avec votre réduction de tension.

1. Dans le panneau amovible qui se trouve sous le bornier, retirer la plaque d'éjection qui s'adapte sur le réducteur de tension livré avec le cordon d'alimentation de votre cuisinière.
2. Faire passer le cordon d'alimentation de la cuisinière par le trou et le réducteur de tension jusqu'au bornier. Laisser un peu de mou dans le cordon entre le réducteur de tension et le bornier.
3. Une fois la longueur et le mou du cordon ajustés, fixer le réducteur de tension selon les instructions comprises avec ce dernier.

**Conseil :** Le panneau amovible (sous le bornier) peut être retiré de la cuisinière pour installer le réducteur de tension. Retirer le panneau de la cuisinière, installer le réducteur de tension dans le panneau et remettre celui-ci en place. NE PAS retirer complètement le panneau arrière de la cuisinière.

## Préparation pour le raccordement électrique

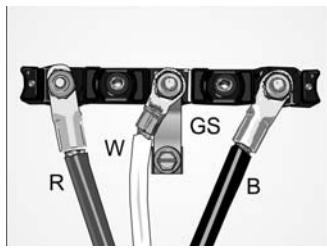
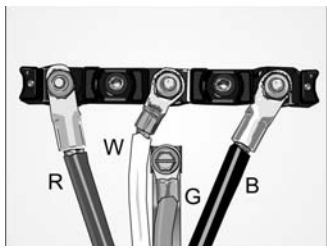
### ▲ AVERTISSEMENT

Risque de choc électrique ou d'incendie. Le cadre est mis à la terre au neutre à l'aide d'un conducteur de terre. La mise à la terre par le conducteur neutre est interdite pour les nouvelles installations de circuit terminal (NEC 1996), les maisons mobiles et les véhicules de plaisance ou dans les endroits où les codes locaux interdisent la mise à la terre par un conducteur neutre.

Pour les installations où la mise à la terre par le conducteur neutre est interdite : (a) débrancher le fil du conducteur neutre, (b) utiliser la borne ou le fil de mise à la terre pour mettre l'appareil à la terre, (c) raccorder la borne neutre au conducteur neutre du circuit de dérivation de la façon habituelle. Lorsque l'appareil doit être branché au moyen d'un ensemble de cordon, utiliser un cordon à 4 conducteurs prévu à cet effet.

Utiliser uniquement des ensembles de cordon d'alimentation électrique avec une puissance nominale de 125/250 volts, 40 ampères (minimum) et portant la marque « Pour utilisation avec les cuisinières ». Le réducteur de

tension fourni avec le cordon doit être installé selon les instructions comprises avec ce dernier.

Branchement à 3 fils	Branchement à 4 fils
	
R = Rouge W = Blanc GS = Bande de mise à la terre B = Noir	R = Rouge W = Blanc G = Vert B = Noir

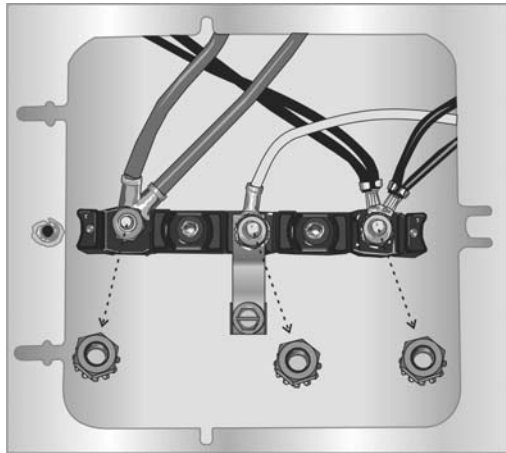
### ▲ AVERTISSEMENT

Pour éviter un choc électrique, en aucun cas le contact de mise à la terre sur le cordon d'alimentation de la cuisinière doit-il être coupé ou supprimé. Il doit être branché dans une prise avec mise à la terre homologuée et relié à un circuit de 240 volts correctement polarisé. S'il y a un doute quelconque concernant la mise à la terre correcte de la prise murale, faire vérifier l'installation par un électricien qualifié.

## Raccordement du cordon à 4 fils de la cuisinière (méthode recommandée)

1. Débrancher le courant au niveau du boîtier disjoncteurs. Retirer le cache-bornes pour exposer le bornier.
2. Retirer l'écrou supérieur (il comporte une rondelle frein) de chaque borne.

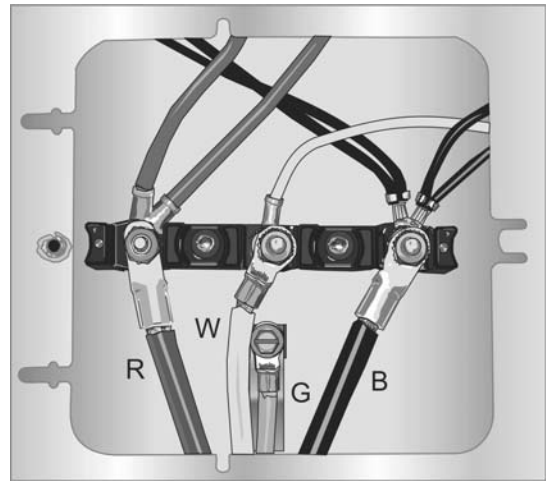
**Remarque :** NE PAS enlever le (la) deuxième écrou/ rondelle sur chaque borne. Ceux-ci doivent rester à leur place pour pouvoir fixer les fils internes reliés au bornier.



3. Retirer la vis de l'extrémité inférieure du conducteur de terre.
4. Retirer la vis de mise à la terre verte de l'extrémité inférieure du ruban de mise à la terre. Retirer l'extrémité supérieure du ruban de mise à la terre de la borne centrale de la barre de jonction. Faire pivoter la bande de mise à la terre (A) de sorte que la grande extrémité se trouve sur le dessus et aligner le trou avec le trou de mise à la terre sous le bornier. Utiliser la vis de mise à la terre verte (B) pour connecter le fil vert (G) sur le dessus du ruban de mise à la terre. Serrer les vis de mise à la terre à fond, mais ne pas trop serrer.



5. Connecter le fil rouge à la borne gauche du bloc de raccordement au moyen de l'un(e) des écrous/ rondelles retirés à l'étape 2.



6. Connecter le fil blanc à la borne centrale du bloc de raccordement au moyen de l'un(e) des écrous/ rondelles.
7. Connecter le fil noir à la borne droite du bloc de raccordement au moyen de l'un(e) des écrous/ rondelles.
8. Serrer solidement toutes les connexions et remettre le cache-bornes en place.
9. Fixer solidement et correctement le réducteur de tension (voir section précédente).

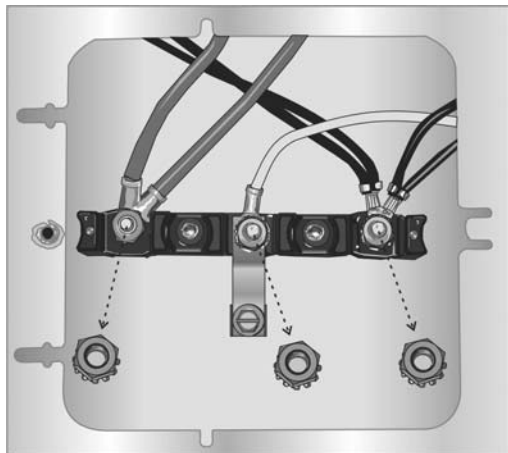
**Remarque :** NE PAS brancher la cuisinière pour l'instant.

#### Raccordement du cordon à 3 fils de la cuisinière (autre méthode)

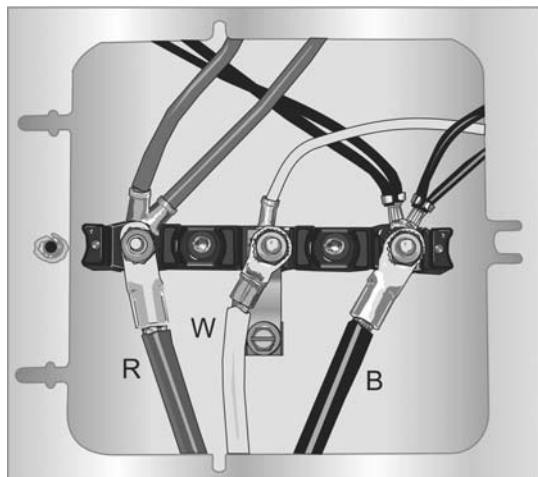
Le raccordement à 4 fils (ci-dessus) est préférable mais lorsque les codes et règlements locaux autorisent la mise à la terre à travers le neutre, et là où la conversion à un raccordement à 4 fils est impossible à mettre en œuvre, l'appareil peut être raccordé à l'alimentation via une méthode de raccordement à 3 fils.

1. Débrancher le courant au niveau du boîtier de disjoncteurs.
2. Retirer le cache-bornes pour exposer le bornier.
3. Retirer l'écrou supérieur (il comporte une rondelle frein) de chaque borne.

**Remarque :** NE PAS enlever le (la) deuxième écrou/ rondelle sur chaque borne. Ceux-ci doivent rester à leur place pour pouvoir fixer les fils internes reliés au bornier.



4. Connecter le fil blanc à la borne centrale du bloc de raccordement au moyen de l'un(e) des écrous/ rondelles.
5. Connecter le fil rouge à la borne gauche du bloc de raccordement au moyen de l'un(e) des écrous/ rondelles retirés à l'étape 2.
6. Connecter le fil noir à la borne droite du bloc de raccordement au moyen de l'un(e) des écrous/ rondelles.



7. Serrer solidement toutes les connexions et remettre le cache-bornes en place.
8. Fixer solidement et correctement le réducteur de tension (voir section précédente).

**Remarque :** NE PAS brancher la cuisinière pour l'instant.

## Raccordement du conduit électrique flexible

La cuisinière peut également être raccordée au moyen d'un conduit flexible. Si vous utilisez cette méthode, toujours utiliser les cosses fournies.

**Remarque :** Au Canada, la cuisinière est expédiée de l'usine avec le cordon d'alimentation déjà en place. Passer à « *Terminer l'installation* ». Pour les installations en dehors du Canada, raccorder le conduit flexible au bornier.

### Raccordement cosse/fil

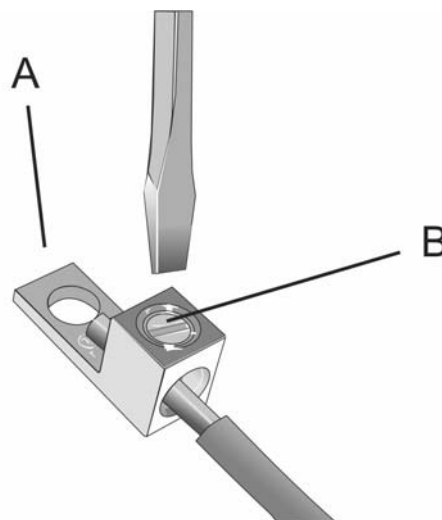
Chaque fois qu'un fil doit être relié à une cosse, effectuer les étapes suivantes :

1. Dénuder 3/8 po (9,5 mm) d'isolant de l'extrémité du fil.



2. Insérer l'extrémité dénudée du fil dans la cosse (voir A sur le schéma ci-dessous), puis serrer chaque vis de blocage (voir B sur le schéma ci-dessous) en serrant au couple approprié (voir le tableau).

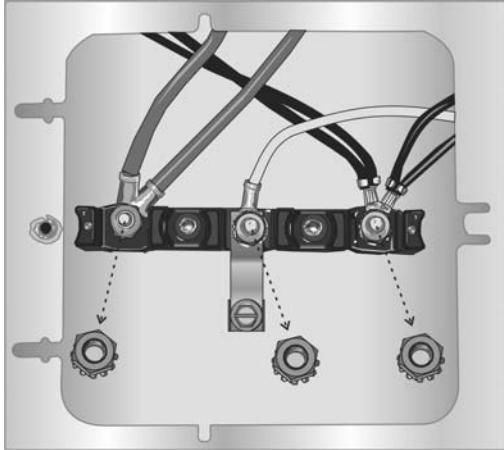
Calibre de fil	Couple (po/lb)	Couple (Nm)
6	35	3,95
8	25	2,82



### Raccordement à 4 fils en conduit flexible

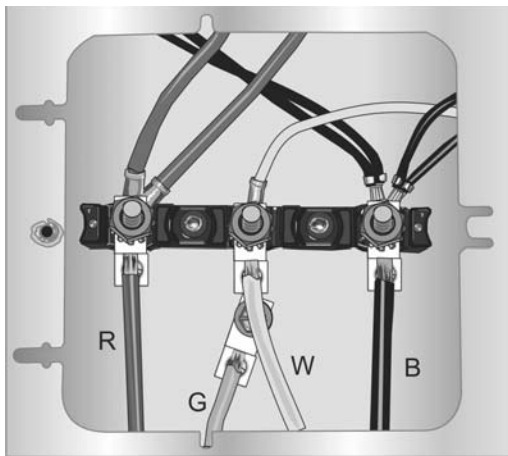
1. Débrancher le courant au niveau du boîtier de disjoncteurs.
2. Retirer le cache-bornes pour exposer le bornier.

- Retirer l'écrou supérieur (il comporte une rondelle frein) de chaque borne.



**Remarque :** NE PAS enlever le (la) deuxième écrou/ron-delle sur chaque borne. Ceux-ci doivent rester à leur place pour pouvoir fixer les fils internes reliés au bornier.

- Retirer la vis de mise à la terre verte de l'extrémité inférieure du ruban de mise à la terre.
- Retirer le ruban de mise à la terre de la borne centrale sur le bornier. Le ruban ne sera pas nécessaire avec l'installation électrique en conduit flexible. Retirez-le de l'appareil.



- Connecter le fil de mise à la terre isolé (G) à une cosse (emballée avec le présent manuel) et fixer solidement la cosse au trou de mise à la terre à l'aide de la vis de mise à la terre verte. Serrer fermement la vis, mais ne pas trop serrer.
- Connecter le fil rouge (R) à une cosse et mettre la cosse en place sur la borne gauche. Remettre la vis/ rondelle en place sur la borne et serrer au couple de serrage de 20 po/lb (2.26 nm).
- Connecter le fil noir (B) à une cosse et mettre la cosse en place sur la borne droite. Remettre la vis/rondelle en place sur la borne et serrer au couple de serrage de 20 po/lb (2.26 nm).

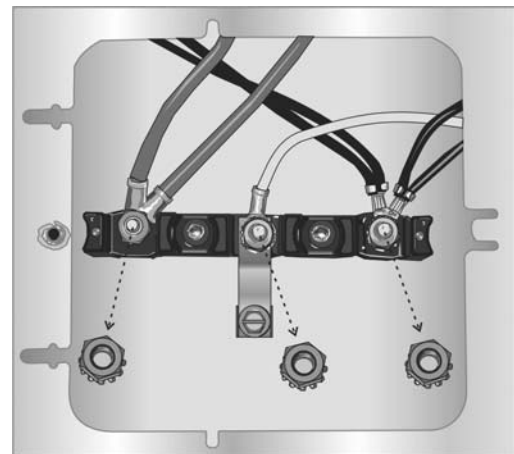
- Fixer solidement et correctement le conduit flexible au panneau amovible à l'angle et au côté alimentation de la boîte de jonction. Le câblage est maintenant terminé.

**Remarque :** NE PAS brancher le courant électrique à la cuisinière pour le moment.

#### Raccordement à 3 fils en conduit flexible

Un raccordement à 4 fils est préférable mais lorsque les codes et règlements locaux autorisent la mise à la terre via le neutre, et/ou là où la conversion à un raccordement à 4 fils est impossible à mettre en œuvre, l'appareil peut être raccordé à l'alimentation via une méthode de raccordement à 3 fils.

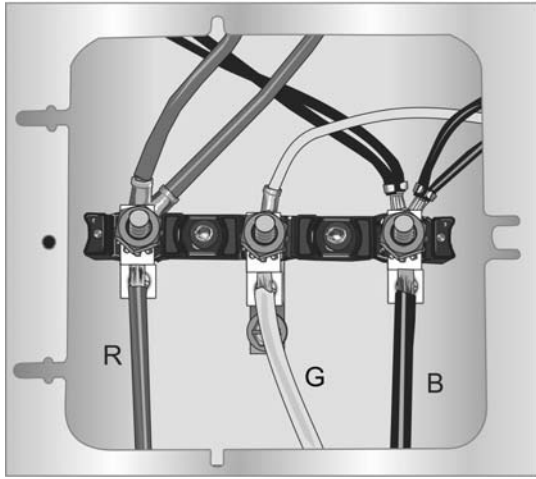
- Débrancher le courant au niveau du boîtier de disjoncteurs.
- Retirer le cache-bornes pour exposer le bornier.
- Retirer l'écrou supérieur, la rondelle en étoile et la rondelle plate de chaque cosse.



**Remarque :** NE PAS retirer la dernière rondelle plate, le dernier écrou ou les fils conducteurs internes.

- (voir le schéma suivant) Connecter le fil rouge (R) à une cosse (emballée avec le présent manuel) et mettre la cosse en place sur la borne gauche. Remettre la vis/ rondelle en place sur la borne et serrer au couple de serrage de 20 po/lb (2.26 nm).
- Connecter le fil noir (B) à une cosse et mettre la cosse en place sur la borne droite. Remettre la vis/rondelle en place sur la borne et serrer au couple de serrage de 20 po/lb (2.26 nm).
- Connecter le fil vert (G) à une cosse et mettre la cosse en place sur la borne centrale. Remettre la vis/rondelle en place sur la borne et serrer au couple de serrage de 20 po/lb (2.26 nm).

- Fixer solidement et correctement le conduit flexible au panneau amovible sur la cuisinière et au côté de l'alimentation électrique de la boîte de jonction. Le câblage est maintenant terminé.

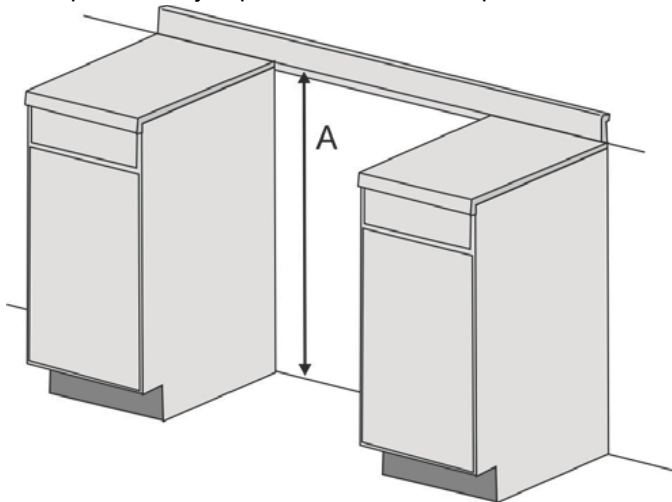


**Remarque :** NE PAS brancher le courant électrique à la cuisinière pour le moment.

## Terminer l'installation

### Ajuster les pieds de nivellement

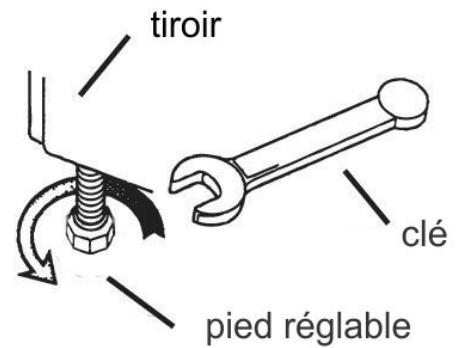
- S'assurer que le disjoncteur est déconnecté (OFF), puis brancher le cordon de la cuisinière dans la prise de courant.
- Placer la cuisinière devant l'ouverture.
- Mesurer (A) le coin arrière gauche de l'ouverture depuis le sol jusqu'au dessus du comptoir.



- Mesurer le coin arrière gauche de la cuisinière jusqu'à la partie inférieure de la table de cuisson (B). Régler le pied de nivellement jusqu'à ce que la hauteur obtenue soit la même que la dimension du coin.



- Répéter cette opération pour le coin arrière droit.
- Utiliser une clé de 1¼ po (32 mm) pour ajuster les pieds de nivellement avant de manière à ce que la hauteur mesurée depuis la partie inférieure de la table de cuisson jusqu'au sol corresponde à la hauteur mesurée de la surface correspondante du comptoir.



## Faire glisser la cuisinière dans l'ouverture

### ⚠ ATTENTION

Cet appareil est lourd et il faut au moins deux personnes ou l'équipement approprié pour le déplacer.

### ⚠ AVIS

Pour éviter tout risque d'endommagement de la porte du four de la cuisinière, ne pas soulever, pousser, ni tirer celle-ci par la poignée de la porte. Après avoir retiré la porte, passer la main à l'intérieur de la cavité du four, en haut, pour repérer une zone renflée près de la partie avant de celui-ci. Faire attention à ne pas toucher l'élément chauffant du four qui se trouve également sur la partie supérieure de la cavité du four, juste derrière la zone renflée.



**Remarque :** Il est recommandé de porter des gants et des manches longues pour protéger les mains et les avant-bras contre les écorchures et les éraflures possibles lors du soulèvement de l'appareil. Il est également recommandé d'enlever montres et bijoux et de porter des chaussures de travail pendant l'installation pour se protéger les pieds.

1. Retirer la porte du four en suivant la procédure « Démontage de la porte du four », page 15, et soulever la cuisinière pour la retirer du socle d'emballage.
2. Brancher le cordon d'alimentation.
3. Mouiller le comptoir et le plancher au bas de l'ouverture avec de l'eau savonneuse.

**Remarque :** Nettoyer immédiatement l'eau savonneuse résiduelle après avoir fait coulisser la cuisinière pour la mettre en place.

4. Faire glisser la cuisinière dans l'ouverture en veillant à ne pas détériorer les comptoirs, les sols ou le devant de la porte ou du tiroir-réchaud de la cuisinière. Ne pas exercer de pression sur la table de cuisson en la faisant glisser pour la mettre en place. Veiller à ne pas plier le raccord électrique flexible.

5. Installer la porte du four en suivant la procédure « Remontage de la porte du four », page 17.

### Vérifier l'arrière de la cuisinière pour s'assurer que l'installation est conforme

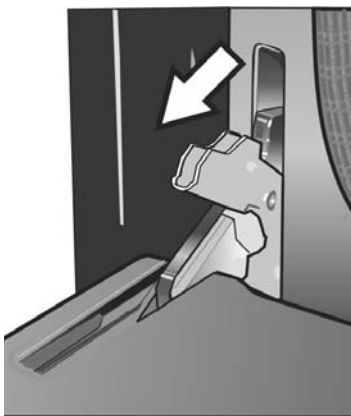
1. La table de cuisson doit reposer légèrement sur le comptoir.
2. Il ne doit y avoir aucun espace entre le comptoir et la table de cuisson; toutefois, le poids de la cuisinière ne doit pas reposer sur le comptoir. Regarder sous la cuisinière pour vérifier que les deux pieds arrière reposent solidement sur le sol. Vérifier également que le pied gauche de la cuisinière est retenu par le support antibasculement. Démontage/Remontage de la porte du four et du tiroir-réchaud.

## Démontage de la porte du four

### ⚠ AVERTISSEMENT

Lors du démontage de la porte du four :

- Avant de démonter la porte, s'assurer que le four est froid et que le courant qui l'alimente a été coupé. Le non-respect de cette précaution pourrait entraîner un choc électrique ou des brûlures.
- La porte du four est lourde et certaines parties sont fragiles. Utiliser les deux mains pour l'enlever. Le devant de la porte est en verre. À manipuler avec précaution pour éviter les cassures.
- Saisir uniquement les côtés de la porte. Ne pas saisir la poignée, car elle peut pivoter dans la main et causer des dommages ou des blessures.
- Si la porte du four n'est pas saisie fermement et correctement, il y a un risque de lésion corporelle ou de dommage au produit.
- Pour éviter toute blessure causée par l'enclenchement soudain du support de charnière, s'assurer que les deux leviers sont bien enclenchés avant d'enlever la porte. En outre, ne pas forcer la porte pour l'ouvrir ou la fermer car la charnière risque de s'abîmer et vous pourriez vous blesser.
- Après avoir démonté la porte, ne pas la poser sur des objets acérés ou pointus car ceux-ci risquent de briser la vitre. Disposer la porte sur une surface plane et lisse afin qu'elle ne risque pas de tomber.



Pour prévenir les blessures ou les dommages, veiller à lire L'AVERTISSEMENT ci-dessus avant de tenter de démonter la porte du four.

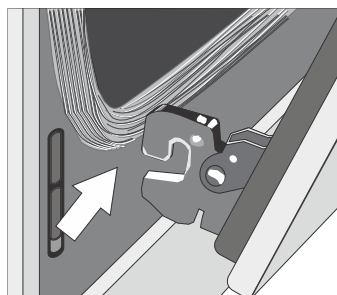
1. Ouvrir complètement la porte du four jusqu'à ce qu'elle soit à l'horizontale.
2. Basculer les leviers des charnières vers soi.

**Remarque :** Il est parfois nécessaire d'utiliser un outil, tel un tournevis, pour forcer délicatement la partie supérieure du levier pour dégager celui-ci du bâti. Faire attention à ne pas rayer le bâti.

3. Abaissez complètement les deux leviers de charnière de la porte comme le montre l'illustration. Les leviers de charnières gauche et droit de la porte peuvent être légèrement différents mais fonctionnent de la même manière.



4. Fermer la porte du four jusqu'à ce qu'elle s'accroche sur les leviers d'arrêt des charnières, en bloquant les charnières à l'angle adéquat afin de pouvoir retirer la porte. La porte sera ouverte d'environ 7 po (178 mm) sur la partie supérieure. Ceci a pour effet d'éliminer la tension des ressorts exercée sur les charnières ce qui permet de soulever aisément la porte.

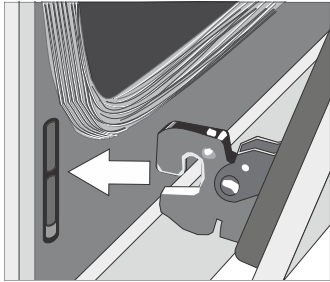


5. La porte est lourde. Saisir la porte fermement à deux mains en la prenant par les côtés. Ne pas saisir la porte par la poignée. Tout en conservant l'angle de la porte, soulever celle-ci vers le haut d'environ  $\frac{3}{4}$  po (19 mm) pour décrocher les charnières des logements, puis tirer la porte vers vous jusqu'à ce que les charnières se dégagent du bâti du four.
6. Placer la porte dans un endroit pratique et stable pour le nettoyage.

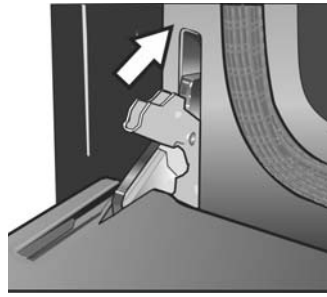


## Remontage de la porte du four

---



1. Maintenir la porte fermement avec les deux mains en l'ayant saisie par les côtés et non pas par la poignée.
2. Incliner légèrement la porte vers vous jusqu'à ce qu'elle s'ouvre en sa partie supérieure d'environ 7 po (177 mm).
3. Faire glisser les charnières dans les logements aussi loin que possible, puis abaisser la porte tout droit vers le bas. L'angle que forme la porte devra éventuellement être légèrement ajusté pour permettre aux charnières de s'engager correctement et à la porte de se mettre en place lorsqu'elle est abaissée. La porte doit s'abaisser d'environ  $\frac{3}{4}$  po (19 mm) et s'arrêter. Si cela n'est pas le cas, les charnières ne se sont pas correctement engagées et la porte pourrait tomber une fois lâchée.
4. Une fois les deux charnières complètement engagées comme décrit à l'étape 3, ouvrez entièrement la porte avec précaution.



5. Poussez les leviers sur les deux charnières vers le haut jusqu'à ce qu'ils soient bloqués dans le logement en affleurement de la partie avant du bâti du four.
  6. Fermer et ouvrir la porte lentement pour s'assurer qu'elle est correctement et solidement installée.
-

## Démontage du tiroir-réchaud

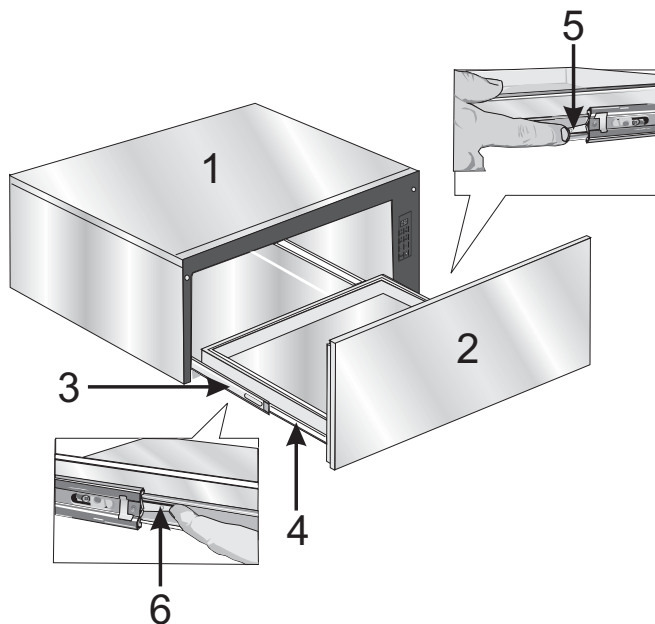
### ⚠ ATTENTION

Pour éviter le risque de brûlure, ne pas enlever le tiroir alors qu'il est chaud. S'assurer que le tiroir est vide avant de le retirer.

1. Tirer sur le tiroir jusqu'à son ouverture complète.
2. Appuyer sur l'agrafe droite du tiroir.
3. Relever l'agrafe gauche du tiroir.
4. Tirer fermement le tiroir d'un coup sec. Rentrer les glissières du bâti une fois le tiroir retiré.

### Pièces

1	Bâti
2	Tiroir
3	Glissière du bâti
4	Rail du tiroir
5	L'agrafe droite du tiroir
6	L'agrafe gauche du tiroir



## Remontage du tiroir-réchaud

1. Veiller à enfoncer les glissières du bâti à l'intérieur de celui-ci.
2. Aligner les rails du tiroir avec les glissières du bâti montées sur le bâti du tiroir.
3. Enfoncer fermement le tiroir à l'intérieur du logement jusqu'à ce qu'il se mette en place avec un déclic.  
**Remarque** : Le tiroir est équipé d'un mécanisme d'ouverture à pression « push-to-open ». Il suffit d'exercer une légère pression sur la face avant inférieure du tiroir, au centre, pour qu'il s'ouvre automatiquement.
4. Ouvrir et fermer le tiroir pour en tester le fonctionnement. **Remarque** : Si le tiroir ne se ferme pas, vérifier que les rails du tiroir sont correctement alignés sur les glissières du bâti et que les leviers de dégagement des rails sont dans la position correcte.

## Tests de fonctionnement

### Faire un essai sur le mode du four

1. Remettre en service l'alimentation électrique au niveau du disjoncteur.
2. Faire un essai sur le mode d'utilisation du four. Sélectionner le mode **CUISSON**. Voir le Guide d'utilisation et d'entretien pour des consignes d'exploitation détaillées.
3. Vérifier que l'éclairage du four s'allume et que le four commence à préchauffer.
4. Tester le verrou de la porte.  
Régler le mode **NETTOYAGE AUTO**. Confirmer que la porte est verrouillée lorsque l'icône représentant un verrou apparaît sur l'affichage.
5. Si l'un des tests ne donne pas les résultats escomptés, comme indiqué ci-dessus, contacter le service de dépannage de Bosch pour obtenir de l'aide. Sinon, continuer à tester les brûleurs de la surface de cuisson.

Si l'un des tests ne donne pas les résultats escomptés, comme indiqué ci-dessus, contacter le service de dépannage de Bosch pour obtenir de l'aide. Autrement, l'installation est maintenant terminée.

---

# Dépannage

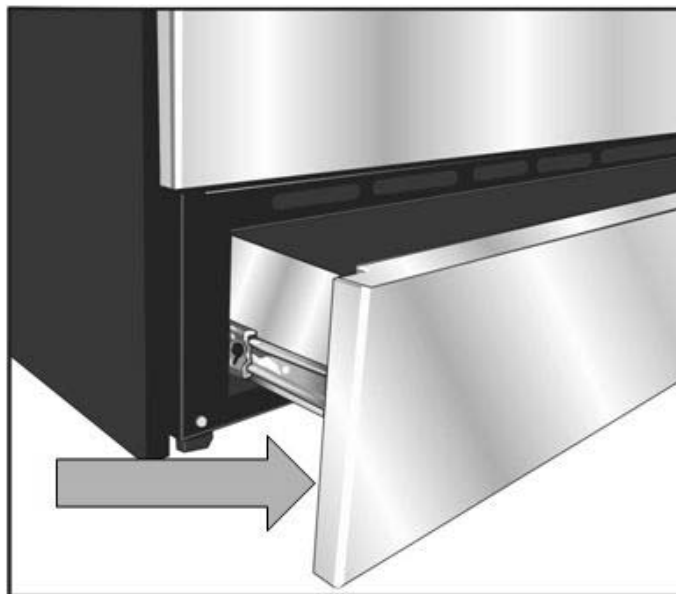
## Avant d'appeler le service de dépannage

Voir le Guide d'utilisation et d'entretien pour obtenir des informations concernant le dépannage. Consulter la garantie dans le Guide d'utilisation et d'entretien.

Pour contacter un technicien de dépannage, consultez les coordonnées sur la couverture avant du manuel. Lorsque vous téléphonez, soyez prêt à fournir les informations imprimées sur la plaque signalétique de votre produit.

### Plaque signalétique

La plaque signalétique comporte le numéro de modèle et le numéro de série. Se reporter à la plaque signalétique de l'appareil électroménager pour faire une demande de dépannage. La plaque signalétique se trouve au dos de la façade du tiroir. Ouvrez le tiroir pour la voir.





# Índice

<b>Definiciones de seguridad</b> .....	<b>1</b>	<b>Prueba de funcionamiento</b> .....	<b>18</b>
<b>Seguridad</b> .....	<b>2</b>	<b>Servicio técnico</b> .....	<b>19</b>
<b>Preparación</b> .....	<b>5</b>	Antes de llamar al servicio técnico .....	19
<b>Antes de comenzar</b> .....	<b>5</b>		
Herramientas y piezas necesarias .....	5		
Piezas incluidas .....	5		
Piezas adicionales necesarias para instalaciones con conexión alámbrica .....	5		
Retire el embalaje .....	5		
<b>Lista de verificación de instalación</b> .....	<b>5</b>		
<b>Información general</b> .....	<b>6</b>		
Dimensiones totales .....	6		
Ubicación nivelada y a plomo .....	6		
Consejos de instalación .....	6		
Requisitos eléctricos .....	6		
<b>Requisitos de gabinetes</b> .....	<b>7</b>		
Instalación de la ventilación .....	7		
Espacio libre requerido .....	7		
Preparación de las paredes y del piso .....	9		
Requisitos de la superficie de trabajo .....	9		
<b>Procedimiento de instalación</b> .....	<b>9</b>		
<b>Instalación del soporte anticaídas</b> .....	<b>9</b>		
<b>Conexión eléctrica</b> .....	<b>10</b>		
Conexión del conducto flexible eléctrico ...	13		
Cómo completar la instalación .....	14		
Cómo retirar la puerta del horno .....	16		
Cómo volver a colocar la puerta del horno .	17		
Cómo retirar el cajón calentador .....	18		
Cómo volver a colocar el cajón calentador .	18		

Este electrodoméstico de Bosch es fabricado por  
BSH Home Appliances Corporation  
1901 Main Street, Suite 600  
Irvine, CA 92614

¿Tiene preguntas?

1-800-944-2904

[www.bosch-home.com/us](http://www.bosch-home.com/us)

¡Esperamos recibir sus comentarios!



---

# Definiciones de seguridad

---

## ADVERTENCIA

---

Esto indica que pueden producirse la muerte o lesiones graves como resultado de la falta de cumplimiento de esta advertencia.

---

## PRECAUCIÓN

---

Esto indica que pueden producirse lesiones menores o moderadas como resultado de la falta de cumplimiento de esta advertencia.

---

**AVISO:** Esto indica que pueden producirse daños al electrodoméstico o a materiales como resultado de la falta de cumplimiento de esta recomendación.

Nota: Esto le avisa sobre información y/o consejos importantes.

---

# Seguridad

---

## ⚠ ADVERTENCIA

Si no sigue exactamente la información de este manual, pueden ocurrir un incendio o una explosión que pueden causar daños a materiales o lesiones personales.

---

---

## ⚠ ADVERTENCIA

No repare ni reemplace ninguna parte del electrodoméstico, a menos que se recomiende específicamente en los manuales. La instalación, el servicio técnico o el mantenimiento incorrectos pueden causar lesiones o daños materiales. Consulte este manual para su orientación. Cualquier otro tipo de reparación debe ser realizada por un técnico calificado.

- **Pídale a su distribuidor que le recomiende un técnico calificado y un servicio técnico de reparación autorizado.**
  - **Instálela únicamente conforme a las instrucciones de instalación que se proporcionan en el paquete de material impreso que se incluye junto con esta estufa.**
  - **Nunca modifique ni altere la construcción de la estufa, entre lo que se incluye retirar patas niveladoras, paneles, cubiertas de alambres, soportes o tornillos anticaídas, o cualquier otra pieza del electrodoméstico.**
- 

---

## ⚠ ADVERTENCIA

### ¡PELIGRO DE CAÍDA!

Un niño o un adulto pueden hacer caer la estufa y morir. Verifique que el soporte anticaídas esté instalado firmemente. Asegúrese de que el soporte anticaídas esté enganchado al mover la estufa a una nueva ubicación.



No utilice la estufa si el soporte anticaídas no está en su lugar. Si no se siguen las instrucciones incluidas en este manual, podrían producirse quemaduras graves o la muerte en niños y adultos.

Verifique la instalación y el uso adecuados del soporte anticaídas. Con cuidado, incline la estufa hacia adelante jalando desde la parte trasera, a fin de asegurarse de que el soporte anticaídas esté enganchado en la pata de la estufa y evite las caídas. La estufa no debe moverse más de 1 pulg. (25 mm).

---

**LEA TODAS LAS INSTRUCCIONES ANTES DE UTILIZAR ESTE ELECTRODOMÉSTICO.**



## Seguridad con el manejo del electrodoméstico

### **⚠ PRECAUCIÓN**

- La unidad es pesada y se requieren, al menos, dos personas o un equipo adecuado para trasladarla.
- Las superficies ocultas pueden tener bordes filosos. Proceda con cuidado al intentar tomar el electrodoméstico por la parte trasera o desde abajo.
- No utilice el horno ni el cajón calentador (si viene equipado) para almacenar objetos.

No levante el electrodoméstico por el mango de la puerta del horno. Retire la puerta del horno para que la manipulación y la instalación resulten más fáciles. Consulte la sección “Cómo retirar la puerta del horno” que se encuentra en el Manual de uso y cuidado de la estufa.

La unidad es pesada y se requieren, al menos, dos personas o un equipo adecuado para trasladarla.

Las superficies ocultas pueden tener bordes filosos. Proceda con cuidado al intentar tomar el electrodoméstico por la parte trasera o desde abajo.

### **Cómo desechar los materiales de embalaje**

Retire toda la cinta y el embalaje antes de usar la estufa. Destruya el cartón y las bolsas de plástico después de desembalar la estufa. Nunca deje que los niños jueguen con los materiales de embalaje.

### **Códigos y normas de seguridad**

Este electrodoméstico cumple con una o más de las siguientes normas:

- UL 858: Estufas eléctricas de uso doméstico (Household Electric Ranges)
- CAN/CSA-C22.2 n.º 61: Estufas para cocinar de uso doméstico

Es responsabilidad del propietario y del instalador determinar si se aplican otros requisitos y/o normas en instalaciones específicas.

### **Lugar de instalación**

Para eliminar el riesgo de quemaduras o incendio al tocar las unidades de superficie calentadas, se debe evitar dejar espacio de almacenamiento en gabinetes sobre las unidades de superficie. En el caso de que haya almacenamiento en gabinetes, se puede reducir el riesgo instalando una campana que se proyecte horizontalmente 5 pulg. (127 mm), como mínimo, desde la parte inferior del gabinete.

Verifique que los gabinetes que se encuentran arriba de la placa tengan, como máximo, 13 pulg. (330 mm) de profundidad.

### **Seguridad de los niños**

No almacene objetos de interés para niños en los gabinetes que se encuentran sobre la estufa ni en la placa antisalpicaduras de una estufa. Si los niños se suben a la estufa para alcanzar estos objetos, podrían sufrir lesiones graves.

### **Seguridad con la electricidad**

Antes de enchufar un cable eléctrico, asegúrese de que todos los controles estén en la posición OFF (Apagado).

Asegúrese de que su electrodoméstico sea instalado y conectado a tierra en forma adecuada por un técnico calificado de acuerdo con la última edición del Código Eléctrico Nacional (National Electrical Code), ANSI/NFPA 70 y los requisitos del código eléctrico local.

Los códigos locales varían. La instalación, las conexiones eléctricas y la conexión a tierra deben cumplir con todos los códigos correspondientes.

Para los electrodomésticos equipados con cable y enchufe, no corte ni retire la espiga de conexión a tierra. Debe enchufarse en un receptáculo de conexión a tierra compatible para evitar la descarga eléctrica. Si el cliente tiene alguna duda respecto de si el receptáculo de pared está correctamente conectado a tierra, debe solicitar la verificación de un electricista calificado.

Si lo requiere el Código Nacional Eléctrico (National Electrical Code) (o Código Eléctrico Canadiense [Canadian Electrical Code]), este electrodoméstico debe instalarse en un circuito derivado por separado.

Únicamente se utilizará un kit de cable de alimentación eléctrica clasificado para este electrodoméstico y marcado “para uso con estufas”.

**Instalador:** muestre al propietario la ubicación del disyuntor o del fusible. Márquela para identificarla más fácilmente.

**Importante:** conserve estas instrucciones para el uso por el inspector de electricidad local.

Antes de realizar la instalación, apague la alimentación eléctrica en el panel de servicio. Trabe el panel de servicio para impedir que se encienda accidentalmente la alimentación eléctrica.

Consulte la placa de datos para obtener más información. Consulte “Placa de datos” en la sección “Servicio técnico” para conocer la ubicación de la placa de datos.

## Seguridad del equipo relacionado

Retire toda la cinta y el embalaje antes de usar el electrodoméstico. Destruya el embalaje después de desembalar el electrodoméstico. Nunca deje que los niños jueguen con el material de embalaje.

Nunca modifique ni altere la construcción del electrodoméstico. Por ejemplo, no retire las patas niveladoras, los paneles, las cubiertas de cables ni los soportes/tornillos anticaídas.

---

### ADVERTENCIA

---

#### **Advertencias de la Propuesta 65 del Estado de California:**

Este producto contiene productos químicos que el estado de California sabe causan cáncer, defectos congénitos u otros daños reproductivos.

---

**IMPORTANTE AVISO DE SEGURIDAD:** La Ley de Aplicación de la Reglamentación sobre Agua Potable Segura y Sustancias Tóxicas de California (California Safe Drinking and Toxic Enforcement Act) exige al Gobernador de California publicar una lista de sustancias que el estado sabe causan cáncer, defectos congénitos u otros daños reproductivos, y exige a las empresas advertir a los clientes de la posible exposición a dichas sustancias.

# Preparación

## Antes de comenzar

### Herramientas y piezas necesarias

- Kit de cable de alimentación eléctrica de 40 o 50 A con protección para cables (según el código local).  
**Nota:** No es necesario para instalaciones canadienses; el cable se preinstala en la fábrica.
- Cinta métrica
- Destornillador con cabeza Phillips
- Llave de 1¼ pulg.
- Lápiz
- Destornillador Torx T-20
- Tornillos (2) y anclajes (2) para el soporte anticaídas (el estilo variará según la superficie de montaje)
- Nivel
- Taladro y broca de taladro (broca para mampostería de 3/16 pulg. para tornillos para hormigón)
- Agua jabonosa
- Guantes y gafas de seguridad
- Paño o cartón (opcionales; para proteger el piso)

### Piezas incluidas

- Soporte anticaídas
- 2 tornillos para madera
- 2 tornillos para hormigón sin ancla
- Cinta de espuma (a menos que ya esté instalada en la parte inferior de los lados de la placa)
- Orejetas terminales (necesarias para instalaciones con conexión alámbrica).  
**Nota:** Las orejetas terminales no son necesarias para las instalaciones canadienses.

### Piezas adicionales necesarias para instalaciones con conexión alámbrica

- Conducto flexible
- Llave de apriete

**Nota:** El kit de cable de alimentación eléctrica no es necesario para las instalaciones con conexión alámbrica.

### Retire el embalaje

- Si hay correas, corte las correas.
- Corte el plástico en la parte posterior inferior de la unidad, asegurándose de no cortar la unidad.
- Retire la película de plástico.

- Levante el cartón por encima de la parte superior de la unidad y retírelo de la unidad.
- Retire los postes de cartón de las esquinas, asegurándose de retirar también todos los postes u otros materiales de embalaje que se encuentren entre los postes de las esquinas.
- Retire todo el embalaje interno y toda la cinta.
- Deje la parte inferior del embalaje en su lugar hasta que esté cerca de la abertura del gabinete para la estufa.

## Lista de verificación de instalación

Consulte las páginas siguientes para obtener instrucciones de instalación completas. Utilice esta lista de verificación para controlar que haya completado cada paso del proceso de instalación. Esto puede ayudarlo a evitar errores comunes.

- \_\_\_ 1. Antes de instalar la estufa, asegúrese de controlar que las dimensiones del gabinete sean adecuadas para su unidad y que se hayan realizado las conexiones eléctricas requeridas.
- \_\_\_ 2. Consulte el manual de instalación para obtener información sobre Seguridad, Dimensiones del gabinete, Cómo retirar el embalaje, Instalación eléctrica, Cómo probar la instalación y Servicio al cliente.
- \_\_\_ 3. Retirar la puerta del horno y el cajón calentador antes de la instalación reduce el peso de la unidad y hace que la estufa sea más fácil de mover. Además, retirar la puerta del horno proporciona acceso al asidero a fin de levantarla.
- \_\_\_ 4. Mueva la estufa y colóquela en su lugar delante de la abertura de instalación, y deje la parte inferior del embalaje en la unidad para evitar dañar el piso.
- \_\_\_ 5. Enchufe la estufa en un receptáculo configurado en forma adecuada.
- \_\_\_ 6. Proteja el piso de daños; luego, levante la estufa fuera de la parte inferior del embalaje y deslícela por completo hasta su lugar, y asegúrese de direccionar el cable de alimentación en forma correcta.
- \_\_\_ 7. Reinstale la puerta del horno que retiró en el paso 3 anterior.
- \_\_\_ 8. Consulte las instrucciones de instalación completas y siga el resto de los procedimientos mencionados, incluida la realización de una prueba de funcionamiento.

# Información general

## Dimensiones totales

Dimensión	Pulgadas	Centímetros
Altura	36½ pulg. - 38 pulg.	927 mm - 966 mm
Ancho	31½ pulg.	800 mm
Profundidad	26¾ pulg.	681 mm

## Ubicación nivelada y a plomo

Para obtener mejores resultados, los gabinetes, las superficies de trabajo, las paredes y los pisos de la ubicación de instalación deben estar lo más nivelados y a plomo posible. Las irregularidades pueden causar daños a las superficies de trabajo y a los pisos durante la instalación, y pueden tener un efecto adverso sobre el rendimiento de la cocción y del horneado.

## Consejos de instalación

Para hacer que la estufa sea más liviana y más fácil de manipular durante la instalación, retire la puerta del horno de la estufa y el cajón calentador (consulte la sección acerca de cómo retirar/volver a instalar la puerta y el cajón calentador).

Si no se retira el cajón calentador, se debe colocar cinta firmemente en el cajón calentador antes de la instalación para evitar que se abra mientras se instala la estufa.

Coloque un trozo de cartón o paño debajo de la estufa durante la instalación para proteger los pisos.

## Requisitos eléctricos

Consulte la placa de datos para obtener más información. Consulte la "Placa de datos" del producto en la sección sobre Servicio técnico en este manual.

Recomendamos instalar la estufa con un conjunto de cable de alimentación (no suministrado con modelos de EE. UU.). La capacidad nominal eléctrica del conjunto de cable de alimentación debe ser de 120/240 V, con un mínimo de 40 amperios. El conjunto de cable de alimentación debe tener la marca "Para uso con estufas". Siempre use un nuevo cable de alimentación.

Verifique que el cableado a la casa sea adecuado. Comuníquese con su compañía de servicios públicos local para verificar que el servicio eléctrico actual a su hogar sea adecuado. En algunas instancias, debe aumentarse el tamaño del cableado a la casa y del interruptor de servicio para manejar la carga eléctrica que necesita la estufa.

Algunos códigos de cableado requieren un circuito separado con interruptores de desconexión y fusibles por separado, ya sea en el panel principal de entrada o en una caja de

interruptores y fusibles por separado.

La estufa requiere un mínimo de un circuito de tres alambres de 120/240 o 120/208 V, 40 a 50 A, 60 Hz, CA. Verifique los códigos locales para obtener información sobre capacidades nominales de amperaje adecuadas. Se prefiere una conexión de cuatro alambres. La mayoría de las reglamentaciones y los códigos de edificación locales requieren que el cableado eléctrico sea realizado por electricistas con licencia. Asegúrese de instalar su estufa de acuerdo con los códigos eléctricos de su región.

## Capacidad nominal eléctrica de kW

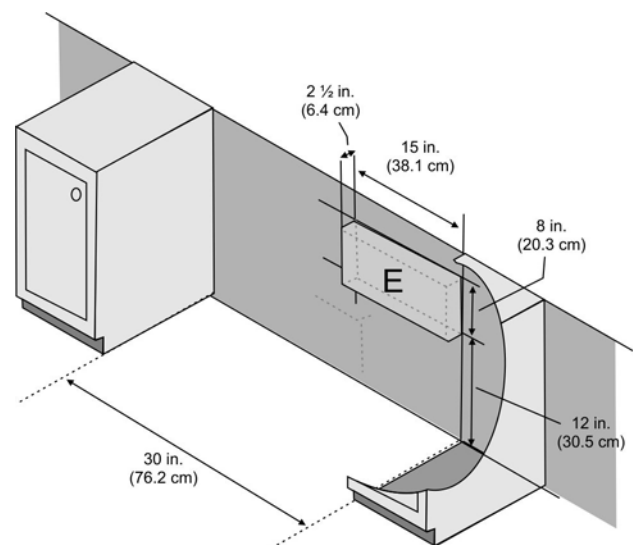
Las estufas tienen una capacidad nominal doble para utilizar con 120/240 V CA o 120/208 V CA. Verifique la placa de datos para obtener información sobre la capacidad nominal de kW. Consulte la capacidad nominal de kW que se encuentra en la tabla a continuación para determinar los requisitos de amperaje.

VOLTIOS CA	HZ	CAPACIDAD NOMINAL KW	DISYUNTOR DISYUNTOR
120/240	60	13.0	40 o 50 A*
120/240	60	13.8	40 o 50 A*
120/208	60	9.8	40 o 50 A*
120/208	60	10.4	40 o 50 A*

\* Varía por ubicación. Verifique los códigos locales.

## Ubicación de la toma de corriente eléctrica

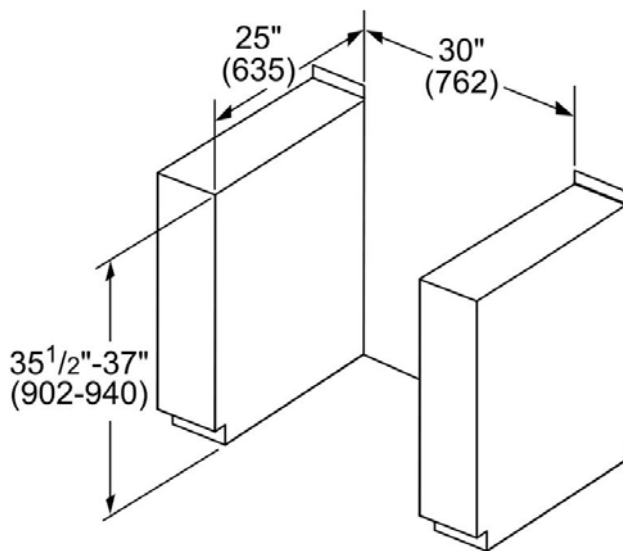
Se requiere una toma de corriente de circuito dedicado de 208/240 V CA y montaje a ras. Utilice el diagrama que se encuentra a continuación para asegurarse de que su instalación esté correctamente preparada para la estufa. Observe que el espacio disponible para la toma de corriente se muestra en el casillero gris (E) en la siguiente ilustración.



# Requisitos de gabinetes

Esta unidad está diseñada para la instalación cerca de paredes adyacentes y superficies que sobresalen construidas de materiales combustibles. Prepare la superficie de trabajo y los gabinetes.

Deje un mínimo de 30 pulg. (762 mm) entre los gabinetes donde instalará la estufa. No se requiere espacio libre lateral. La altura se establece ajustando las patas de la estufa (consulte la sección que aparece más adelante, "Cómo completar la instalación").



**Nota:** La estufa deslizante también puede reemplazar una estufa independiente. En este caso, verifique que la abertura sea de, al menos, 30 pulg. (762 mm).

## Instalación de la ventilación

Bosch recomienda categóricamente la instalación de una campana de ventilación arriba de esta estufa. Para la mayoría de las cocinas, se recomienda una capacidad nominal de campana certificada de no menos de 300 pies cúbicos por minuto (cubic feet per minute, CFM). La campana de la estufa debe instalarse según las instrucciones proporcionadas con la campana.

## Espacio libre requerido

Estas instrucciones se determinaron utilizando gabinetes estadounidenses estándares. Los gabinetes estándares de base tienen 36 pulg. (914 mm) de alto x 25 pulg. (635 mm) de profundidad. Los gabinetes sobre la superficie de cocción y los gabinetes adyacentes a los que se encuentran sobre la superficie de cocción tienen 13 pulg. (330 mm) de profundidad desde la pared trasera. Si se utilizan gabinetes no estándares, debe tenerse cuidado de alterar las dimensiones de manera acorde.

### ▲ ADVERTENCIA

Para eliminar el riesgo de quemaduras o incendio al tocar las unidades de superficie calentadas, se debe evitar dejar espacio de almacenamiento en gabinetes sobre las unidades de superficie. En el caso de que haya almacenamiento en gabinetes, se puede reducir el riesgo instalando una campana que se proyecte horizontalmente 5 pulg. (127 mm), como mínimo, desde la parte inferior del gabinete.

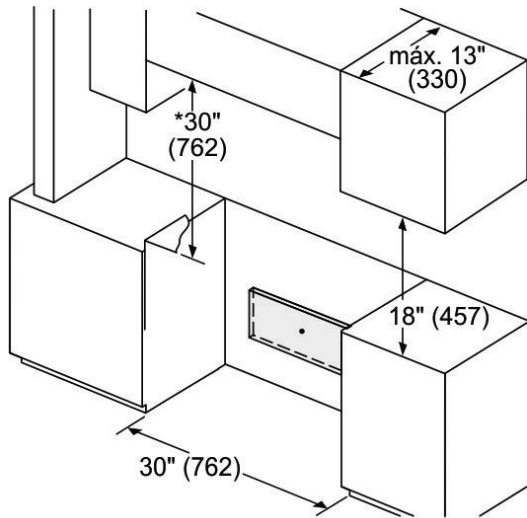
### Desde la placa hasta los materiales que se encuentran sobre esta:

- Debe haber un espacio libre mínimo de 30 pulg. (762 mm) entre la parte superior de la superficie de cocción y la parte inferior de un gabinete de madera o metal sin protección.
- Bosch recomienda los espacios libres mínimos que se muestran en los diagramas de instalación incluidos en este manual. Los espacios libres de los materiales no combustibles cuentan con la certificación CSA. El uso de espacios libres más pequeños de los que se muestran en los diagramas de instalación deben ser aprobados por los códigos locales y/o por la autoridad local que tenga jurisdicción.

### Desde la superficie de cocción hasta los materiales laterales:

No se requiere espacio libre desde las paredes de la unidad hasta las paredes combustibles verticales adyacentes en la parte trasera, la derecha o la izquierda.

**Nota:** Algunas terminaciones de gabinetes no pueden soportar las temperaturas permitidas por las normas de seguridad, en especial los hornos de autolimpieza; los gabinetes podrían decolorarse o mancharse. Esto puede notarse más con gabinetes laminados.



Dimensiones en pulgadas (mm)

\* Distancia mínima de 30" a una superficie inflamable que se encuentra encima. Al instalar una campana extractora o un microondas con extracción integrada tener en cuenta las distancias indicadas para estos productos.

#### Los materiales ignífugos llevan la siguiente leyenda:

UNDERWRITERS LABORATORIES INC. CLASSIFIED MINERAL AND FIBER BOARDS SURFACE BURNING CHARACTERISTICS (CARACTERÍSTICAS DE COMBUSTIÓN DE SUPERFICIES DE TABLEROS DE MINERAL Y FIBRA CLASIFICADAS POR UNDERWRITERS LABORATORIES INC.), seguida por la propagación de llamas y las clasificaciones de humo. Estas designaciones aparecen como "FHC (propagación de llamas/humo desarrollado)". Los materiales con una clasificación de propagación de llamas "O" son ignífugos. Los códigos locales pueden permitir otras clasificaciones de propagación de llamas. Es responsabilidad del instalador garantizar que la instalación se realice de acuerdo con estas clasificaciones.

## Preparación de las paredes y del piso

Selle cualquier orificio en las paredes o el piso. Retire cualquier obstrucción (conexiones eléctricas o de gas adicionales, etc.) de modo que la estufa se apoye contra la pared en forma adecuada.

## Requisitos de la superficie de trabajo

Las superficies de trabajo deben ser uniformes y estar niveladas.

# Procedimiento de instalación

## Instalación del soporte anticaídas

### ⚠ ADVERTENCIA

Un niño o un adulto pueden hacer caer la estufa y morir. Verifique que el soporte anticaídas esté firmemente instalado. Asegúrese de que el soporte anticaídas esté enganchado cuando se mueva la estufa.

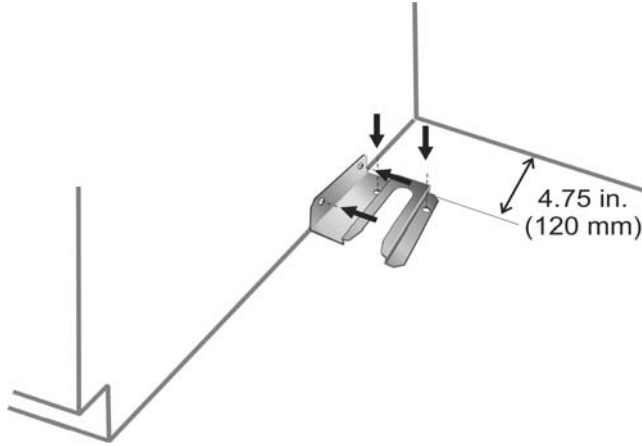


La estufa puede caer hacia adelante y posiblemente provocar lesiones y daños si no se instala correctamente el soporte anticaídas. No utilice la estufa si el soporte anticaídas no está en su lugar.

### Pasos para instalar el soporte anticaídas

1. Ajuste la altura de la estufa para que esta coincida con la altura de la superficie de trabajo girando las bases regulables de las patas que se encuentran en la parte inferior de la estufa. Para ello, utilice una llave de 1¼ pulg.
2. Coloque el soporte, como se muestra a continuación, en la esquina izquierda trasera de la abertura de instalación, contra la pared trasera y la pared izquierda del gabinete. Monte el soporte utilizando dos tornillos en el piso o en la base del gabinete adyacente.  
**Nota:** La superficie de montaje debe estar asegurada. Al montar en la pared del gabinete, asegúrese de que los tornillos enganchen la estructura del gabinete, no solo la pared delgada del gabinete. No utilice un bloque ni un separador para llenar el espacio entre el soporte anticaídas y la pared del gabinete.
3. Asegure el soporte con dos tornillos al piso o a la base de la pared del gabinete. Según el material del piso o del gabinete, utilice tornillos para madera o tornillos para hormigón sin ancla (incluidos). Los tornillos para hormigón requieren el uso de una broca para mampostería de 3/16 pulg. Los tornillos deben brindar

una sujeción firme en la madera o en el piso sólidos.  
No intente anclar en pared seca.



## Conexión eléctrica

La estufa puede conectarse utilizando un cable de estufa eléctrica (según se especifica en la sección anterior de requisitos eléctricos) o una conexión eléctrica de conducto flexible.

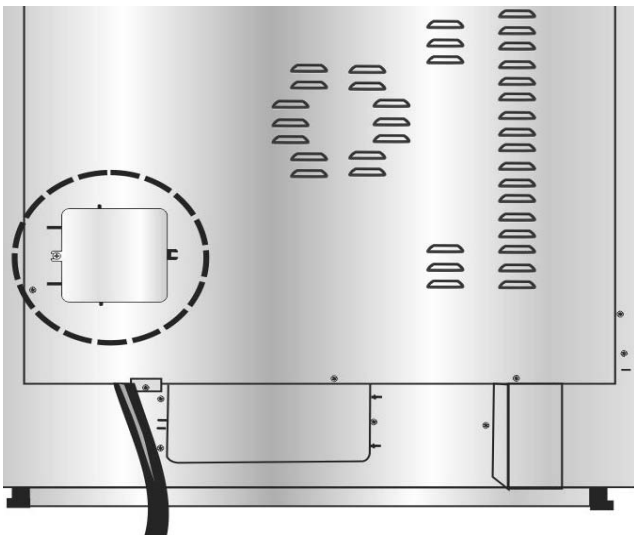
### ⚠ ADVERTENCIA

No use un cable de extensión. Si el cable de alimentación eléctrica es demasiado corto, solicite a un electricista calificado que instale una toma de corriente cerca del electrodoméstico.

**Nota:** En Canadá, la estufa se envía desde la fábrica con el cable de la estufa ya instalado. Continúe en “Cómo completar la instalación” en la página 14.

**Nota:** Se recomienda que solo las personas calificadas agreguen un cable de alimentación a este electrodoméstico o realicen conexiones eléctricas con este.

Para instalaciones que no sean en Canadá, conecte el cable de la estufa en el bloque de terminales. Acceda al bloque de terminales retirando la cubierta en la esquina inferior izquierda del panel trasero de la estufa.



## Instalación de protección para cables

Coloque la protección para cables en el orificio prepunzonado que se encuentra debajo del bloque de terminales.

### ⚠ ADVERTENCIA

El protector para cable que se proporciona con su cable de la estufa debe estar instalado de manera adecuada. Los protectores para cable varían. Lea y siga con cuidado las instrucciones que se incluyen con su protección para cables.

1. En el panel prepunzonado que se encuentra debajo del bloque de terminales, retire el orificio prepunzonado que entra en el protector para cable suministrado con su cable de la estufa.
2. Pase el cable de la estufa a través del orificio y coloque la protección para cables hasta el bloque de terminales. Deje un juego en el cable entre la protección para cable y el bloque de terminales.
3. Una vez que se hayan ajustado la longitud/el juego del cable, coloque la protección para cables conforme a las instrucciones que se incluyen con la protección para cables.

**Sugerencia:** El panel prepunzonado (debajo del bloque de terminales) puede retirarse de la estufa para instalar la protección para cables. Retire el panel de la estufa, instale la protección para cables en el panel y vuelva a colocarlo. NO retire todo el panel de la parte trasera de la estufa.

## Preparación para la conexión de alimentación eléctrica

### ⚠ ADVERTENCIA


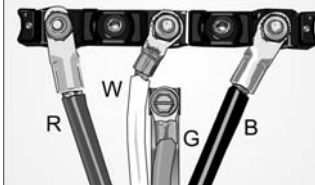
Riesgo de descarga eléctrica o incendio. La estructura está conectada a tierra a un conductor neutro mediante una correa de conexión a tierra. Se prohíbe la conexión a tierra mediante el conductor neutro para nuevas instalaciones de circuito derivado (1996 NEC), casas rodantes y vehículos recreativos, o en un área en la que los códigos locales prohíban la conexión a tierra mediante el conductor neutro.

Para instalaciones en las que se prohíba la conexión a tierra mediante el conductor neutro: (a) desconecte el enlace desde el conductor neutro, (b) utilice el terminal o hilo de conexión a tierra para conectar a tierra la unidad, (c) conecte el terminal neutro al hilo neutro del circuito derivado de la manera habitual. Cuando el electrodoméstico deba conectarse mediante un kit de cable, utilice un cable de 4 conductores para este fin.

Utilice únicamente kits de cable con capacidad nominal de 125/250 voltios, 40 amperios (como mínimo) y con la etiqueta “Para uso con estufas”. Debe instalarse la



protección para cables que se proporciona con el cable conforme a las instrucciones que se incluyen con el cable.

Acoplamiento de 3 cables	Acoplamiento de 4 cables
	
<p>R = Rojo W = Blanco GS = Tira de conexión a tierra B = Negro</p>	<p>R = Rojo W = Blanco G = Verde B = Negro</p>

### ⚠ ADVERTENCIA

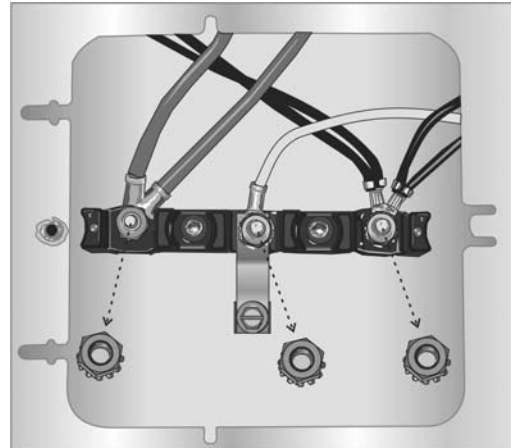
Para evitar descargas eléctricas, la clavija de conexión a tierra del cable de la estufa no debe cortarse ni retirarse bajo ninguna circunstancia. Debe enchufarse en un receptáculo correspondiente de tipo de conexión a tierra y conectarse a un circuito de 240 V correctamente polarizado. Si tiene alguna duda respecto de si el receptáculo de pared está correctamente conectado a tierra, solicite la verificación por un electricista calificado.

### Conexión de un cable de estufa de cuatro alambres (método recomendado)

1. Desconecte la energía eléctrica en la caja de disyuntores. Retire la cubierta del bloque de terminales para exponer el bloque de terminales.
2. Retire la tuerca superior (tiene una arandela de sujeción colocada) de cada poste.

**Nota:** NO retire la segunda tuerca/arandela en cada poste; estas deben permanecer en su lugar para

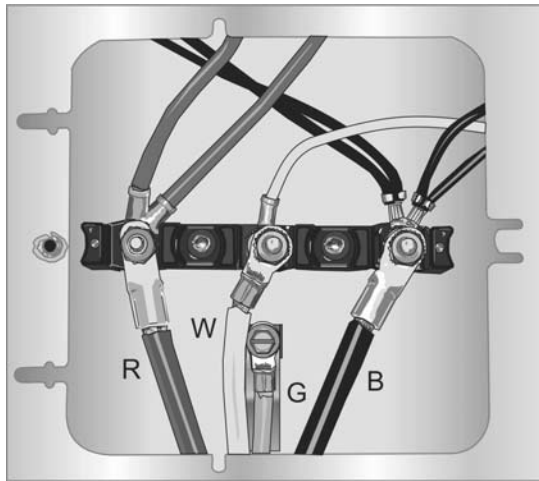
anclar el cableado interno conectado al bloque de terminales.



3. Retire el tornillo del extremo inferior de la correa de conexión a tierra.
4. Retire el tornillo de conexión a tierra verde del extremo inferior de la correa de conexión a tierra. Retire el extremo superior de la correa de conexión a tierra del poste central de la barra de empalme. Rote la tira de conexión a tierra (A) de modo que el extremo amplio dé hacia arriba y alinee el orificio con el orificio de conexión a tierra debajo del bloqueo de terminales. Utilice el tornillo de conexión a tierra verde (B) para conectar el cable verde (G) encima de la correa de conexión a tierra. Ajuste el tornillo de conexión a tierra firmemente, pero no lo ajuste en exceso.



5. Conecte el cable rojo al terminal del bloque de empalme izquierdo utilizando una de las tuercas/arandelas que se retiraron en el paso 2.



6. Conecte el cable blanco al terminal del bloque de empalme central utilizando una de las piezas de tuerca/arandela.
7. Conecte el cable negro al terminal del bloque de empalme derecho utilizando una de las piezas de tuerca/arandela.
8. Ajuste todas las conexiones firmemente y Vuelva a colocar la cubierta del bloque de terminales.
9. Asegure en forma adecuada la protección para cables (consulte la sección previa).

**Nota:** NO enchufe la estufa en este momento.

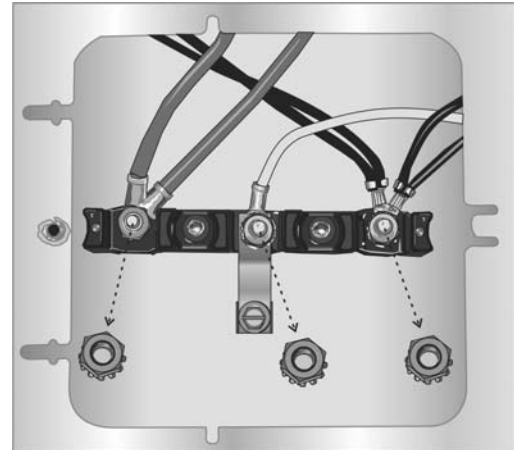
#### Conexión de un cable de estufa de tres alambres (método alternativo)

Se prefiere la conexión de cuatro alambres (anterior), pero en los casos en los que los códigos y las ordenanzas locales permiten la conexión a tierra mediante el conductor neutro y en los que la conversión a cuatro alambres no es práctica, la unidad puede conectarse a la fuente de alimentación mediante una conexión de tres alambres.

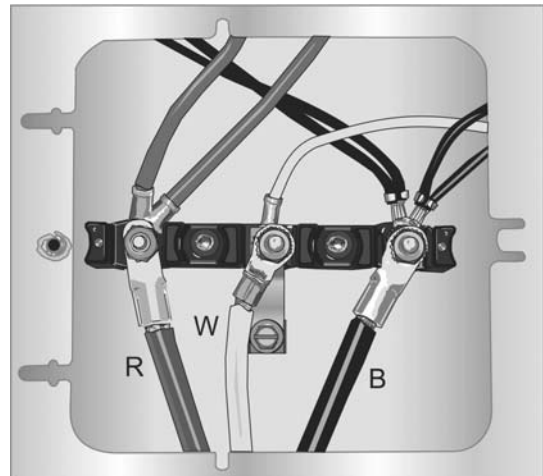
1. Desconecte la energía eléctrica en la caja de disyuntores.
2. Retire la cubierta del bloque de terminales para exponer el bloque de terminales.
3. Retire la tuerca superior (tiene una arandela de sujeción colocada) de cada poste de terminal.

**Nota:** NO retire la segunda tuerca/arandela en cada poste. Estas deben permanecer en su lugar para

anclar el cableado interno conectado al bloque de terminales.



4. Conecte el cable blanco al terminal del bloque de empalme central utilizando una de las piezas de tuerca/arandela.
5. Conecte el cable rojo al terminal del bloque de empalme izquierdo utilizando una de las piezas de tuerca/arandela que se retiraron en el paso 2.
6. Conecte el cable negro al terminal del bloque de empalme derecho utilizando una de las piezas de tuerca/arandela.



7. Ajuste todas las conexiones firmemente y vuelva a colocar la cubierta del bloque de terminales.
8. Asegure en forma adecuada la protección para cables (consulte la sección previa).

**Nota:** NO enchufe la estufa en este momento.

## Conexión del conducto flexible eléctrico

La estufa también puede conectarse mediante un conducto flexible. Si se utiliza este método, siempre use las orejetas suministradas.

**Nota:** En Canadá, la estufa se envía desde la fábrica con el cable de la estufa ya instalado. Continúe hasta "Cómo completar la instalación". Para instalaciones que no sean en Canadá, conecte el conducto flexible en el bloque de terminales.

### Orejeta terminal/Conexión de cable

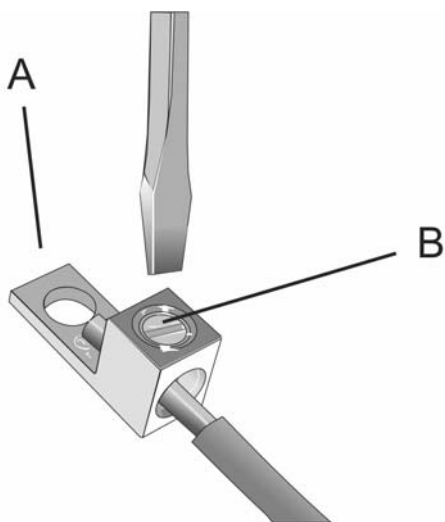
Cada vez que un cable esté conectado a una orejeta terminal, siga los siguientes pasos:

1. Desforre 3/8 pulg. (9.5 mm) de aislamiento desde el extremo del cable.



2. Introduzca el extremo desforrado del cable en la orejeta terminal (consulte A en la figura a continuación) y, luego, apriete cada tornillo de sujeción (consulte B en la figura a continuación) con el apriete adecuado (consulte la tabla).

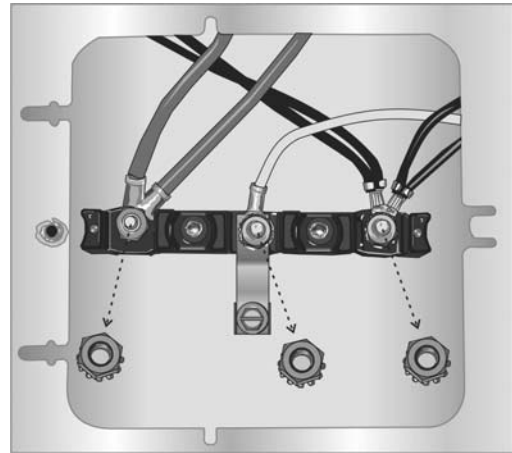
Calibre del cable	Apriete (in/lb)	Apriete (Nm)
6	35	3.95
8	25	2.82



### Conexión del conducto flexible de cuatro alambres

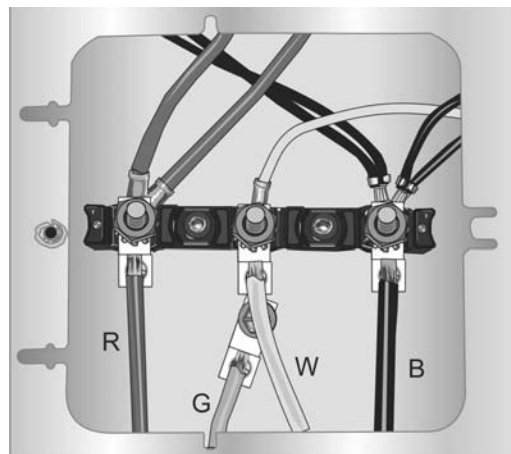
1. Desconecte la energía eléctrica en la caja de disyuntores.

2. Retire la cubierta del bloque de terminales para exponer el bloque de terminales.
3. Retire la tuerca superior (tiene una arandela de sujeción colocada) de cada poste de terminal.



**Nota:** NO retire la segunda tuerca/arandela en cada poste. Estas deben permanecer en su lugar para anclar el cableado interno conectado al bloque de terminales.

4. Retire el tornillo de conexión a tierra verde del extremo inferior de la correa de conexión a tierra.
5. Retire la correa de conexión a tierra del poste central en el bloque de terminales. La correa no se necesitará con la instalación eléctrica del conducto flexible. Retírela de la unidad.



6. Conecte el cable con conexión a tierra aislado (G) en la orejeta terminal (que se embala con este manual) y asegure la orejeta terminal al orificio con conexión a tierra con el tornillo verde con conexión a tierra. Ajuste el tornillo firmemente, pero no lo ajuste en exceso.
7. Conecte el cable rojo (R) a la orejeta terminal y coloque la orejeta terminal en el poste izquierdo. Vuelva a colocar la tuerca/arandela en el poste y ajústela hasta 20 in/lb (2.26 nm) de apriete.
8. Conecte el cable negro (B) a la orejeta terminal y coloque la orejeta terminal en el poste derecho. Vuelva

a colocar la tuerca/arandela en el poste y ajústela hasta 20 in/lb (2.26 nm) de apriete.

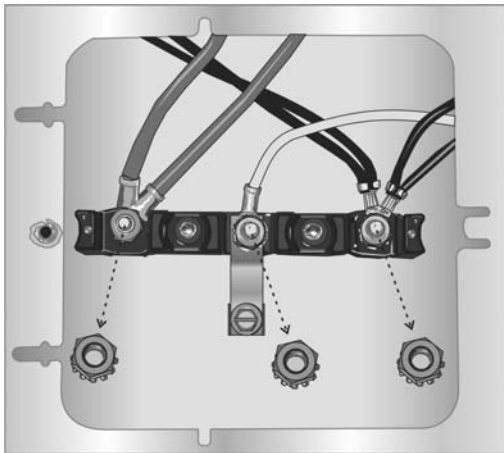
9. Asegure en forma adecuada el conducto flexible en el orificio prepunzonado en ángulo y en la caja de empalme del lado de suministro. El cableado ahora está completado.

**Nota:** NO conecte la energía eléctrica a la estufa en este momento.

### Conexión del conducto flexible de tres alambres

Se prefiere una conexión de cuatro alambres, pero en los casos en los que los códigos y las ordenanzas locales permitan la conexión a tierra mediante el conductor neutro y/o en los que la conversión a cuatro cables no sea práctica, la unidad puede conectarse a la fuente de alimentación mediante una conexión de tres cables.

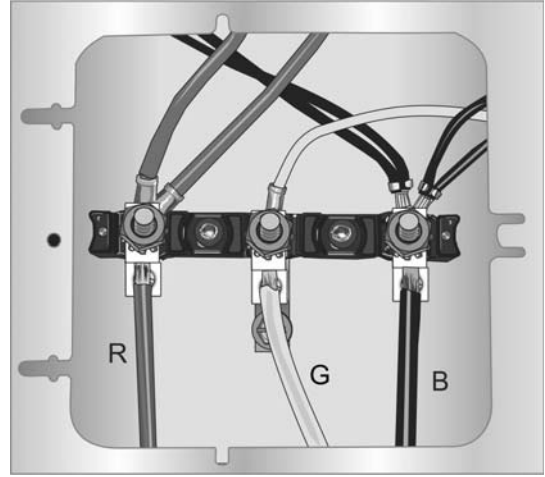
1. Desconecte la energía eléctrica en la caja de disyuntores.
2. Retire la cubierta del bloque de terminales para exponer el bloque de terminales.
3. Retire la tuerca superior, la arandela de estrella y la arandela redonda de cada poste.



**Nota:** NO retire la última arandela redonda, la última tuerca ni los hilos de alambres internos.

4. (consulte la siguiente figura) Conecte el cable rojo (R) a la orejeta terminal (que se embala con este manual) y coloque la orejeta terminal en el poste izquierdo. Vuelva a colocar la tuerca/arandela en el poste y ajústela hasta 20 in/lb (2.26 nm) de apriete.
5. Conecte el cable negro (B) a la orejeta terminal y coloque la orejeta terminal en el poste derecho. Vuelva a colocar la tuerca/arandela en el poste y ajústela hasta 20 in/lb (2.26 nm) de apriete.
6. Conecte el cable verde (G) a la orejeta terminal y coloque la orejeta terminal en el poste central. Vuelva a colocar la tuerca/arandela en el poste y ajústela hasta 20 in/lb (2.26 nm) de apriete.

7. Asegure en forma adecuada el conducto flexible en el panel prepunzonado en la estufa y en la caja de empalme del lado de suministro. El cableado ahora está completado.

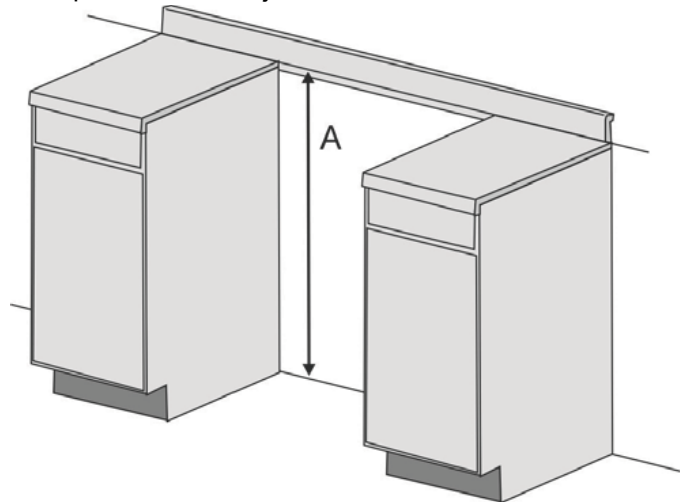


**Nota:** NO conecte la energía eléctrica a la estufa en este momento.

## Cómo completar la instalación

### Ajuste de las patas niveladoras

1. Asegúrese de que el disyuntor esté apagado y, luego, enchufe el cable de la estufa en la toma de corriente.
2. Alinee la estufa en frente de la abertura.
3. Mida (A) la esquina izquierda de la parte trasera de la abertura desde el piso hasta la parte superior de la superficie de trabajo.

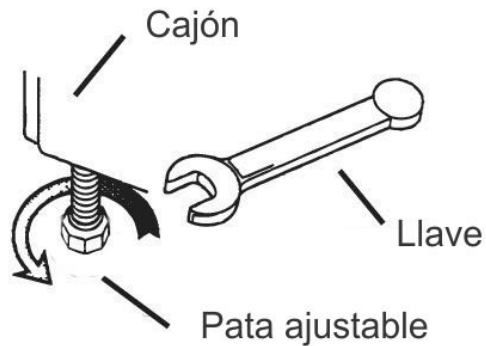


4. Mida la esquina izquierda de la parte trasera de la estufa hasta la parte inferior de la placa (B). Ajuste las

patas niveladoras hasta que su altura sea la misma que la dimensión de la esquina.



5. Repita el procedimiento en la esquina derecha de la parte trasera.
6. Use una llave de 1¼ pulg. para ajustar las patas niveladoras delanteras, de modo que la altura desde la parte inferior de la placa hasta el piso coincida con la altura de la superficie de trabajo correspondiente.



## Deslice la estufa en la abertura

### ⚠ PRECAUCIÓN

La unidad es pesada y se requieren, al menos, dos personas o un equipo adecuado para trasladarla.

### ⚠ AVISO

Para evitar el riesgo de daños a la puerta del horno de la estufa, no levante, presione ni tire la estufa del mango de la puerta. Después de que la puerta haya sido retirada, extienda la mano dentro de la parte superior de la cavidad del horno para ubicar un área con surcos cerca de la parte delantera del horno. Tenga cuidado de no tocar el elemento de calentamiento del horno, que también se encuentra en la parte superior de la cavidad del horno, justo detrás del área con surcos.



**Nota:** Se recomienda usar guantes y mangas largas para proteger las manos y los antebrazos de la abrasión y de posibles raspaduras durante el proceso de levantamiento. También se recomienda quitarse los relojes de mano y las alhajas, y usar calzado de trabajo durante la instalación para proteger los pies.

1. Retire la puerta del horno usando el procedimiento "Cómo retirar la puerta del horno" en la página 16 y levante la estufa fuera de la base del embalaje.
2. Enchufe el cable de alimentación.
3. Humedezca la superficie de trabajo y el piso de la parte inferior de la abertura con agua jabonosa.  
**Nota:** Limpie cualquier resto de agua jabonosa inmediatamente después de deslizar la estufa en su lugar.
4. Deslice la estufa en la abertura teniendo cuidado de no dañar las superficies de trabajo, los pisos ni la parte delantera de la puerta de la estufa o del cajón calentador. No aplique presión a la placa cuando la desliza en su posición. Tenga cuidado de no doblar el conector eléctrico flexible.

5. Instale la puerta del horno usando el procedimiento "Cómo volver a colocar la puerta del horno" en la página 17.

### Verificación de la parte trasera de la estufa para determinar si se instaló en forma adecuada

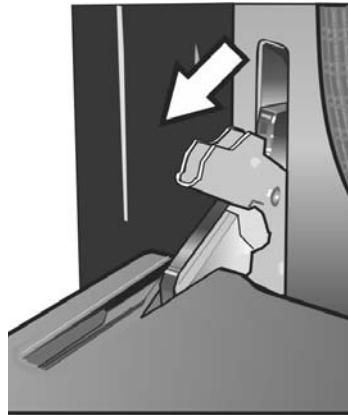
1. La placa debe apoyarse ligeramente sobre la superficie de trabajo.
2. No debe haber ninguna separación entre la superficie de trabajo y la placa; sin embargo, el peso de la estufa no debe recaer sobre la superficie de trabajo. Mire debajo de la estufa para verificar que ambas patas traseras estén apoyadas firmemente en el piso. También verifique que la pata izquierda de la estufa quede retenida por el soporte anticaídas. Cómo retirar/ volver a colocar la puerta del horno y el cajón calentador

## Cómo retirar la puerta del horno

### ⚠ ADVERTENCIA

Al retirar la puerta:

- Asegúrese de que el horno esté frío y de que la alimentación eléctrica al horno esté apagada antes de retirar la puerta. No hacerlo puede ocasionar una descarga eléctrica o quemaduras.
- La puerta del horno es pesada y sus piezas son frágiles. Use las dos manos para retirar la puerta del horno. El frente de la puerta es de vidrio. Manipúlela con cuidado para evitar que se rompa.
- Tome la puerta del horno solamente por los costados. No la tome de la manija, porque puede deslizarse de la mano y causar daños o lesiones.
- No tomar la puerta del horno con firmeza y correctamente podría ocasionar lesiones personales o daños al producto.
- Para evitar lesiones cuando el soporte de la bisagra se cierra bruscamente, asegúrese de que ambas palancas estén firmemente en su lugar antes de retirar la puerta. Tampoco abra ni cierre la puerta forzándola; la bisagra podría dañarse y ocasionar lesiones.
- No apoye la puerta retirada sobre objetos filosos ni puntiagudos ya que puede romperse el vidrio. Apóyela sobre una superficie plana y lisa de modo que no pueda caerse.



Para evitar lesiones o daños, asegúrese de leer la ADVERTENCIA precedente antes de intentar retirar la puerta del horno.

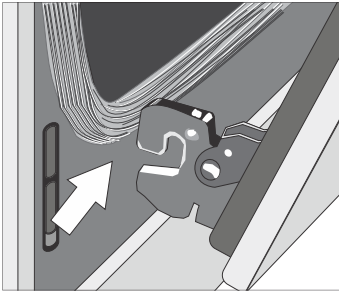
1. Abra la puerta del horno hasta que quede en posición horizontal, totalmente abierta.
2. Lleve las palancas de las bisagras hacia usted.

**Nota:** Es posible que sea necesario utilizar una herramienta, como un destornillador, para sacar suavemente la parte superior de la palanca fuera de la carcasa. Tenga cuidado de no rayar la carcasa.

3. Lleve ambas palancas de las bisagras de la puerta a su posición más baja, según se muestra en la ilustración. Es posible que las palancas de las bisagras izquierda y derecha de la puerta difieran levemente, pero funcionan del mismo modo.

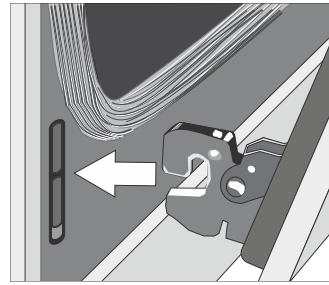


4. Cierre la puerta del horno hasta que se enganche en las palancas de tope de las bisagras, y trabe las bisagras en el ángulo adecuado para retirar la puerta. La puerta se abrirá alrededor de 7 pulgadas en la parte superior. Esto elimina la tensión de los resortes de las bisagras de modo que pueda levantarse fácilmente la puerta.

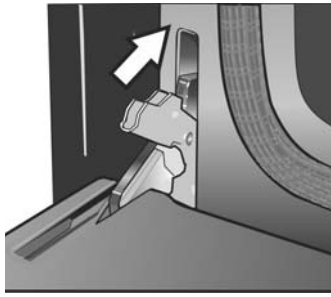


5. La puerta es pesada. Utilice ambas manos para sujetarla firmemente desde los costados. No sujete la puerta desde el mango. Manteniendo el ángulo de la puerta, levante la puerta en forma recta hacia arriba, aproximadamente,  $\frac{3}{4}$  de pulg. para destrabar las bisagras de las ranuras y, luego, jálela hacia usted hasta que la carcasa del horno salga de las bisagras.
6. Coloque la puerta en un lugar práctico y estable para limpiarla.

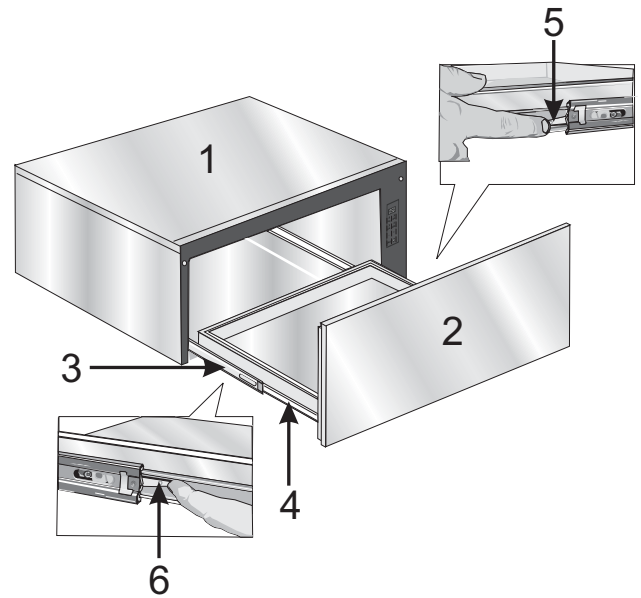
## Cómo volver a colocar la puerta del horno



1. Sosteniendo la puerta firmemente con las dos manos, sujétela desde los costados, no desde el mango.
2. Incline la puerta hacia atrás, levemente hacia usted hasta que la parte superior se abra, aproximadamente, 7 pulg.
3. Deslice las bisagras en las ranuras lo máximo posible y, luego, baje la puerta en forma recta. Es posible que el ángulo de la puerta deba ajustarse levemente para permitir que las bisagras se enganchen adecuadamente y que la puerta baje y se coloque en su lugar. La puerta debe bajar, aproximadamente,  $\frac{3}{4}$  de pulg. y detenerse. Si no lo hace, las bisagras no se han enganchado adecuadamente, y la puerta podría caer si se suelta.
4. Una vez que las dos bisagras estén completamente enganchadas como se describe en el Paso 3, abra suavemente la puerta hasta que esté abierta por completo.



5. Empuje las palancas que se encuentran en las dos bisagras hacia arriba y hacia adelante hasta que se traben en la ranura, a ras con la parte delantera del cuerpo del horno.
6. Cierre y abra la puerta despacio para asegurarse de que esté colocada en forma correcta y firme.



## Cómo retirar el cajón calentador

### ⚠ PRECAUCIÓN

Para evitar quemaduras, no retire el cajón mientras esté caliente. Asegúrese de que el cajón esté vacío antes de retirarlo.

1. Tire del cajón para abrirlo completamente.
2. Presione el sujetador derecho del cajón.
3. Levante el sujetador izquierdo del cajón.
4. Extraiga el cajón con firmeza y en forma recta. Retraiga las correderas de la carcasa mientras retira el cajón.

### Piezas

1	Carcasa
2	Cajón
3	Corredera de la carcasa
4	Riel del cajón
5	el sujetador derecho del cajón
6	el sujetador izquierdo del cajón

## Cómo volver a colocar el cajón calentador

1. Asegúrese de que las correderas de la carcasa estén dentro de la carcasa.
2. Alinee los rieles del cajón con las correderas de la carcasa adheridas a la carcasa del cajón.
3. Introduzca firmemente el cajón en el interior de la carcasa del cajón hasta que este haga clic al ubicarse en su lugar. **Nota:** El cajón se abre con una función que requiere presionar para abrir. Presionar la parte delantera central inferior del cajón hace que se abra solo.
4. Abra y cierre el cajón para probar su funcionamiento. **Nota:** Si el cajón no cierra, verifique que los rieles del cajón estén adecuadamente alineados con las correderas de la carcasa y que las palancas de liberación de los rieles estén adecuadamente posicionadas.

## Prueba de funcionamiento

### Pruebe el horno

1. Encienda la alimentación con el disyuntor.
2. Pruebe el modo de horno.  
Seleccione el modo **BAKE** (Hornear). Consulte el Manual de uso y cuidado para obtener instrucciones detalladas de operación.
3. Verifique que se encienda la luz del horno y que el horno comience a precalentar.
4. Pruebe la traba de la puerta.



Configure el modo **SELF CLEAN** (Autolimpieza).  
Confirme que se trabe la puerta cuando aparece el ícono de traba en la pantalla.

5. Si alguna de las pruebas no resulta como se explicó anteriormente, comuníquese con el servicio técnico de Bosch para obtener asistencia. De otro modo, continúe probando las hornillas de la parte superior de la estufa.

Si alguna de las pruebas no resulta como se explicó anteriormente, comuníquese con el servicio técnico de Bosch para obtener asistencia. De lo contrario, la instalación está completa en este momento.

---

## Servicio técnico

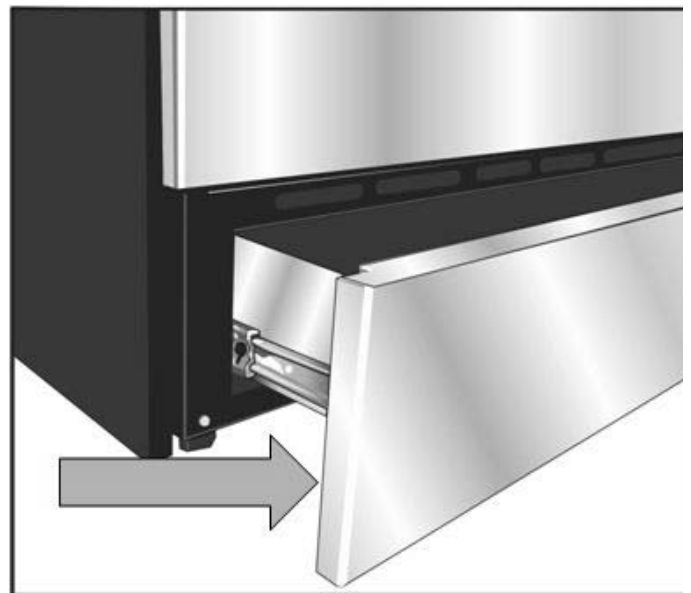
### Antes de llamar al servicio técnico

Para obtener información sobre resolución de problemas, consulte el Manual de uso y cuidado. Consulte la garantía en el Manual de uso y cuidado.

Para comunicarse con un representante de servicio técnico, consulte la información de contacto que aparece en el frente del manual. Cuando llame, tenga a la mano la información impresa en la placa de datos de su producto.

### Placa de datos

La placa de datos muestra el modelo y el número de serie. Al solicitar servicio técnico, consulte la placa de datos del electrodoméstico. La placa de datos está ubicada en la parte trasera de la parte delantera del cajón. Abra el cajón para verla.









**BOSCH**

Invented for life