



Buy it for looks. Buy it for life.®

Specifications

DESCRIPTION

- Hydrolock™ quick connect system
- Brass construction
- 1/2" IPS connections
- Includes pop-up waste assembly

OPERATION

- Hot side counterclockwise to open (clockwise to close)
- Cold side clockwise to open (counterclockwise to close)

CARTRIDGE

- 1224 cartridge design with nonmetallic and stainless steel materials

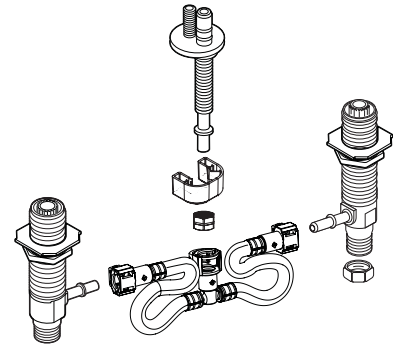
STANDARDS

When Trim Kit is added to M-Pact valve, the product is:

- Third party certified by CSA and IAPMO to meet ASME A112.18.1 and all applicable requirements referenced therein and complies with the applicable requirements of ANSI A117.1
- Certified to ANSI/NSF 61/9
- Complies with the California Proposition 65 and with the Federal Safe Water Drinking Act

WARRANTY

- Lifetime limited warranty against leaks, drips and finish defects to the original consumer purchaser
- 5 year warranty if used in commercial installations



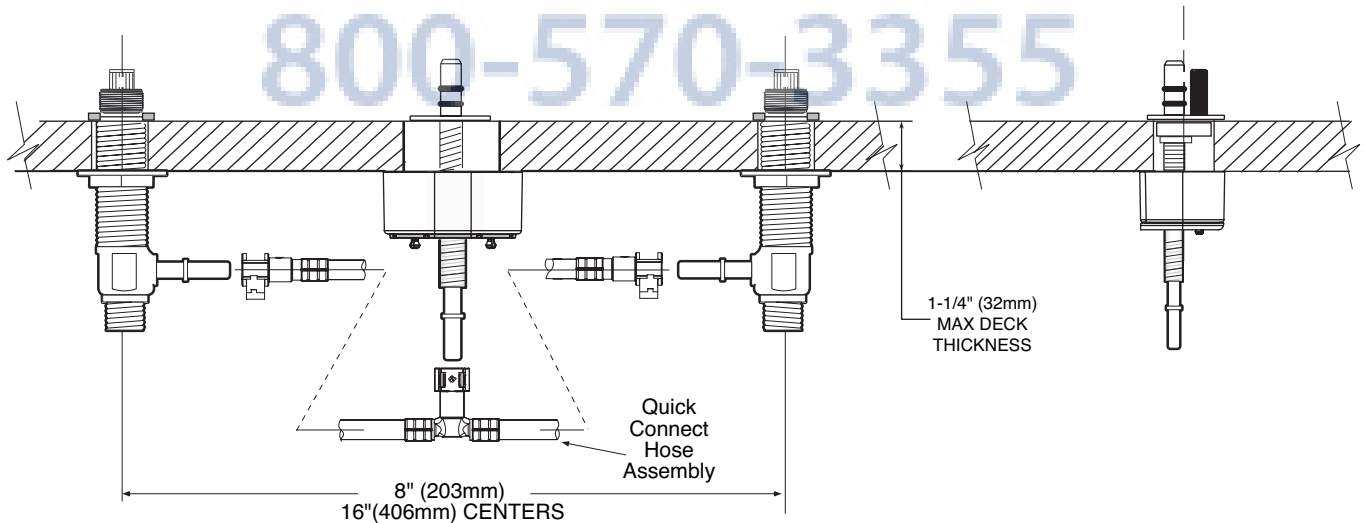
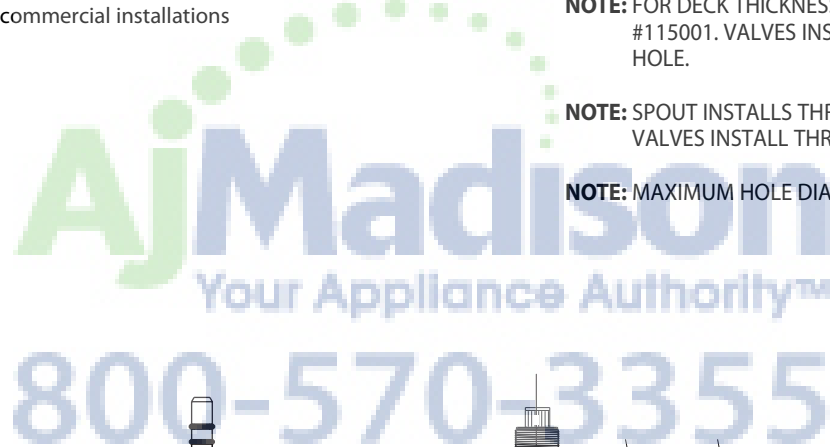
M-PACT VALVE Widespread Lavatory Rough-in Valve

Models: 9000, 69000
(69000-Bulk Packed 6 per carton)

NOTE: FOR DECK THICKNESS 1-3/8" -3", USE SERVICE KIT #115001. VALVES INSTALL THROUGH 1-1/4" DIA. HOLE.

NOTE: SPOUT INSTALLS THROUGH 1-1/8" MIN. DIA. HOLE. VALVES INSTALL THROUGH 1-1/8" MIN. DIA. HOLE.

NOTE: MAXIMUM HOLE DIA. 1.5"



CRITICAL DIMENSIONS

(DO NOT SCALE)