

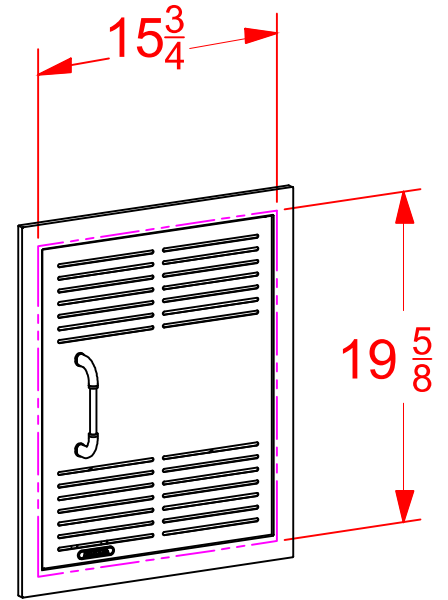
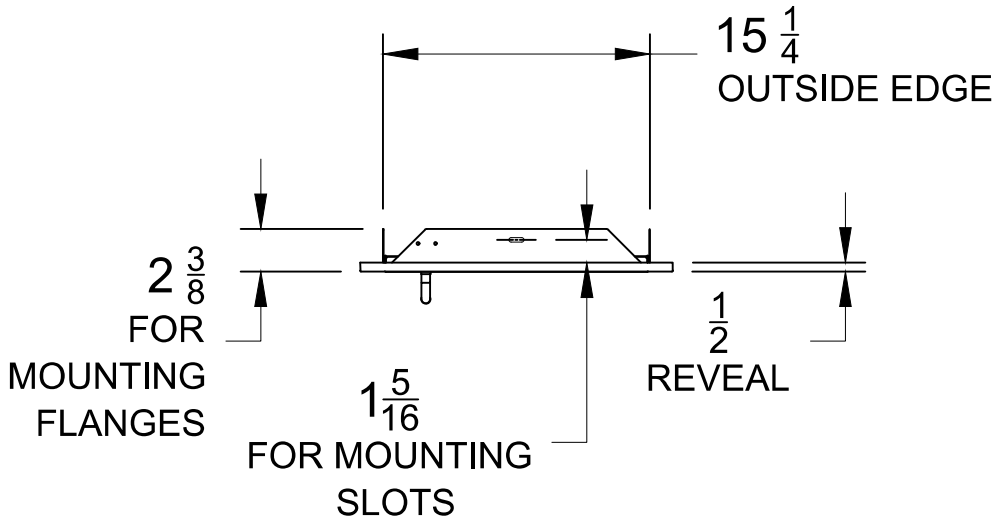


WWW.BULLBBQ.COM

**DUAL LINED
SINGLE VENTED VERTICAL
DOOR WITH REVEAL**

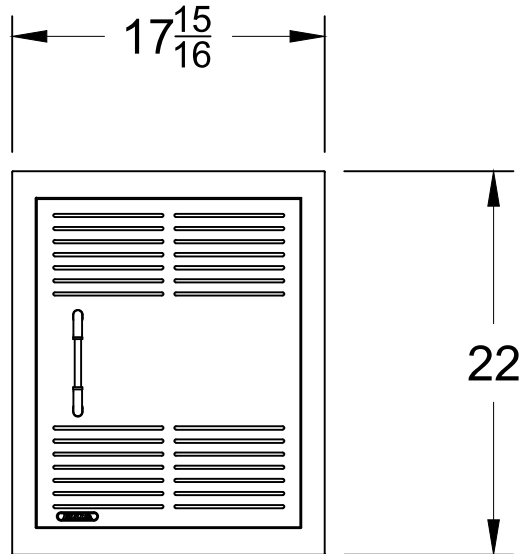
**SPEC SHEET
SKU# 90000**

TOP VIEW

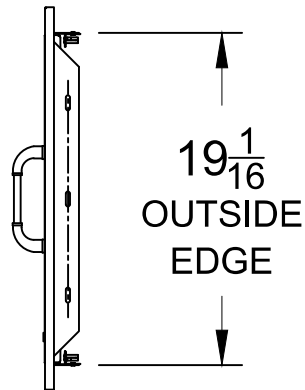


PERSPECTIVE VIEW

WITH INSTALLATION
CUT OUT DIMENSIONS



FRONT VIEW



SIDE VIEW

NOTES:

- 1) ALL DIMENSIONS ARE IN INCH UNITS
- 2) REFER TO PERSPECTIVE VIEW FOR INSTALLATION CUTOUT DIMENSIONS.

v.2024.08.09