

INSTALLATION INSTRUCTIONS

CARE AND USE MANUAL FOR:

BUILT-IN RANGE HOODS



Models covered by this instructions:

SU906 SUTC919 SUETC919

*** BEFORE INSTALLATION ***

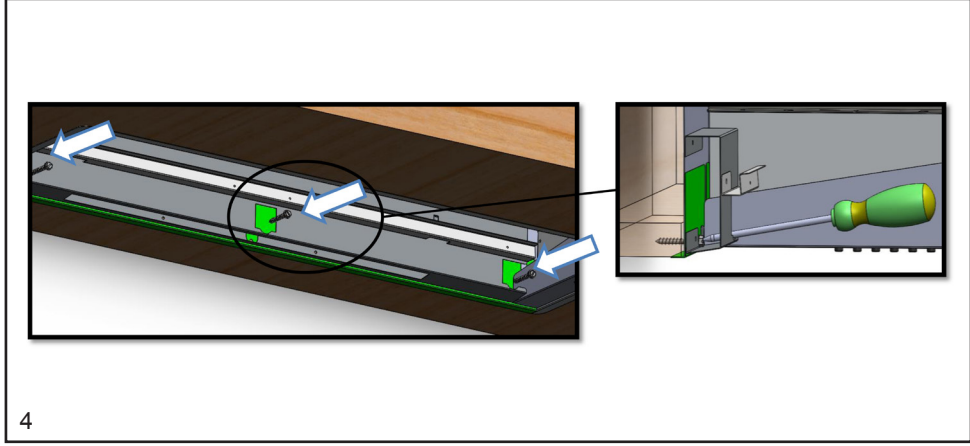
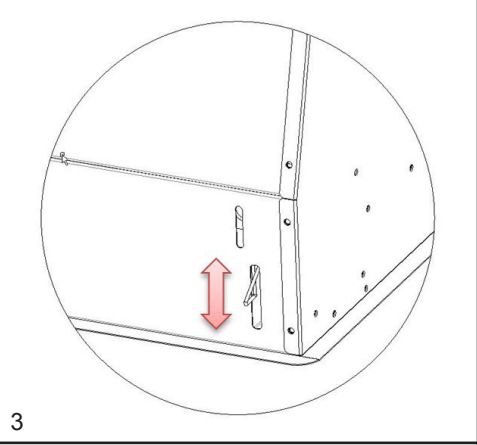
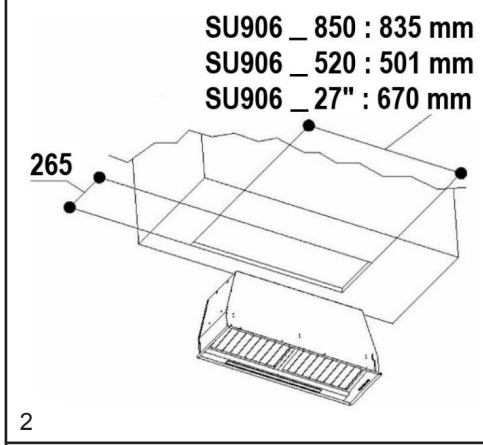
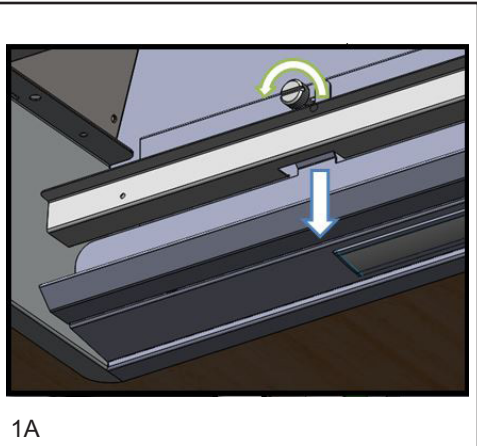
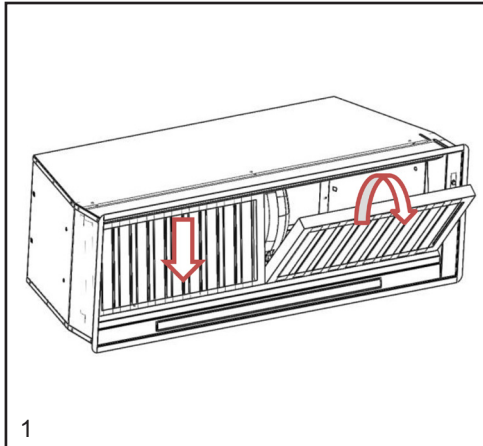
ENSURE THERE IS NO VISIBLE OR HIDDEN DAMAGE SUSTAINED DURING SHIPPING

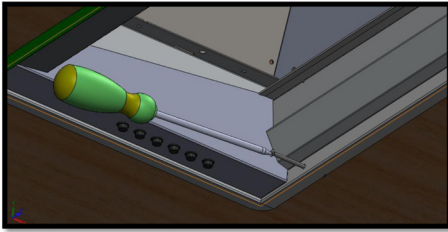
*** SHIPPING DAMAGE ***

MUST BE REPORTED WITHIN 5 DAYS OF RECEIPT

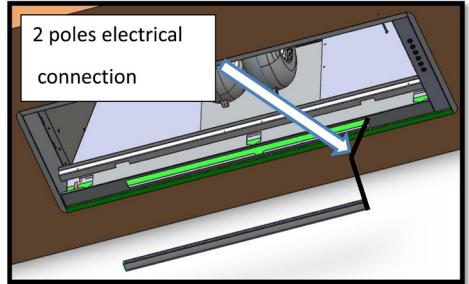


Sirius

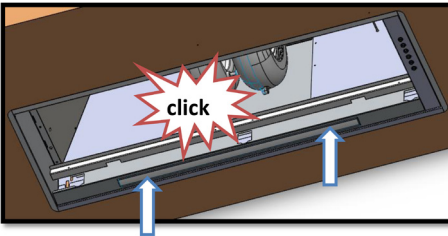




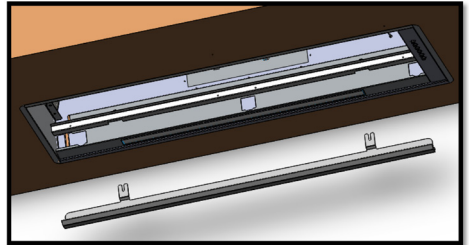
5



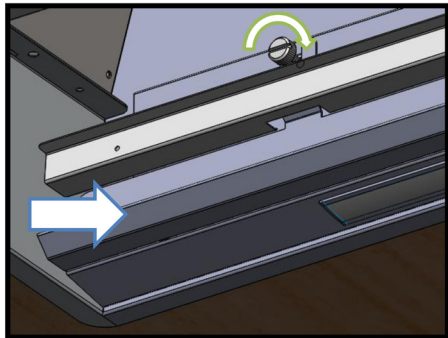
6



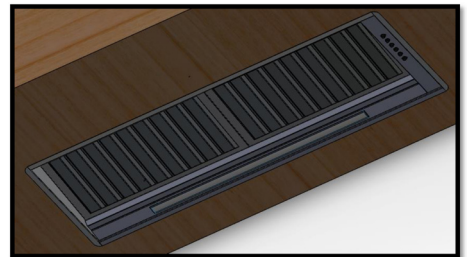
7



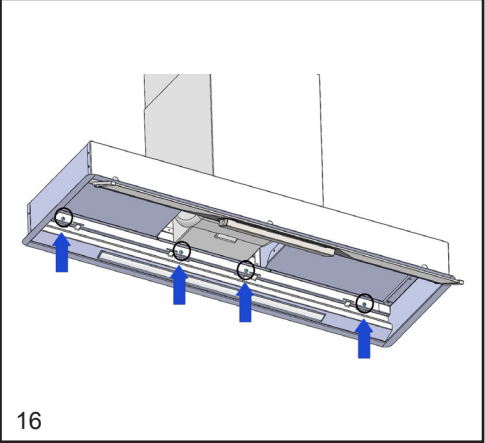
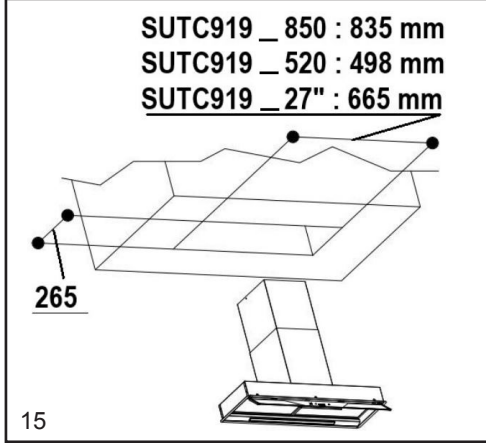
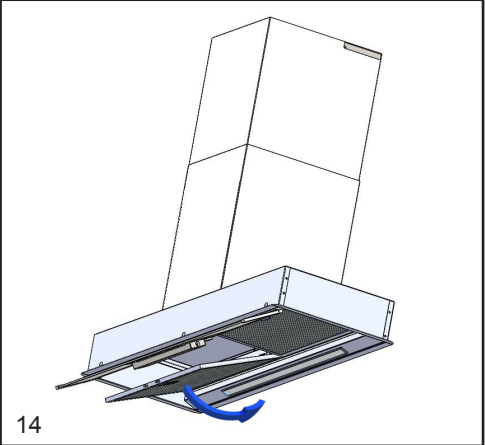
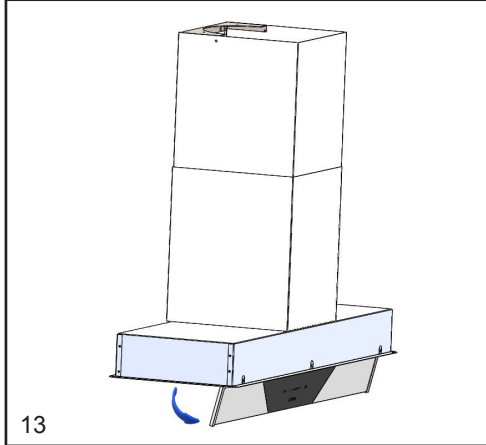
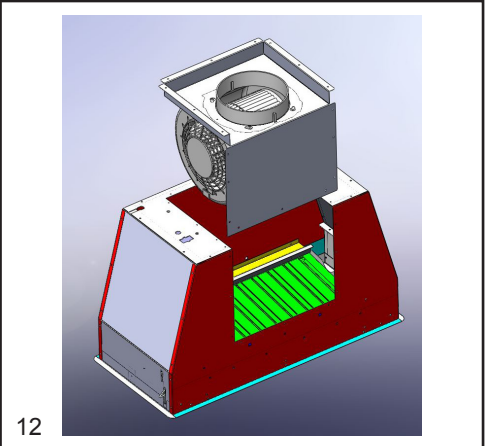
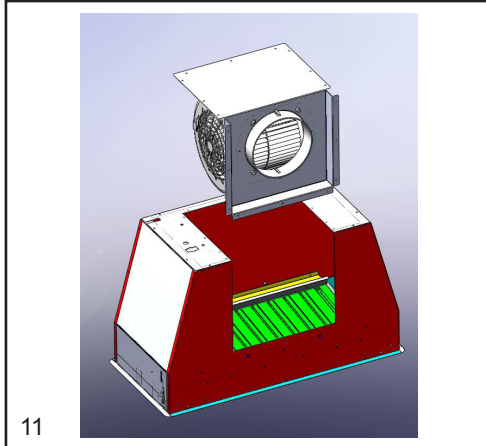
8

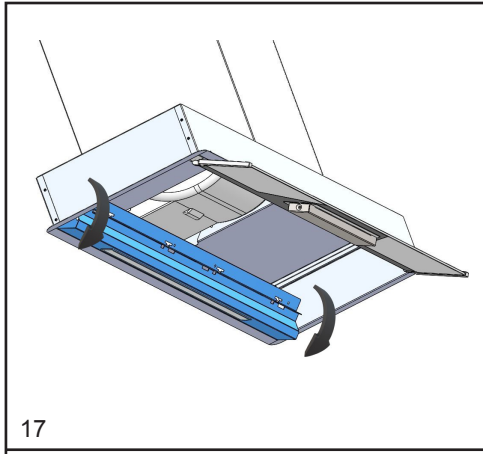


9

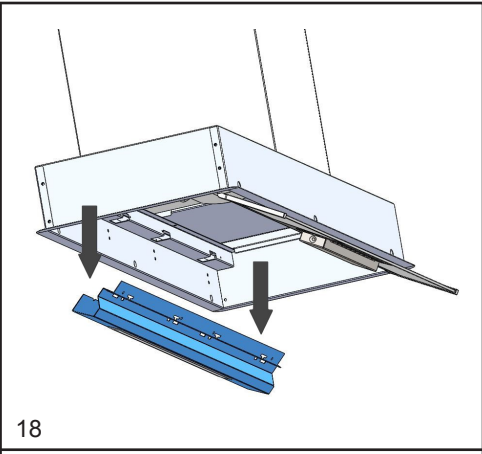


10

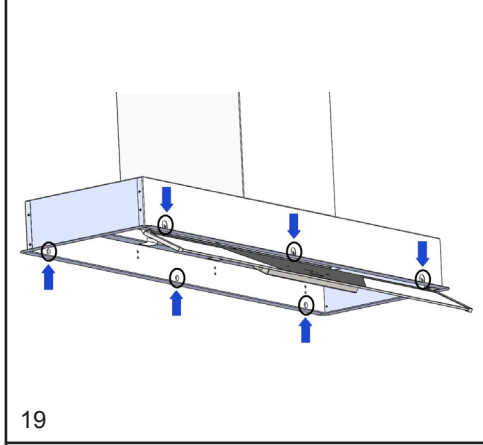




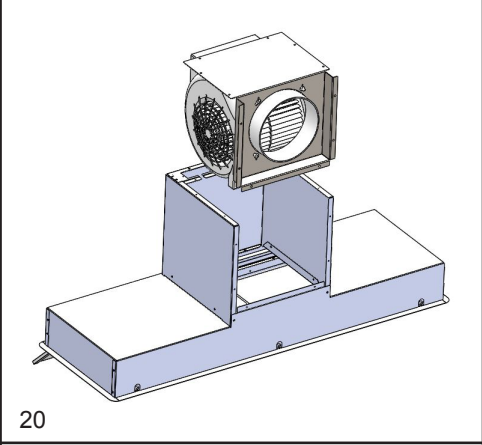
17



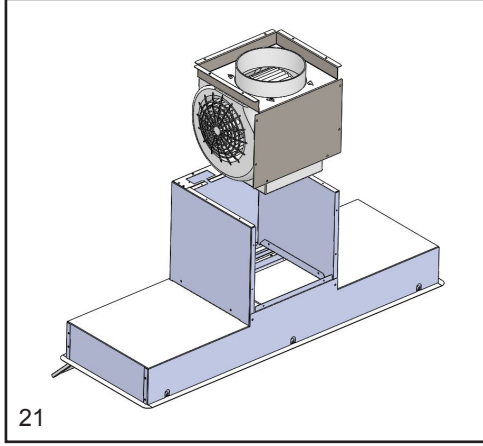
18



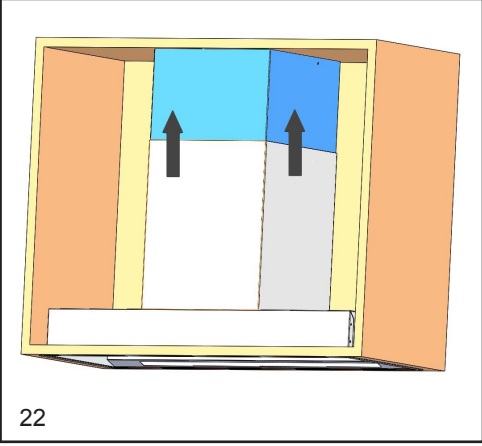
19



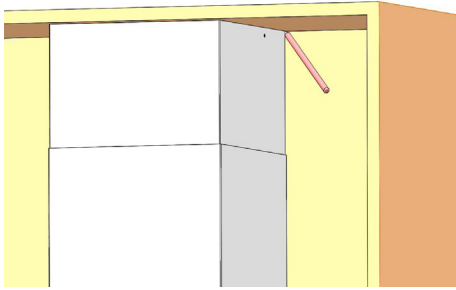
20



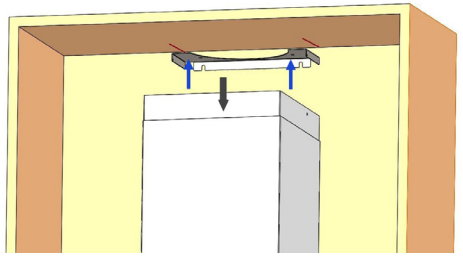
21



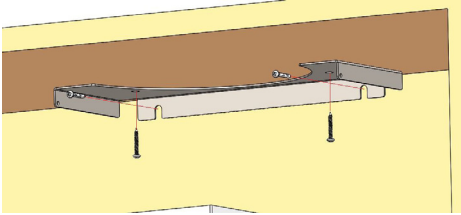
22



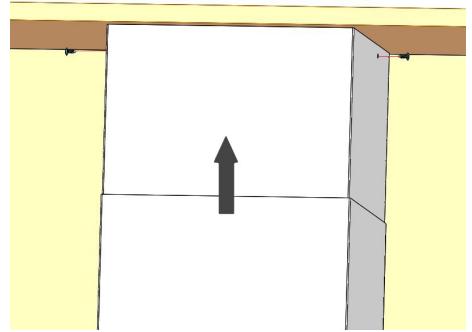
23



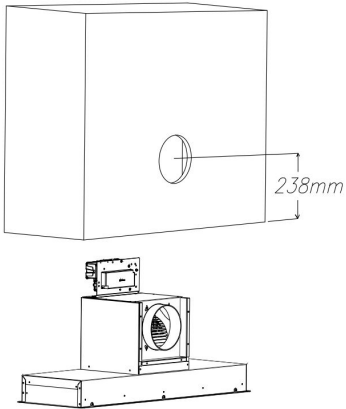
24



25



26



27

WARNING

*Thank you for purchasing a Sirius Range Hood.
Please read all the instructions in this manual before
installing the appliance.*

Save these instructions for future reference.

Only use this appliance as an exhaust ventilation system for the removal of cooking vapors. **DO NOT** use to expel flammable substances or any other materials or vapors.

The installation procedures in this manual are intended for qualified installers, service technicians or persons with similar qualified background.

DO NOT attempt to install this appliance yourself.

Ensure that electrical power is turned off at source before commencing installation. All electrical wiring must be properly installed, insulated and grounded and conform to all applicable codes and standards.

Make sure all existing duct work is clean of grease build up, or duct work should be replaced, if necessary, to avoid the possibility of a grease fire. Check all joints on ductwork to ensure proper connection and all joints should be properly taped. Be careful when cutting through ceilings or walls not to damage any hidden pipes or electrical wiring. Ensure your kitchen has sufficient air return vents to replace the exhausted air.

The minimum distance between the cooker surface and the inferior part of the cooker hood must be of 650 mm.

Fan ducts should always be vented to the outside of your home and never into spaces within walls, ceilings, lofts or attics. Only use rigid, smooth steel for ducting. The exhaust point of the blower requires a 6" round or 8" connection.

TABLE OF CONTENTS

BEFORE YOU BEGIN	10
DUCTING	
External venting Requirements	10
ELECTRICAL	
Electrical Supply	11
INSTALLATION	
Installation SU906	12
Installation SUTC919	13
OPERATING PROCEDURES	
General Advice	15
Functions	15
MAINTENANCE	
Cleaning the Filter	17
Cleaning the Hood	17
Substitution of the LED bar	18
WARRANTY	19

BEFORE YOU BEGIN

The manufacturer declines all responsibility in the event of failure to observe the instructions given here for installation, maintenance and suitable operation of the product. The manufacturer further declines all responsibility for injury due to negligence and the warranty of the unit automatically expires due to improper maintenance and/or installation.

BEFORE YOU BEGIN: It is advisable to test run the range hood before installation.

BEFORE STARTING – please read this entire document and ensure you are fully conversant with the requirements and limitations. These units weigh approximately 125lbs and therefore require a minimum of two people to install.

DUCTING

(Not applicable if the range hood is used in re-circulating mode).

WARNING: Do not vent this appliance into any other ductwork, spaces between walls, ceilings, attics, garages or any other confined space.

External Venting Requirements.

When planning new ductwork, always look for the most direct route to the outside. Venting can be done through the roof or directly through the back outside wall. (See Figure 28 and 29) Only use rigid type metal ducting (plastic ducting is generally not permitted by code). Flexible ducting could restrict airflow by up to 50%.

Always fasten connections with sheet metal screws and tape all joints with certified Silver Tape or Duct Tape. Do not use screws to fasten ductwork to the hood, only use tape as the screws will stop the dampers from opening and your hood will not work. You can increase the duct size of the duct run but never decrease it. Use the shortest and most direct route possible. Always, wherever possible, reduce the number of transitions and turns with as few sharp angles as possible. Two staggered 45 degree angles are better than one 90 degree. Make these turns as far away from the motor exhaust as possible, with as much space between each bend.

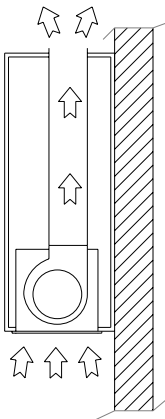


fig. 28

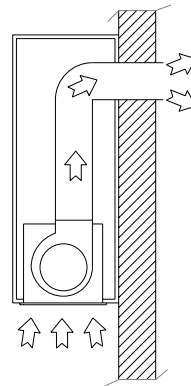


fig. 29

The ducting connection to the hood must be in line with the central vertical axis of the range hood, 1" away from the back wall on which the hood is to be mounted.

Range hoods may interrupt the proper flow of combustion gases from fireplaces, gas furnaces and gas water heaters.

To minimize the risk of drawing these lethal gases back into the home, please follow the heating equipment manufacturers safety standards and guidelines carefully.

Refer to NFPA and ASHRAE for additional information.

With gas range or gas cook top a 8" round connection is recommended.

ELECTRICAL

WARNING: All electrical work must be performed by a qualified electrician.

Please ensure that the appropriate electrical codes or prevailing local building codes and ordinances are adhered to.

Ensure that the electricity supply is disconnected at source. Do not use an extension cord or adapter plug with this appliance.

This appliance must be grounded. Connect to a properly grounded branch circuit, protected by a 15 amp circuit breaker.

Electrical Supply.

This appliance requires 120V/60Hz, 3amp electrical supply – ensure an appropriately qualified person completes the electrical hook-up. The connection point for the electrical supply is at the top of the unit, therefore the electrical supply must be run down from the ceiling alongside the ductwork.

All electrical and venting hook-ups must be in place before commencing installation of the hood-fan.

INSTALLATION

Installation SU906

Before installing the appliance, make sure that none of the parts is damaged in any way. In case of damaged parts, contact your retailer and do not proceed with installation. Read all of the following instructions with care before installing the appliance.

The LED bar of the range hood are supplied in the packaging and you need to assemble them at the end of the installation.

Before installing the appliance, remove the metal grease filter and the oil collector. These filters could be removed by pushing the handles towards the back side of the cooker hood and turning it downwards to unfasten it from its slot. (Fig.1).

To remove the oil collector, loosen the two screws as indicated in Fig. 1/A.

To install the appliance please respect the following instructions.

The appliance must be installed by authorised personnel. In order to do not damage the electronic parts of the appliance please do not use additional screws.

Essential precautions to respect before installing the appliance are the following:

- Prepare the power supply.
- Prepare a hole for the exhaust of the air both in the filtering and in the exhausting version.
- Use an exhausting pipe whose maximum length does not exceed 5 meters.
- Do not use screws to fix the outlet pipe to the cooker hoods.
- Limit the no. of elbows in the piping , since each elbow reduces the aspiration efficiency of 1 linear meter. (Ex.: if you use no. 2 x 90 ° elbows, the length of piping must not exceed 3 meters).
- Avoid abrupt direction changes.

- Use a 150 mm or 200 mm constant diameter pipe for the whole length.

- Use piping approved by standards in force.

- In the units equipped with 2 motors please use a 200mm constant diameter pipe for the whole length

Make a cut-out on the bottom of the cabinet which is suitable to hold the appliance in position (Fig. 2)

SU906 (520mm) 501 X 265mm - 19^{23/32} X 10^{14/32}

SU906 (850mm) 835 X 265mm - 32^{14/16} X 10^{14/32}

SU906 (27") 670 X 265mm - 26^{3/8} X 10^{14/32}

After drilling the kitchen cabinet having followed carefully the instructions above, calibrate the fixing spring depending on the depth of the cabinet. (Fig. 3).

If the range hood has a single motor, the pipe diameter must be 150mm. Otherwise if the range hood has two motors, the pipe diameter must be 200mm.

At this point, insert the range hood inside the kitchen cabinet until the fixed springs will be hooked into.

Fix the range hood to the cabinet, in the front and rear sides, using the screws equipped.

To fix the hood on the rear side apply the screws on the holes of oil container as on pics indicated and fasten the screws (Fig. 4 - 5).

When the screws have been fastened, take the LED bar and connect the two pin connectors (Fig. 6).

Insert the LED bar on the appropriate hole until it will be hooked into (Fig. 7).

At this point take the oil collector and hook it on the appropriate hole of the hood. Please be careful not to scratch and damage the product. (Fig. 8).

Fix the oil collector securing the pommels of the range hood (Fig. 9).

At the end, place the grease filters that were removed before (Fig. 10).

Warning!

Before connecting the flexible exhausting pipe to the motor, make sure the stop valve, which is on the air outlet of the motor, can swing.

Exhausting version

Connect the flange to the exhausting hole with an appropriate pipe. Make the electrical connection through the supply cord.

Filtering version

Connect the flange with a pipe suitable to convey the air to the top of the cabinet. Make the electrical connection through the supply cord.

Rear vented version

All the models with one motor can be rear vented; if the customer wants to use this option, it is necessary to remove the 18 screws from the motor group support. Then take out the metal support with motor included (Fig. 12). Turn the motor to have the air outlet on the rear side (Fig. 11) and fix the screws previously removed¹

Installation SUTC919

Remove the grease filters before installing the product, in order to avoid damage to the appliance.

Open the glass by rotating it as shown in fig. 13; then remove the grease filters by acting on their specific handle and rotate them to remove them from their seating (fig. 14).

Make an opening on the bottom of the kitchen cabinet having the following sizes: (fig. 15)

SUTC919 520: 265mm X 498mm - 10⁷/₁₆ X 19³⁹/₆₄

SUTC919 850: 265mm X 835mm - 10⁷/₁₆ X 32⁷/₈

SUTC919 27": 265mm X 665mm - 10⁷/₁₆ X 26³/₁₆

Make sure the cabinet structure and the material used allow you to make this opening without causing any damages, even during the appliance installation.

Prepare the power supply inside the cabinet.

Prepare the air discharge hole for the product being installed either in the sucking or filtering mode.

Use an air discharge pipe whose maximum length does not exceed 5 meters.

Limit the number of elbows in the piping, as each elbow reduces the air capacity of the hood of about 1 linear meter. (Eg.: if you use no. 2 x 90° elbows, the length of the piping should not exceed 3 meters).

Avoid abrupt direction changes.

Use a 150mm.

constant diameter pipe for the whole length. Use piping approved by standards in force. Remove the fixing screws of the rear steel bar, as shown in fig. 16.

Rotate the steel bar, including the led bar, to remove it from its seating (fig. 17 - 18). You can electrically disconnect the bar by acting on the specific connector.

Place the appliance inside the cabinet and fix it by inserting the screws supplied into the holes, as shown in fig. 19.

Both in the front and rear side of the appliance, refit the stainless steel bar previously removed, connect the led bar electrically by means of the specific connector, and then refit the grease filter.

Rear air outlet.

Models equipped with only one motor can be installed having the motor air outlet oriented towards the appliance rear side.

If you choose this option, you will need to remove the motor support by removing the 12 screws (fig. 21), taking out and rotating the support, placing it in its housing, always keeping the air outlet oriented towards the appliance rear side. (fig. 20).

Secure it by using the screws previously removed.

If you intend to rotate the fan, in order to orient the air outlet to the rear side of the product, you must foresee the air outlet channeling at 238mm distance from the lower surface of the wall unit (fig. 27).

Blocking of the stop valve Warning!

Before connecting the flexible exhausting pipe to the motor, make sure the stop valve, which is on the air outlet of the motor, can swing.

Exhausting version

Connect the flange to the exhausting hole with an appropriate pipe. Connect the appliance with the electrical mains through the supply cord.

Filtering version

Connect the flange with a pipe suitable to convey the air to the top of the cabinet. Connect the appliance with the electrical mains through the supply cord.

Chimney installation

Lift the internal steel chimney up to the top of the wall unit (fig. 22), draw with a pencil the rear end of the internal chimney on both sides (fig. 23), lower the entire chimney and position the fixing bracket in correspondence with the marking made (fig. 24), secure the bracket with screws (fig. 25).

Lift the internal chimney up to cover the bracket and secure it with screws positioned on both sides (fig. 26).

OPERATING PROCEDURES

Read all the instructions before operating the appliance. Save these instructions for future reference.

General Advice.

Ensure that the grease filters are in place. Without these components, operating blowers could catch on to hair, fingers and loose clothing. Keep fan, filters and surfaces free from grease and fat. Always turn the hood fan ON when cooking. NEVER leave cooking unattended.

NEVER dispose cigarette ashes, ignitable substances or any foreign objects into blowers.

Cooking that generates flame is not recommended as this hood is equipped with a thermal overload that will shut down the motor if it senses excessive heat. When frying, oil in the pan can easily overheat and ignite. Heat oil slowly in an appropriately sized pot (covering the entire burner) to reduce the risk of boiling over and burning.

In the event of a range top grease fire, observe the following:

Switch OFF the range hood. Turn off the cook top then smother flames with a close fitting lid, cookie sheet or other metal tray. If the flames do not go out immediately

EVACUATE AND CALL THE FIRE DEPARTMENT.

Never pick up a flaming pan - you may be burned. DO NOT USE WATER including wet dishcloths or towels, as a violent steam explosion may occur.

FUNCTION

Mod. SU (Fig. 30).

- A: Light ON/OFF button
- B: Blower Speed 1 (low) or OFF
- C: Blower Speed 2 (medium)
- D: Blower Speed 3 (high)
- E: Blower Speed 4 (intensive)
- F: 10 Minute Timer

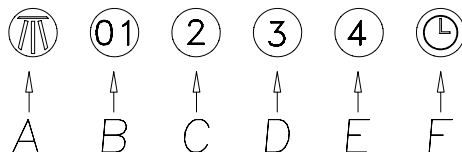


fig. 30

Mod. SUTC – Glass (Fig. 31)

- A: Light switch On/Off
- B: Reduce speed / OFF motor
- C: Luminous telltale
- D: ON motor/increase speed
- E: 10 - minute timer

The touch control key allows the function desired by touching the relative key.

If the electrical power supply to the product SUTC is cut, 15 seconds are needed for self-diagnostics after the functions are restored.

Meanwhile, its operation may be incorrect.

The products are endowed with an electronic device which allows the automatic switching off after 4 hours from the last operation.

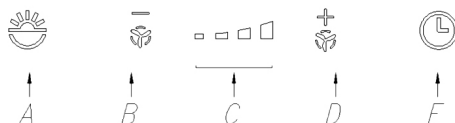



fig. 31



Filter requires washing indicator: after 30 hours of use, all the buttons will light up to remind you that the grease filter should be cleaned. Follow the instructions for cleaning filters in this booklet. Once the grease filters have been cleaned and replaced, reset by pressing the timer button (F). Do not rely solely on this indicator. Generally, the grease filter should be washed on a regular basis to avoid grease filter fires.

The blower should be turned on for approximately 5 minutes before cooking in order to establish air currents upward through the hood. Use the low speeds for normal use and the higher speeds for strong odors and fumes.

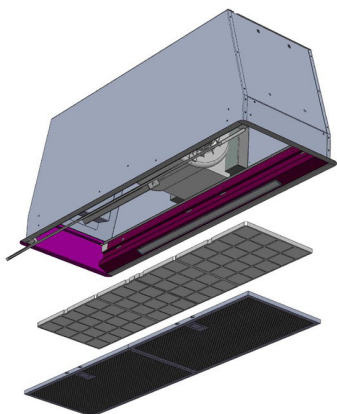
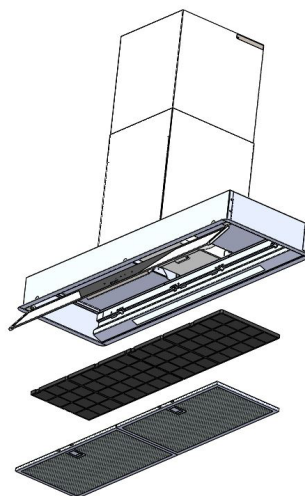
MAINTENANCE

The hood-fan should provide many years of trouble free service provided it is maintained properly.

Cleaning the Filter.

Clean the grease filter either by carefully hand washing, (so as not to damage the filter design) or preferably in a dishwasher. Depending on use, the filters should be cleaned at least every two weeks in a dishwasher.

If a carbon filter has been fitted this must be replaced at least every 6 months as a minimum. Depending on cooking style and nature of cooking (greasy foods, fry's, curries etc) would probably require more frequent replacement - if odors start to manifest themselves when cooking it is time to replace the carbon filter . We suggest you retain a spare set. These can be ordered from the supplier of your range hood.



Cleaning the Hood.

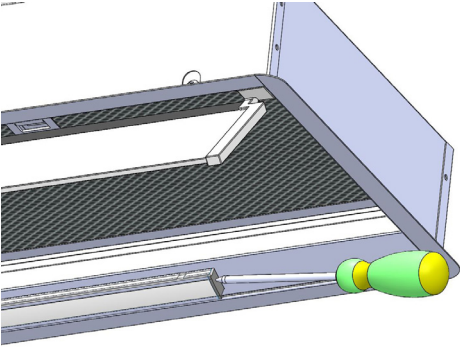
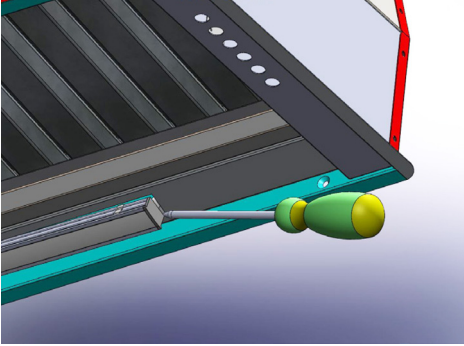
Cleaning of the internal parts should be done with a clean damp (not excessively wet) cloth together with regular household detergent. The external stainless steel elements should be cleaned with a good quality foaming stainless steel cleaner. Read the manufacturers directions. Generally they recommend that the foam be sprayed onto a clean dry cloth and then applied to the stainless steel. Allow the foam to react on the surface for a few minutes and then wipe with a clean dry cloth.

It is advisable to clean the surfaces that are exposed directly to heat from the cook-top on a regular basis, to prevent the marks from becoming baked on.

Do not under any circumstances use an abrasive type cleaner as this will scratch and damage the stainless steel finish. Glass components should be cleaned with a product such as Windex.

Substitution of the LED bar:

Using an appropriate tool, remove the LED bar from its seat, disconnect it electronically using the appropriate connector, then substitute it with a LED bar with same characteristics.





Three Year Limited Warranty

YOU MUST REGISTER THE PURCHASE OF YOUR PRODUCT ON LINE AT www.siriuscappe.com/usa/warranty.htm TO CONVALIDATE YOUR WARRANTY.

YOU CAN FIND THE DATA OF YOUR HOODS ON A LABEL INSIDE THE HOOD. JUST REMOVE THE GREASE FILTER TO READ IT.

WARRANTY SERVICE

To qualify for warranty service, you must notify Sirius After sale service at the email address stated below or call toll free USA 1-877-474-8770 and provide the model number, description of the fault or defect and original date of purchase. Sirius reserves the right to request proof of original purchase. Sirius will at its sole option and discretion replace products that arrive damaged through shipping, provided shipping damage is reported as stated above **WITHIN 5 BUSINESS DAYS OF RECEIPT** of the shipped product or products.

ONE YEAR SERVICE REPAIR WARRANTY:

During the first year from date of original purchase, Sirius will, at its option, repair or replace, without charge, any product or part which is found to be defective under normal use and service.

THREE YEAR PARTS WARRANTY:

For three years from date of purchase, Sirius will provide free of charge, non-consumable replacement parts which are found to be defective under normal use and service.

WHO IS COVERED:

Sirius warrants to the original consumer purchaser of its products that such products will be free from defects in materials and workmanship for a period of three years from the original date of purchase. There are no other warranties, express or implied, including, but not limited to, implied warranties of merchantability or fitness for a particular purpose or application.

WHAT IS NOT COVERED:

This warranty does not extend to filters, lamps, batteries, ducts and ductwork components. This warranty does not cover normal maintenance and service or products or parts which have been subject to misuse, negligence, accident, improper maintenance or repair, faulty installation or installation contrary to recommended installation instructions. The warranty on glass screens is limited to manufacturing defects only and expressly excludes cracks and breakages as a result of faulty installation. *Labor and associated costs associated directly with removal and re-installation are expressly excluded.*

The duration of any implied warranty is limited to the three year period as specified for the express warranty. Some states and provinces do not allow limitation on how long an implied warranty lasts, so the above limitation may not apply to you.

Sirius S.P.A.

Zona industriale Berbentina 6/A
60041 SASSOFERRATO (AN)
ITALY

Sirius after sale service

Telephone (toll free): 1-877-474-8770
Email: Sirius@adcoservice.com

Register Online! www.siriuscappe.com/usa/warranty.htm