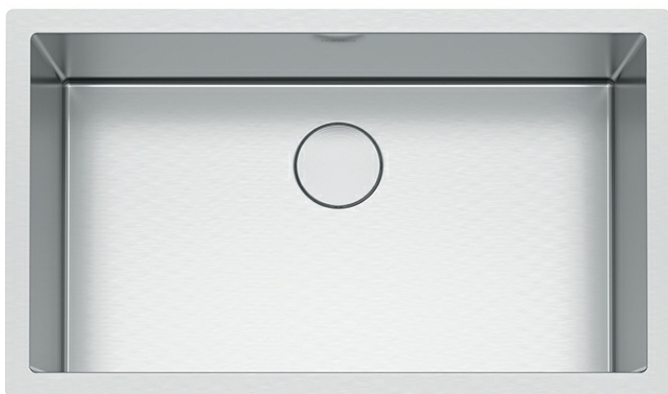


Professional 2 PS2X110-30-12 Stainless Steel

The second generation of this hard-working sink features an updated silk stainless finish that offers enduring beauty for years. Made of 16 gauge, commercial-grade stainless steel and available in a variety of size and configuration options, it's the perfect partner for the serious home chef.

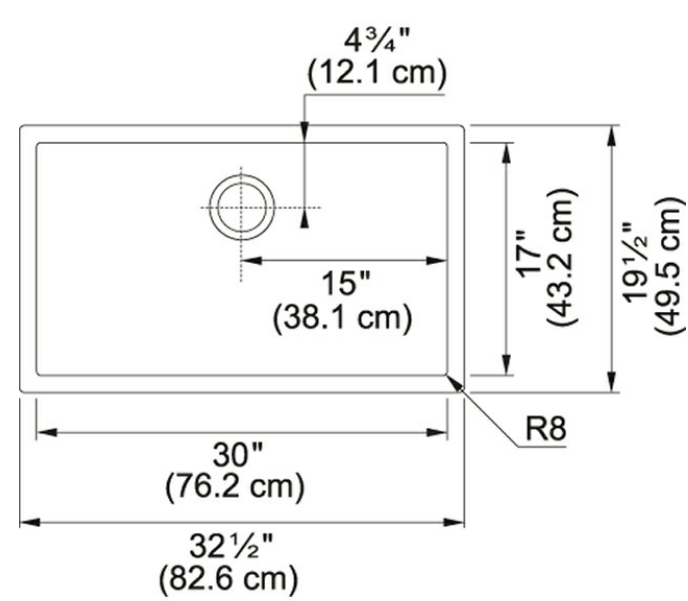
Product Picture



Product Dimensions

| | |
|----------------------|-----------|
| Length overall | 32 1/2" |
| Width overall | 19 1/2" |
| Length of large bowl | 30" |
| Width of large bowl | 16 15/16" |
| Depth of large bowl | 12" |
| Minimum Cabinet Size | 36" |

Technical Drawing



General Information

| | |
|--------------------|--------------------------|
| Type of Material | 16 Gauge Stainless Steel |
| Number of Bowls | 1 |
| Installation Clips | Yes |
| Cut-Out Template | Yes |
| Where to buy | Showroom |

Article Numbers

| | |
|----------------|---------------|
| FUN# | 122.0530.930 |
| US Part Number | PS2X110-30-12 |

