



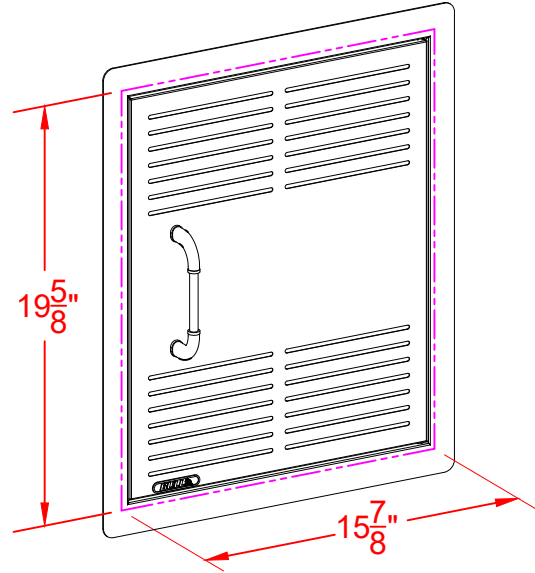
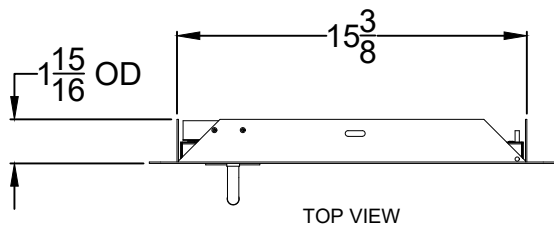
WWW.BULLBBQ.COM

SPEC SHEET OUTLINE

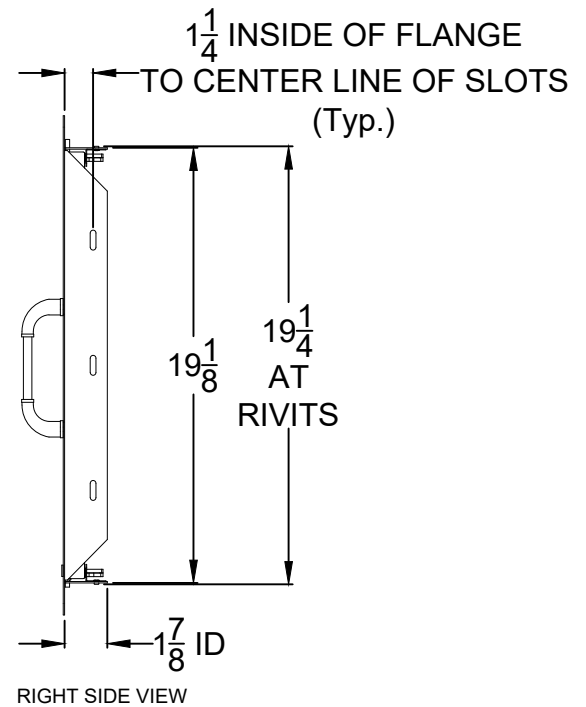
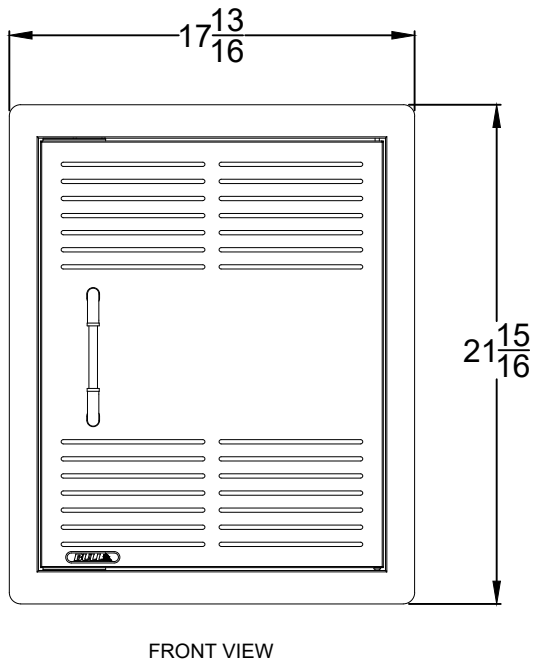
ITEM # 89980

DESCRIPTION -
SINGLE VENTED
VERTICAL DOOR

REPLACEMENT PARTS LIST			
DWG ITEM #	PART #	DESCRIPTION	QTY
1	16572	HANDLE	1
2	16515	HANDLE SCREW SET	1 SET
3	16548	DOOR MAGNET	2



**PERSPECTIVE VIEW
WITH INSTALLATION
CUT OUT DIMENSIONS**



NOTES:

- 1) ALL DIMENSIONS ARE IN INCH UNITS
- 2) REFER TO PERSPECTIVE VIEW FOR INSTALLATION CUTOUT DIMENSIONS.
- 3) REFER TO TOP OF PAGE FOR PART INFORMATION
- 4) PAGES 2 - 4 FOR WARRANTY POLICY