

FAUCET DESCRIPTION

- Metal construction with chrome plated finish
- Copper or brass waterways
- 1/2" IPS connections
- Supplied with vandal resistant screws and metal pop-up waste assembly

OPERATION

- Tri blade style handles with hot and cold color indicators
- Rotate either handle counterclockwise to open and clockwise to close

FLOW

- Aerator is limited to 2.2 gpm max (8.3 L/min)

CARTRIDGE

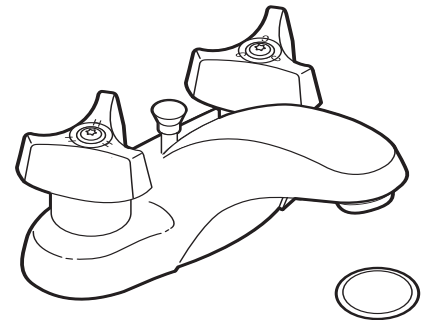
- 1224 cartridge design
- Nonmetallic and stainless steel material

STANDARDS

- Third party certified by IAPMO and CSA to meet ASME A112.18.1M, NSF 61/9, California Proposition 65, and all applicable specifications referenced therein

WARRANTY

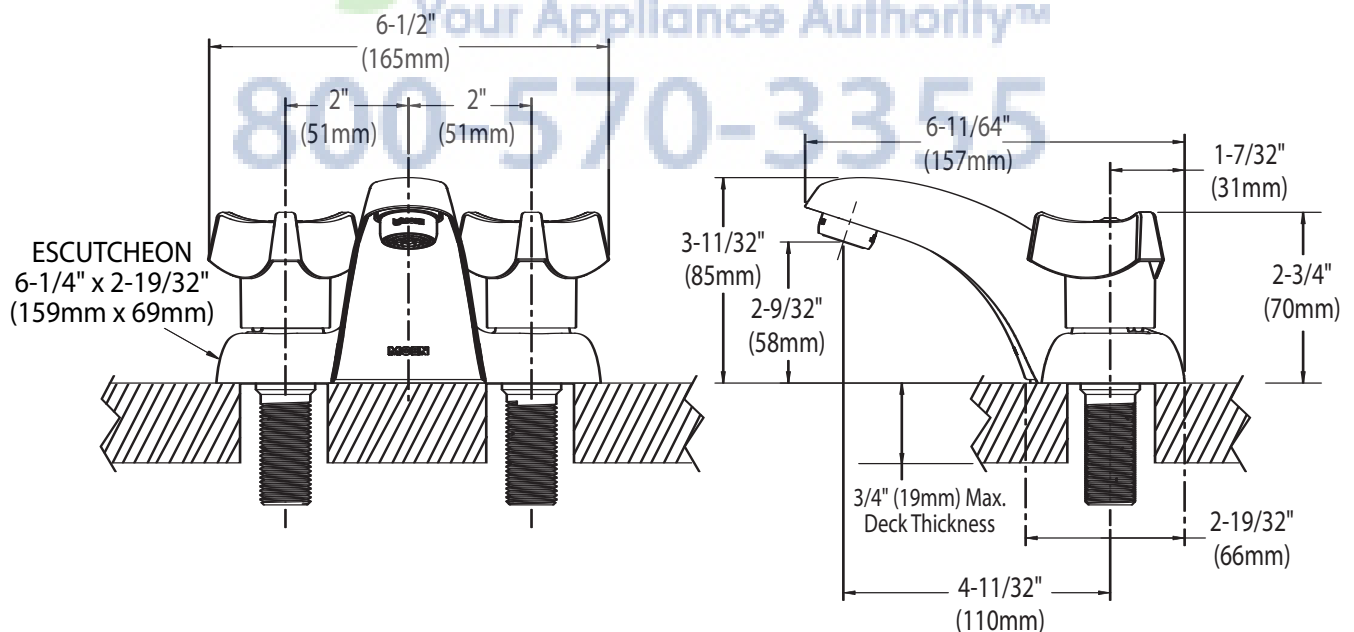
- Warranted for 5 years against material or manufacturing defects



Two-Handle Lavatory Faucet

Model: 8935

NOTE: Designed to be installed through 3 - 1" min. dia. holes 2" on center



CRITICAL DIMENSIONS

(DO NOT SCALE)