

FAUCET DESCRIPTION

- Chrome plated metal construction
- Brass or copper waterways
- 1/2" IPS shanks
- Supplied with vandal resistant screws

OPERATION

- Lever style handles with hot and cold color indicators
- Hot side counterclockwise To open (clockwise to close)
- Cold side clockwise to open (counterclockwise to close)

FLOW

- Aerator is limited to 2.2 gpm max (8.3 L/min)

CARTRIDGE

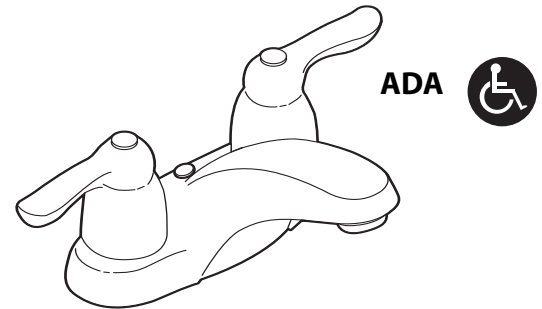
- 1224 cartridge design
- Nonmetallic and stainless steel material

STANDARDS

- Third party certified by IAPMO and CSA to meet ASME A112.18.1M, NSF 61/9, California Proposition 65, and all applicable specifications referenced therein and complies with the requirements of ANSI A117.1

WARRANTY

- Warranted for 5 years against material or manufacturing defects



Two-Handle Lavatory Faucet

Less Waste

Model: 8915

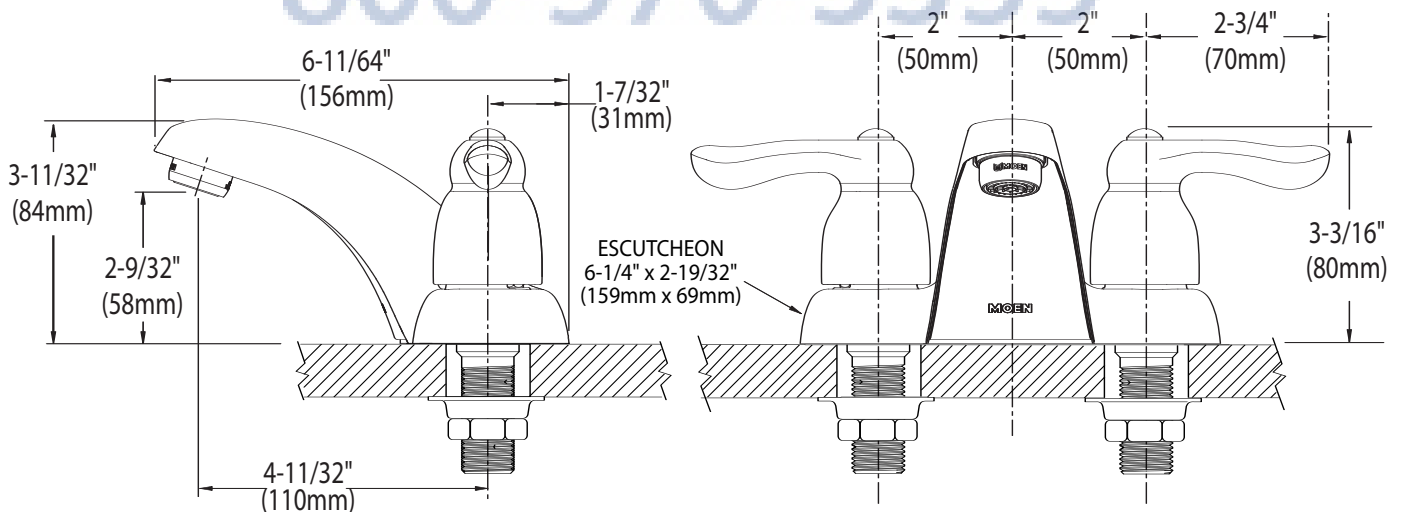
with Metal Waste Assembly

Model: 8917

NOTE: DESIGNED TO INSTALL THROUGH 3-1" MIN. DIA. HOLES 2" ON CENTER

AJ Madison
Your Appliance Authority™

800-570-3355



CRITICAL DIMENSIONS

(DO NOT SCALE)