

## FAUCET DESCRIPTION

- Metal construction with chrome plated finish
- 1/2" IPS connections
- Supplied with vandal resistant screws

## OPERATION

- 4" wrist blade style handles with hot and cold color indicators
- Rotate the hot side handle 1/4 turn counterclockwise to open (clockwise to close) and rotate the cold side handle 1/4 turn clockwise to open (counterclockwise) to close

## FLOW

- Dual position swivel spray design
- Choice of aerated stream or spray positions
- 2.2 MAX. gpm (8.3 L/min) aerator

## CARTRIDGE

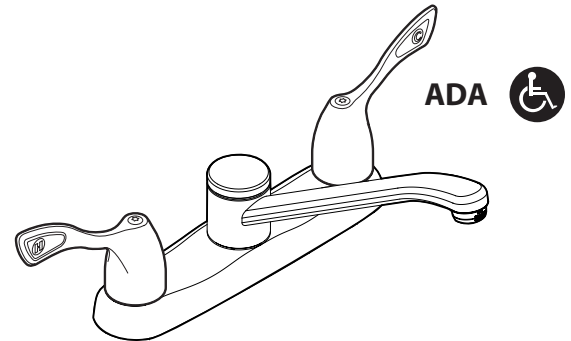
- 1224 cartridge design
- Nonmetallic and stainless steel material

## STANDARDS

- Third party certified by CSA to meet CSA B-125 and ASME A112.18.1M and all applicable specifications referenced therein and complies with the requirements of ANSI A117.1, NSF 61/9, and California Proposition 65.

## WARRANTY

- Warranted for 5 years against material or manufacturing defects

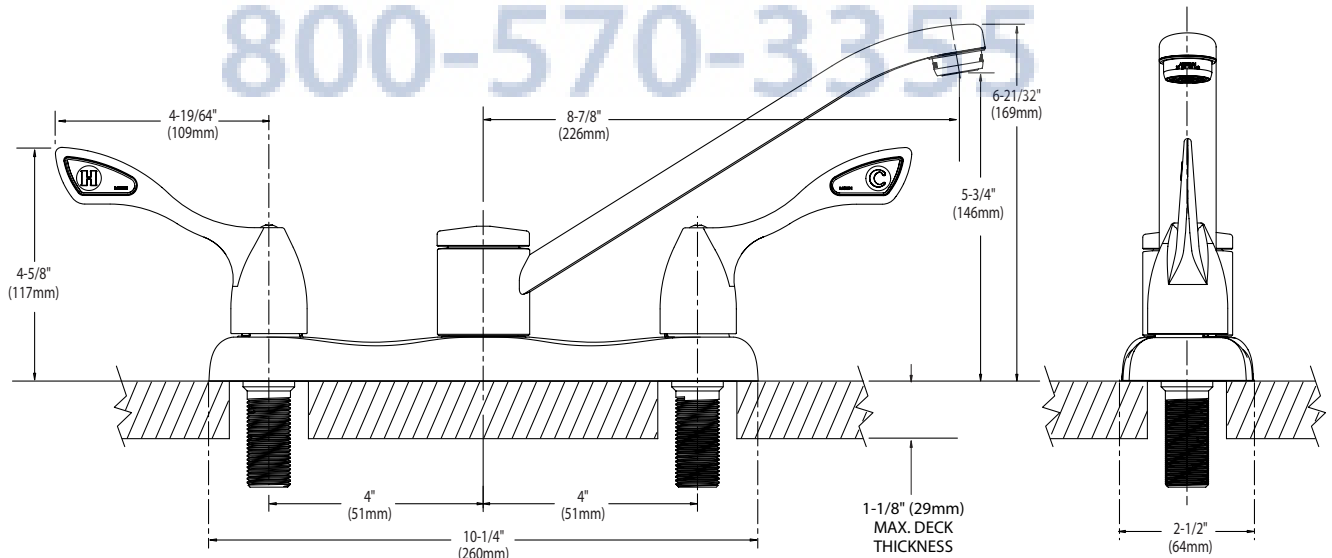


**Two-Handle Kitchen Faucet**

**Model: 8798**

**NOTE:** Designed to be installed through 3 holes - 1" min. dia. and on 4" centers

  
 Your Appliance Authority™  
 800-570-3355



## CRITICAL DIMENSIONS

(DO NOT SCALE)