



# Electric Dryer

## PRODUCT MODEL NUMBERS

GEW9878P	LER8620P
LEB6000P	LER8648P
LEB6200P	WED5100S
LEB6300P	WED5200T
LEC5000P	WED5300S
LEC9000P	WED5310S
LEN1000P	WED5500S
LEN2000P	WED5520S
LEQ8000J	WED5530S
LEQ9030P	WED5540S
LEQ9508P	WED5550S
LEQ9858P	WED5600S
LER3624P	WED5700S
LER4600P	WED5790S
LER4610P	WED5800S
LER4634P	WED5810S
LER5636P	WED5820S
LER5644P	WED5830S
LER6620P	WED5840S
LER6636P	WED5850S
LER6646P	WED5900S
LER7648P	

**Electrical:** A four-wire or three-wire, single phase, 120/240-volt, 60 Hz, AC-only, electrical supply (or 120/208-volt electrical supply, if specified on the serial/rating plate) is required on a separate 30 amp circuit, fused on both sides of the line. Use 10 gauge solid copper wire. A time-delay fuse or circuit breaker is recommended.

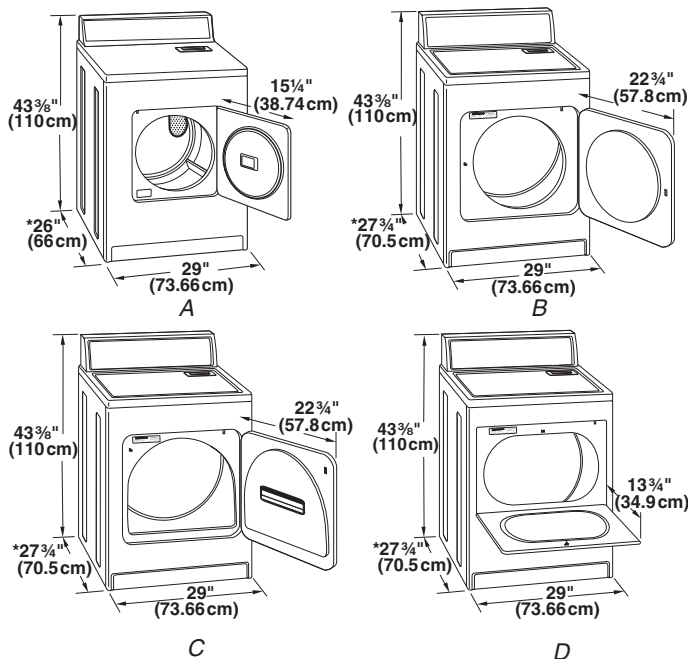
**Exhaust venting:** Exhaust your dryer to the outside. Four-inch diameter vent is required. Rigid or flexible metal exhaust vent must be used. Do not use plastic or metal foil vent. Exhaust outlet hood must be at least 12 inches from the ground or any object that may be in the path of the exhaust.

## EXHAUST VENTING

Number of 90° turns or elbows	Type of vent	Box or Louvered hoods	Angled hoods
0	Rigid metal	64 ft (20 m)	58 ft (17.7 m)
	Flexible metal	36 ft (11 m)	28 ft (8.5 m)
1	Rigid metal	54 ft (16.5 m)	48 ft (14.6 m)
	Flexible metal	31 ft (9.4 m)	23 ft (7 m)
2	Rigid metal	44 ft (13.4 m)	38 ft (11.6 m)
	Flexible metal	27 ft (8.2 m)	19 ft (5.8 m)
3	Rigid metal	35 ft (10.7 m)	29 ft (8.8 m)
	Flexible metal	25 ft (7.6 m)	17 ft (5.2 m)
4	Rigid metal	27 ft (8.2 m)	21 ft (6.4 m)
	Flexible metal	23 ft (7 m)	15 ft (4.6 m)

**NOTE:** Side and bottom exhaust installations have a 90° turn inside the dryer. To determine maximum exhaust length, add one 90° turn to the chart.

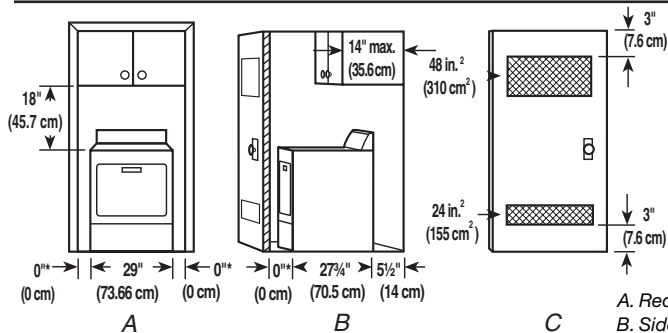
## OVERALL DIMENSIONS



A. Small opening side-swing door  
 B. Large opening side-swing door  
 C. Wide opening side-swing door  
 D. Wide opening hamper door

\* Most installations require a minimum 5 1/2" (14 cm) clearance behind the dryer for the exhaust vent with elbow.

## RECESSED AREA AND CLOSET INSTALLATION

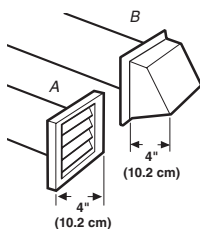


For closet installation with a door, minimum ventilation openings in the top and bottom of the door are required. Louvered doors with equivalent air openings are acceptable.

A. Recessed area  
 B. Side view - closet or confined area  
 C. Closet door with vents

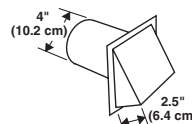
\*Additional spacing recommended

## Recommended hood styles



A. Louvered hood style  
 B. Box hood style

## Angled hood style is acceptable.



Select the route that will provide the straightest and most direct path outdoors. Plan the installation to use the fewest number of elbows and turns. Avoid making 90° turns.

Do not use vent runs longer than specified in vent length chart.

Determine the number of elbows you will need.