

FISHER & PAYKEL

24" INTEGRATED REFRIGERATOR/FREEZER

RB2470BRV model

INSTALLATION GUIDE

US CA

849695C 07.19

TABLE OF CONTENTS

- ① SAFETY AND WARNINGS
- ② COMPONENTS LIST
- ③ COMPONENTS LIST – DOOR PANELS AND HANDLES
 - ④ APPLIANCE DIMENSIONS
 - ⑤ CABINETY DIMENSIONS
 - ⑥ DOOR OPENING ROTATION
 - ⑦ ELECTRICAL SPECIFICATIONS
 - ⑧ BEFORE INSTALLATION
- ⑨ UNPACKING AND MOVING YOUR APPLIANCE
- ⑩ INSTALLATION OVERVIEW
- ⑪ CHANGING OVER DOOR HINGE (OPTIONAL)
- ⑫ INSTALL TRIM CLIPS
- ⑬ INSTALL CABINETY ATTACHMENT BRACKETS
- ⑭ INSTALL CLEARANCE ADJUSTMENT PLATES
- ⑮ POSITION YOUR APPLIANCE INSIDE THE CABINETY
- ⑯ FIX YOUR APPLIANCE INSIDE THE CABINETY
- ⑰ INSTALL THE TRIMS
 - ⑱ INSTALL TOP DOOR PANEL (CUSTOM)
 - ⑲ OR
 - ⑲ INSTALL TOP DOOR PANEL (CUSTOM)
 - ⑳ INSTALL BOTTOM DOOR PANEL (CUSTOM)
- ⑱ INSTALL DOOR PANELS (STAINLESS STEEL)
- ⑳ INSTALL BOTTOM DOOR PANEL (CUSTOM)
- ㉑ INSTALL COVERS AND INLET VENT GRILLE
- ㉒ FINAL CHECKLIST

IMPORTANT! **SAVE THESE INSTRUCTIONS**

The models shown in this installation guide may not be available in all markets and are subject to change at any time. For current details about model and specification availability in your country, please go to our website fisherpaykel.com or contact your local Fisher & Paykel dealer.

① SAFETY AND WARNINGS

⚠ WARNING!



Electric Shock Hazard

Read and follow the safety and warnings outlined in this installation guide before operating this appliance.

Failure to do so can result in death, electric shock, fire or injury to persons.

⚠ WARNING!



Cut Hazard

Take care - panel edges are sharp. Failure to use caution could result in injury or cuts.

IMPORTANT!

To ensure that the appliance is stable under all loading conditions, the fittings supplied must be installed according to the following installation instructions by a professional installer.

② COMPONENTS LIST

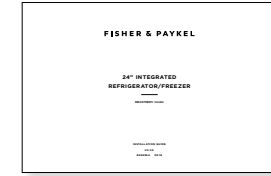
MI (miscellaneous items) pack— included in the appliance.



User guide (1x)



Service & Warranty (1x)



Installation guide (1x)

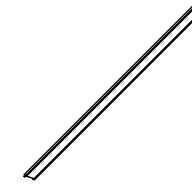
Appliance accessories— included with the appliance. Attached to the side of the appliance during transport.



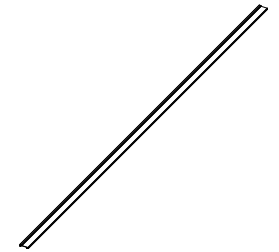
Top trim* (1x)



Side trim bottom compartment hinged side (1x)



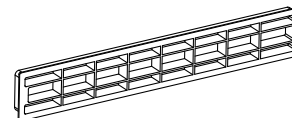
Side trim top compartment hinged side (1x)



Side trim non hinged side (1x)

* Top trim is located inside the refrigerator compartment, behind the shelves. The shelves must be removed to get the top trim out.

Optional accessory— not included with the appliance and must be purchased separately.

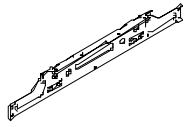


Inlet vent grille (1x)*
(873917)

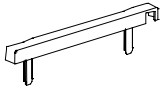
* Use only for cabinetry inlet vent area with dimensions 17 5/8" x 2 1/8" (448mm x 55mm). Refer to 'Install covers and inlet vent grille' for more information.

2 COMPONENTS LIST

Pre-installed parts — included with the appliance.



Top hanging bracket (2x)



Top hanging bracket cover (2x)



Top attachment ruler (4x)



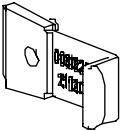
Hinge covers (4)



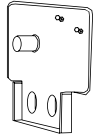
Door gasket baffle* (2x)

* Used only when transporting the appliance. Remove from the door after delivery of the appliance.

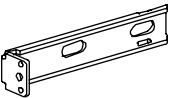
Appliance fittings — included in the appliance.



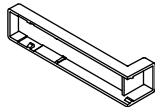
Position adjustment plate (1)



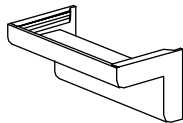
Clearance adjustment plates (4)



Cabinetry attachment bracket (1)

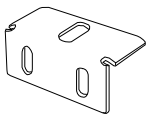


Cabinetry attachment bracket cover (1)



Bottom attachment bracket covers (4)

Door panel (Custom) fittings — included in the appliance.

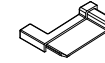


Bottom attachment brackets (4)

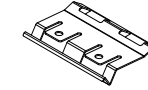
Trim installation fittings — included in the appliance.



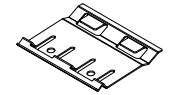
Trim end LH (2)



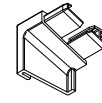
Trim end RH (2)



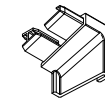
Top trim clips (2)



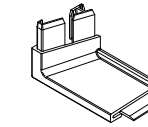
Side trim clips (8)



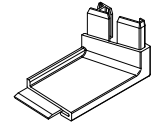
Top corner hinged LH (1)



Top corner hinged RH (1)



Top corner non hinged RH (1)

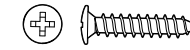


Top corner non hinged LH (1)

Fasteners — included in the appliance.



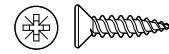
Cabinetry attachment screws (2)



Hinge screws (8)



Bottom attachment screws (4)

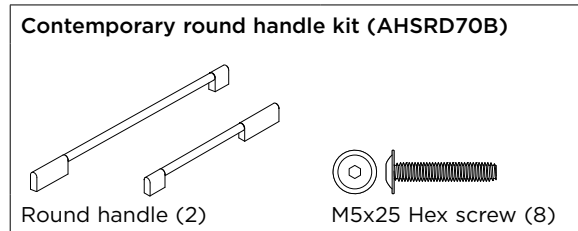
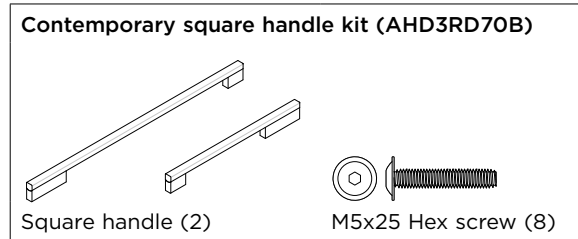


Wood screws (52)



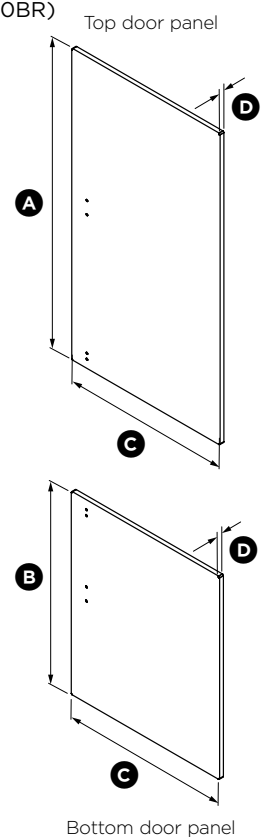
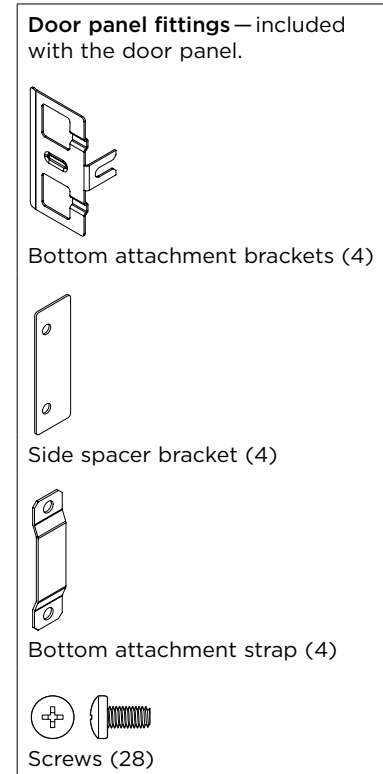
Hinge hole plugs (8)

Door handle kits—not included with the appliance and must be purchased separately.

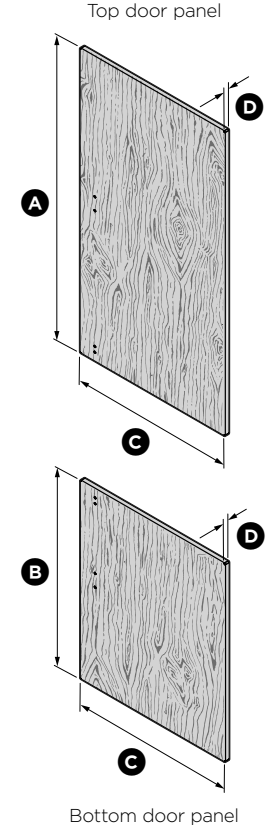
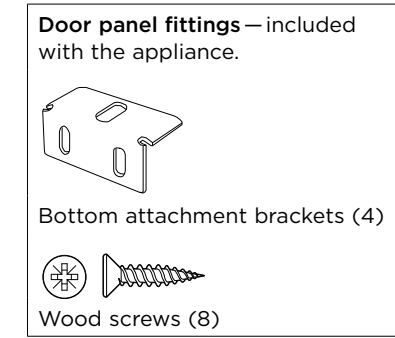


Stainless Steel door panels—Fisher & Paykel (Stainless steel) door panel is not included with the appliance and must be purchased separately.

- Door Panel Set Left Hinge (RD2470BL)
- Door Panel Set Right Hinge (RD2470BR)



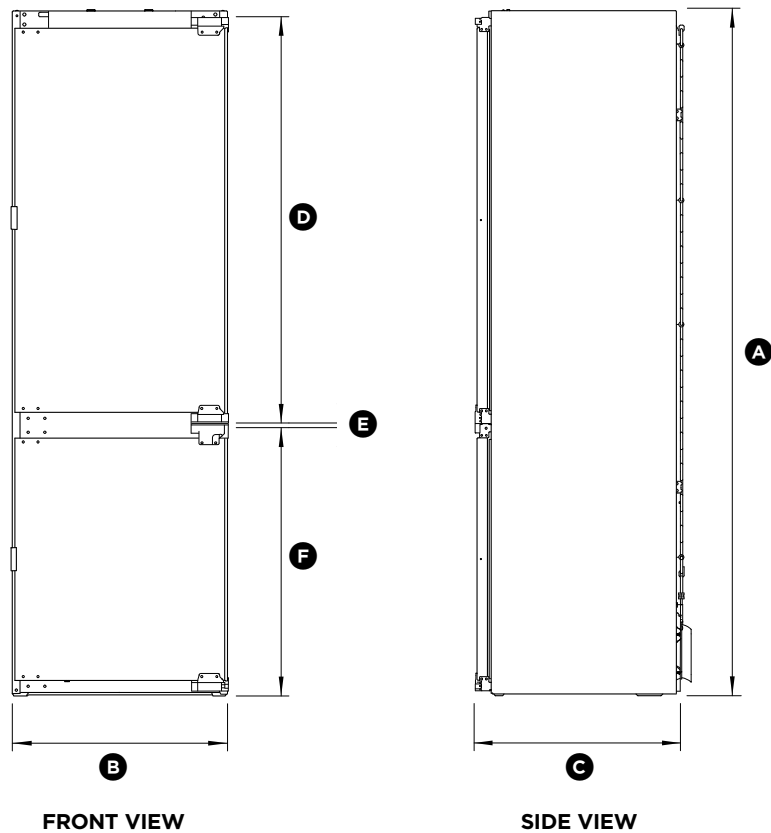
Custom door panels—Customers can supply their own Custom door panel to match their cabinetry.



	STAINLESS STEEL	CUSTOM*
DOOR PANEL DIMENSIONS	in (mm)	in (mm)
(A) Height of top door panel	43 1/4" (1098)	43 1/4" - 43 1/2" (1098 - 1105)
(B) Height of bottom door panel	28 3/16" (716)	28 3/16" (716)
(C) Width of top and bottom door panels	23 3/4" (603)	23 3/8" - 23 3/4" (594 - 603)
(D) Depth of each door panel (excluding door handle)	3/4" (19)	min 5/8" - max 3/4" (16 - 19)
DOOR PANEL WEIGHT	lb (kg)	lb (kg)
Weight of top door panel	18 (8)	max 26 (12)
Weight of bottom door panel	11 (5)	max 26 (12)

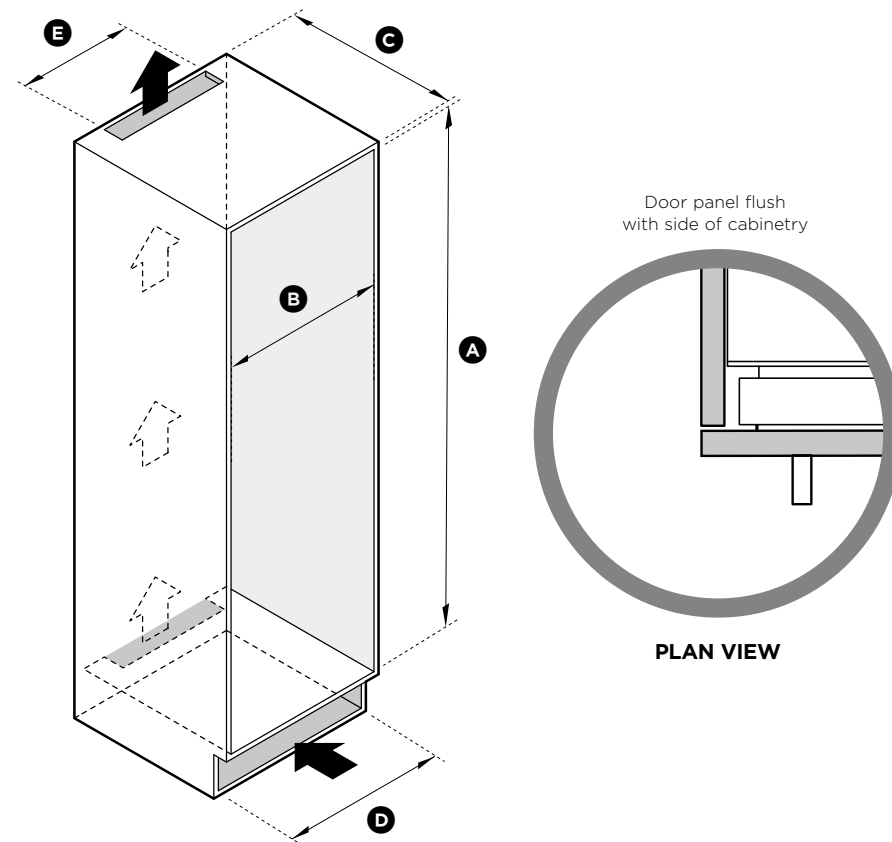
* Custom door panels to be manufactured and fitted by cabinet maker.

4 APPLIANCE DIMENSIONS



APPLIANCE DIMENSIONS	in (mm)
Ⓐ Overall height of appliance	69 3/4" (1773)
Ⓑ Overall width of appliance	21 7/8" (555)
Ⓒ Overall depth of appliance (excluding door panels)	21 1/4" (540)
Ⓓ Height of top door (including top and bottom hinges)	42" (1066)
Ⓔ Height of hinge gap	1/2" (12)
Ⓕ Height of bottom door (including top and bottom hinges)	27 1/4" (692)
APPLIANCE SPECIFICATIONS	
Weight (including packaging)	81kg (179lbs)
Weight (without packaging)	75kg (165lbs)

5 CABINETY DIMENSIONS



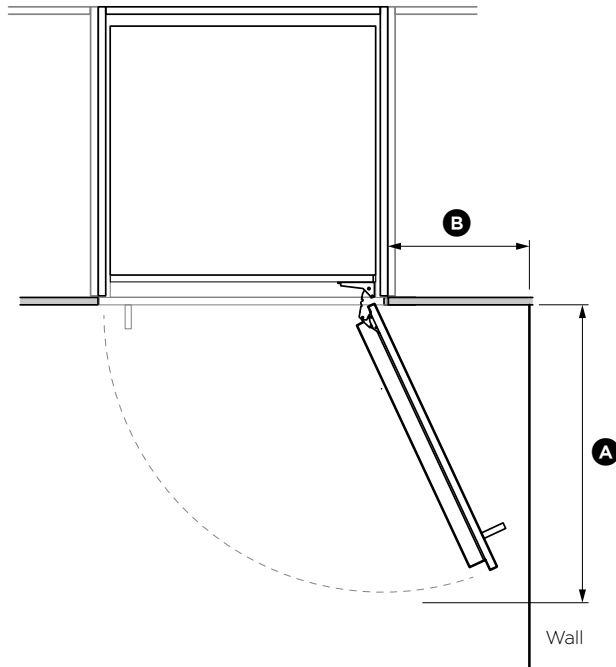
CABINETY DIMENSIONS	in (mm)
Ⓐ Inside height of cabinetry	70 1/8" - 70 1/4" (1782 - 1786)
Ⓑ Inside width of cabinetry	22 1/4" - 22 1/2" (564 - 570)
Ⓒ Overall depth	min 21 5/8" (min 550)
MINIMUM CLEARANCE	in ² (mm ²)
Ⓓ Minimum inlet vent area*	31 (20000)
Ⓔ Minimum outlet vent area	43 (28000)

* An optional inlet vent grille is available for inlet vent area with dimensions 17 5/8" x 2 1/8" (448mm x 55mm). Refer to 'Install covers and inlet vent grille' for more information.

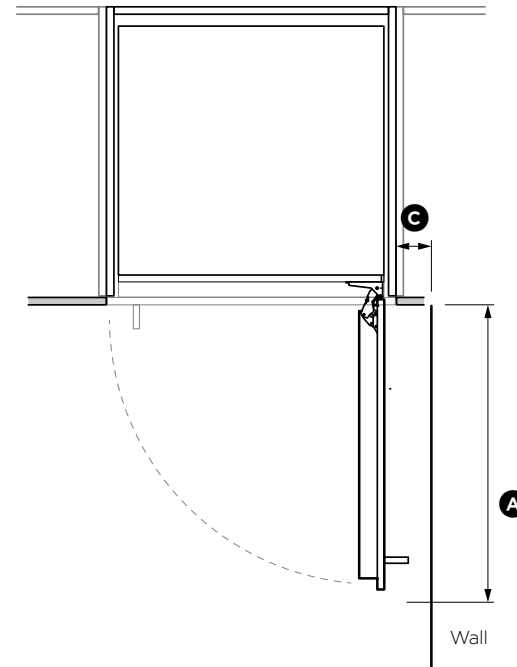
⑥ DOOR OPENING ROTATION

WARNING!

- Ensure that the appliance is stable before opening the doors.
- Ensure that you follow the instructions to avoid risks that can cause serious injury or death.



**115° DOOR OPENING
(FULL ROTATION)**



90° DOOR OPENING

DOOR OPENING AND CLEARANCE DIMENSIONS

- | | in (mm) |
|--|---------------|
| Ⓐ Width of door (90° open) measured from front of door panel | 24" (610) |
| Ⓑ Minimum door clearance* to adjacent wall (115°) | 13 3/4" (350) |
| Ⓒ Minimum door clearance* to adjacent wall (90°) | 4" (100) |

in (mm)

24" (610)

13 3/4" (350)

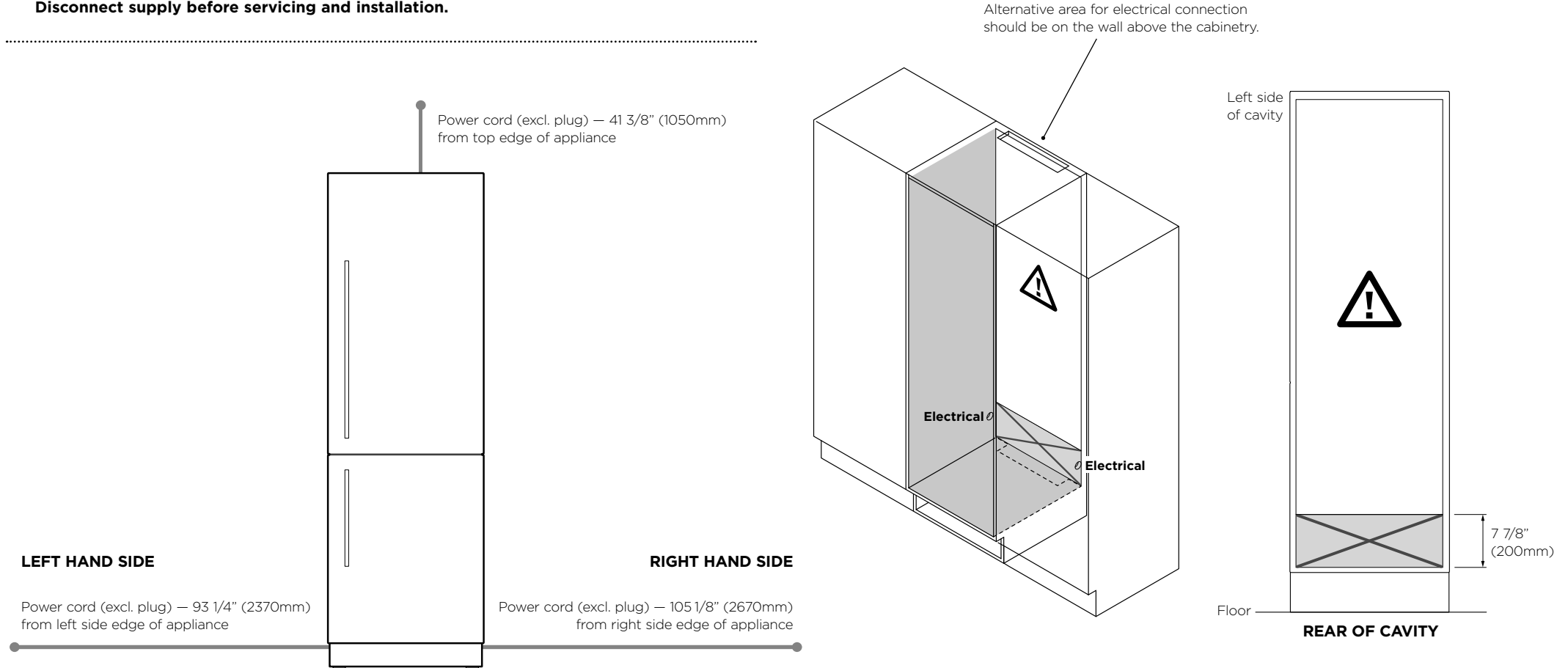
4" (100)

* Measured from front cabinetry edge.

7 ELECTRICAL SPECIFICATIONS

WARNING!

- **Electric shock hazard! Assume all parts are live. Disconnect supply before servicing and installation.**



ELECTRICAL SPECIFICATIONS

Supply	120 VAC, 60Hz
Service	10 amp circuit
Outlet	3-prong grounding plug [NEMA 5-15P]

Note: Electrical connection can be located in an adjacent cabinet to either side of the fridge or above the fridge cavity. We recommend to use an isolating switch that is easily accessible to the user after the refrigerator is installed.

✗ Do not locate electricity in this area, keep clear of connections.

⚠ CAUTION: central area can only fit water outlet and electrical plug if they are placed within a recessed cavity.

IMPORTANT!

- Ensure your appliance is not exposed to any heat generating appliances eg cooktop, oven or dishwasher.
 - The appliance must be installed by a qualified installer, or Fisher & Paykel trained and supported service technician to avoid faulty electrical connection.
 - All connections for electrical power and grounding must comply with local codes and ordinances and be made by licensed personnel when required.
 - Avoid installation of the appliance/s under a ground fault circuit interrupter (GFCI).
 - Ensure the appliance is installed properly. Improper installation that results in appliance failure is not covered under the appliance warranty.
-

Check the installation location

Cabinetry

- Check the dimensions of the cabinetry (width, depth, height, floor level, finished alcove returns).
- Ensure that the ventilation openings in the cabinetry are clear of obstruction.

Power supply connection

- Ensure that there is a separate power outlet for the appliance.
- Avoid sharing the power point with other appliances to prevent the appliance from accidentally switching off.
- For power requirements, refer to the information on the serial plate.
- Ensure your appliance is properly grounded (earthed).
- Connect your appliance to an electrical supply with the fitted plug and lead.
- We recommend to use an isolating switch that is easily accessible to the user after the appliance is installed.

Your appliance

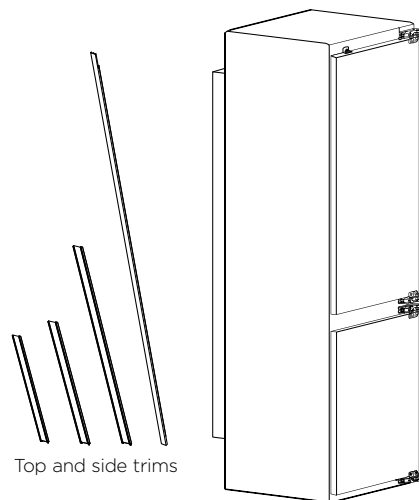
- Ensure that your appliance is the correct model as per your order.
- Ensure that the packaging is not damaged upon delivery.
- Check that the components and install kits are complete.

IMPORTANT!

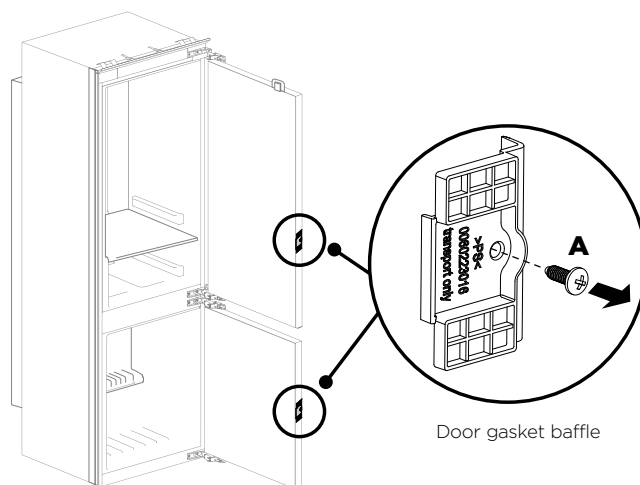
- Be careful when unpacking to prevent damage to the surface of your appliance.
- Ensure that the appliance is stable to prevent from tipping over when unpacking.
- Do not open the doors to prevent the appliance from tipping over.
- If the appliance is damaged, contact your Fisher & Paykel dealer.
- Take note of your model and registration numbers located at the bottom right side of the appliance. You will need these to request for servicing or repair of your appliance.

Unpacking your appliance

- 1 Remove the carton and packaging, along with the rip tag.
- 2 Remove the side trims taped to the side of the appliance and the top trim from inside the appliance.
- 3 Remove the bags of component parts from inside the appliance.



- 4 Remove the door gasket baffles from both doors (A).
 - Keep the door gasket baffles in case you need to move the appliance in the future.



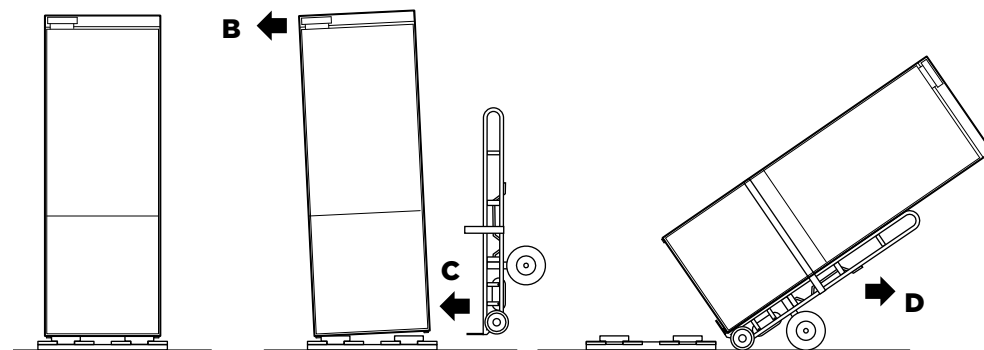
Door gasket baffle

WARNING!

- Follow these instructions to avoid risks that can cause serious injury or death.
- Keep doors closed until the appliance has been moved to its installation location.

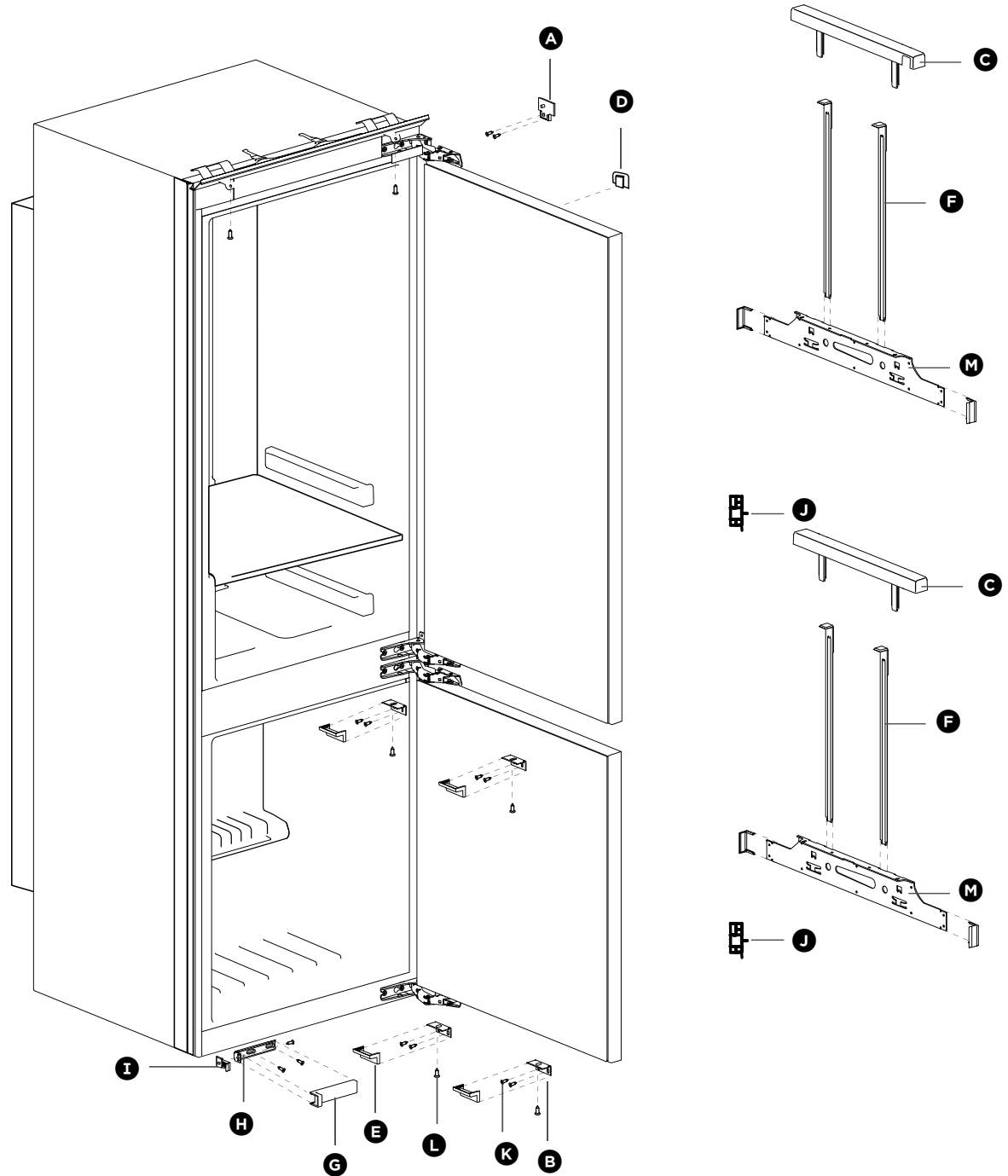
Moving your appliance

- 5 After unpacking, tape the door shut to prevent the possible opening of the doors when tilting.
- 6 Tilt the appliance slightly forward (B) and slide a two-wheeled cart (C) between the appliance and base pack (polystyrene foam).
 - Do not insert the cart from the back or front side of the appliance!
- 7 Restrain the appliance to the cart with straps, and then tilt backward onto the cart (D).
- 8 Set aside the base pack and push the appliance to the installation location.
 - Make sure the door stays closed until the appliance is positioned inside the cabinetry.



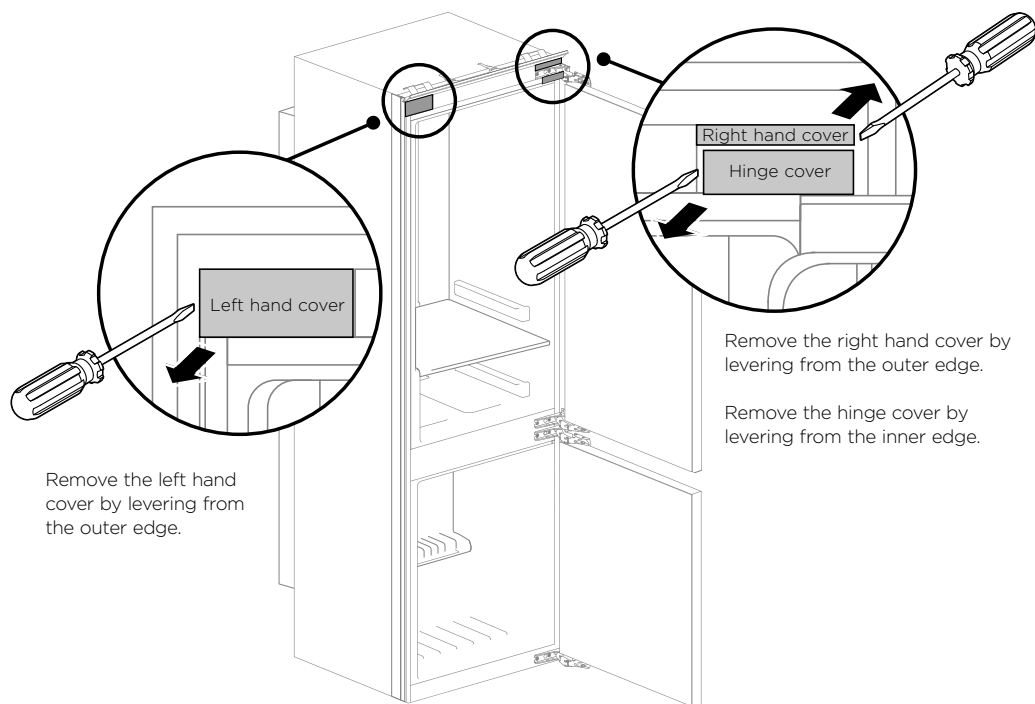
10 INSTALLATION OVERVIEW

- Ⓐ Clearance adjustment plate
- Ⓑ Bottom attachment bracket
- Ⓒ Hanging bracket cover
- Ⓓ Sensor magnet
- Ⓔ Bottom attachment bracket cover (Custom door only)
- Ⓕ Top attachment ruler
- Ⓖ Cabinetry attachment bracket cover
- Ⓗ Cabinetry attachment bracket
- Ⓘ Position adjustment plate
- Ⓝ Door gasket baffle
- Ⓚ Wood screw
- Ⓛ Bottom attachment bracket screw
- Ⓜ Top hanging bracket

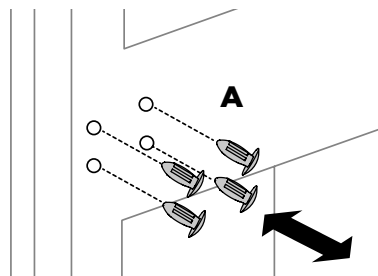


11 CHANGING OVER DOOR HINGE (OPTIONAL)

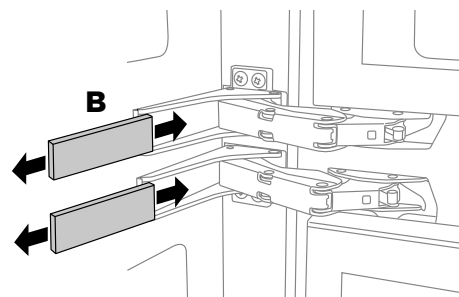
This model is right hinged with a left-opening door. If required, you can change this model to left hinged with a right-opening door.



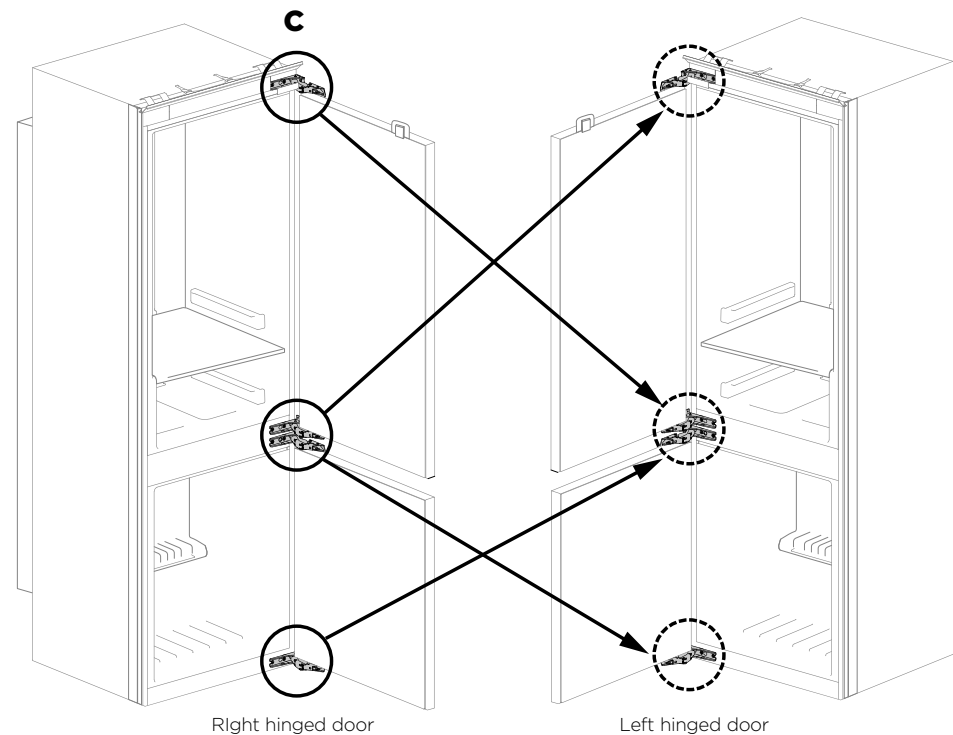
- 1 Remove the covers on the left and right ends of the control panel using a flat-head screwdriver.



- 2 When changing the hinge position remove the hinge hole plugs (A).

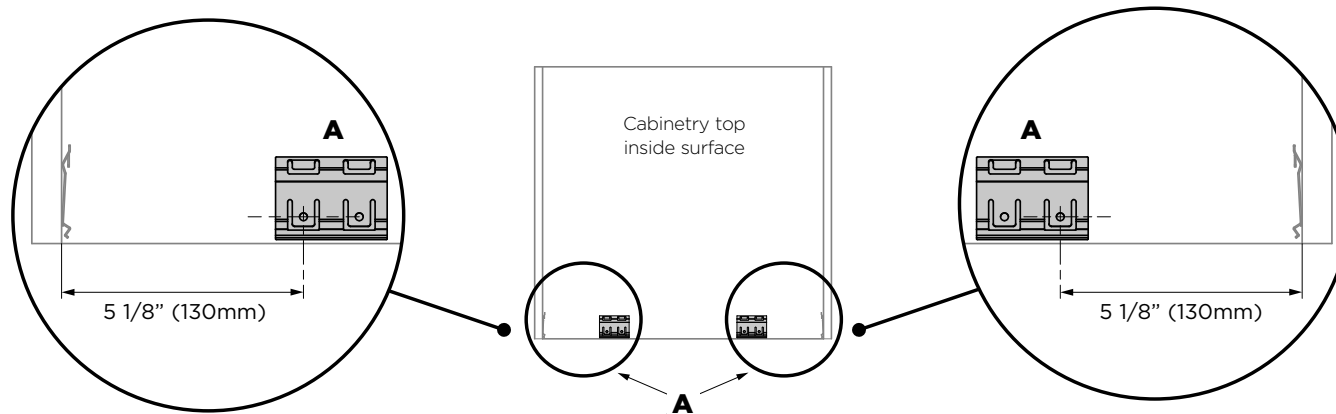


- 3 Remove the remaining hinge covers (B).



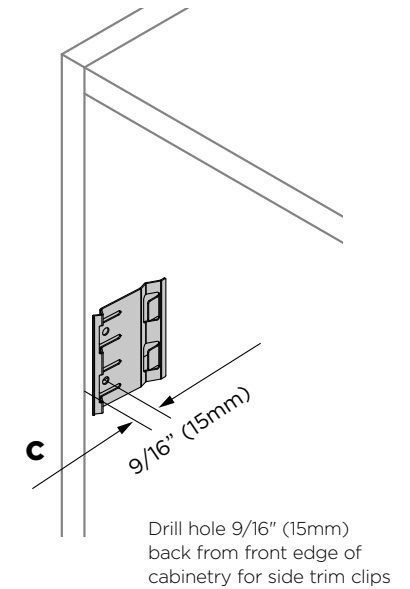
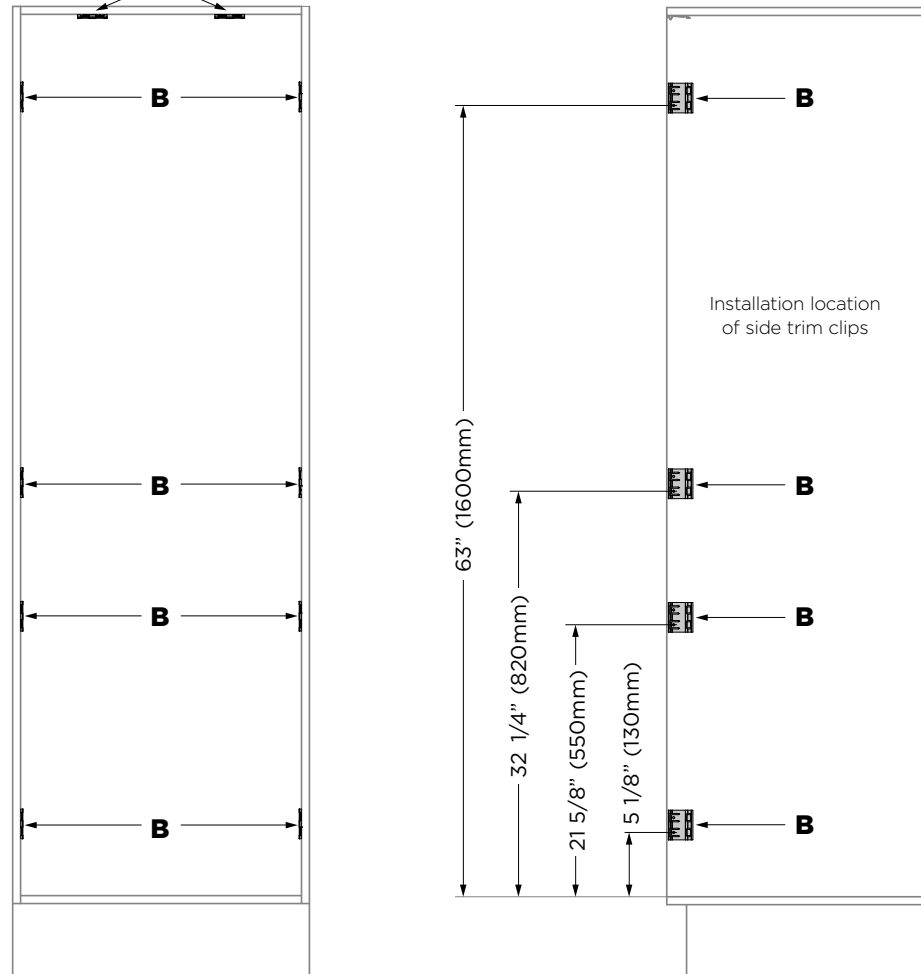
- 4 Remove the door hinges (C) and refit to the opposite side (as illustrated above).
- 5 Insert the hinge covers (B).
- 6 Insert the hinge hole plugs to the holes on the opposite side (A).

12 INSTALL TRIM CLIPS



Installing trim clips to the cabinetry

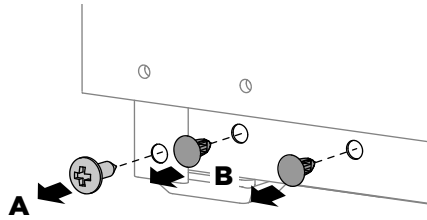
- ① Install top trim clips (**A**) to the top inside surface of the cabinetry at a minimum clearance of 5 1/8" (130mm) from the top side edge of the cabinetry.
- ② Install side trim clips (**B**) to the right and left side inner surfaces of the cabinetry. Drill each screw hole 9/16" (15mm) from the front edge of the cabinetry side (**C**).



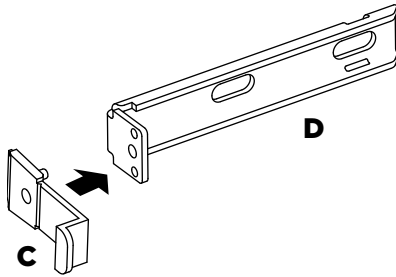
13 INSTALL CABINETRY ATTACHMENT BRACKETS

Install cabinetry attachment bracket to the appliance

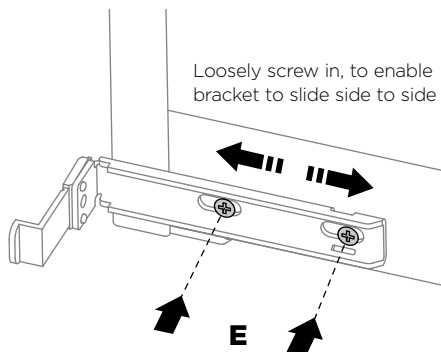
- 1 Remove the pre-existing screw/plastic washer (A) and plastic plugs (B) on the non-hinge side bottom corner of the appliance.



- 2 Attach the position adjustment plate (C) to the cabinetry attachment bracket (D) by inserting the knobs of the plate into the holes of the bracket.



- 3 Install the cabinetry attachment bracket to the bottom non-hinge side of the appliance by inserting two screws (E) into the existing plug holes.
 - Do not tighten fully to allow for adjustment.

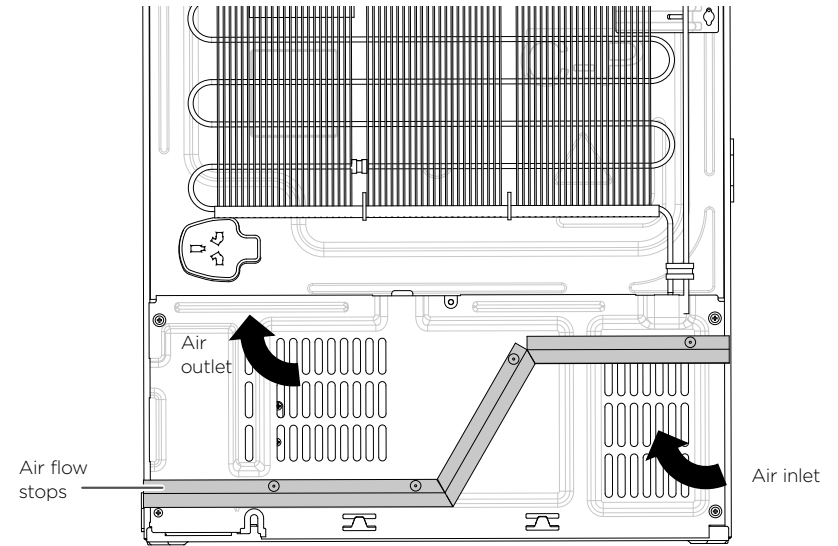


Adjust the air flow stops

- 4 Adjust the air flow stops located on the back cover of the compressor. Ensure the air flow stops make contact with the cabinetry.

IMPORTANT!

It is possible for the air flow stops to get flattened during transport. If this happens, unfurl the air flow stops to ensure they meet the back of the cabinetry to help airflow.



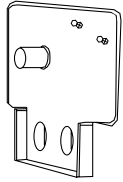
Adjust the air flow stops

14 INSTALL CLEARANCE ADJUSTMENT PLATES

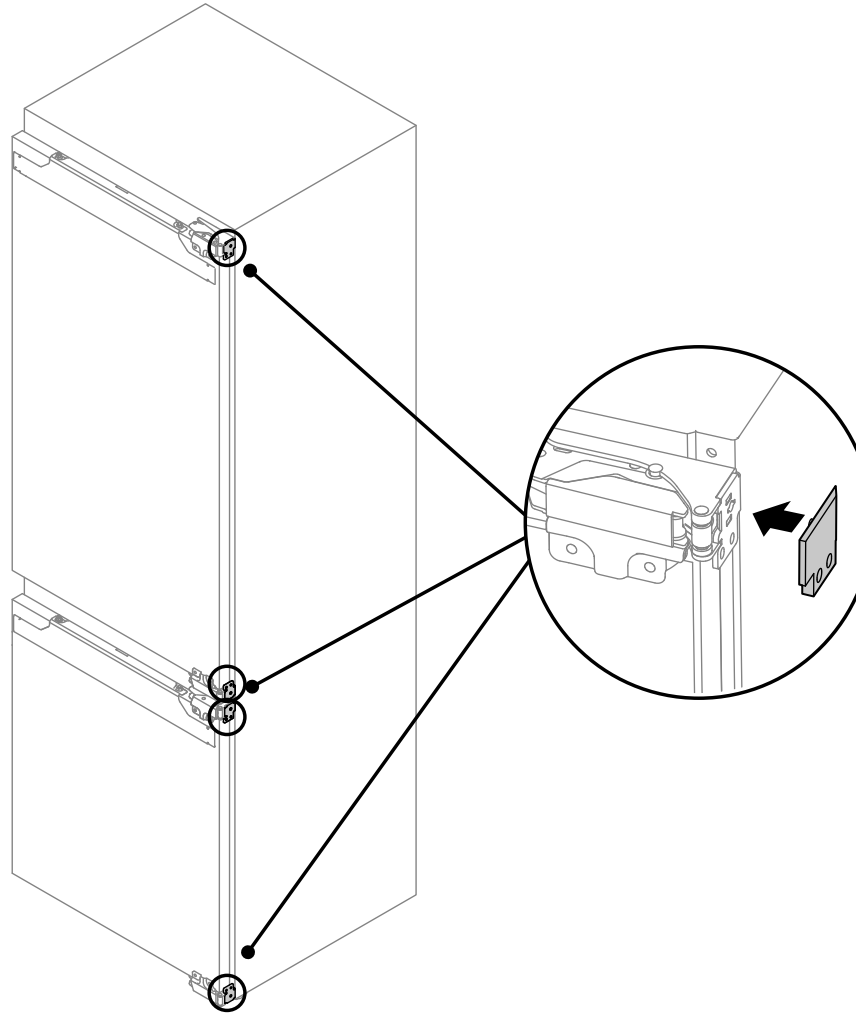
IMPORTANT!

Clearance adjustment plates are installed depending on the overall dimensions of your cabinetry (see table for more information).

- ① Attach clearance adjustment plates to the door hinges of the refrigerator and freezer doors.
 - Ensure the correct orientation when attaching the plates.



Clearance adjustment plate



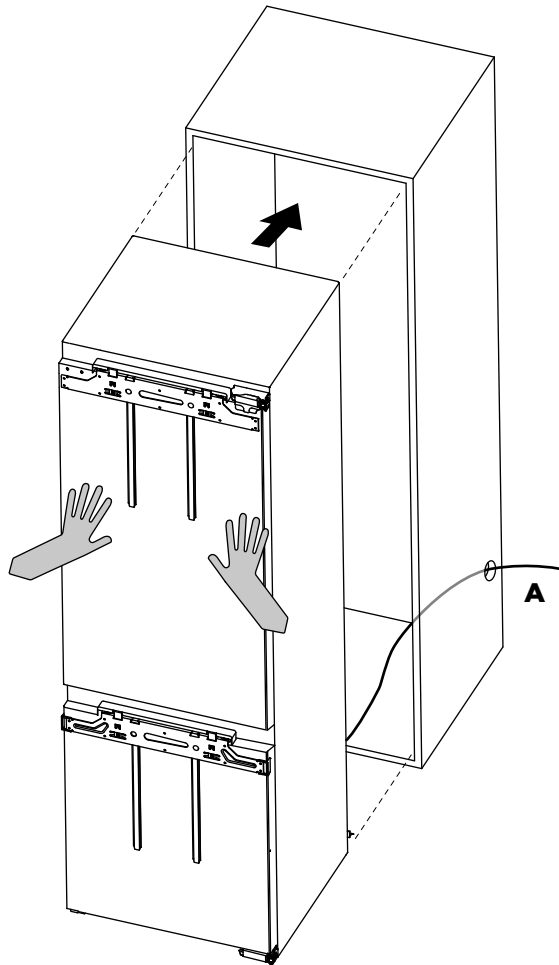
CABINERY	OUTSIDE WIDTH OF CABINERY in (mm)	INSIDE WIDTH OF CABINERY in (mm)	THICKNESS OF SIDE PANEL in (mm)	CLEARANCE ADJUSTMENT PLATE
Standard US	24" (609)	22 1/2" (571.5)	3/4" (19)	✓
Standard European	23 5/8" (600)	22 1/4" (564)	11/16" (18)	✗*
		22 1/2" (570)	5/8" (15)	✓

* The clearance adjustment plate is not necessary if the outside width of your cabinetry is 23 5/8" (600mm) with 22 1/4" (564mm) inside dimension and 11/16" (18mm) side panels.

15 POSITION YOUR APPLIANCE INSIDE THE CABINETY

Connecting the appliance to the power supply

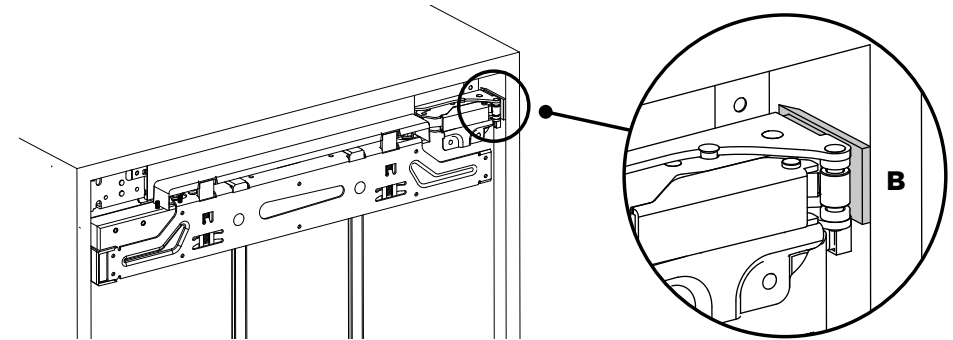
- 1 Move the appliance in front of the cabinetry close enough that you can access behind to connect the power supply.



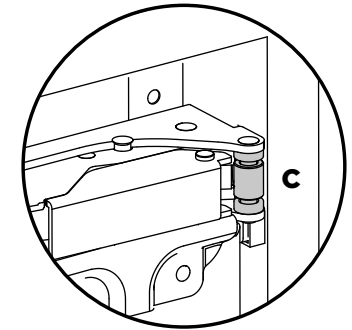
- 2 Connect the power cord of the appliance to the power outlet (**A**) and turn ON before placing into the cabinetry.
 - Ensure that the power cord does not bend or get entangled to prevent damage that can cause a fire hazard.

Aligning the appliance inside the cabinetry

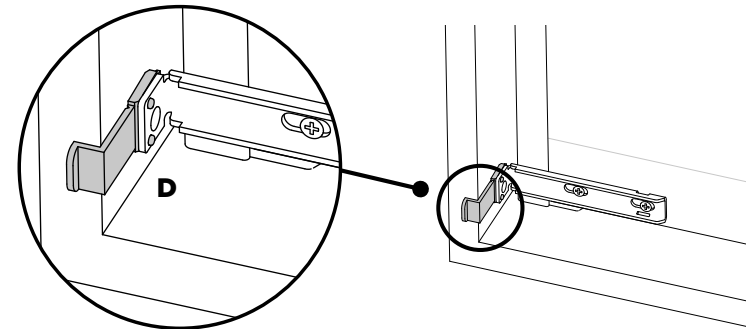
- 3 Push the appliance all the way into the cabinetry and adjust its position.
 - Ensure the front edges of all clearance adjustment plates (refrigerator and freezer doors) are flush with the cabinetry front edge (**B**).



Note: If not using clearance adjustment plates, ensure the front face of each door hinge is flush with the cabinetry front edge (**C**).

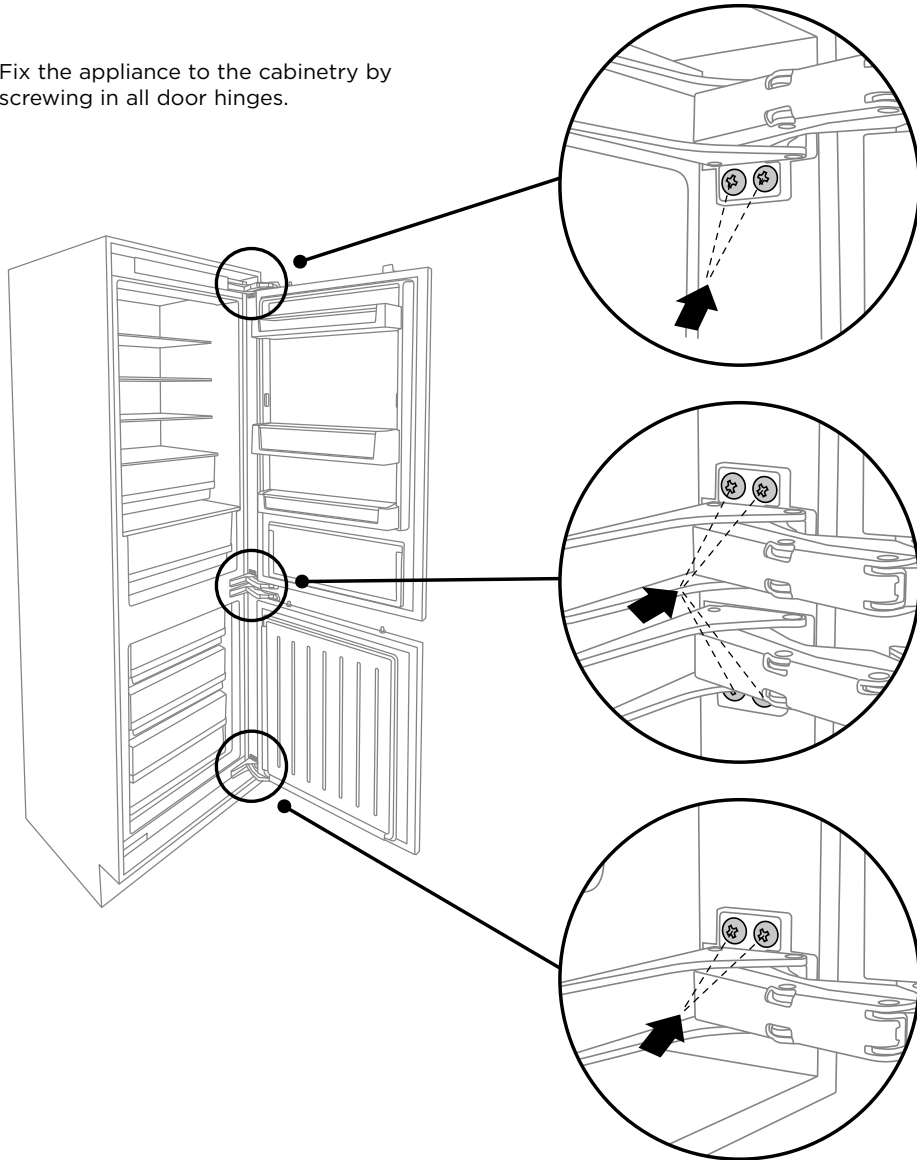


- 4 Ensure the front tab of the position adjustment plate is up against the cabinetry front edge (**D**).

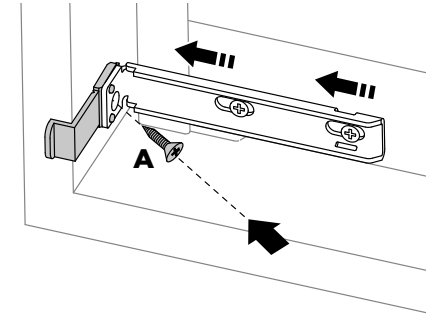


16 FIX YOUR APPLIANCE INSIDE THE CABINETY

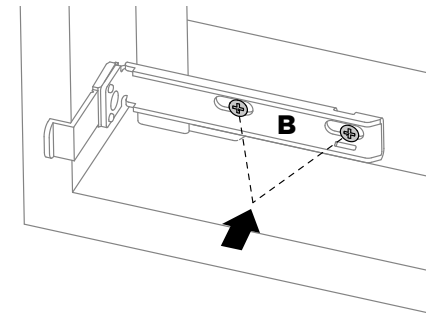
- ① Fix the appliance to the cabinetry by screwing in all door hinges.



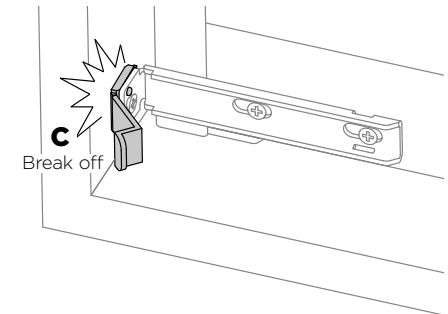
- ② Slide the cabinetry attachment bracket towards the cabinetry wall so that the position adjustment plate is pressed against the cabinetry wall, and then fix with a wood screw (A).



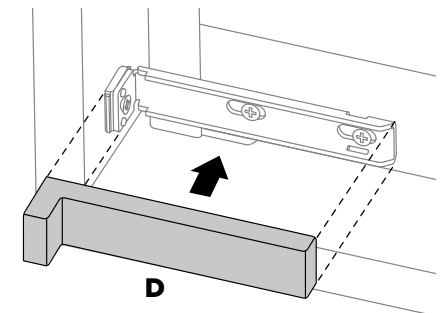
- ③ Tighten the attachment bracket screws (B).



- ④ Once the appliance is fixed into the cabinetry, break off the tab of the position adjustment plate (C).



- ⑤ Place the bracket cover on the cabinetry attachment bracket (D).



17 INSTALL THE TRIMS

Top trim

- ① Slide the LH and RH top corners (**A**) into the ends of the top trim (**B**).
- ② Fix the top trim to the trim clips (**C**).

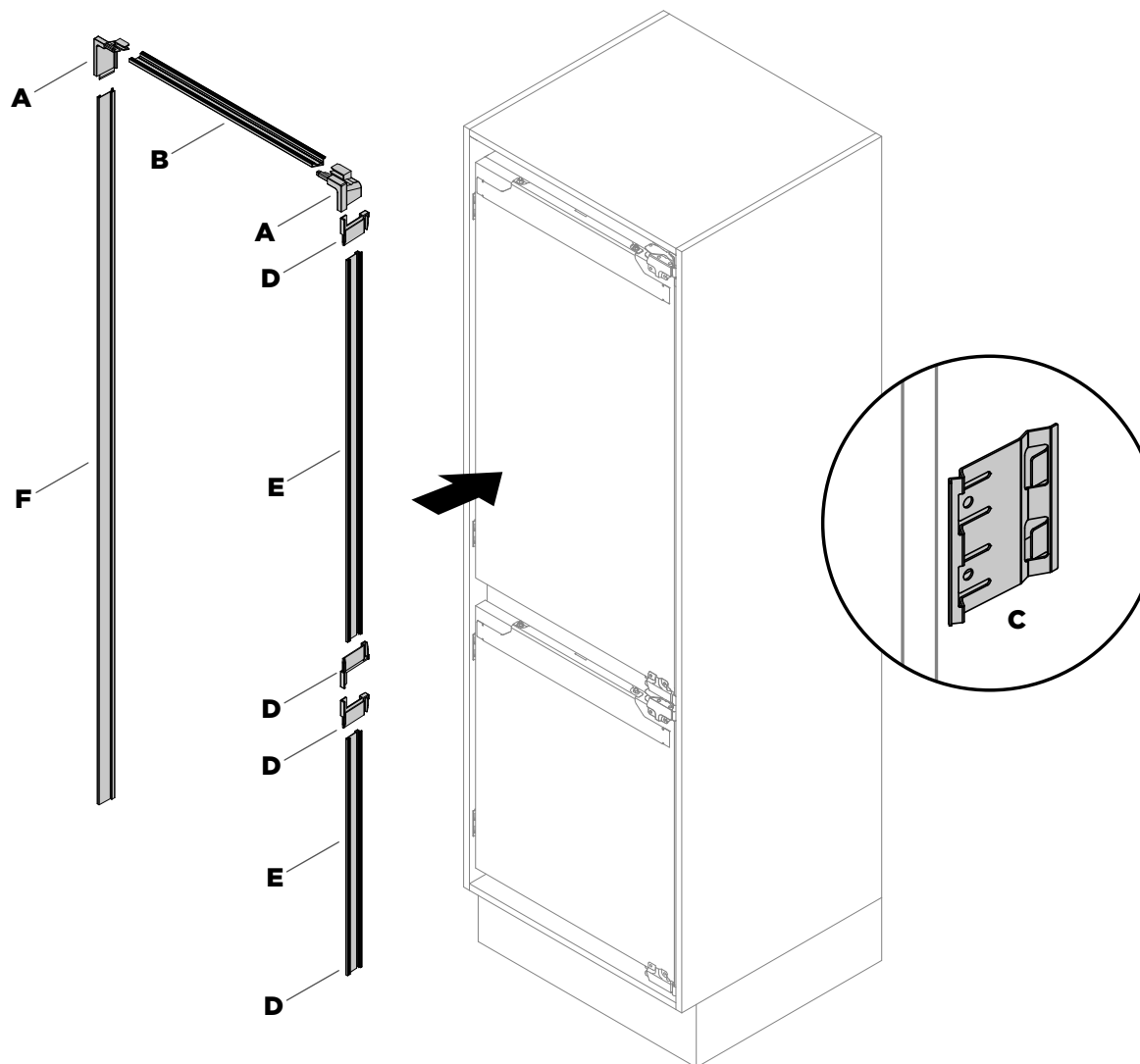
Note: You may need to cut the top trim depending on the overall dimensions of your cabinetry. (See table for more information).

Top and bottom side trims (hinged side)

- ③ Slide the trim ends (**D**) to the top and bottom ends of each side trim (**E**).
- ④ Fix the side trims to the trim clips (**C**).

Side trim (non-hinged side)

- ⑤ Slide the top end of the side trim (**F**) into the LH top corner (**A**).
- ⑥ Fix the side trim to the trim clips (**C**).



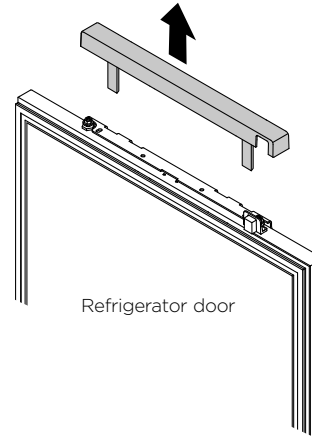
CABINERY	OUTSIDE WIDTH OF CABINERY in (mm)	INSIDE WIDTH OF CABINERY in (mm)	THICKNESS OF SIDE PANEL in (mm)	1/8" (4mm) TO BE CUT FROM TOP TRIM
Standard US	24" (609)	22 1/2" (571.5)	3/4" (19)	X
Standard European	23 5/8" (600)	22 1/4" (564)	11/16" (18)	✓
		22 1/2" (570)	5/8" (15)	X

IMPORTANT!

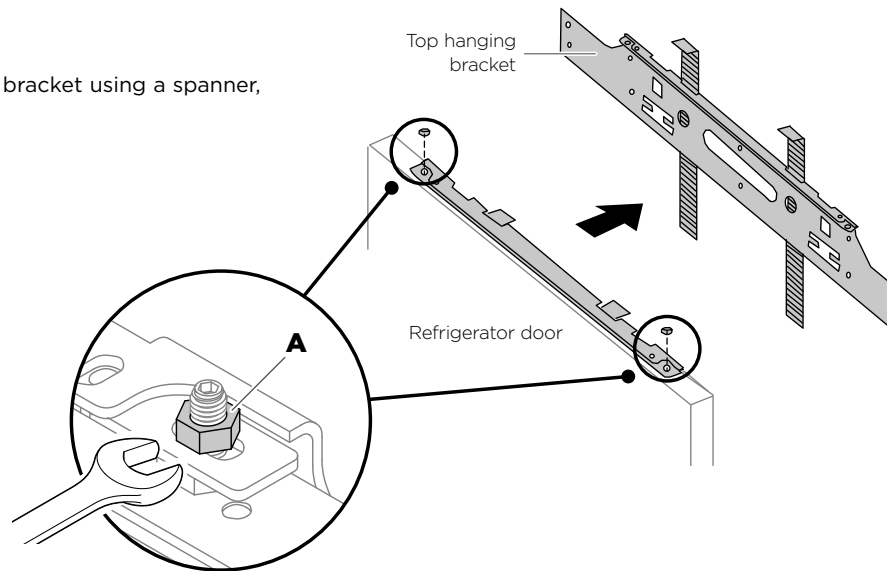
- Ensure to protect the finish of the Fisher & Paykel Stainless steel door panels.
- Leave the protective film on the panels when hanging and remove the film only when the installation is complete.

Removing the hanging bracket

- ① Open the refrigerator door and remove the top hanging bracket cover by drawing out upwards.



- ② Remove the two side adjustment nuts (A) on the top hanging bracket using a spanner, then remove the top hanging bracket and rulers together.
- Keep the hanging bracket to reinstall later.

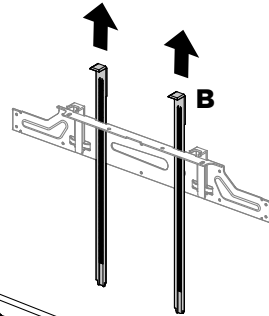


Repeat steps ① - ② for the freezer door.

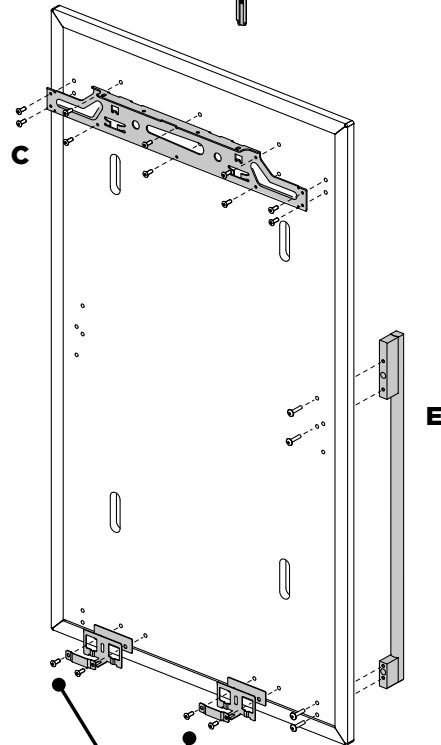
18 INSTALL DOOR PANELS (STAINLESS STEEL)

Installing the hanging and attachment brackets

- ③ Remove the rulers (**B**) from the top hanging bracket and discard.



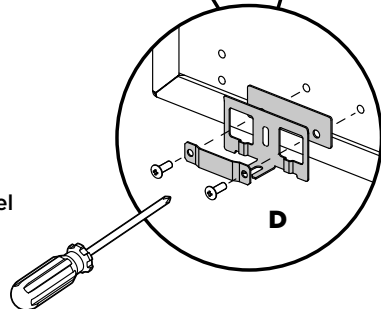
- ④ Align the screw holes of the top hanging bracket with the screw holes of the top door panel and fix the bracket with supplied M5x12 screws (**C**).
- ⑤ Align the screw holes of the bottom attachment bracket assembly (Bottom attachment bracket, Side spacer bracket, Bottom attachment strap) with the screw holes of the top door panel, and fix with M5x12 screws (**D**).



Attaching the door handle

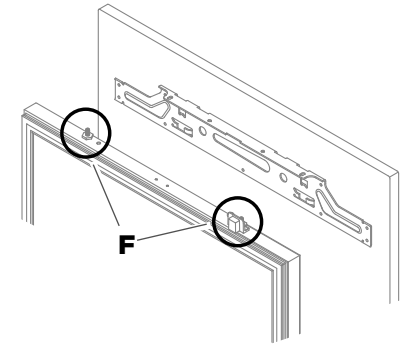
- ⑥ Remove the plastic plugs from handle holes (4x).
- ⑦ Align the handle to the holes and secure with M5x25 hex screws (**E**).

Repeat steps ③ - ⑦ for the door panel of freezer door.

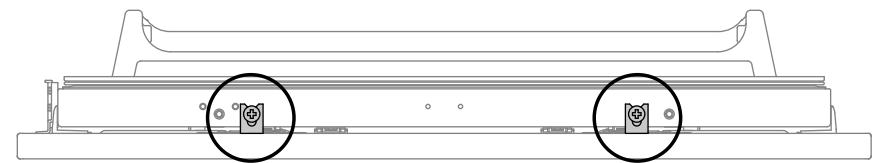
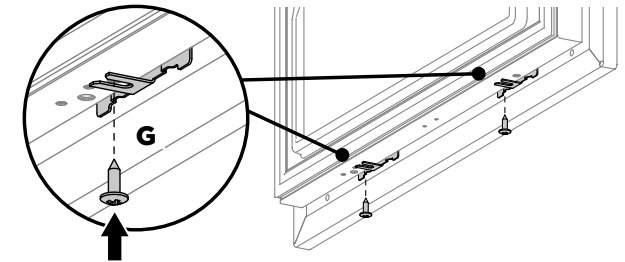


Hanging the door panel

- ⑧ Open the refrigerator door.
- ⑨ Hang the top door panel onto the height adjustment nuts (**F**) at the top of the refrigerator door.



- ⑩ Align the bottom attachment brackets with screw holes at the bottom of the top door panel. Fasten with bottom attachment screws (**G**).
- Do not tighten fully to allow adjustment of the top door panel.

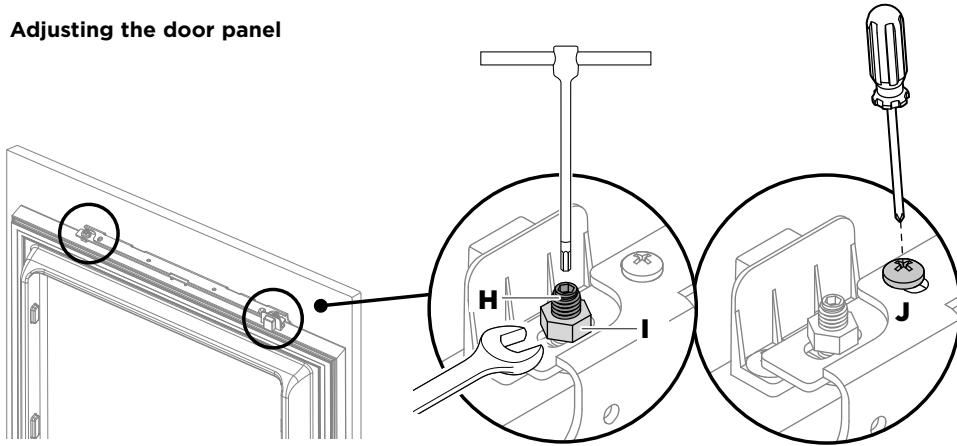


Bottom view of door

Repeat steps ⑧ - ⑩ for the door panel of freezer door.
Note: The magnet sensor is installed only on the refrigerator door.

18 INSTALL DOOR PANELS (STAINLESS STEEL)

Adjusting the door panel



Height adjustment of the door panel

- 11 Turn the height adjustment nuts (**H**) with a hex key. Hold the side adjustment nuts (**J**) in place with a spanner to ensure it does not rotate when turning the height adjustment nuts.
- We recommend to use a T-handle hex key so that the height adjustment nuts can be turned easily without being blocked by the magnet sensor.
 - If the height adjustment nuts cannot be adjusted, check the left and right clearances of the top hanging bracket.

Side adjustment of the door panel

- 12 Move the door panel slightly sideways to adjust the side alignment.
- 13 Screw the side adjustment nuts (**I**) onto the thread of the height adjustment nuts to secure the door panel to the refrigerator door.

Depth adjustment of the door panel

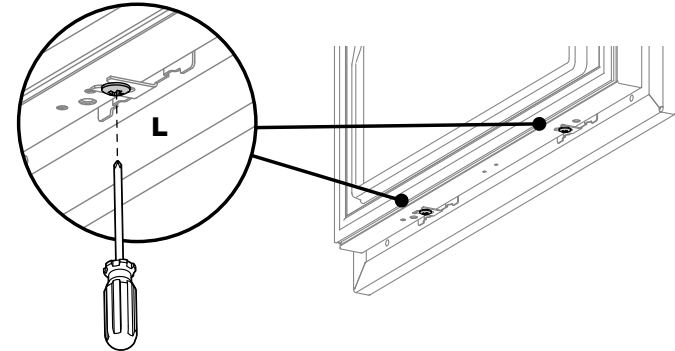
- 14 Loosen the depth adjustment nuts (**J**) and move the door panel forward/backward to adjust the depth position.
- 15 Tighten the nuts fully after you are satisfied with the adjustments.

Repeat steps 11 – 15 for the door panel of freezer door.

Note: The magnet sensor is installed only on the refrigerator door.

Fixing the top door panel

- 16 Once you are satisfied with the adjustment, fully tighten the screws of the bottom attachment brackets (**K**) to secure the door panel.

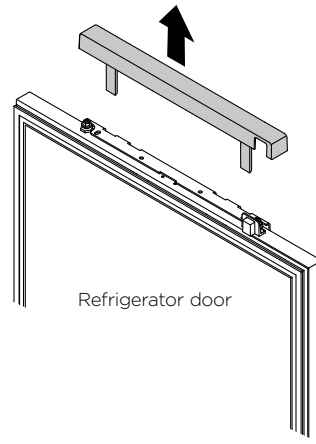


Repeat step 16 for the door panel of freezer door.

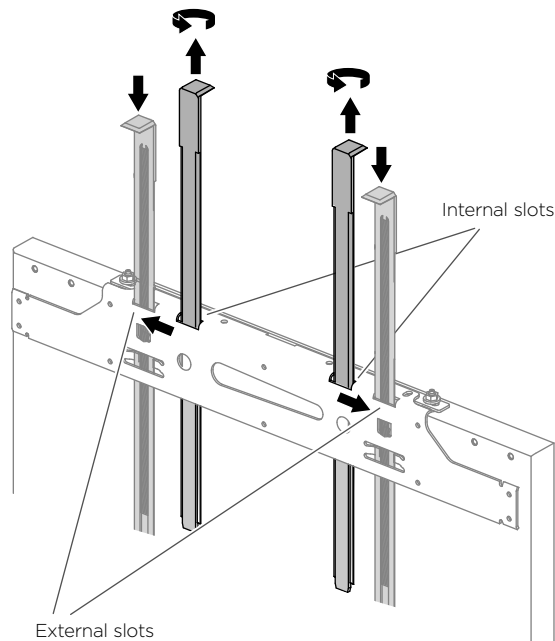
19 INSTALL TOP DOOR PANEL (CUSTOM)

Removing the hanging bracket

- 1 Open the refrigerator door and remove the top hanging bracket cover by drawing out upwards.

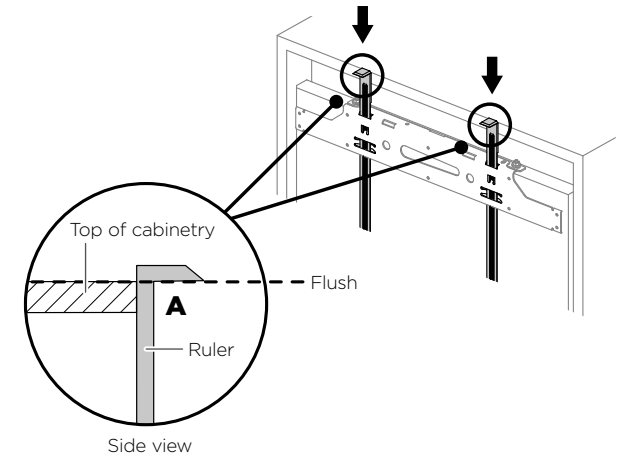


- 2 Pull out the rulers from the **internal slots** of the top hanging bracket and turn the rulers around.

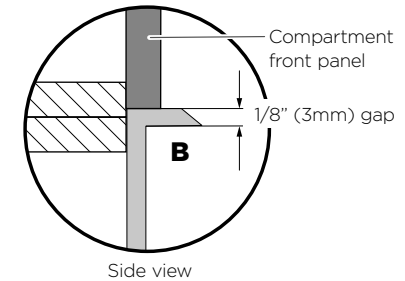


- 3 Insert the rulers into the **external slots** of the top hanging bracket with the overhang of the rulers pointing outward.

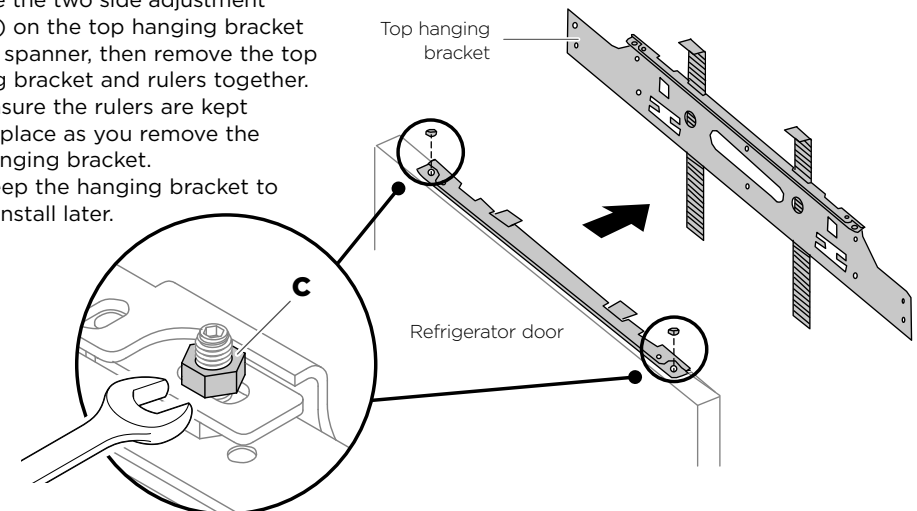
- 4 Push the rulers down so that the underside of the overhang of the ruler is flush with the top of the cabinetry (**A**).



- Note:
- If there is an existing compartment on top of the cabinetry, push the rulers so that the overhang of each ruler contacts the bottom of compartment front panel (**B**).
 - The overhang creates a 1/8" (3mm) gap between top and bottom door panels.



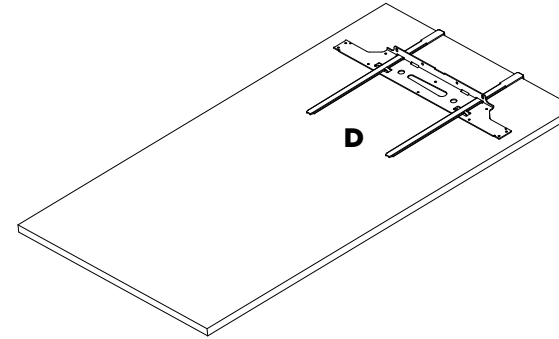
- 5 Remove the two side adjustment nuts (**C**) on the top hanging bracket using a spanner, then remove the top hanging bracket and rulers together.
 - Ensure the rulers are kept in place as you remove the hanging bracket.
 - Keep the hanging bracket to reinstall later.



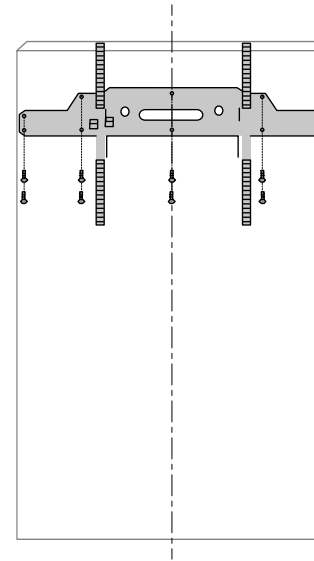
19 INSTALL TOP DOOR PANEL (CUSTOM)

Installing the hanging and attachment brackets

- 6 Lay the top custom door panel (face down) onto the floor and place the top hanging bracket on the door panel. Latch the rulers on top of the door panel (**D**).



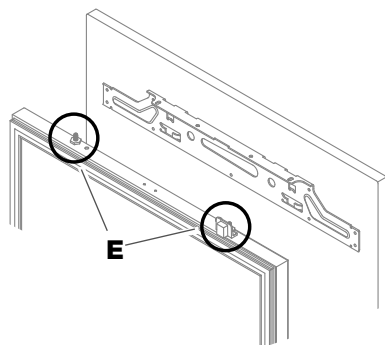
- 7 Align the center line of the top hanging bracket with the center of the top door panel.
- 8 Once aligned, fix the top hanging bracket to the top door panel with wood screws.
- 9 Remove the rulers from the top hanging bracket and discard.



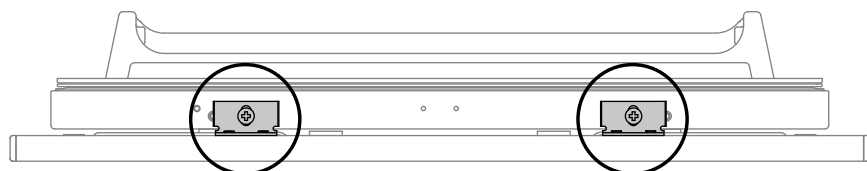
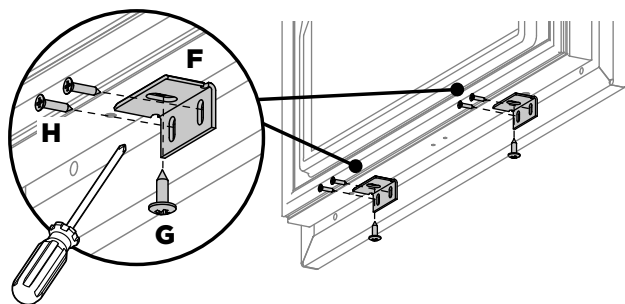
19 INSTALL TOP DOOR PANEL (CUSTOM)

Hanging the door panel

- 10 Open the refrigerator door.
- 11 Hang the top door panel onto the height adjustment nuts (E) at the top of the refrigerator door.

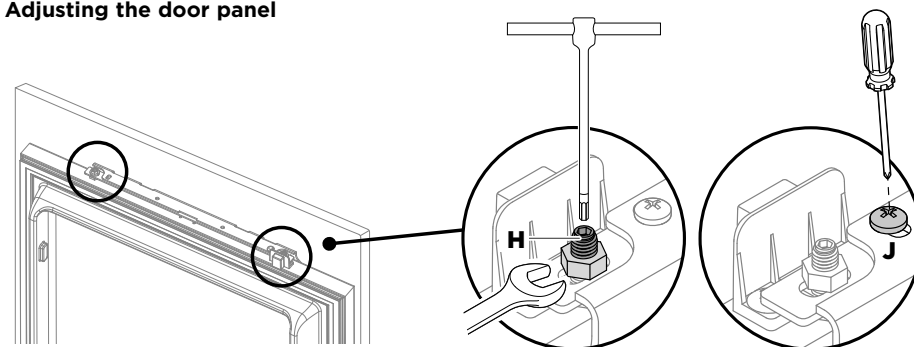


- 12 Align the bottom attachment brackets (F) with the screw holes at the bottom of the top door panel. Fasten with cabinetry attachment screws (G) and wood screws (H).
 - Do not tighten fully to allow adjustment of the top door panel.



Bottom view of door

Adjusting the door panel

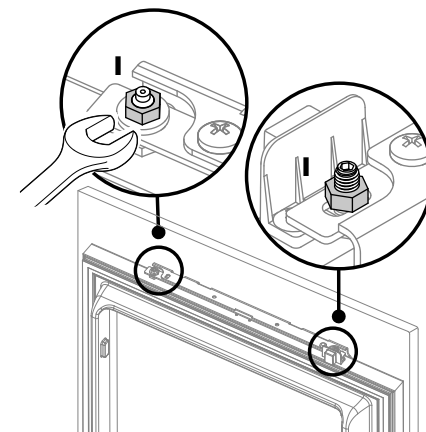


Height adjustment of the door panel

- 13 Turn the height adjustment nuts (H) with a hex key.
 - We recommend to use a T-handle hex key so that the height adjustment nuts can be turned easily without being blocked by the magnet sensor.
 - If the height adjustment nuts cannot be adjusted, check the left and right clearances of the top hanging bracket.

Side adjustment of the door panel

- 14 Move the door panel slightly sideways to adjust the side alignment.
- 15 Screw the side adjustment nuts (I) onto the thread of the height adjustment nuts to secure the door panel to the refrigerator door.

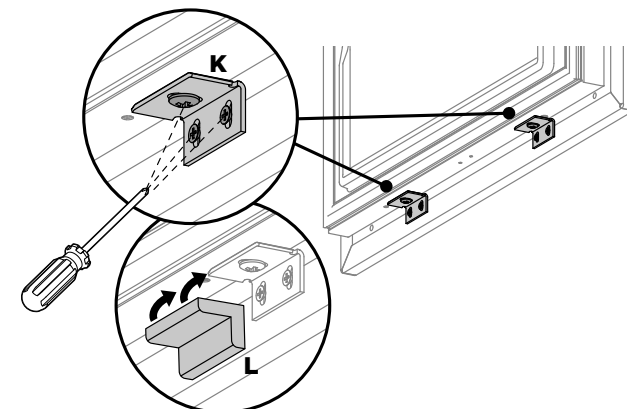


Depth adjustment of the door panel

- 16 Loosen the depth adjustment nuts (J) and move the door panel forward/backward to adjust the depth position.
- 17 Tighten the nuts fully after you are satisfied with the adjustments.

Fixing the top door panel

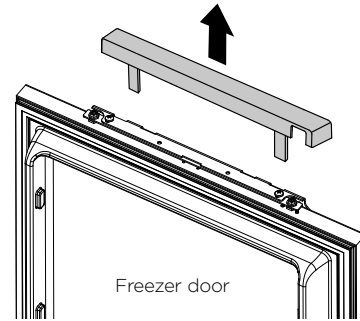
- 18 Once you are satisfied with the adjustment, fully tighten the screws of the bottom attachment brackets (K) to secure the door panel.
- 19 Place the bracket covers on the bottom attachment brackets (L).



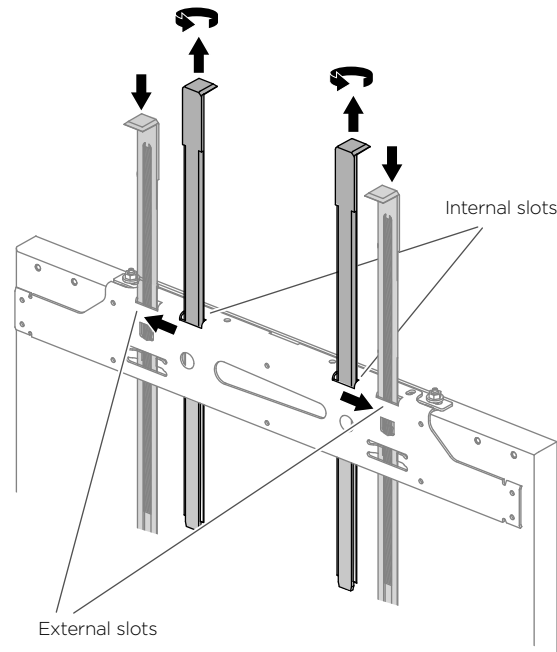
20 INSTALL BOTTOM DOOR PANEL (CUSTOM)

Removing the hanging brackets

- 1 Open the freezer door and remove the top hanging bracket cover by drawing out upwards.

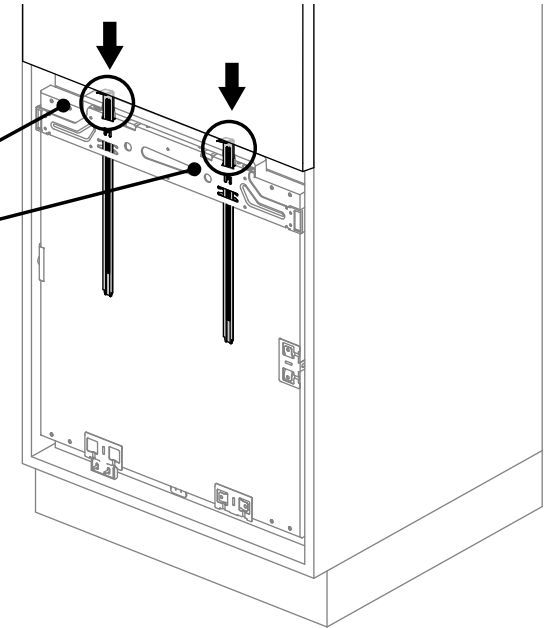
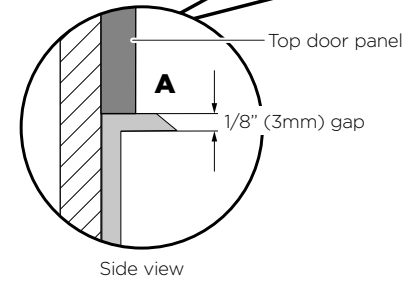


- 2 Pull out the rulers from the **internal slots** of the top hanging bracket and turn the rulers around.

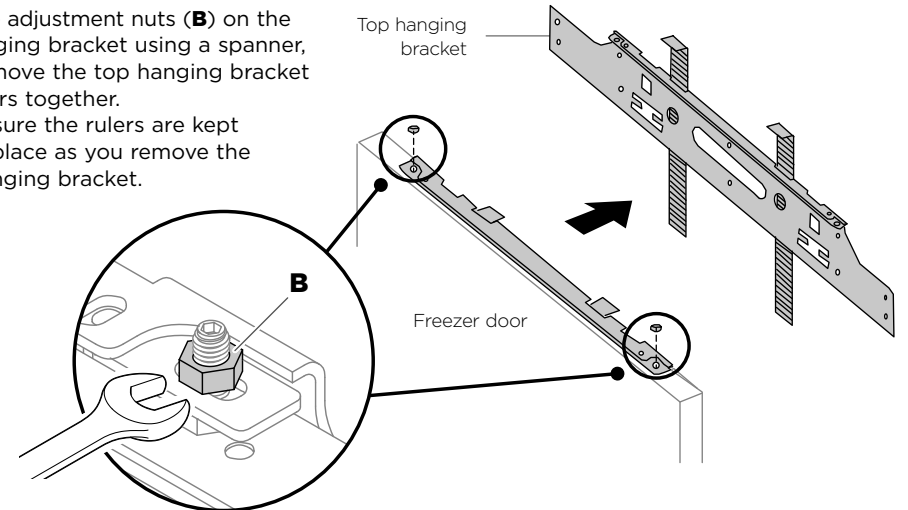


- 3 Insert the rulers into the **external slots** of the top hanging bracket with the overhang of the rulers pointing outward.

- 4 Push the rulers down and close the freezer door. Adjust the rulers so that the top side of the overhang of each ruler contacts the bottom of the top door panel. **(A)**.



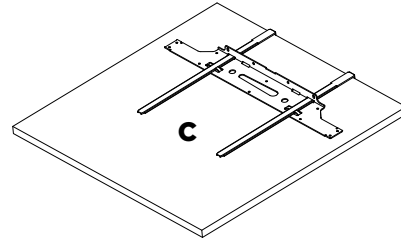
- 5 Open the freezer door. Remove the two side adjustment nuts **(B)** on the top hanging bracket using a spanner, then remove the top hanging bracket and rulers together.
 - Ensure the rulers are kept in place as you remove the hanging bracket.



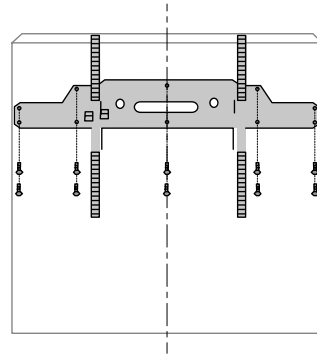
20 INSTALL BOTTOM DOOR PANEL (CUSTOM)

Installing the hanging and attachment brackets

- ⑥ Lay the bottom custom door panel (face down) onto the floor and place the top hanging bracket on the door panel. Latch the rulers on top of the door panel (**C**).

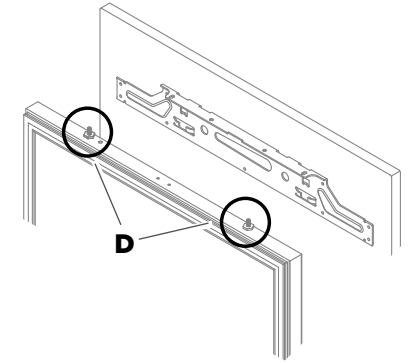


- ⑦ Align the center line of the top hanging bracket with the center of the top door panel.
⑧ Once aligned, fix the top hanging bracket to the bottom door panel with wood screws.
⑨ Remove the rulers from the top hanging bracket and discard.

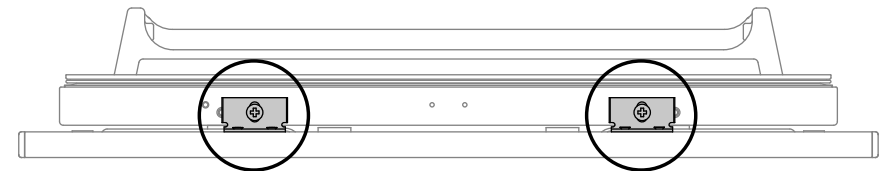
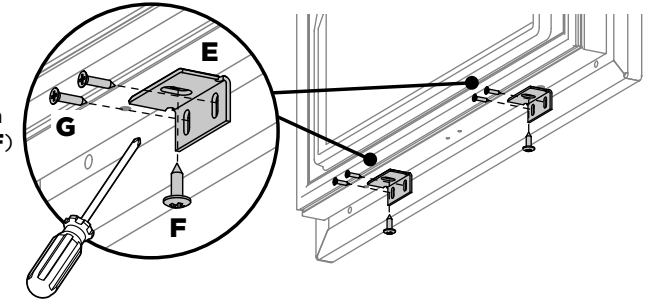


Hanging the door panel

- ⑩ Open the freezer door.
⑪ Hang the bottom door panel onto the height adjustment nuts (**D**) at the top of the freezer door.



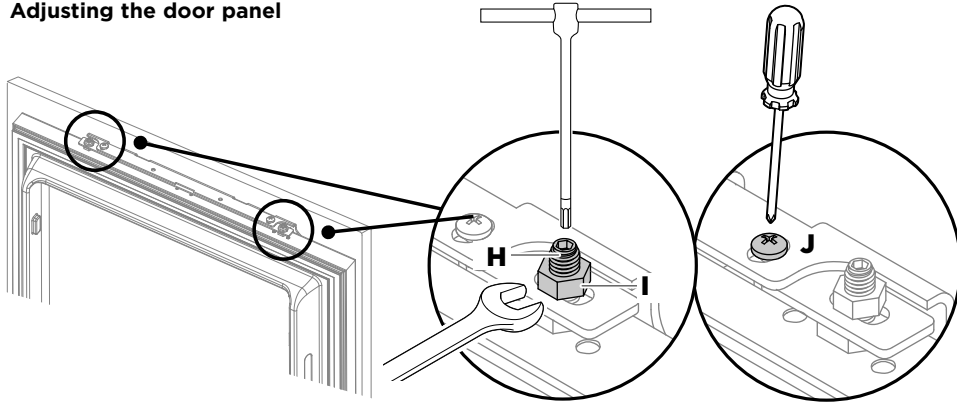
- ⑫ Align the bottom attachment brackets (**E**) with the screw holes at the bottom of the bottom door panel. Fasten with cabinetry attachment screws (**F**) and wood screws (**G**).
- Do not tighten fully to allow adjustment of the bottom door panel.



Bottom view of door

20 INSTALL BOTTOM DOOR PANEL (CUSTOM)

Adjusting the door panel



Height adjustment of the door panel

- 13 Turn the height adjustment nuts (**H**) with a hex key. Hold the side adjustment nuts (**J**) with a spanner wrench to ensure it does not rotate when turning the height adjustment nuts.
- If the height adjustment nuts cannot be adjusted, check the left and right clearances of the bottom hanging bracket.

Side adjustment of the door panel

- 14 Move the door panel slightly sideways to adjust the side alignment.
- 15 Screw the side adjustment nuts (**I**) onto the thread of the height adjustment nuts to secure the door panel to the refrigerator door.

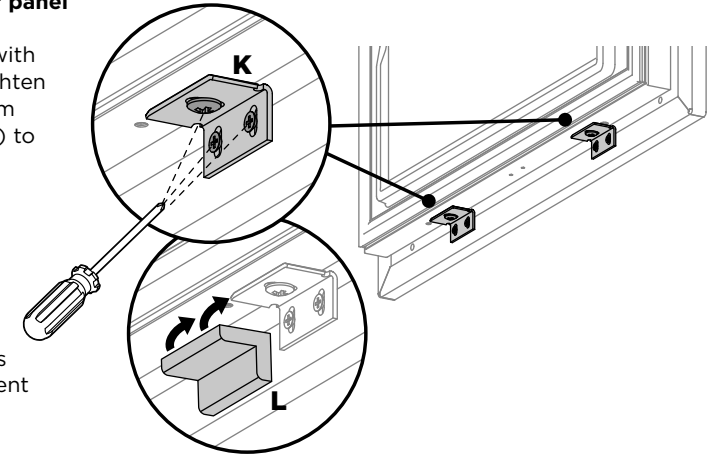
Depth adjustment of the door panel

- 16 Loosen the depth adjustment nuts (**J**) and move the door panel forward/backward to adjust the depth position.
- 17 Tighten the nuts fully after you are satisfied with the adjustments.

Fixing the bottom door panel

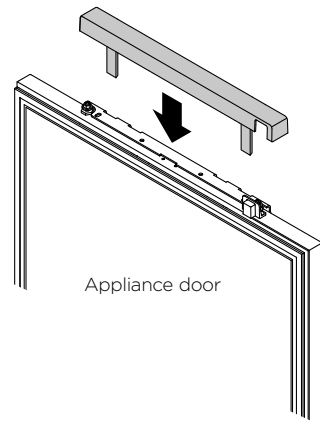
- 18 Once you are satisfied with the adjustment, fully tighten the screws of the bottom attachment brackets (**K**) to secure the door panel.

- 19 Place the bracket covers on the bottom attachment brackets (**L**).

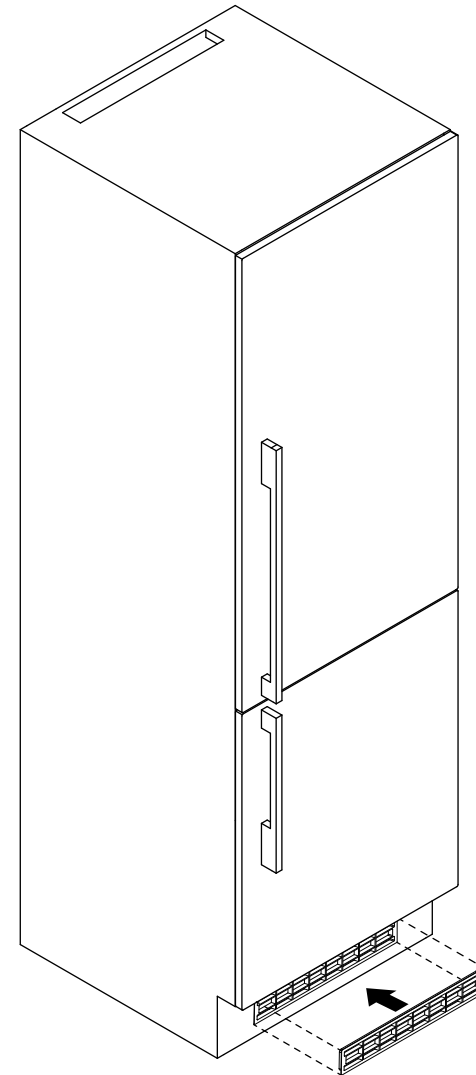


Reinstall the hanging bracket covers

- ① Re-insert the hanging bracket covers onto the top hanging brackets.

**Installing the (optional) inlet vent grille**

- ② Install the inlet vent grille to the inlet vent at the toe kick section of the cabinetry.
- The grille can be purchased as an accessory.



✓ **TO BE COMPLETED BY THE INSTALLER**

All models

- Check all parts are installed.
- Ensure the appliance is level.
- Ensure the appliance is securely fastened to the cabinetry with the supplied fittings.
- Ensure the doors can open and close freely with no resistance from surrounding cabinetry.
- Ensure all internal and external packaging is removed from the appliance before use.

Complete and keep for safe reference:

Model _____

Serial No. _____

Purchase Date _____

Purchaser _____

Dealer Address _____

Installer's Name _____

Installer's Signature _____

Installation Company _____

Installation Date _____

FISHERPAYKEL.COM

© Fisher & Paykel Appliances 2018. All rights reserved.
The appliance specifications in this booklet apply to the specific appliances and models described at the date of issue. Under our policy of continuous appliance improvement, these specifications may change at any time. You should therefore check with your Dealer to ensure this booklet correctly describes the appliance currently available.

F I S H E R & P A Y K E L

**RÉFRIGÉRATEUR/CONGÉLATEUR
ENCASTRABLE DE 24 PO**

Modèle RB2470BRV

GUIDE D'INSTALLATION

US CA

849695C 8.19

TABLE DES MATIÈRES

①	CONSIGNES DE SÉCURITÉ ET MISES EN GARDE			
②	LISTE DES PIÈCES			
③	LISTE DES PIÈCES – PANNEAUX DE PORTES ET POIGNÉES			
④	DIMENSIONS DU PRODUIT			
⑤	DIMENSIONS DES ARMOIRES			
⑥	ROTATION D'OUVERTURE DE LA PORTE			
⑦	SPÉCIFICATIONS ÉLECTRIQUES			
⑧	AVANT L'INSTALLATION			
⑨	DÉBALLAGE ET DÉPLACEMENT DE VOTRE PRODUIT			
⑩	VUE D'ENSEMBLE DE L'INSTALLATION			
⑪	CHANGEMENT DE CÔTÉ DES CHARNIÈRES DE PORTE (ÉTAPE OPTIONNELLE)			
⑫	INSTALLATION DES CLIPS DE GARNITURE			
⑬	INSTALLATION DES SUPPORTS DE FIXATION D'ARMOIRES			
⑭	INSTALLATION DES PLAQUES D'AJUSTEMENT DE DÉGAGEMENT			
⑮	POSITIONNEMENT DE VOTRE PRODUIT DANS LES ARMOIRES			
⑯	FIXATION DE VOTRE PRODUIT DANS LES ARMOIRES			
⑰	INSTALLATION DES GARNITURES			
⑱	INSTALLATION DES PANNEAUX DE PORTES (EN ACIER INOXYDABLE)	OU	⑲	INSTALLATION DU PANNEAU DE PORTE SUPÉRIEUR (SUR MESURE)
			⑳	INSTALLATION DU PANNEAU DE PORTE INFÉRIEUR (SUR MESURE)
⑳	INSTALLATION DES COUVERCLES ET DE LA GRILLE D'ÉVENT D'ENTRÉE D'AIR			
㉑	LISTE DE VÉRIFICATION FINALE			

IMPORTANT! CONSERVEZ CES INSTRUCTIONS

Les modèles illustrés dans ce guide d'installation peuvent ne pas être disponibles dans tous les pays et sont sujets à modifications sans préavis. Pour les plus récentes informations sur la disponibilité des modèles et des caractéristiques dans votre pays, veuillez visiter notre site Web fisherpaykel.com ou contacter votre détaillant Fisher & Paykel local.

① CONSIGNES DE SÉCURITÉ ET MISES EN GARDE

⚠ MISE EN GARDE!



Risque de choc électrique

Lisez et observez les consignes de sécurité et mises en garde contenues dans ce guide d'installation avant d'utiliser ce produit.

Le fait de ne pas respecter ces consignes peut causer la mort, un choc électrique, un incendie ou des blessures.

⚠ MISE EN GARDE!



Risque de coupure

Attention, les bords du panneau sont tranchants. Des blessures ou des coupures peuvent survenir si vous ne faites pas preuve de prudence.

IMPORTANT!

Pour assurer la stabilité du produit dans toutes les conditions d'utilisation, les raccords fournis doivent être installés par un installateur professionnel, conformément aux instructions d'installation suivantes.

② LISTE DES PIÈCES

Emballage d'articles divers – compris dans le produit.



Guide d'utilisation (1x)



Service et garantie (1x)



Guide d'installation (1x)

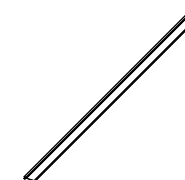
Accessoires du produit – compris avec le produit.
Fixés au côté du produit pendant le transport.



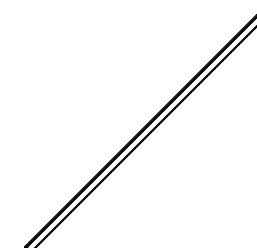
Garniture supérieure* (1x)



Garniture latérale du compartiment inférieur pour côté des charnières (1x)



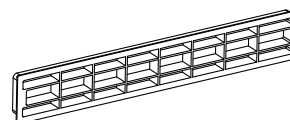
Garniture latérale du compartiment supérieur pour côté des charnières (1x)



Garniture latérale pour côté sans charnière (1x)

* La garniture supérieure se trouve à l'intérieur du compartiment réfrigérateur, derrière les tablettes. Vous devez retirer les tablettes pour sortir la garniture supérieure.

Accessoire en option – non compris avec le produit; vendu séparément.

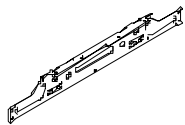


Grille d'évent d'entrée d'air (1x)*

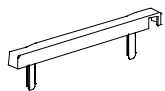
* À utiliser uniquement pour une zone d'évent d'entrée d'air mesurant 17 5/8 po x 2 1/8 po (448 mm x 55 mm) dans les armoires. Reportez-vous à 'Installation des couvercles et de la grille d'évent d'entrée d'air' pour obtenir plus d'informations.

② LISTE DES PIÈCES

Pièces préinstallées — comprises avec le produit.



Support d'accrochage supérieur (2x)



Couvercle de support d'accrochage supérieur (2x)



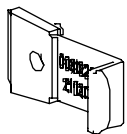
Règle de fixation supérieure (4x)



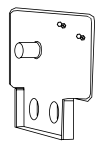
Plaquette de joint de porte* (2x)

* À utiliser uniquement lors du transport du produit. À retirer de la porte après la livraison du produit.

Raccords du produit — compris dans le produit.



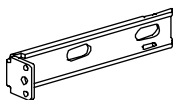
Plaque d'ajustement de position (1)



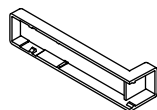
Plaque d'ajustement de dégagement (4)



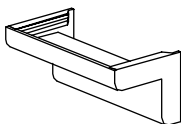
Couvercle de charnière (4)



Support de fixation d'armoires (1)



Couvercle de support de fixation d'armoires (1)

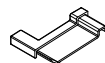


Couvercle de support de fixation inférieur (4)

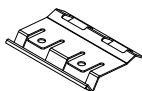
Raccords d'installation de garniture — compris dans le produit.



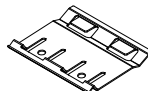
Embout de garniture gauche (2)



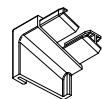
Embout de garniture droit (2)



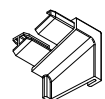
Clip de garniture supérieure (2)



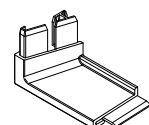
Clip de garniture latérale (8)



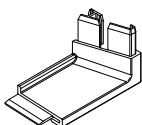
Coin supérieur gauche pour côté des charnières (1)



Coin supérieur droit pour côté des charnières (1)



Coin supérieur droit pour côté sans charnière (1)



Coin supérieur gauche pour côté sans charnière (1)

Pièces de fixation — comprises dans le produit.



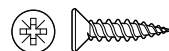
Vis de fixation d'armoires (2)



Vis de charnière (8)



Vis de fixation inférieures (4)

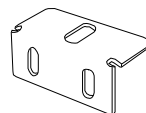


Vis à bois (52)



Bouchons de trous de charnière (8)

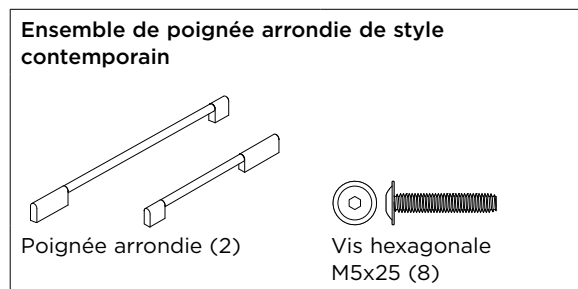
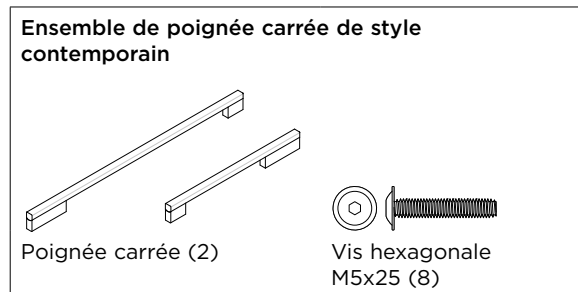
Raccords de panneau de porte (sur mesure) — compris dans le produit.



Supports de fixation inférieurs (4)

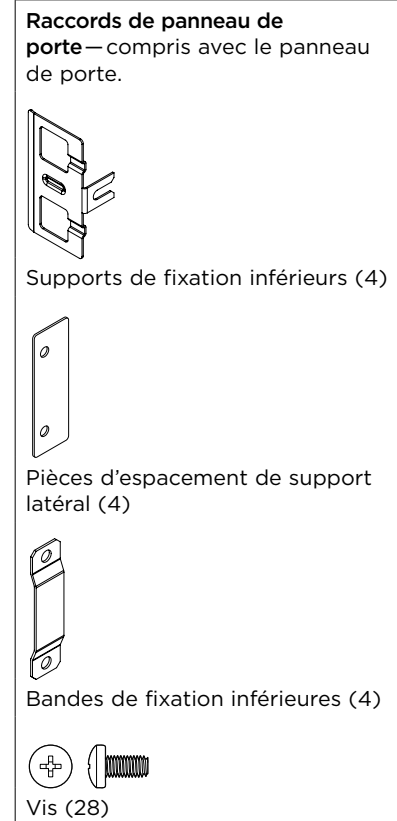
3 LISTE DES PIÈCES – PANNEAUX DE PORTES ET POIGNÉES

Ensembles de poignée de porte – non compris avec le produit; vendus séparément.

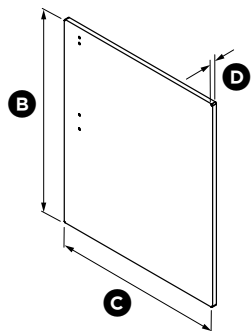
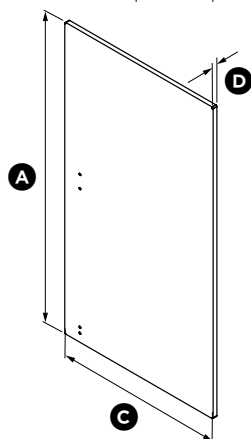


Panneaux de portes en acier inoxydable – Le panneau de porte Fisher & Paykel (en acier inoxydable) n'est pas compris avec le produit et doit être acheté séparément.

- Panneau de porte fixé à la charnière gauche (RD247OBL)
- Panneau de porte fixé à la charnière droite (RD247OBR)



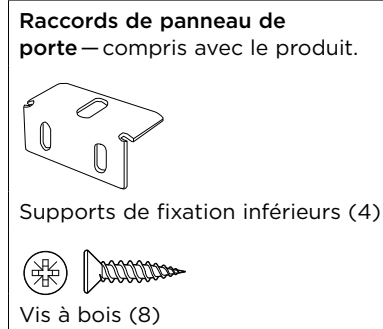
Panneau de porte supérieur



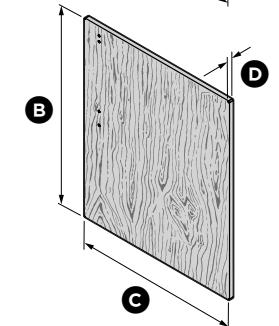
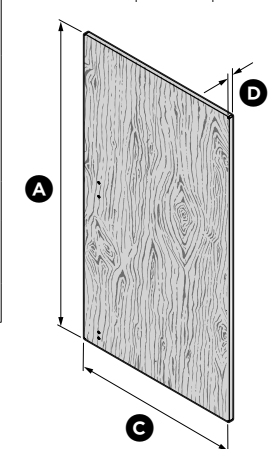
Panneau de porte inférieur

ACIER INOXYDABLE

Panneaux de portes sur mesure – Les clients peuvent fournir leur propre panneau de porte sur mesure, adapté à leurs armoires.



Panneau de porte supérieur



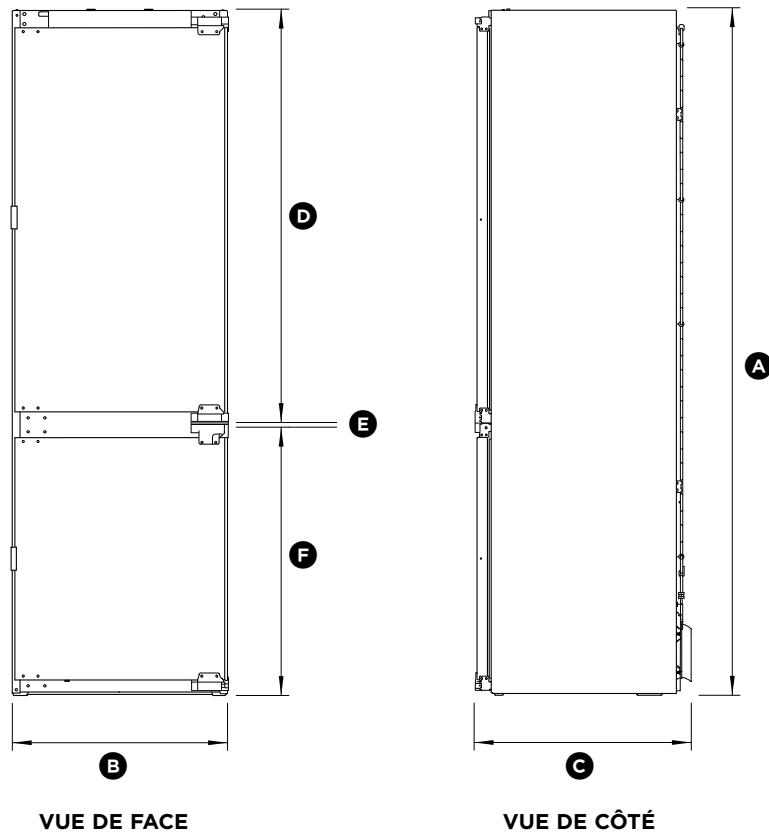
Panneau de porte inférieur

SUR MESURE*

DIMENSIONS DE PANNEAU DE PORTE	po (mm)	SUR MESURE* po (mm)
(A) Hauteur du panneau de porte supérieur	43 1/4 po (1 098)	43 1/4 po – 43 1/2 po (1 098 – 1 105)
(B) Hauteur du panneau de porte inférieur	28 3/16 po (716)	28 3/16 po (716)
(C) Largeur des panneaux de portes supérieur et inférieur	23 3/4 po (603)	23 3/8 po – 23 3/4 po (594 – 603)
(D) Profondeur de chaque panneau de porte (excluant la poignée de porte)	3/4 po (19)	min. 5/8 po – max. 3/4 po (16 – 19)
POIDS DU PANNEAU DE PORTE	lb (kg)	lb (kg)
Poids du panneau de porte supérieur	18 (8)	max. 26 (12)
Poids du panneau de porte inférieur	11 (5)	max. 26 (12)

* Les panneaux de portes sur mesure doivent être fabriqués et ajustés par un ébéniste.

4 DIMENSIONS DU PRODUIT

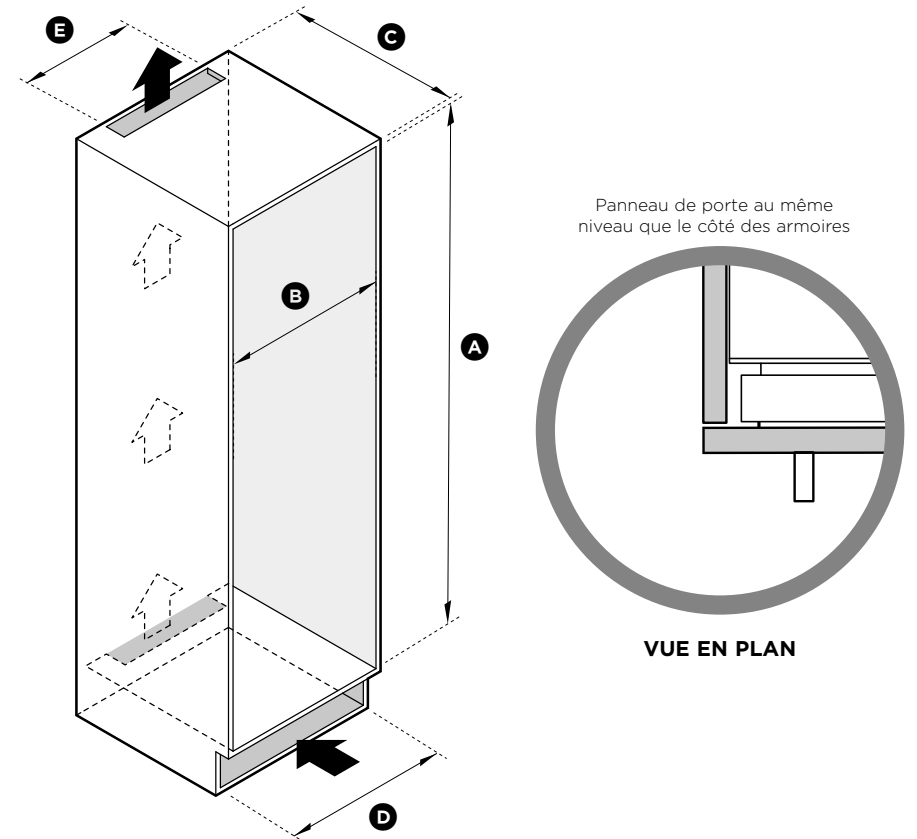


VUE DE FACE

VUE DE CÔTÉ

DIMENSIONS DU PRODUIT		po (mm)
(A)	Hauteur hors tout du produit	69 3/4 po (1 773)
(B)	Largeur hors tout du produit	21 7/8 po (555)
(C)	Profondeur hors tout du produit (excluant les panneaux de portes)	21 1/4 po (540)
(D)	Hauteur de la porte supérieure (comprenant les charnières supérieure et inférieure)	42 po (1 066)
(E)	Hauteur de l'espace entre les charnières	1/2 po (12)
(F)	Hauteur de la porte inférieure (comprenant les charnières supérieure et inférieure)	27 1/4 po (692)
CARACTÉRISTIQUES DU PRODUIT		
Poids	(comprenant l'emballage)	81 kg (179 lb)
	(sans l'emballage)	75 kg (165 lb)

5 DIMENSIONS DES ARMOIRES



VUE EN PLAN

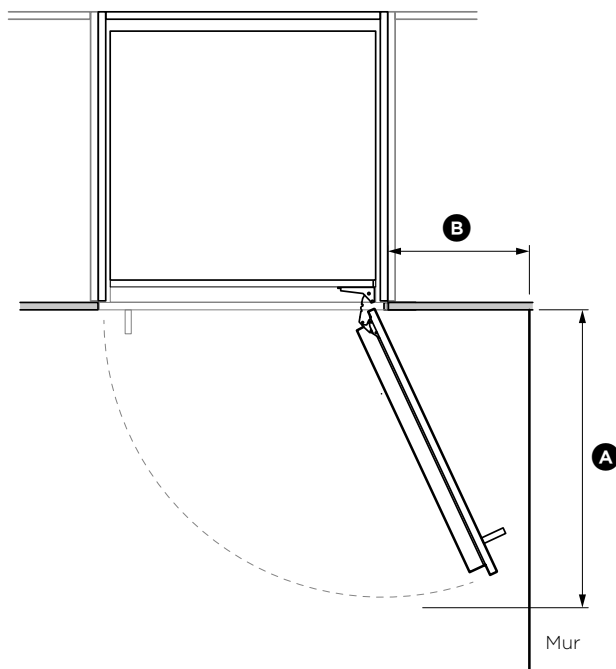
DIMENSIONS DES ARMOIRES		po (mm)
(A)	Hauteur intérieure des armoires	70 1/8 po - 70 1/4 po (1 782 - 1 786)
(B)	Largeur intérieure des armoires	22 1/4 po - 22 1/2 po (564 - 570)
(C)	Profondeur hors tout	min. 21 5/8 po (550)
DÉGAGEMENT MINIMAL		po ² (mm ²)
(D)	Zone minimale d'évent d'entrée d'air*	31 (20000)
(E)	Zone minimale d'évent de sortie d'air	43 (28000)

* Une grille en option est disponible pour une zone d'évent d'entrée d'air mesurant 17 5/8 po x 2 1/8 po (448 mm x 55 mm). Reportez-vous à 'Installation des couvercles et de la grille d'évent d'entrée d'air' pour obtenir plus d'informations.

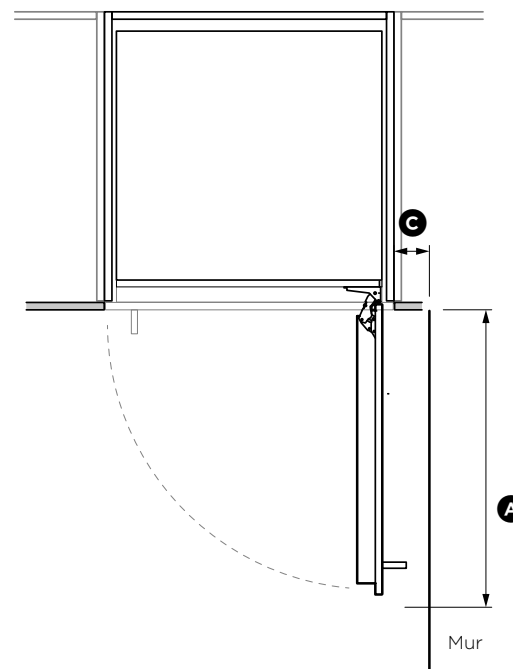
⑥ ROTATION D'OUVERTURE DE LA PORTE

MISE EN GARDE!

- Assurez-vous que le produit est stable avant d'ouvrir les portes.
- Assurez-vous de suivre ces instructions pour éviter les risques de blessures graves ou mortelles.



**OUVERTURE DE LA PORTE À 115°
(ROTATION COMPLÈTE)**



OUVERTURE DE LA PORTE À 90°

OUVERTURE DE LA PORTE ET DIMENSIONS DE DÉGAGEMENT

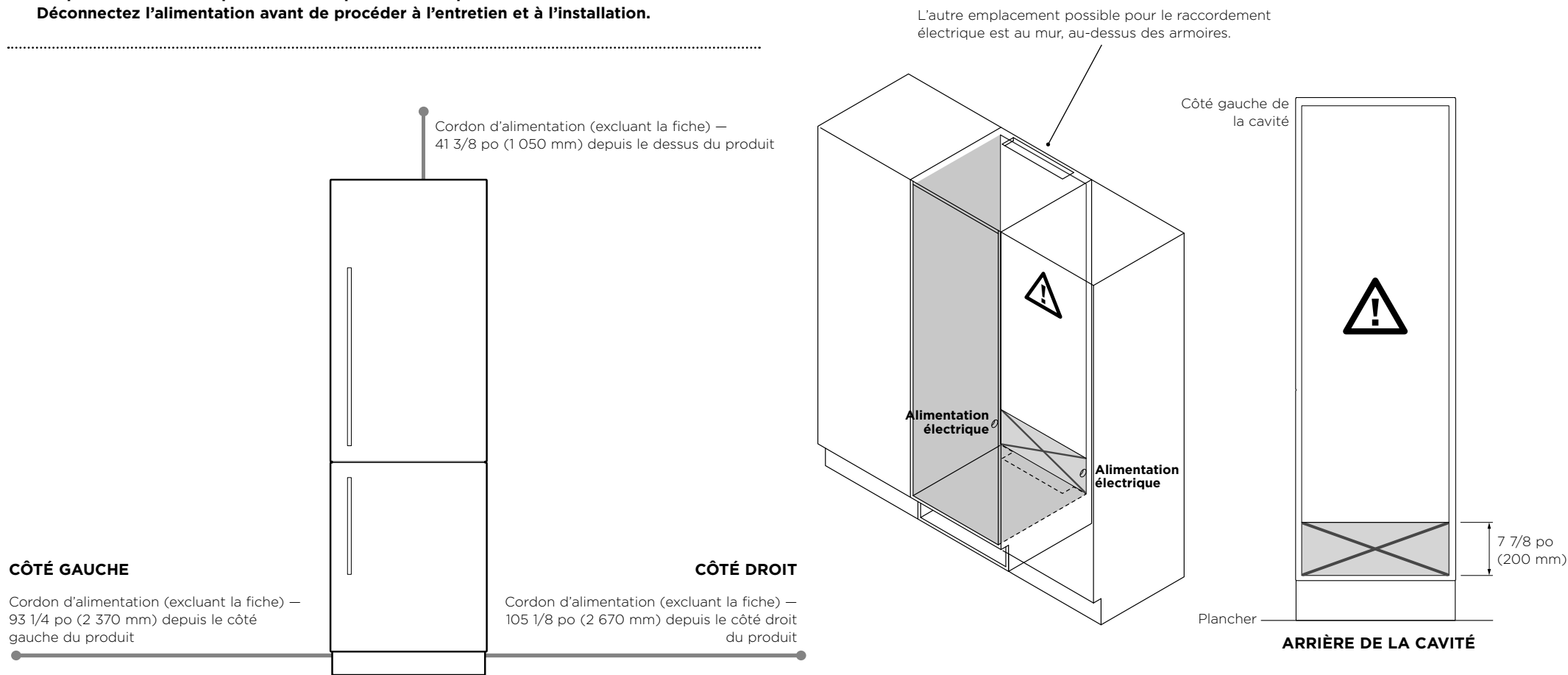
	po (mm)
Ⓐ Largeur de la porte (ouverture à 90°) mesurée à partir du devant du panneau de porte	24 po (610)
Ⓑ Dégagement minimal de la porte* par rapport au mur adjacent (115°)	11 3/4 po (300)
Ⓒ Dégagement minimal de la porte* par rapport au mur adjacent (90°)	4 po (100)

* Mesuré à partir du bord avant des armoires.

7 SPÉCIFICATIONS ÉLECTRIQUES

MISE EN GARDE!

- **Risque de choc électrique! Présumez que toutes les pièces sont sous tension. Déconnectez l'alimentation avant de procéder à l'entretien et à l'installation.**



SPÉCIFICATIONS ÉLECTRIQUES

Alimentation	120 V CA, 60 Hz
Circuit	10 ampères
Prise	Fiche à 3 broches avec mise à la terre [NEMA 5-15P]

Remarque : Le raccordement électrique peut être situé dans une armoire adjacente d'un côté ou de l'autre du réfrigérateur, ou encore au-dessus de la cavité du réfrigérateur. Nous recommandons d'utiliser un interrupteur de sectionnement auquel l'utilisateur pourra facilement accéder après l'installation du réfrigérateur.

✕ Ne placez pas de raccordement électrique dans cette zone; vous devez la garder libre de tout raccordement.

⚠ ATTENTION : la zone centrale peut servir pour les raccordements en eau et en électricité uniquement s'ils se trouvent dans une cavité encastrée.

IMPORTANT!

- **Veillez à ce que votre produit ne soit exposé à aucun produit générant de la chaleur comme une surface de cuisson, un four ou un lave-vaisselle.**
 - **Pour éviter un raccordement électrique incorrect, faites installer le produit par un installateur qualifié ou un technicien de service qualifié et autorisé de Fisher & Paykel.**
 - **Tous les raccordements d'alimentation électrique et de mise à la terre doivent être conformes aux codes et règlements locaux et être effectués par un technicien autorisé, lorsque nécessaire.**
 - **Évitez d'installer les produits sur un disjoncteur différentiel de fuite à la terre (DDFT).**
 - **Assurez-vous que le produit est installé correctement. Les défaillances du produit résultant d'une installation incorrecte ne sont pas couvertes par la garantie du produit.**
-

Vérifiez l'emplacement d'installation**Armoires**

- Vérifiez les dimensions des armoires (largeur, profondeur, hauteur, niveau du plancher, finitions de l'alcôve).
- Assurez-vous que les ouvertures de ventilation dans les armoires sont exemptes de toute obstruction.

Raccordement d'alimentation électrique

- Assurez-vous de brancher le produit à une prise électrique distincte.
- Pour prévenir les interruptions d'alimentation accidentelles du produit, évitez de partager le point d'alimentation avec d'autres produits.
- Pour connaître les caractéristiques d'alimentation requises, reportez-vous aux informations inscrites sur la plaque signalétique.
- Assurez-vous que votre produit est correctement mis à la terre.
- Raccordez votre produit à l'alimentation électrique à l'aide de la fiche et du cordon dont il est muni.
- Nous recommandons d'utiliser un interrupteur de sectionnement auquel l'utilisateur pourra facilement accéder après l'installation du produit.

Votre produit

- Assurez-vous que le modèle du produit est bien celui que vous avez commandé.
- Assurez-vous que l'emballage n'est pas endommagé à la livraison.
- Vérifiez que toutes les pièces sont présentes et tous les ensembles d'installation sont complets.

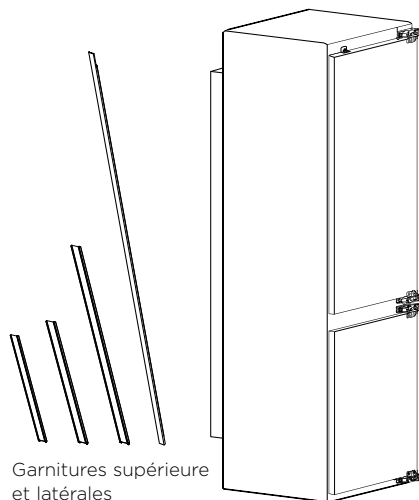
9 DÉBALLAGE ET DÉPLACEMENT DE VOTRE PRODUIT

IMPORTANT!

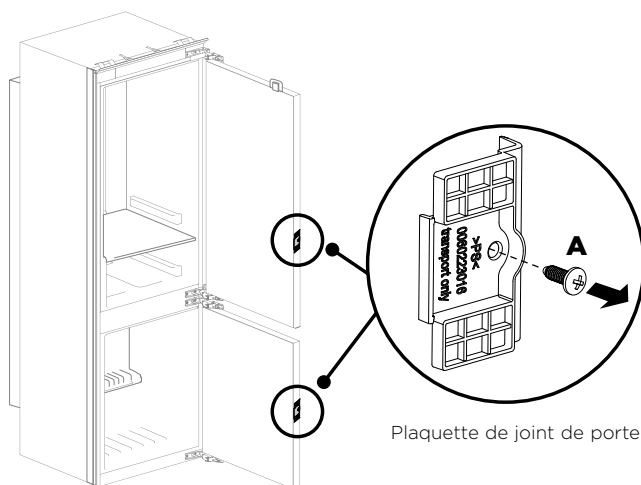
- Déballez votre produit avec soin pour éviter d'en endommager la surface.
- Assurez-vous que le produit est stable afin d'éviter tout basculement pendant le déballage.
- Pour éviter le basculement du produit, n'ouvrez pas les portes.
- Si le produit est endommagé, communiquez avec votre détaillant Fisher & Paykel.
- Notez les numéros de modèle et d'enregistrement situés dans le coin inférieur droit du produit. Vous aurez besoin de ces informations pour effectuer une demande de service ou de réparation pour votre produit.

Déballage de votre produit

- 1 Retirez la boîte et l'emballage, ainsi que l'étiquette déchirable.
- 2 Retirez les garnitures latérales fixées avec du ruban adhésif au côté du produit, ainsi que la garniture supérieure placée à l'intérieur du produit.
- 3 Retirez les sacs de pièces de l'intérieur du produit.



- 4 Retirez les plaquettes de joint des deux portes (A).
 - Conservez les plaquettes de joint de porte pour tout déplacement ultérieur du produit.

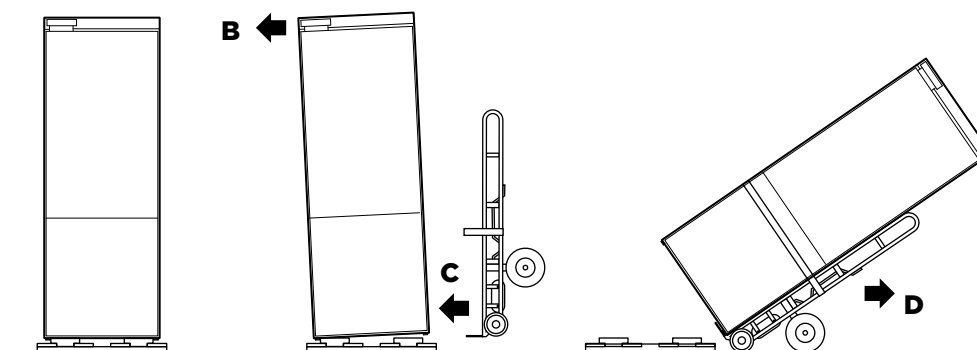


MISE EN GARDE!

- Suivez ces instructions pour éviter les risques de blessures graves ou mortelles.
- Laissez les portes fermées jusqu'à ce que le produit soit sur l'emplacement d'installation.

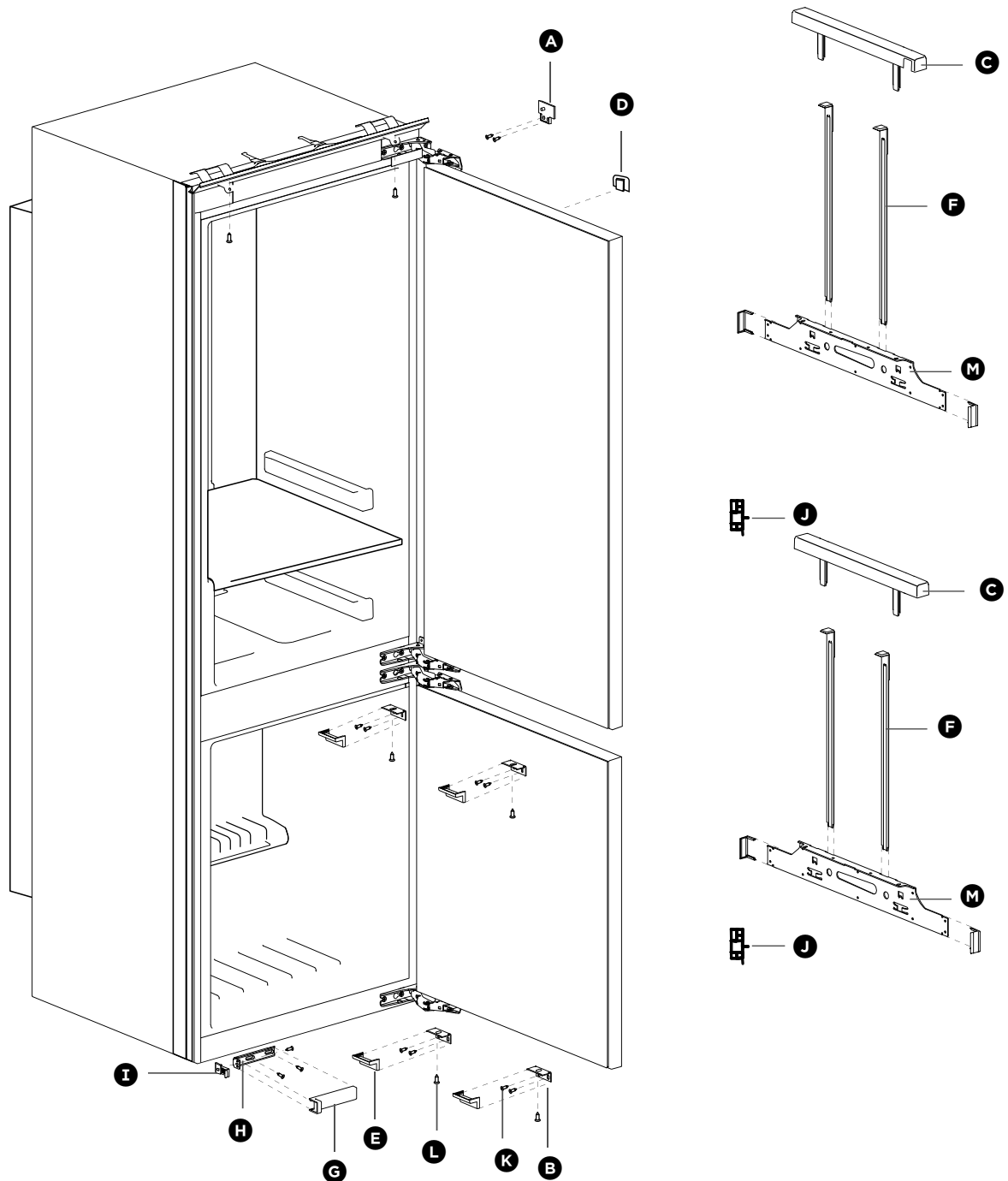
Déplacement de votre produit

- 5 Après le déballage, maintenez les portes fermées avec du ruban adhésif pour éviter l'ouverture possible pendant l'inclinaison du produit.
- 6 Inclinez légèrement le produit vers l'avant (B) et insérez un chariot à deux roues (C) entre le produit et le matériau d'emballage de la base (mousse de polystyrène).
 - **N'insérez pas le chariot par l'avant ou l'arrière du produit!**
- 7 Attachez le produit au chariot à l'aide de sangles, puis inclinez-le vers l'arrière sur le chariot (D).
- 8 Mettez le matériau d'emballage de la base de côté et poussez le produit jusqu'à l'emplacement d'installation.
 - Assurez-vous que les portes demeurent fermées jusqu'à ce que le produit soit positionné à l'intérieur des armoires.



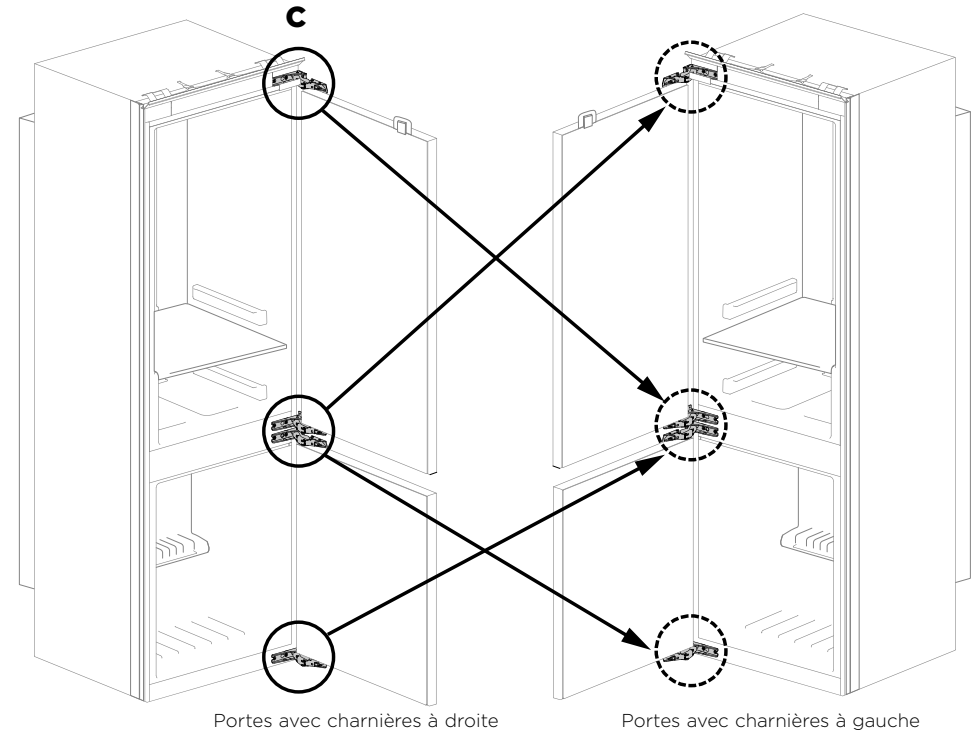
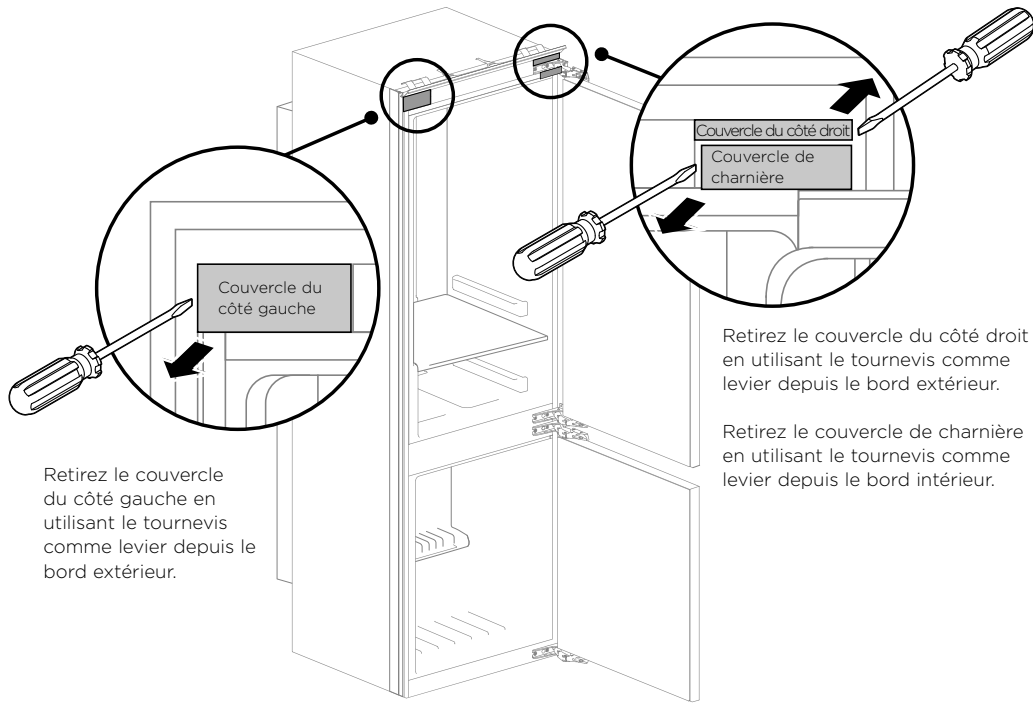
10 VUE D'ENSEMBLE DE L'INSTALLATION

- (A) Plaque d'ajustement de dégagement
- (B) Support de fixation inférieur
- (C) Couvercle de support d'accrochage
- (D) Aimant capteur
- (E) Couvercle de support de fixation inférieur (porte sur mesure uniquement)
- (F) Règle de fixation supérieure
- (G) Couvercle de support de fixation d'armoires
- (H) Support de fixation d'armoires
- (I) Plaque d'ajustement de position
- (J) Plaquette de joint de porte
- (K) Vis à bois
- (L) Vis de support de fixation inférieur
- (M) Support d'accrochage supérieur



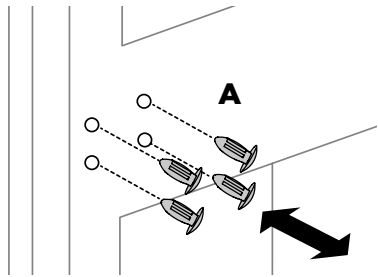
⑪ CHANGEMENT DE CÔTÉ DES CHARNIÈRES DE PORTE (ÉTAPE OPTIONNELLE)

À la livraison de ce modèle, les charnières se trouvent sur le côté droit et la porte ouvre depuis la gauche. Si nécessaire, vous pouvez déplacer les charnières sur le côté gauche pour ouvrir la porte depuis la droite.

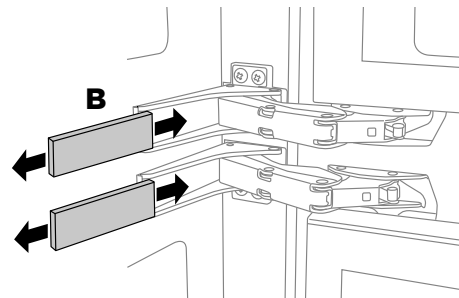


- ① Retirez les couvercles sur les côtés gauche et droit du panneau de commande en utilisant un tournevis à pointe plate.

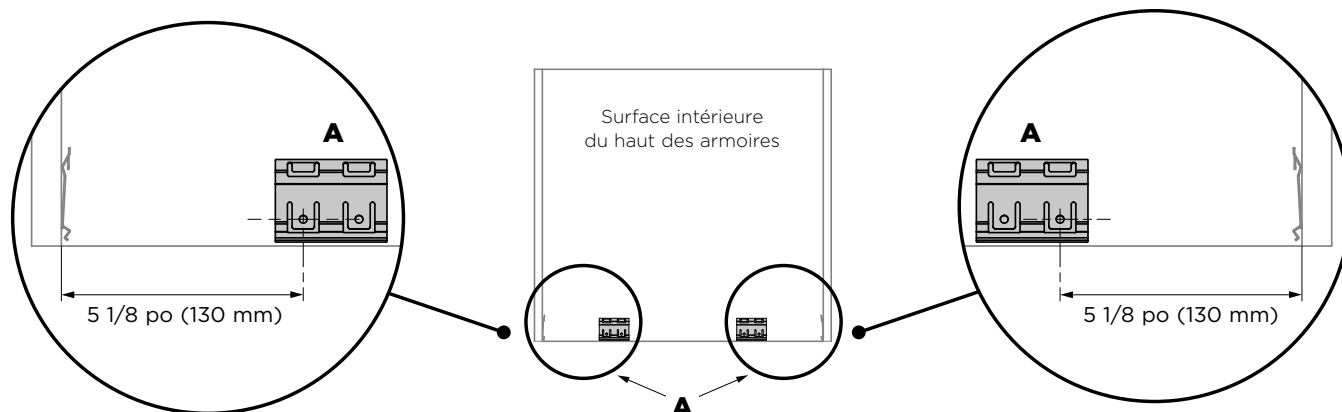
- ④ Retirez les charnières de porte (C) et réinstallez-les de l'autre côté (comme sur l'illustration ci-dessus).
- ⑤ Insérez les couvercles de charnière (B).
- ⑥ Insérez les bouchons des trous de charnière dans les trous de l'autre côté (A).



- ② Lors du changement de position des charnières, retirez les bouchons des trous de charnière (A).

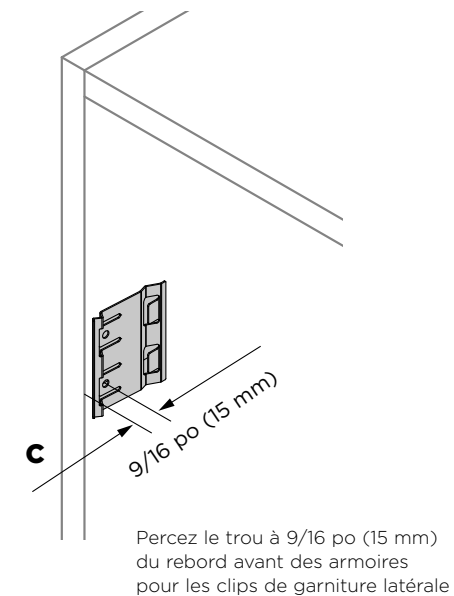
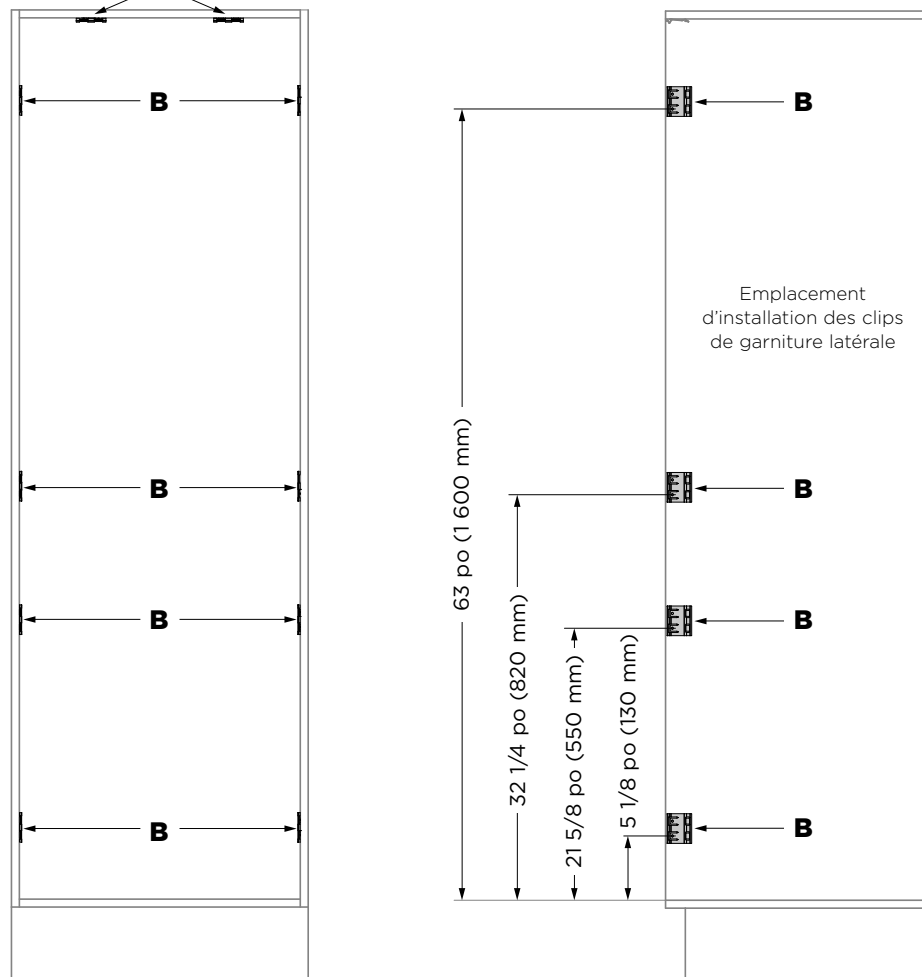


- ③ Retirez les couvercles de charnière restants (B).



Installation des clips de garniture sur les armoires

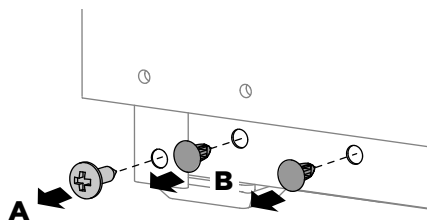
- ① Installez les clips de garniture supérieure (**A**) sur la surface intérieure supérieure des armoires avec un dégagement d'au moins 5 1/8 po (130 mm) du rebord latéral supérieur des armoires.
- ② Installez les clips de garniture latérale (**B**) sur les surfaces intérieures des côtés gauche et droit des armoires. Percez chaque trou de vis à 9/16 po (15 mm) du rebord avant de la paroi des armoires (**C**).



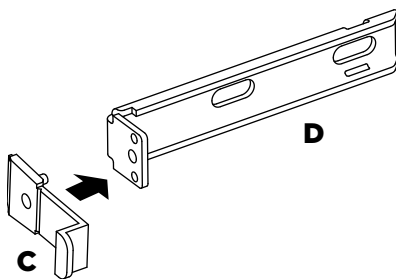
13 INSTALLATION DES SUPPORTS DE FIXATION D'ARMOIRES

Installation du support de fixation d'armoires sur le produit

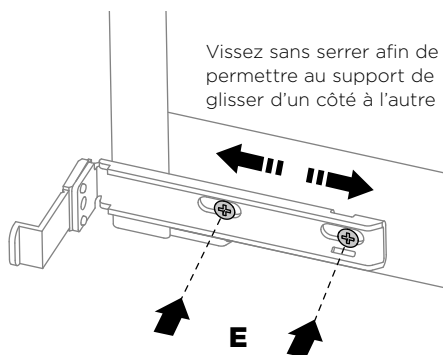
- 1 Retirez la vis/rondelle en plastique (A) et les bouchons en plastique (B) préexistants dans le coin inférieur du côté sans charnière du produit.



- 2 Fixez la plaque d'ajustement de position (C) au support de fixation d'armoires (D) en insérant les taquets de la plaque dans les trous du support.



- 3 Installez le support de fixation d'armoires dans le coin inférieur du côté sans charnière du produit en insérant les deux vis (E) dans les trous de bouchon existants.
 - Ne les serrez pas complètement afin de permettre l'ajustement.

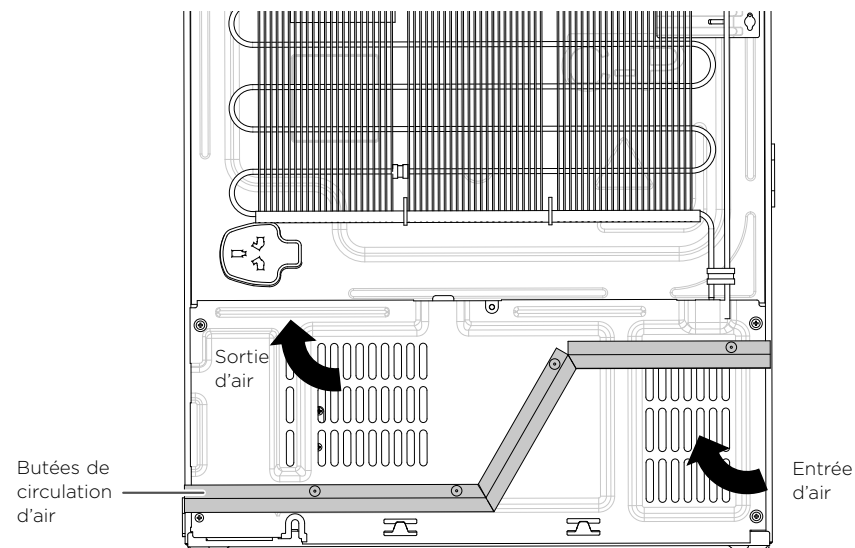


Ajustement des butées de circulation d'air

- 4 Ajustez les butées de circulation d'air situées sur le couvercle arrière du compresseur. Assurez-vous que les butées de circulation d'air soient en contact avec les armoires.

IMPORTANT!

Il est possible que les butées de circulation d'air soient aplaties pendant le transport. Si cela se produit, redéployez les butées de circulation d'air afin qu'elles rencontrent la paroi arrière des armoires pour faciliter la circulation d'air.

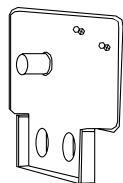


Ajustement des butées de circulation d'air

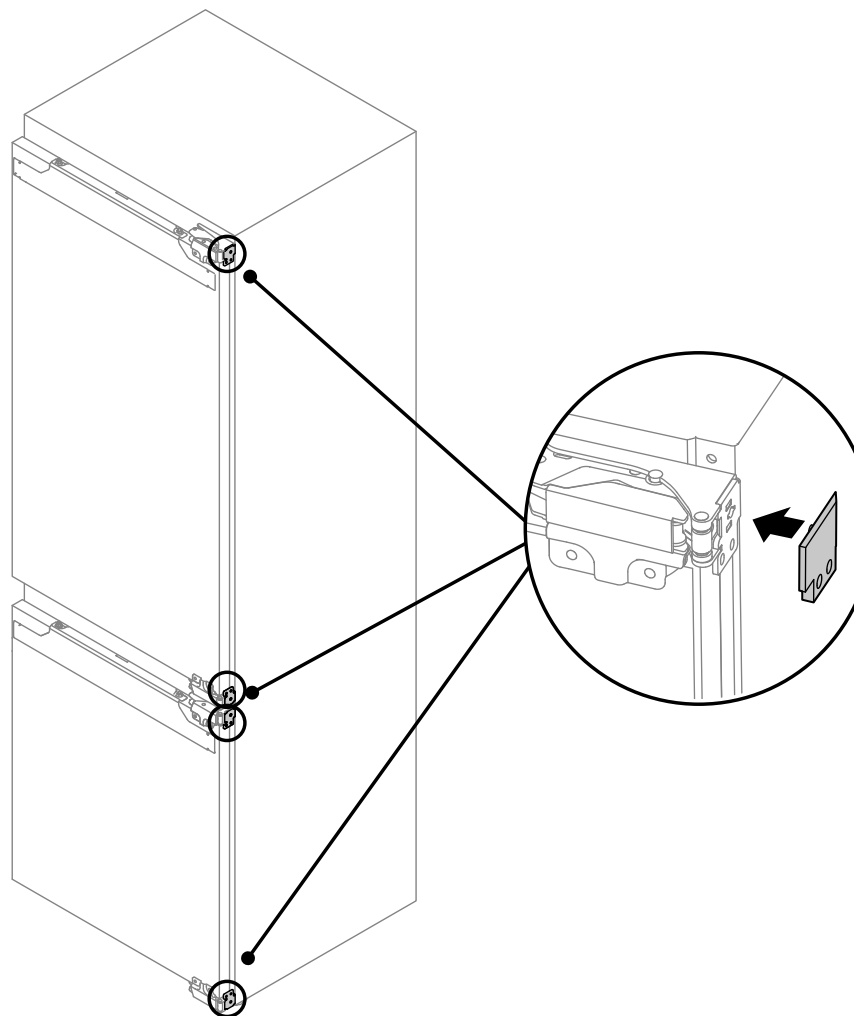
IMPORTANT!

Les plaques d'ajustement de dégagement peuvent être installées en fonction des dimensions hors tout de vos armoires (consultez le tableau pour plus d'informations).

- ① Fixez les plaques d'ajustement de dégagement aux charnières des portes de réfrigérateur et congélateur.
- Assurez-vous de fixer les plaques dans le bon sens.



Plaque d'ajustement de dégagement

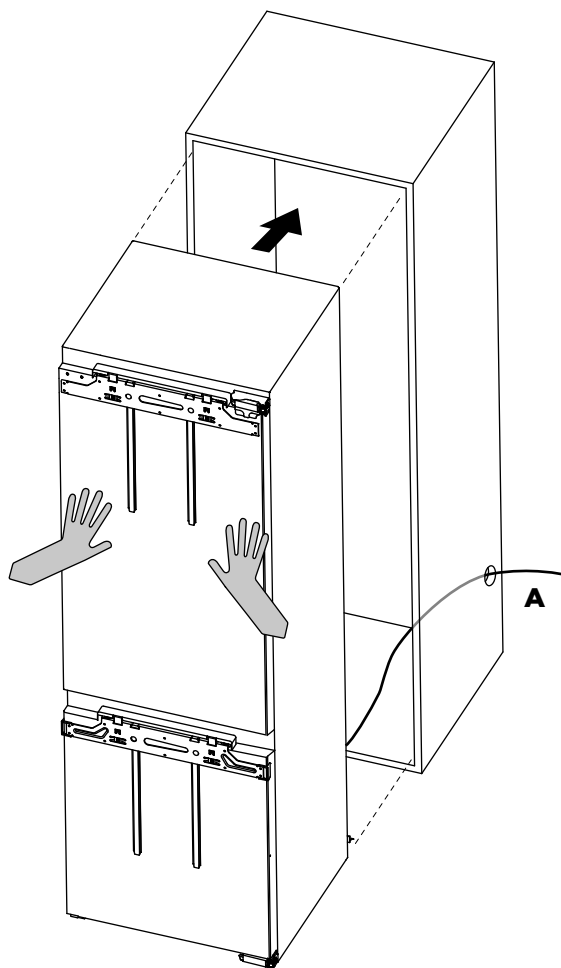


ARMOIRES	LARGEUR EXTÉRIEURE DES ARMOIRES po (mm)	LARGEUR INTÉRIEURE DES ARMOIRES po (mm)	ÉPAISSEUR DU PANNEAU LATÉRAL po (mm)	PLAQUE D'AJUSTEMENT DE DÉGAGEMENT
Modèle américain standard	24 po (609)	22 1/2 po (571,5)	3/4 po (19)	✓
Modèle européen standard	23 5/8 po (600)	22 1/4 po (564)	11/16 po (18)	✗*
		22 1/2 po (570)	5/8 po (15)	✓

* La plaque d'ajustement de dégagement n'est pas nécessaire si la largeur extérieure de vos armoires est de 23 5/8 po (600 mm) avec une largeur intérieure de 22 1/4 po (564 mm) et des panneaux latéraux de 11/16 po (18 mm).

Raccordement du produit à l'alimentation électrique

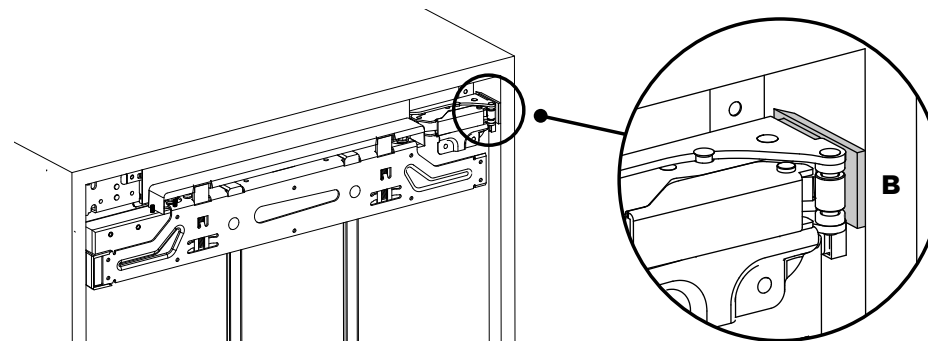
- ① Déplacez le produit devant les armoires, à une distance permettant d'accéder à l'arrière pour raccorder l'alimentation électrique.



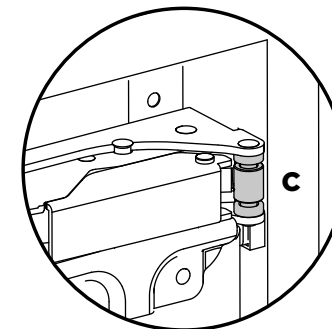
- ② Connectez le cordon d'alimentation du produit à la prise électrique (A) et mettez-le en MARCHE avant de le placer dans les armoires.
- Pour éviter de causer des dommages pouvant entraîner un risque d'incendie, assurez-vous que le cordon d'alimentation ne soit pas plié ni emmêlé.

Alignement du produit dans les armoires

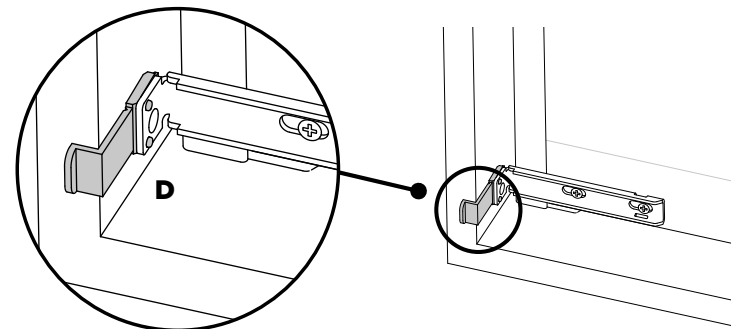
- ③ Poussez le produit complètement dans les armoires et ajustez sa position.
- Assurez-vous que le rebord avant de toutes les plaques d'ajustement de dégagement (des portes de réfrigérateur et congélateur) soit au même niveau que le rebord avant des armoires (B).



Remarque : Si vous n'utilisez pas les plaques d'ajustement de dégagement, assurez-vous que la face avant de chaque charnière de porte soit au même niveau que le rebord avant des armoires (C).

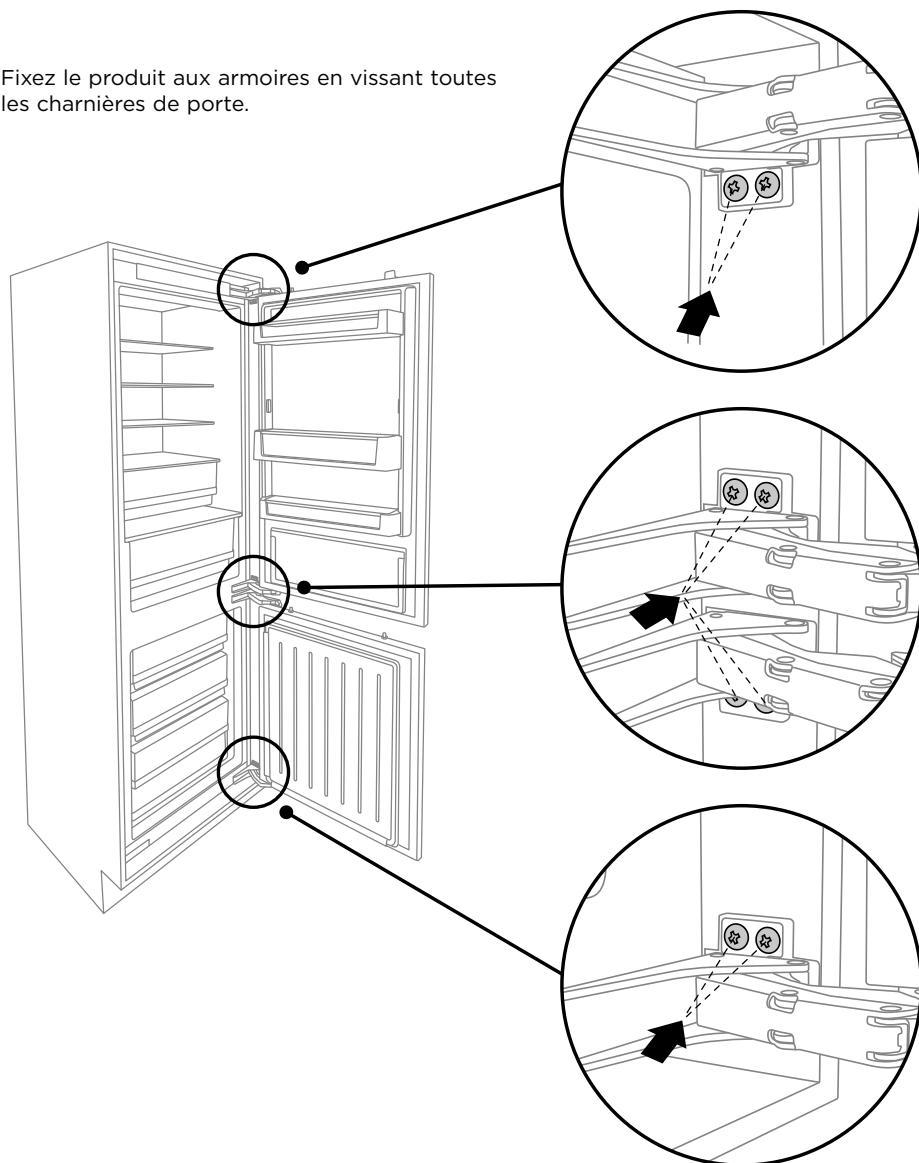


- ④ Assurez-vous que la languette avant de la plaque d'ajustement de position repose bien contre le rebord avant des armoires (D).

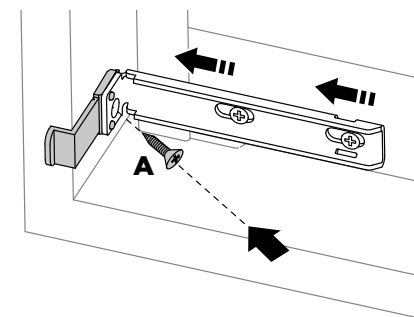


16 FIXATION DE VOTRE PRODUIT DANS LES ARMOIRES

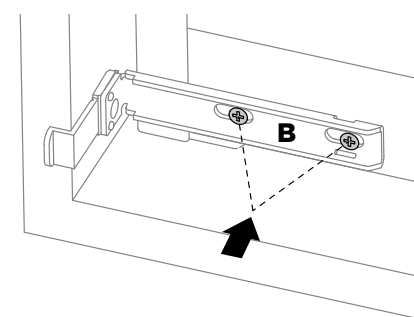
- ① Fixez le produit aux armoires en vissant toutes les charnières de porte.



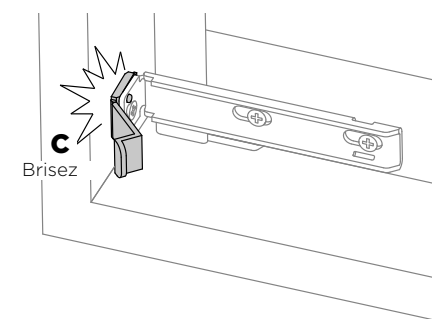
- ② Glissez le support de fixation d'armoires vers la paroi d'armoire de manière à ce que la plaque d'ajustement de position soit bien appuyée contre la paroi d'armoire, puis fixez-le à l'aide d'une vis à bois (A).



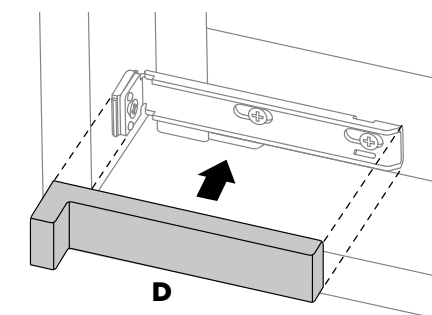
- ③ Serrez les vis du support de fixation (B).



- ④ Une fois le produit fixé dans les armoires, brisez la languette de la plaque d'ajustement de position (C).



- ⑤ Placez le couvercle de support sur le support de fixation d'armoires (D).



17 INSTALLATION DES GARNITURES

Garniture supérieure

- ① Glissez les coins supérieurs gauche et droit (**A**) dans les extrémités de la garniture supérieure (**B**).
- ② Fixez la garniture supérieure aux clips de garniture (**C**).

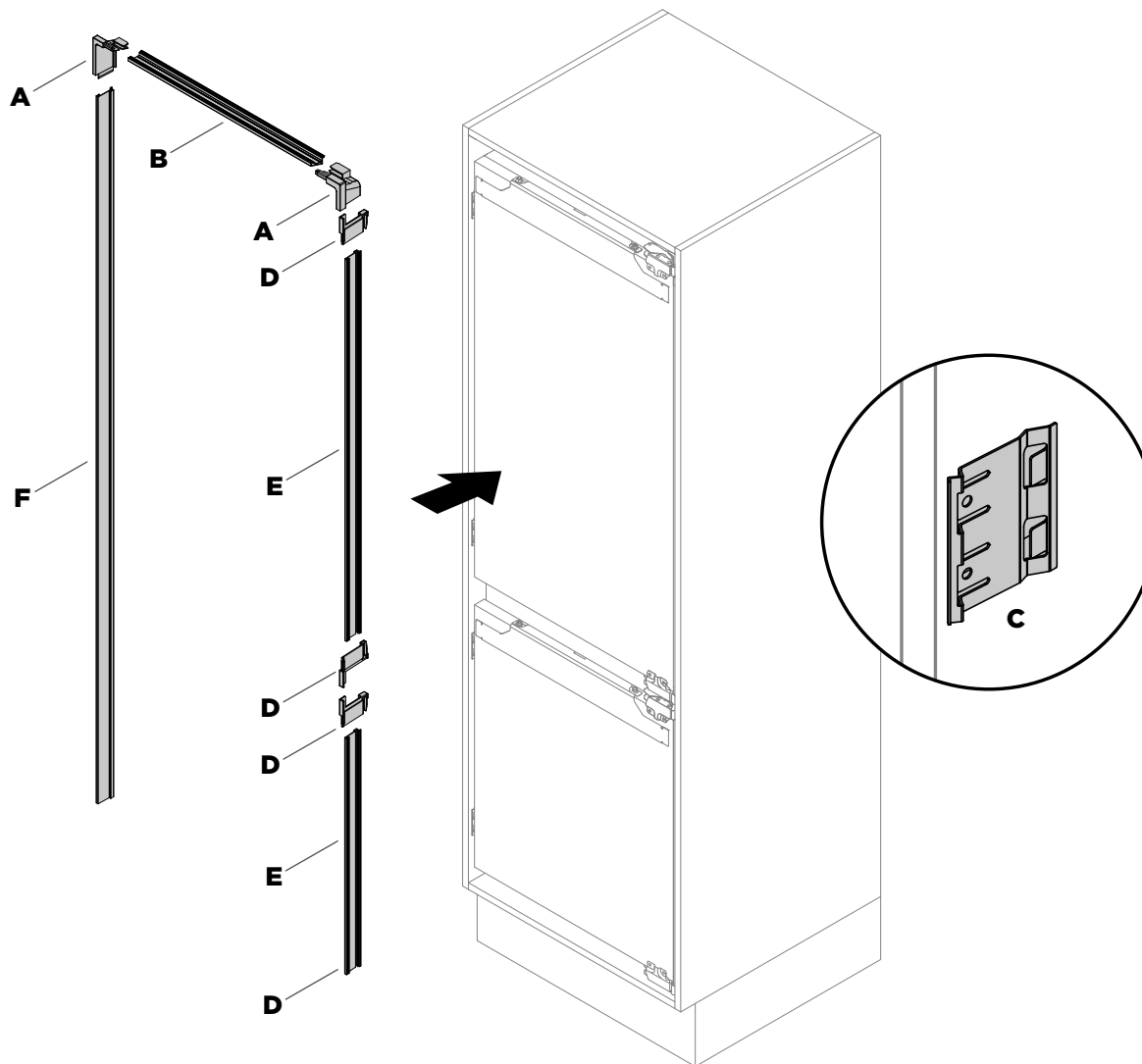
Remarque : Vous pourriez avoir à couper la garniture supérieure, selon les dimensions hors tout de vos armoires. (Consultez le tableau pour plus d'informations.)

Garnitures latérales supérieure et inférieure (côté avec charnières)

- ③ Glissez les extrémités de garniture (**D**) dans les extrémités supérieure et inférieure de chaque garniture latérale (**E**).
- ④ Fixez les garnitures latérales aux clips de garniture (**C**).

Garniture latérale (côté sans charnière)

- ⑤ Glissez l'extrémité supérieure de la garniture latérale (**F**) dans le coin supérieur gauche (**A**).
- ⑥ Fixez la garniture latérale aux clips de garniture (**C**).



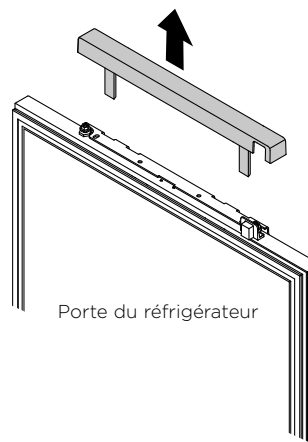
ARMOIRES	LARGEUR EXTÉRIEURE DES ARMOIRES po (mm)	LARGEUR INTÉRIEURE DES ARMOIRES po (mm)	ÉPAISSEUR DU PANNEAU LATÉRAL po (mm)	1/8 PO (4 mm) À COUPER DE LA GARNITURE SUPÉRIEURE
Modèle américain standard	24 po (609)	22 1/2 po (571,5)	3/4 po (19)	X
Modèle européen standard	23 5/8 po (600)	22 1/4 po (564)	11/16 po (18)	✓
		22 1/2 po (570)	5/8 po (15)	X

IMPORTANT!

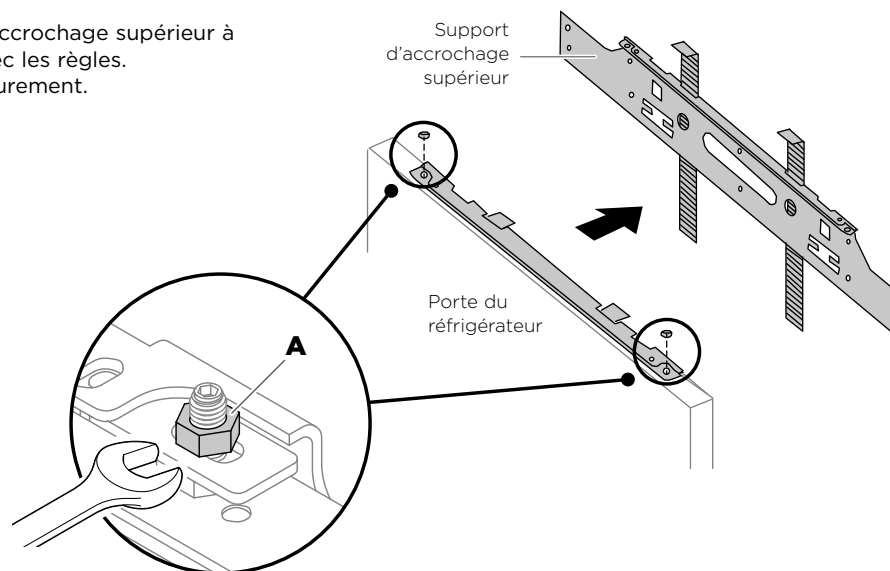
- Assurez-vous de protéger le fini des panneaux de portes en acier inoxydable de Fisher & Paykel.
- Laissez la pellicule protectrice sur les panneaux pendant l'installation et retirez-la uniquement lorsque vous terminez.

Retrait du support d'accrochage

- ① Ouvrez la porte du réfrigérateur et retirez le couvercle du support d'accrochage supérieur en le tirant vers le haut.



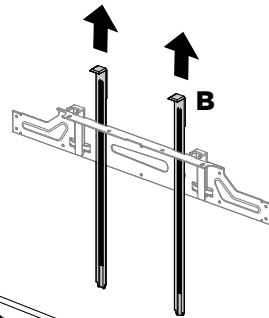
- ② Retirez les deux écrous d'ajustement latéral (A) sur le support d'accrochage supérieur à l'aide d'une clé, puis retirez le support d'accrochage supérieur avec les règles.
- Conservez le support d'accrochage pour le réinstaller ultérieurement.



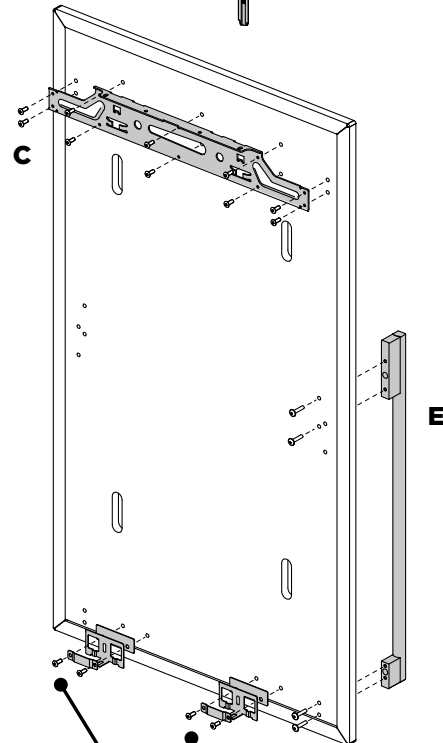
Répétez les étapes ① - ② pour la porte du congélateur.

Installation des supports d'accrochage et de fixation

- ③ Retirez les règles (B) du support d'accrochage supérieur et mettez-les au rebut.

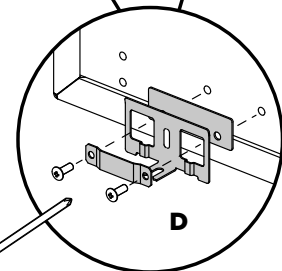


- ④ Alignez les trous de vis du support d'accrochage supérieur avec les trous de vis du panneau de porte supérieur, puis fixez le support à l'aide des vis M5x12 fournies (C).
- ⑤ Alignez les trous de vis de l'assemblage du support de fixation inférieur (Support de fixation inférieur, Pièce d'espacement de support latéral, Bande de fixation inférieure) avec les trous de vis du panneau de porte supérieur, puis fixez à l'aide des vis M5x12 (D).



Fixation de la poignée de porte

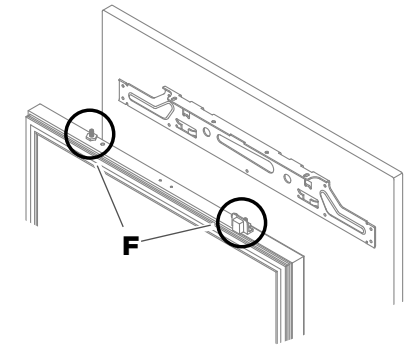
- ⑥ Retirez les bouchons en plastique des trous de poignée (4x).
- ⑦ Alignez la poignée avec les trous et fixez à l'aide de vis hexagonales M5x25 (E).



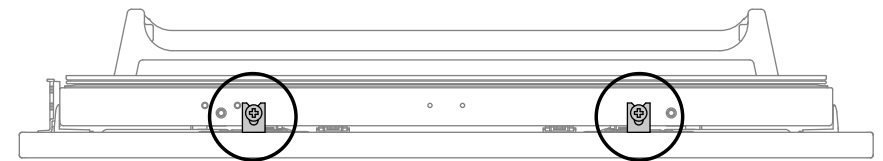
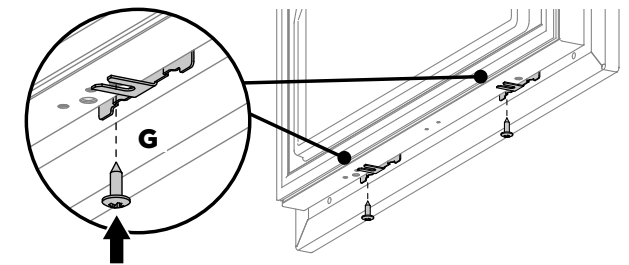
Répétez les étapes ③ - ⑦ pour le panneau de porte du congélateur.

Suspension du panneau de porte

- ⑧ Ouvrez la porte du réfrigérateur.
- ⑨ Suspendez le panneau de porte supérieur sur les écrous d'ajustement de hauteur (F) dans le haut de la porte du réfrigérateur.



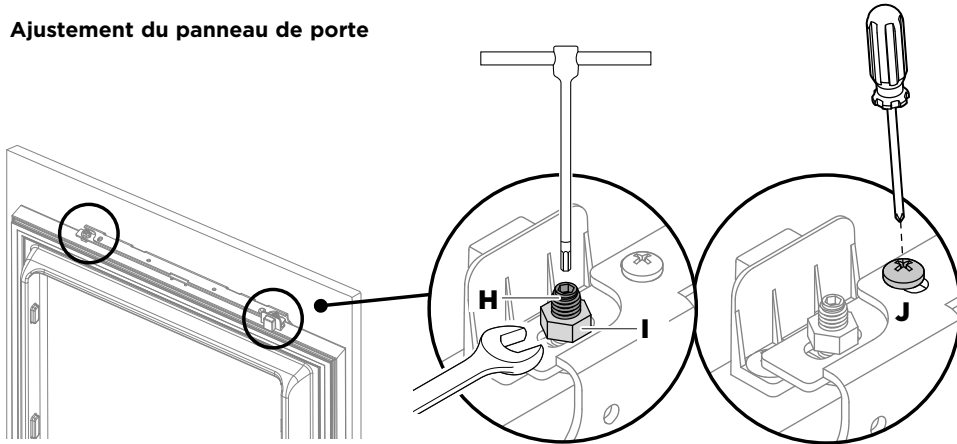
- ⑩ Alignez les supports de fixation inférieurs avec les trous de vis dans le bas du panneau de porte supérieur. Fixez à l'aide des vis de fixation inférieures (G).
- Ne les serrez pas complètement afin de permettre l'ajustement du panneau de porte supérieur.



Vue de dessous de la porte

Répétez les étapes ⑧ - ⑩ pour le panneau de porte du congélateur.

Remarque : L'aimant capteur est installé uniquement sur la porte du réfrigérateur.

Ajustement du panneau de porte**Ajustement de hauteur du panneau de porte**

- ⑪ Tournez les écrous d'ajustement de hauteur (**H**) à l'aide d'une clé hexagonale. Maintenez en place les écrous d'ajustement latéral (**I**) avec une clé pour vous assurer qu'ils ne tournent pas lorsque vous ajustez les écrous d'ajustement de hauteur.
- Nous vous recommandons d'utiliser une clé hexagonale à poignée en T afin de pouvoir facilement tourner les écrous d'ajustement de hauteur sans être gêné par l'aimant capteur.
 - S'il n'est pas possible d'ajuster les écrous d'ajustement de hauteur, vérifiez les dégagements à gauche et droite du support d'accrochage supérieur.

Ajustement latéral du panneau de porte

- ⑫ Desserrez les écrous d'ajustement latéral (**I**) et déplacez légèrement le panneau de porte latéralement pour ajuster l'alignement latéral.
- ⑬ Maintenez en place les écrous d'ajustement de hauteur (**H**) avec la clé hexagonale pour vous assurer qu'ils ne tournent pas lorsque vous desserrez les écrous d'ajustement latéral.

Ajustement de profondeur du panneau de porte

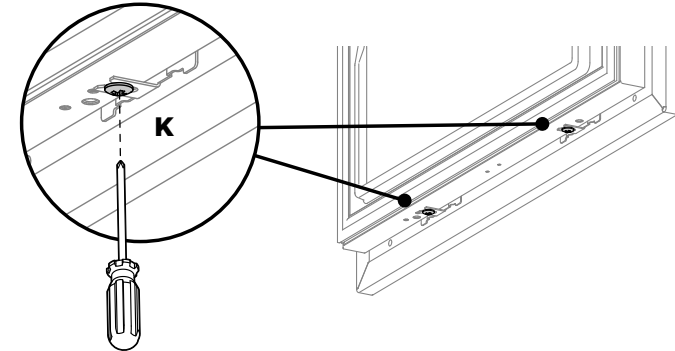
- ⑭ Desserrez les écrous d'ajustement de profondeur (**J**) et déplacez le panneau de porte vers l'avant/arrière pour ajuster la position de profondeur.
- ⑮ Une fois satisfait des ajustements, serrez complètement les écrous.

Répétez les étapes ⑪ - ⑭ pour le panneau de porte du congélateur.

Remarque : L'aimant capteur est installé uniquement sur la porte du réfrigérateur.

Fixation du panneau de porte supérieur

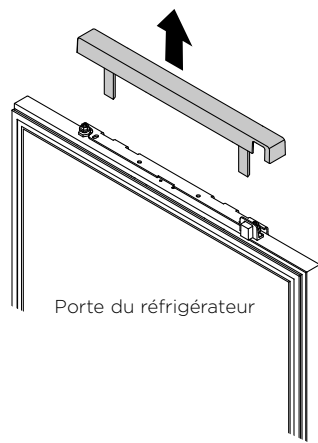
- ⑯ Une fois satisfait de l'ajustement, serrez complètement les vis des supports de fixation inférieurs (**K**) pour fixer le panneau de porte.



Répétez l'étape ⑯ pour le panneau de porte du congélateur.

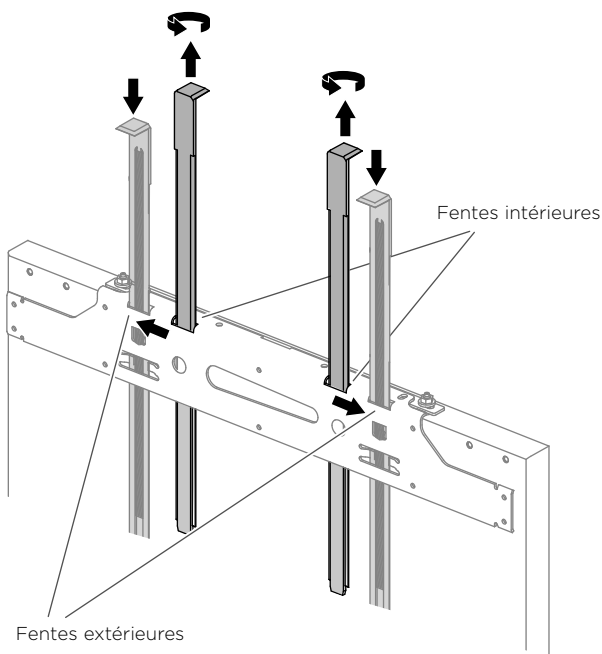
Retrait du support d'accrochage

- ① Ouvrez la porte du réfrigérateur et retirez le couvercle du support d'accrochage supérieur en le tirant vers le haut.

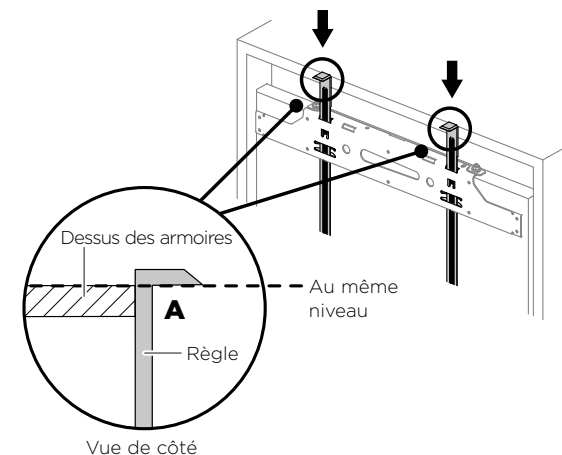


- ② Sortez les règles des **fentes intérieures** du support d'accrochage supérieur et retournez les règles.

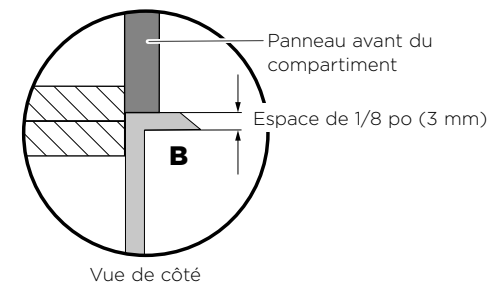
- ③ Insérez les règles dans les **fentes extérieures** du support d'accrochage supérieur, avec la partie saillante des règles vers l'extérieur.



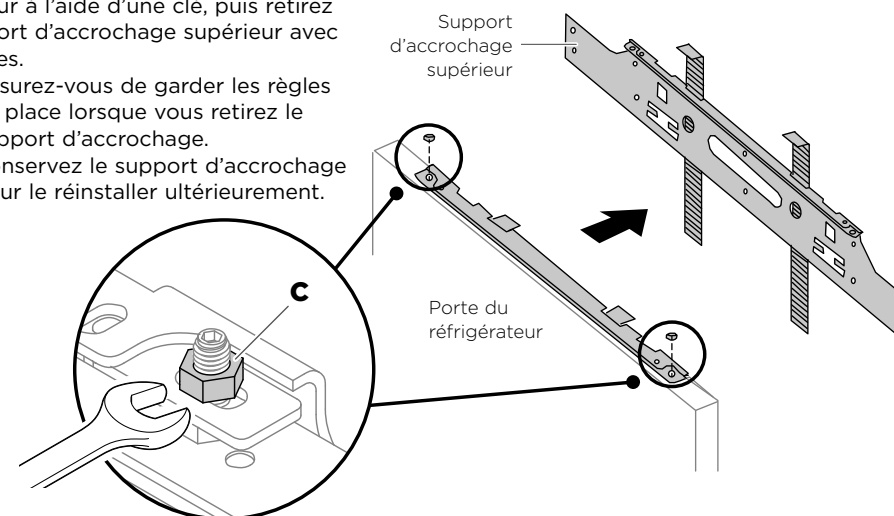
- ④ Poussez les règles vers le bas afin que le dessous de leur partie saillante soit au même niveau que le dessus des armoires (A).



- Remarque :
- Si un compartiment se trouve au-dessus des armoires, poussez les règles afin que la partie saillante de chaque règle soit en contact avec le dessous du panneau avant du compartiment (B).
 - La partie saillante permet d'obtenir un espace de 1/8 po (3 mm) entre les panneaux de porte supérieur et inférieur.

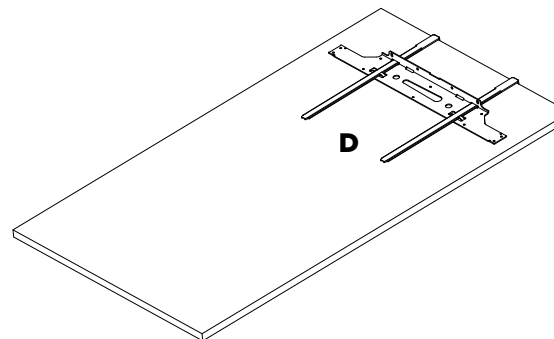


- ⑤ Retirez les deux écrous d'ajustement latéral (C) du support d'accrochage supérieur à l'aide d'une clé, puis retirez le support d'accrochage supérieur avec les règles.
- Assurez-vous de garder les règles en place lorsque vous retirez le support d'accrochage.
 - Conservez le support d'accrochage pour le réinstaller ultérieurement.

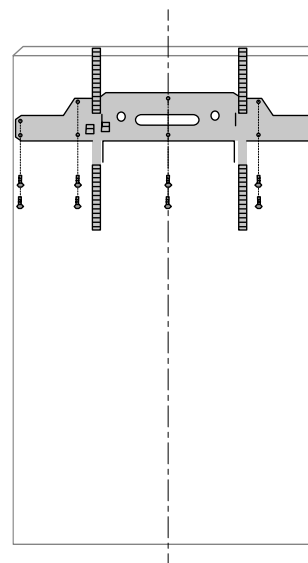


Installation des supports d'accrochage et de fixation

- ⑥ Déposez le panneau de porte supérieur sur mesure (face vers le bas) sur le plancher et placez le support d'accrochage supérieur sur le panneau de porte. Accrochez les règles dans le haut du panneau de porte (**D**).



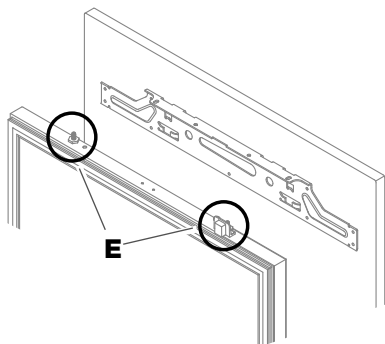
- ⑦ Alignez la ligne centrale du support d'accrochage supérieur avec le centre du panneau de porte supérieur.
- ⑧ Une fois aligné, fixez le support d'accrochage supérieur au panneau de porte supérieur à l'aide de vis à bois.
- ⑨ Retirez les règles du support d'accrochage supérieur et mettez-les au rebut.



19 INSTALLATION DU PANNEAU DE PORTE SUPÉRIEUR (SUR MESURE)

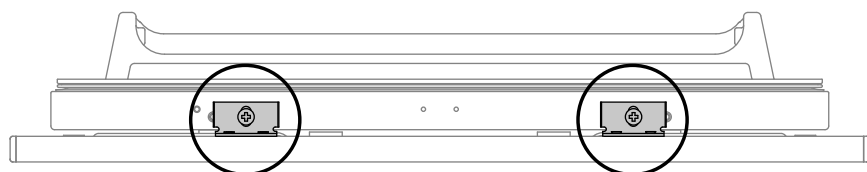
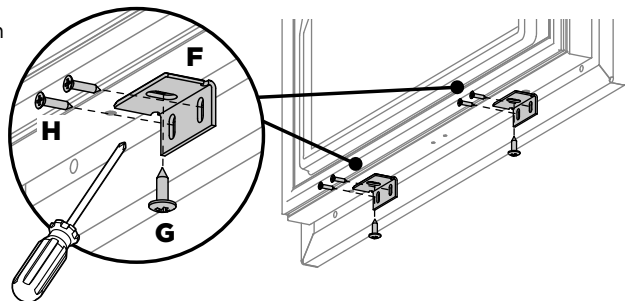
Suspension du panneau de porte

- 10 Ouvrez la porte du réfrigérateur.
 11 Suspendez le panneau de porte supérieur sur les écrous d'ajustement de hauteur (E) dans le haut de la porte du réfrigérateur.



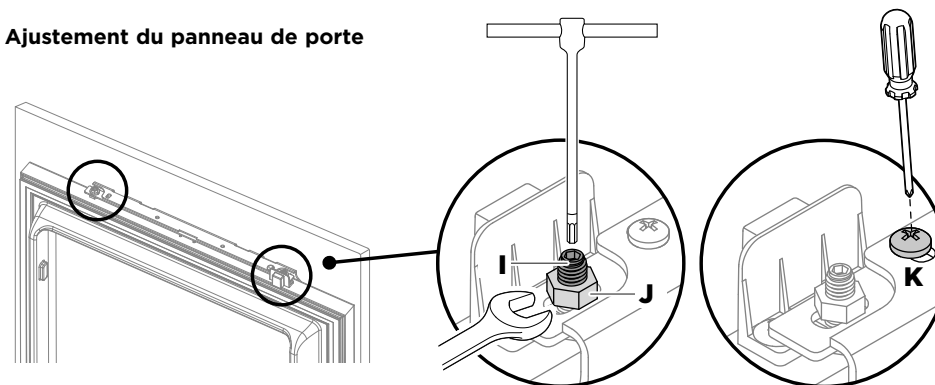
- 12 Alignez les supports de fixation inférieurs (F) avec les trous de vis dans le bas du panneau de porte supérieur. Fixez à l'aide des vis de fixation d'armoires (G) et des vis à bois (H).

- Ne les serrez pas complètement afin de permettre l'ajustement du panneau de porte supérieur.



Vue de dessous de la porte

Ajustement du panneau de porte



Ajustement de hauteur du panneau de porte

- 13 Tournez les écrous d'ajustement de hauteur (I) à l'aide d'une clé hexagonale. Maintenez les écrous d'ajustement latéral (J) avec une clé pour vous assurer qu'ils ne tournent pas lorsque vous ajustez les écrous d'ajustement de hauteur.
- Nous vous recommandons d'utiliser une clé hexagonale à poignée en T afin de pouvoir facilement tourner les écrous d'ajustement de hauteur sans être gêné par l'aimant capteur.
 - S'il n'est pas possible d'ajuster les écrous d'ajustement de hauteur, vérifiez les dégagements à gauche et droite du support d'accrochage supérieur.

Ajustement latéral du panneau de porte

- 14 Desserrez les écrous d'ajustement latéral (J) et déplacez légèrement le panneau de porte latéralement pour ajuster l'alignement latéral.
- Maintenez les écrous d'ajustement de hauteur (I) avec la clé hexagonale pour vous assurer qu'ils ne tournent pas lorsque vous desserrez les écrous d'ajustement latéral.

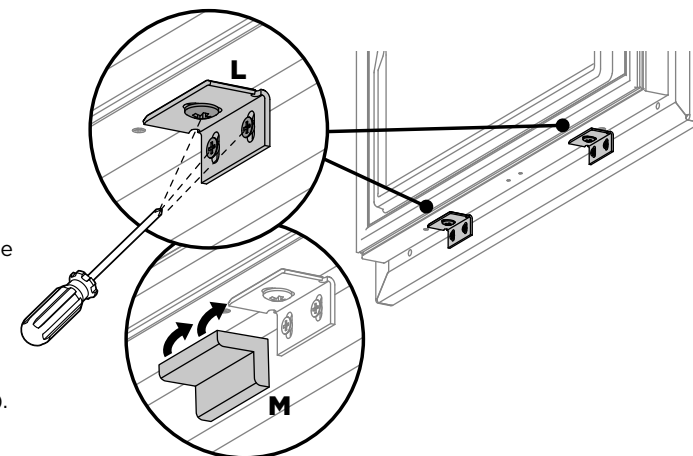
Ajustement de profondeur du panneau de porte

- 15 Desserrez les écrous d'ajustement de profondeur (K) et déplacez le panneau de porte vers l'avant/arrière pour ajuster la position de profondeur.
- 16 Une fois satisfait des ajustements, serrez complètement les écrous.

Fixation du panneau de porte supérieur

- 17 Une fois satisfait de l'ajustement, serrez complètement les vis des supports de fixation inférieurs (L) pour fixer le panneau de porte.

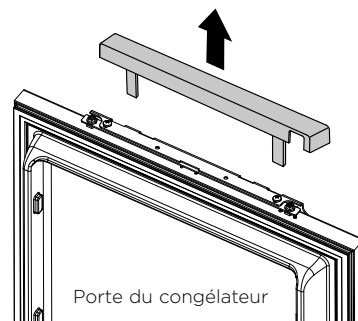
- 18 Placez les couvercles de support sur les supports de fixation inférieurs (M).



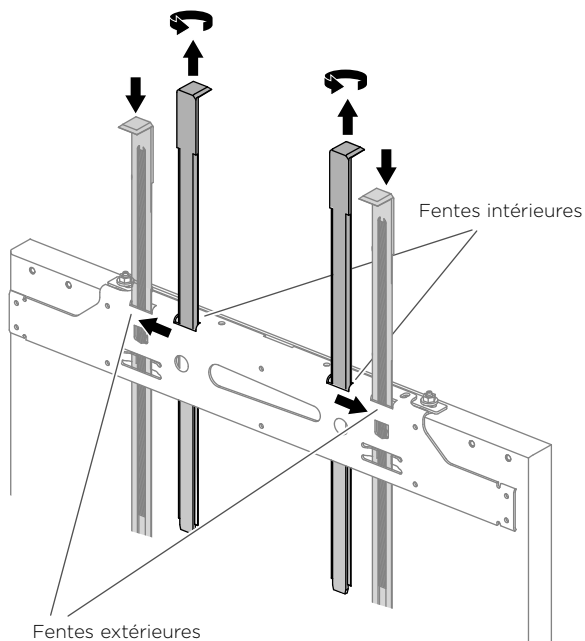
20 INSTALLATION DU PANNEAU DE PORTE INFÉRIEUR (SUR MESURE)

Retrait des supports d'accrochage

- ① Ouvrez la porte du congélateur et retirez le couvercle du support d'accrochage supérieur en le tirant vers le haut.

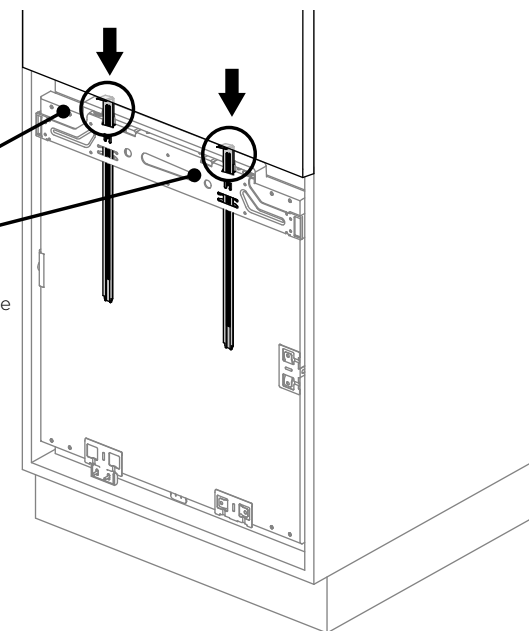
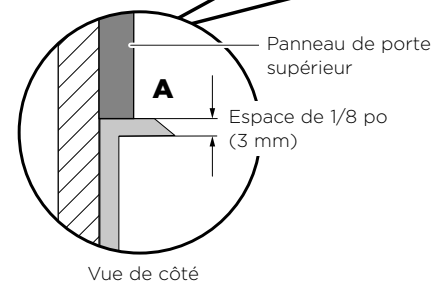


- ② Sortez les règles des **fentes intérieures** du support d'accrochage supérieur et retournez les règles.

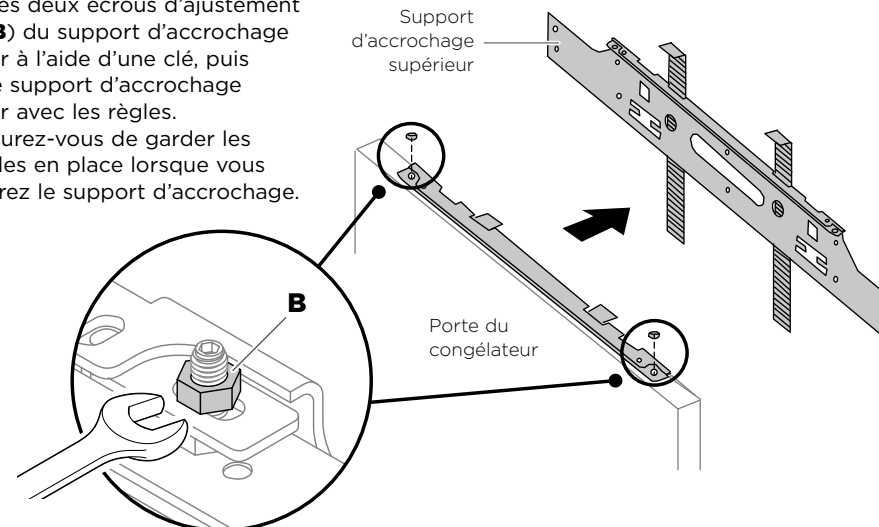


- ③ Insérez les règles dans les **fentes extérieures** du support d'accrochage supérieur, avec la partie saillante des règles vers l'extérieur.

- ④ Poussez les règles vers le bas et fermez la porte du congélateur. Ajustez les règles afin que le haut de la partie saillante de chaque règle soit en contact avec le bas du panneau de porte supérieur. (A).

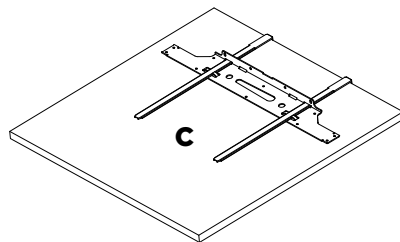


- ⑤ Ouvrez la porte du congélateur. Retirez les deux écrous d'ajustement latéral (B) du support d'accrochage supérieur à l'aide d'une clé, puis retirez le support d'accrochage supérieur avec les règles.
- Assurez-vous de garder les règles en place lorsque vous retirez le support d'accrochage.

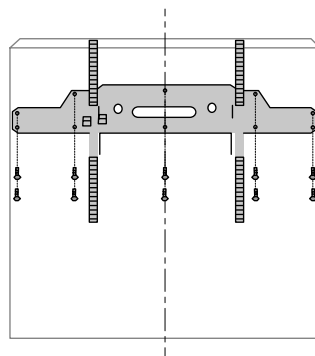


Installation des supports d'accrochage et de fixation

- ⑥ Déposez le panneau de porte inférieur sur mesure (face vers le bas) sur le plancher et placez le support d'accrochage supérieur sur le panneau de porte. Accrochez les règles dans le haut du panneau de porte (**C**).

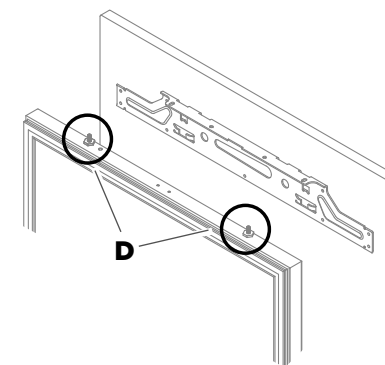


- ⑦ Alignez la ligne centrale du support d'accrochage supérieur avec le centre du panneau de porte inférieur.
 ⑧ Une fois aligné, fixez le support d'accrochage supérieur au panneau de porte inférieur à l'aide de vis à bois.
 ⑨ Retirez les règles du support d'accrochage supérieur et mettez-les au rebut.

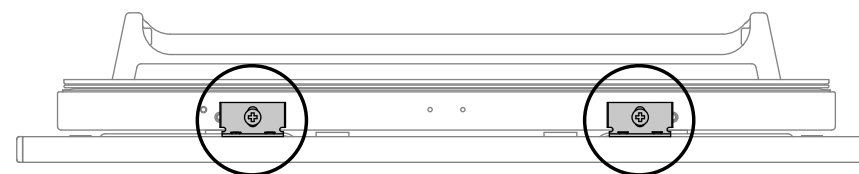
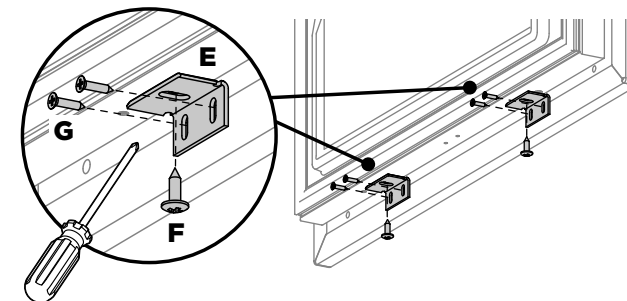


Suspension du panneau de porte

- ⑩ Ouvrez la porte du congélateur.
 ⑪ Suspendez le panneau de porte inférieur sur les écrous d'ajustement de hauteur (**D**) dans le haut de la porte du congélateur.

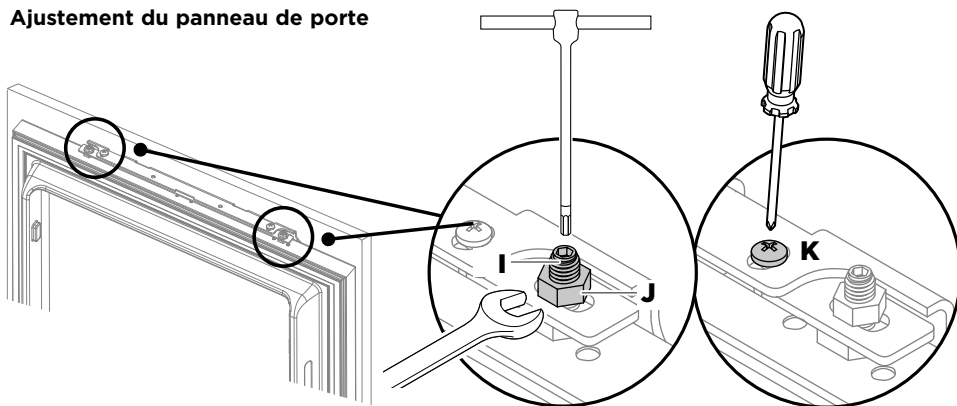


- ⑫ Alignez les supports de fixation inférieurs (**E**) avec les trous de vis dans le bas du panneau de porte inférieur. Fixez à l'aide des vis de fixation d'armoires (**F**) et des vis à bois (**G**).
 - Ne les serrez pas complètement afin de permettre l'ajustement du panneau de porte inférieur.



Vue de dessous de la porte

Ajustement du panneau de porte



Ajustement de hauteur du panneau de porte

- 13 Tournez les écrous d'ajustement de hauteur (I) à l'aide d'une clé hexagonale. Maintenez les écrous d'ajustement latéral (J) avec une clé pour vous assurer qu'ils ne tournent pas lorsque vous ajustez les écrous d'ajustement de hauteur.
- S'il n'est pas possible d'ajuster les écrous d'ajustement de hauteur, vérifiez les dégagements à gauche et droite du support d'accrochage inférieur.

Ajustement latéral du panneau de porte

- 14 Desserrez les écrous d'ajustement latéral (J) et déplacez légèrement le panneau de porte latéralement pour ajuster l'alignement latéral.
- 15 Maintenez les écrous d'ajustement de hauteur (I) avec la clé hexagonale pour vous assurer qu'ils ne tournent pas lorsque vous desserrez les écrous d'ajustement latéral.

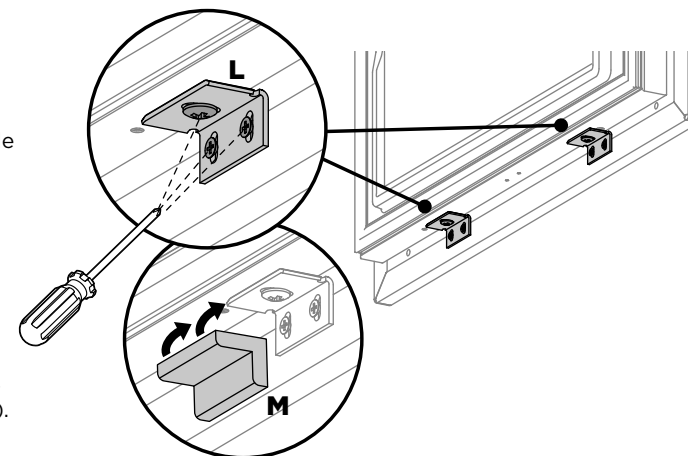
Ajustement de profondeur du panneau de porte

- 16 Desserrez les écrous d'ajustement de profondeur (K) et déplacez le panneau de porte vers l'avant/arrière pour ajuster la position de profondeur.
- 17 Une fois satisfait des ajustements, serrez complètement les écrous.

Fixation du panneau de porte inférieur

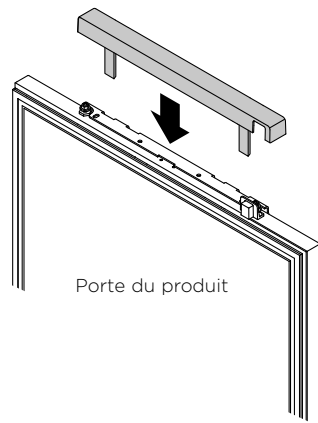
- 18 Une fois satisfait de l'ajustement, serrez complètement les vis des supports de fixation inférieurs (L) pour fixer le panneau de porte.

- 19 Placez les couvercles de support sur les supports de fixation inférieurs (M).

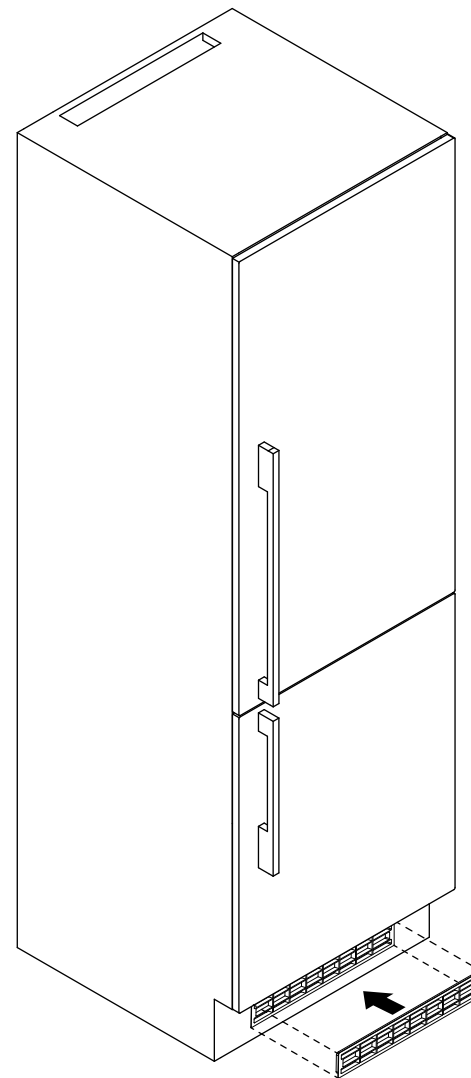


Réinstallation des couvercles de support d'accrochage

- ① Réinsérez les couvercles de support d'accrochage sur les supports d'accrochage supérieurs.

**Installation de la grille d'évent d'entrée d'air (en option)**

- ② Installez la grille sur l'évent d'entrée d'air dans la section de la plinthe des armoires.
- La grille est un accessoire disponible en option.



✓ À ÊTRE REMPLIE PAR L'INSTALLATEUR

Tous les modèles

- Vérifiez que toutes les pièces sont installées.
- Assurez-vous que le produit est de niveau.
- Assurez-vous que le produit est fixé solidement aux armoires à l'aide des raccords fournis.
- Assurez-vous que les portes peuvent s'ouvrir et se fermer facilement, sans aucune résistance causée par les armoires à proximité.
- Assurez-vous de retirer tous les matériaux d'emballage internes et externes du produit avant l'utilisation.

Remplir et conserver pour référence ultérieure :

Modèle _____

N° de série _____

Date d'achat _____

Acheteur _____

Adresse du détaillant _____

Nom de l'installateur _____

Signature de l'installateur _____

Entreprise d'installation _____

Date de l'installation _____

FISHERPAYKEL.COM

© Fisher & Paykel Appliances 2018. Tous droits réservés.
Les caractéristiques de produit présentées dans ce livret s'appliquent aux modèles et produits spécifiques qui y sont décrits à la date de publication. Dans le cadre de notre politique d'amélioration en permanence de nos produits, ces caractéristiques peuvent être modifiées à tout moment. Nous vous recommandons de vérifier auprès de votre détaillant que ce livret décrit le produit actuellement disponible.