

## FAUCET DESCRIPTION

- Chrome plated brass construction
- 1/2" IPS adapters
- Supplied with vandal resistant screws

## OPERATION

- Lever style handle with hot and cold color indicators
- Lift-on/Push-off
- Temperature controlled by 180° arc of handle travel

## FLOW

- 2.0 MAX. gpm (7.6 L/min) aerator

## CARTRIDGE

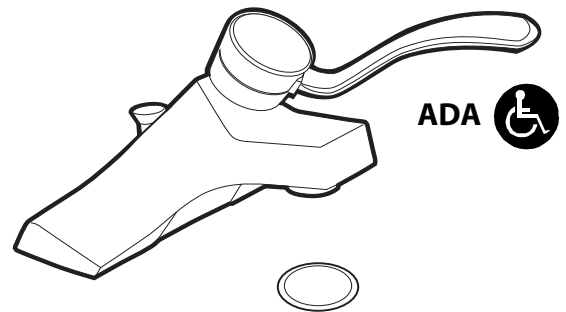
- 1225 cartridge design
- Nonmetallic/nonferrous and stainless steel material

## STANDARDS

- Third party certified by IAPMO and CSA to meet ASME A112.18.1M and all applicable specifications referenced therein

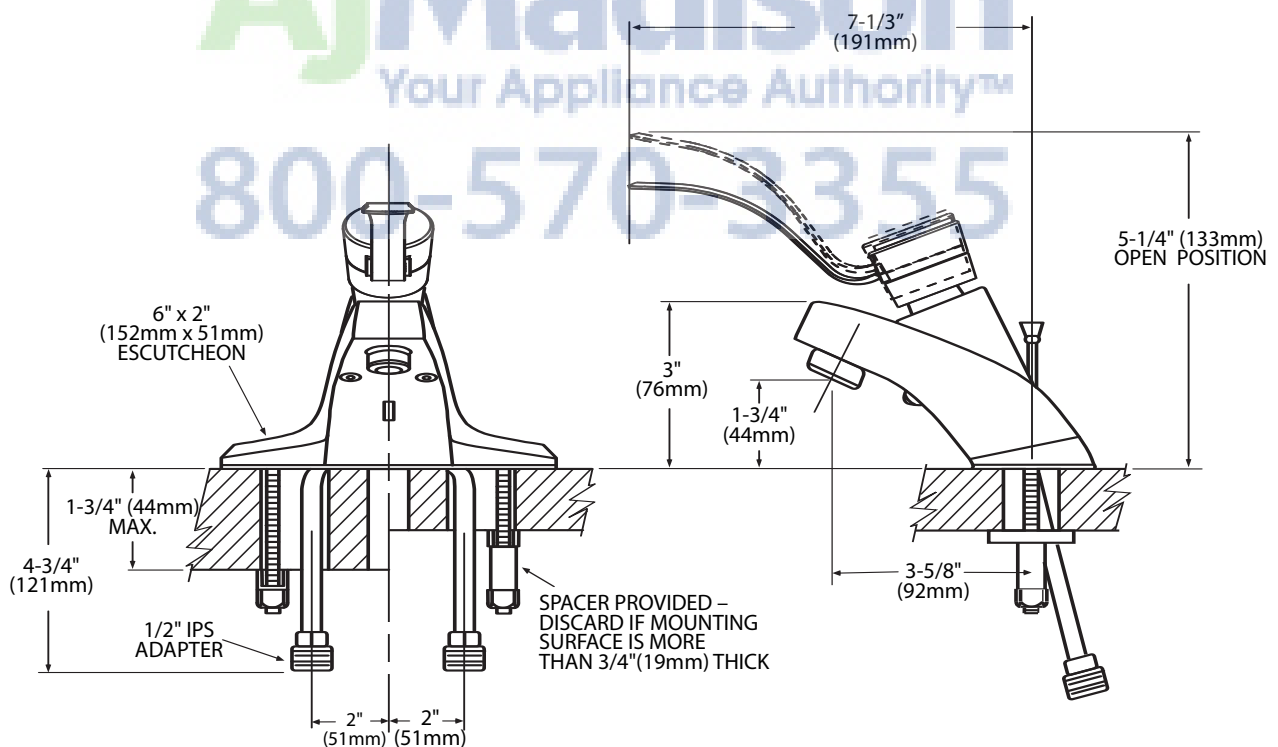
## WARRANTY

- Warranted for 5 years against material or manufacturing defects



**Single-Handle Lavatory Faucet  
w/Pop-Up Waste  
Model: 8455 (Chrome)**

**NOTE:** DESIGNED TO BE INSTALLED  
THROUGH 3 HOLES 1" MIN. DIA. 2" ON CENTER



## CRITICAL DIMENSIONS

(DO NOT SCALE)