

Installation instructions

IZONA CoolDrawer

RB36S & RB90S models

Fisher & Paykel
innovative living

FRAMED CABINETRY

Important!

SAVE THESE INSTRUCTIONS

The models shown in this document may not be available in all markets and are subject to change at any time. For current details about model and specification availability in your country, please go to our website www.fisherpaykel.com or contact your local Fisher & Paykel dealer.

① SAFETY AND WARNINGS

⚠ WARNING!



Electrical shock hazard

Disconnect product from main power supply before installing appliance.

Failure to do so may result in electrical shock or death

⚠ WARNING!



Cut hazard

Take care - panel edges are sharp.

Failure to use caution could result in injury or cuts.

⚠ WARNING!



Tipping hazard

Do not operate this appliance until it has been securely anchored inside the cabinetry. The cabinet must be securely anchored to the floor.

Failure to use caution could result in injury or cuts.

- The CoolDrawer **MUST** be installed to allow for future removal from the enclosure if service is required. Do not seal the CoolDrawer into the cabinetry with silicone or glue. Doing so will make future servicing difficult. Fisher & Paykel will not be liable for any costs associated with removing or replacing a sealed-in product, nor for repairing any damage that may be incurred by doing this.
- Care should be taken when the appliance is installed or removed to reduce the likelihood of damage to the power supply cord.
- Failure to install the CoolDrawer correctly will invalidate any warranty or liability claims.
- If the power supply cord is damaged, it must be replaced. Parts are available from your Authorised Fisher & Paykel dealer.
- Cabinetry must be sufficiently robust to support a combined product and food load of 220 lb (100 kg). Bearers may be required to support the internal shelf.

Before you install the CoolDrawer, please make sure that

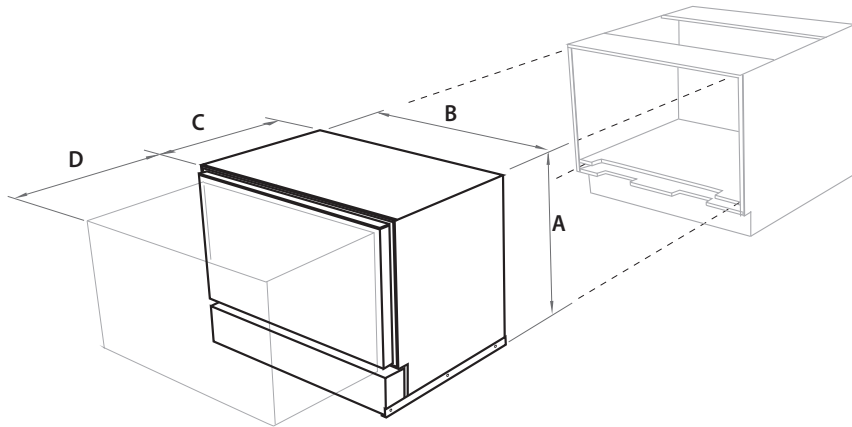
- The switched power outlet must be outside the refrigerator drawer cavity so that it is accessible after installation.
- The switched power outlet must be located outside the cavity, within 55" (1400 mm) from the CoolDrawer cavity if situated on the left-hand side of the cavity and within 33" (840 mm) if situated on the right-hand side of the cavity.
- The services hole in the refrigerator cavity needs to be large enough for the power supply plug to fit through.

Important safety precautions!

- Installation of the CoolDrawer requires competent mechanical and electrical skills.
- Be sure to leave these Instructions with the Customer.
- Installation must comply with your local building and electricity regulations.
- At the completion of the CoolDrawer installation, the Installer must perform the Final Check List.
- Remove all packaging materials supplied with the CoolDrawer.
- The CoolDrawer is manufactured for indoor use only.

② PRODUCT DIMENSIONS

Installation diagrams for illustration purposes only



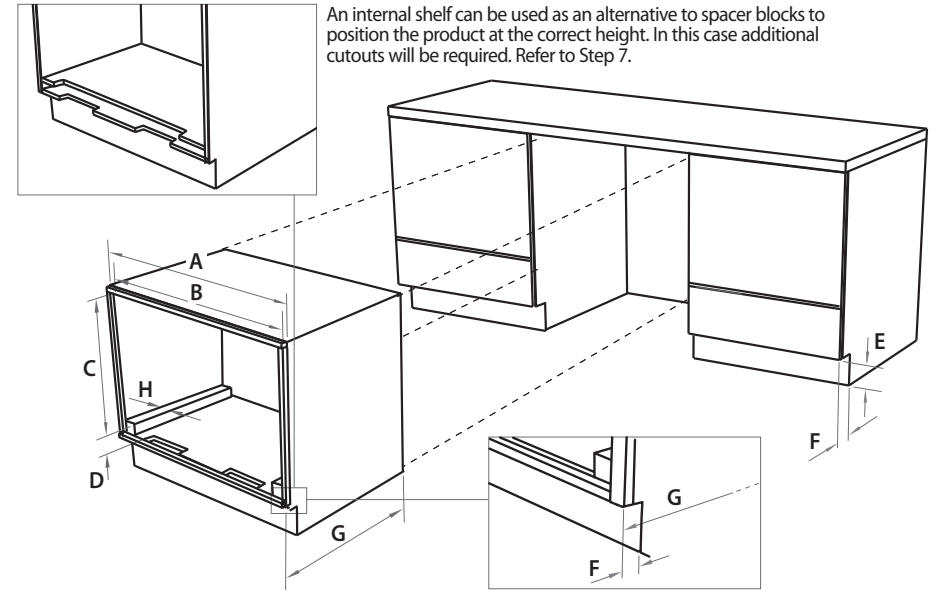
Product dimensions (inches [mm])

CoolDrawer
RB36S
RB90S

A	overall height of product (inc. installation brackets)	25 ³ / ₁₆ " (640)
B	overall width of product	33 ¹¹ / ₁₆ " (855)
C	overall depth of product (excl. drawer panel; inc. power cord)	21 ¹⁵ / ₁₆ " (557)
D	depth of drawer (open) (excl. handle)	20 ¹ / ₂ " (520)

③ CABINETY DIMENSIONS

Installation diagrams for illustration purposes only



Cabinetry dimensions (inches [mm])

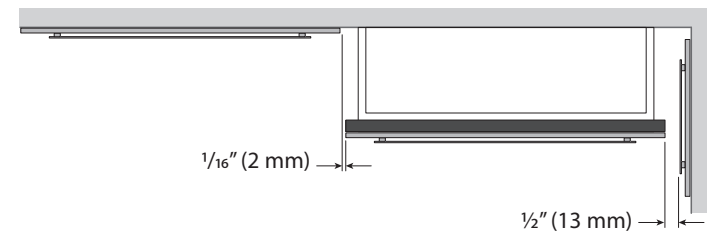
CoolDrawer
RB36S
RB90S

A	overall width of cabinetry frame	36" (914)
B	minimum inside width of cabinetry frame	34" (864)
C	height from frame inner face to top of spacer block	25 ³ / ₈ " (644)
D	height below top of spacer block to frame inner* (to allow for outlet duct height)	max. 4 ³ / ₄ " (120) min. ⁷ / ₈ " (21)
E	minimum height of toe kick	3" (75)
F	minimum depth** of toe kick	1 ⁵ / ₈ " (40)
G	minimum distance from front of cabinetry to rear wall	22 ¹ / ₁₆ " (560)
H	width of spacer blocks	1 ¹⁵ / ₁₆ " (50)

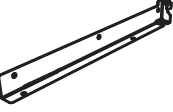



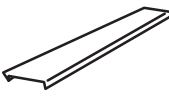

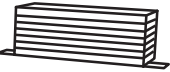



*Minimum internal height of cabinetry frame can be 25 ³/₈" (644mm) if outlet duct is not used.

**All depth measurements are taken from the front face of the cabinetry frame (not drawer panel)

Minimum clearances (inches [mm])



④ PARTS SUPPLIED

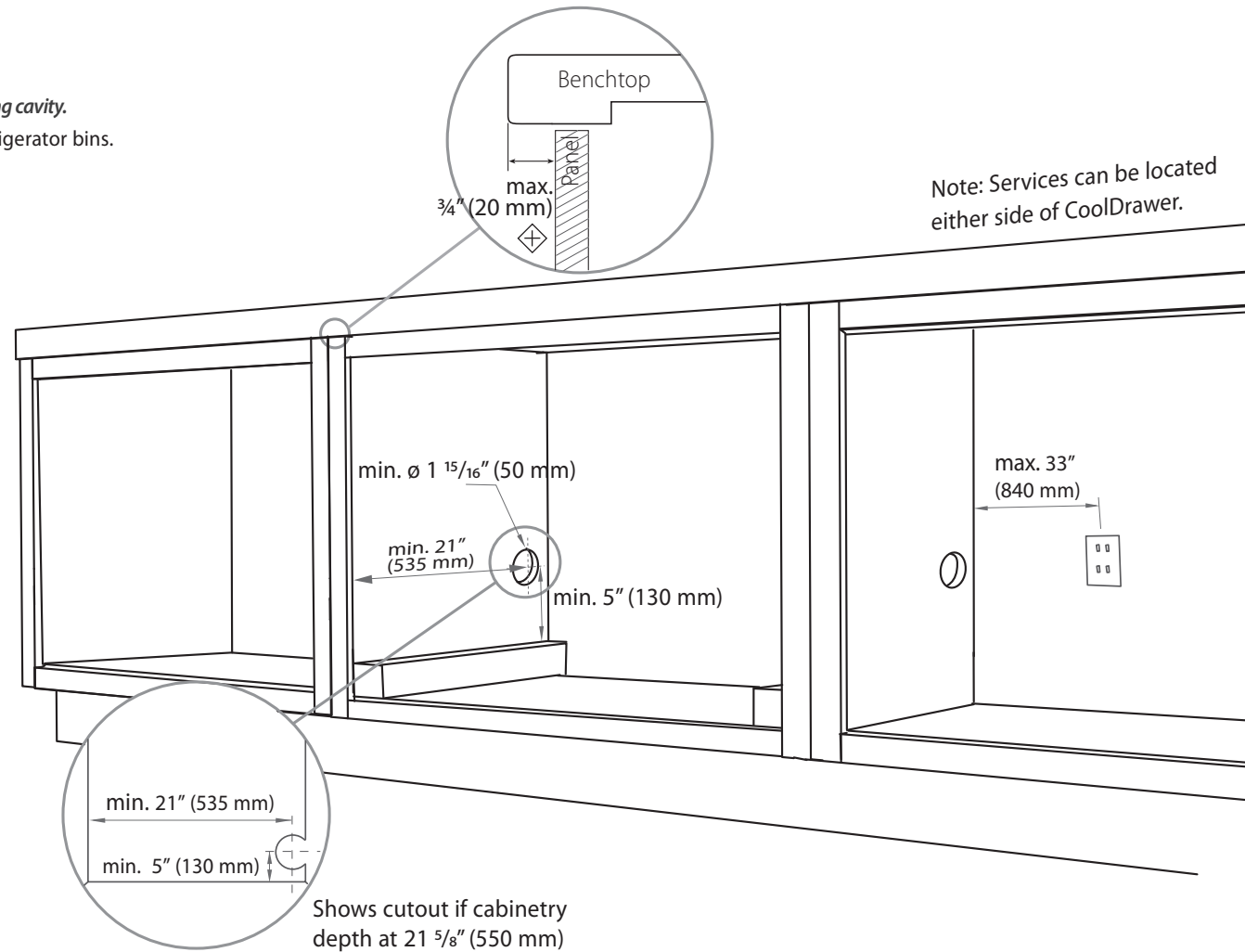
									
Installation brackets (left-hand and right-hand side) (2)	Phillips 16 mm (5/8") wood screw (6)	Trim brackets (4)	Pan Head 16 mm (5/8") screw (12)	Installation trims (2)	Power cord (1)	Outlet duct (1)	Pan Head 16 mm (5/8") screw (2)	Drawer Panel attachment hooks (3)	Phillips 16 mm (5/8") wood screws (6)

⑤ CAVITY PREPARATION

Important!

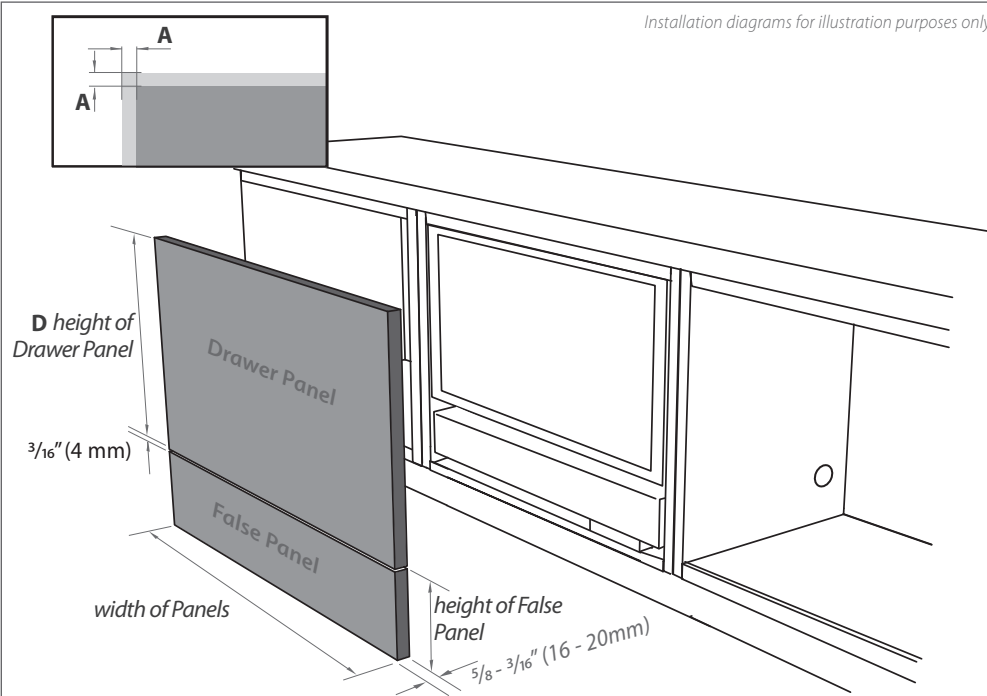
Disconnect power to surrounding appliances before preparing cavity.

⚡ Recommended to allow the vertical removal of the refrigerator bins.

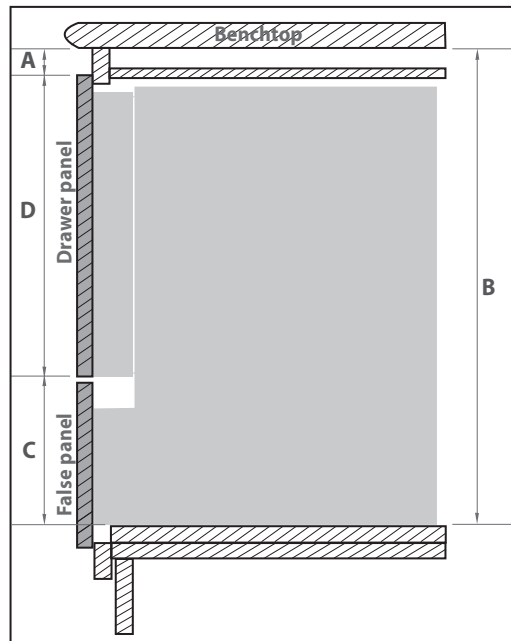


6 PANEL PREPARATION

Installation diagrams for illustration purposes only



SIDE VIEW



Integrated Panel material

- $5/8 - 13/16$ " (16 - 20 mm) panel thickness ($3/4$ " [18 mm] recommended).
- Maximum weight of 15.5 lb (7 kg).
- Adequately sealed to withstand moisture (122°F/50°C @ 80% RH)

Height of Drawer Panel

- The following information is required to correctly define your drawer panel height:

Dimension

- A Reveal dimension
- B Height between top of spacer block and underside of benchtop
- C Bottom face of Drawer panel to top of spacer block
- D Drawer panel height

Data Source

- Your kitchen designer
- Your kitchen designer
- Your kitchen designer
(Min. 6" [152 mm])
(Max. 7 $1/4$ " [184 mm])
- Calculated from A, B & C

To calculate D complete the following equation:

$$D = B - A - C$$

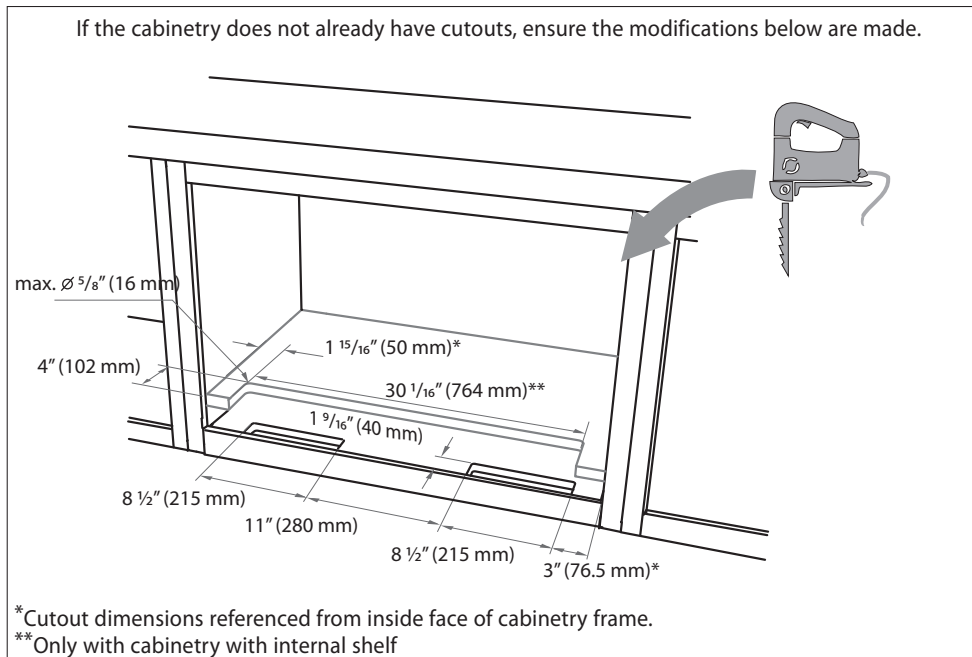
i.e. For the F&P prefinished panel with a $1/4$ " (6 mm) reveal:
 $18 \ 3/4$ " (476 mm) = $26 \ 1/4$ " (666 mm) - $1/4$ " (6 mm) - $7 \ 1/4$ " (184 mm)

Height of the False Panel

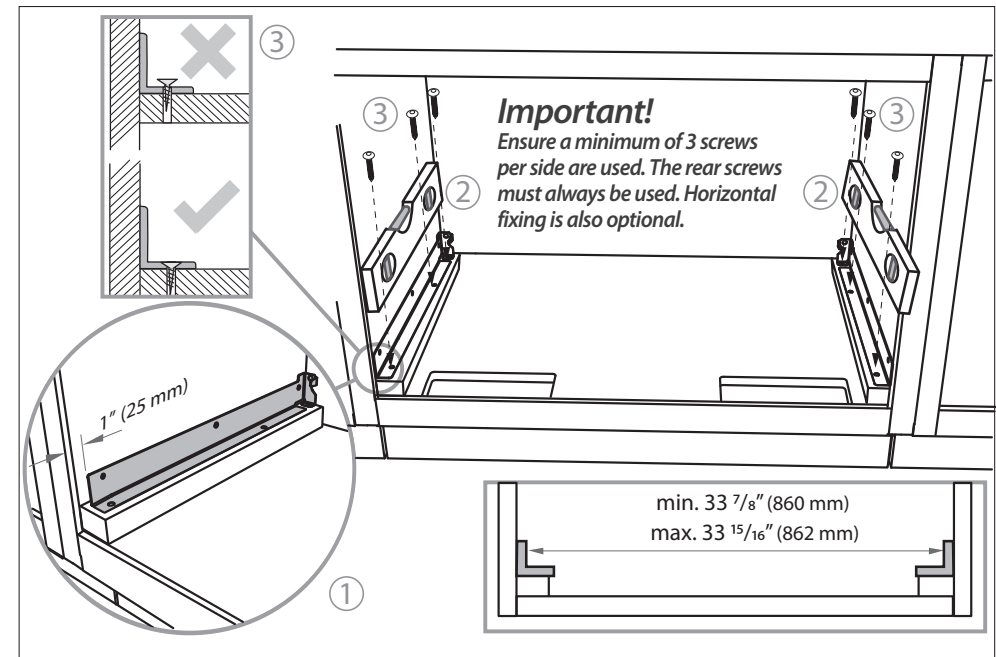
- Determine the height of the false panel according to your individual kitchen cabinetry requirements maintaining a $3/16$ " (4 mm) gap between panels.

F&P prefinish panel width is $35 \ 1/4$ " (896 mm)
F&P prefinish panel height (D) is $18 \ 3/4$ " (476 mm)

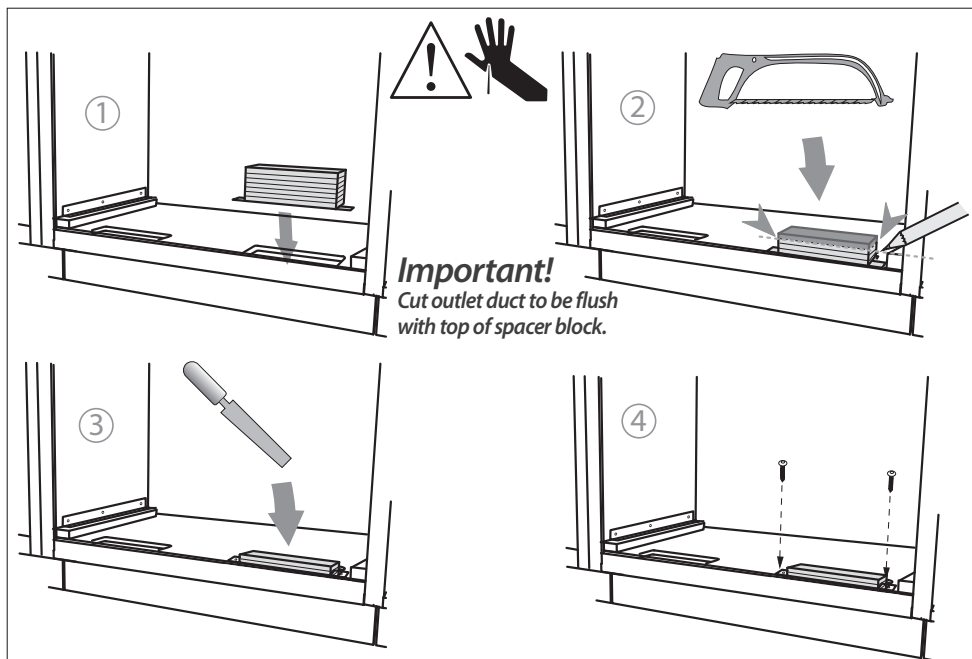
7 CREATE CUTOUTS IN FRAME



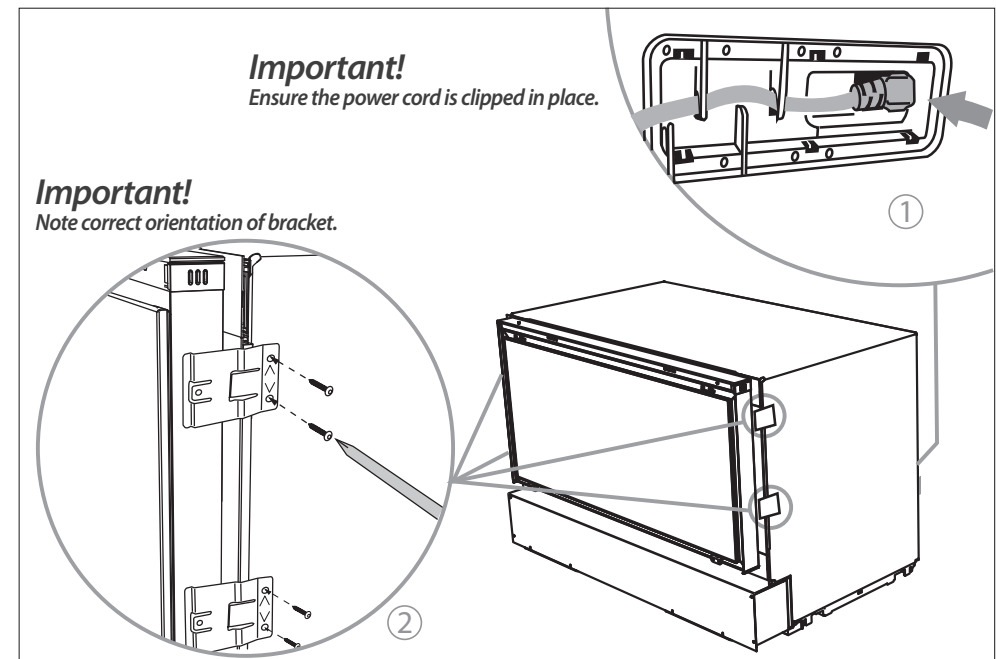
8 LOCATE & SECURE INSTALL BRACKETS



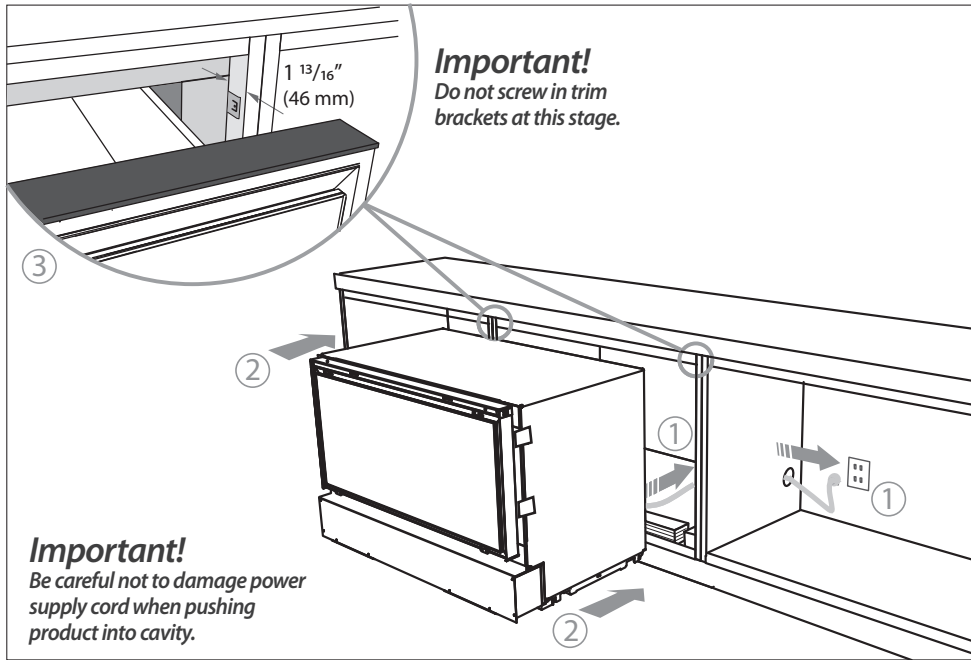
9 ATTACH OUTLET VENT DUCT



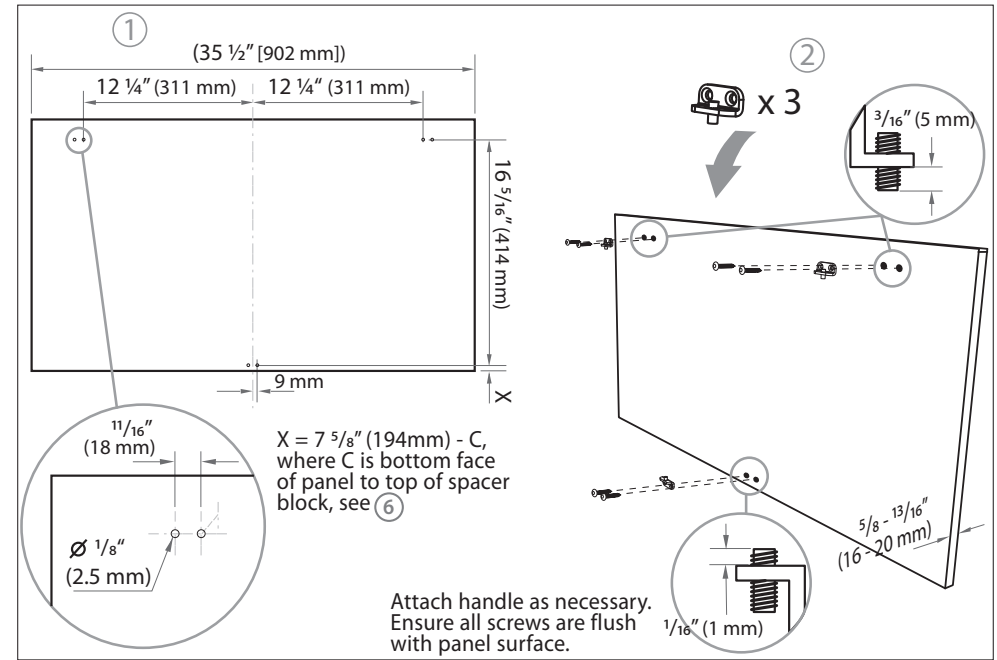
10 ATTACH POWER CORD & TRIM BRACKETS



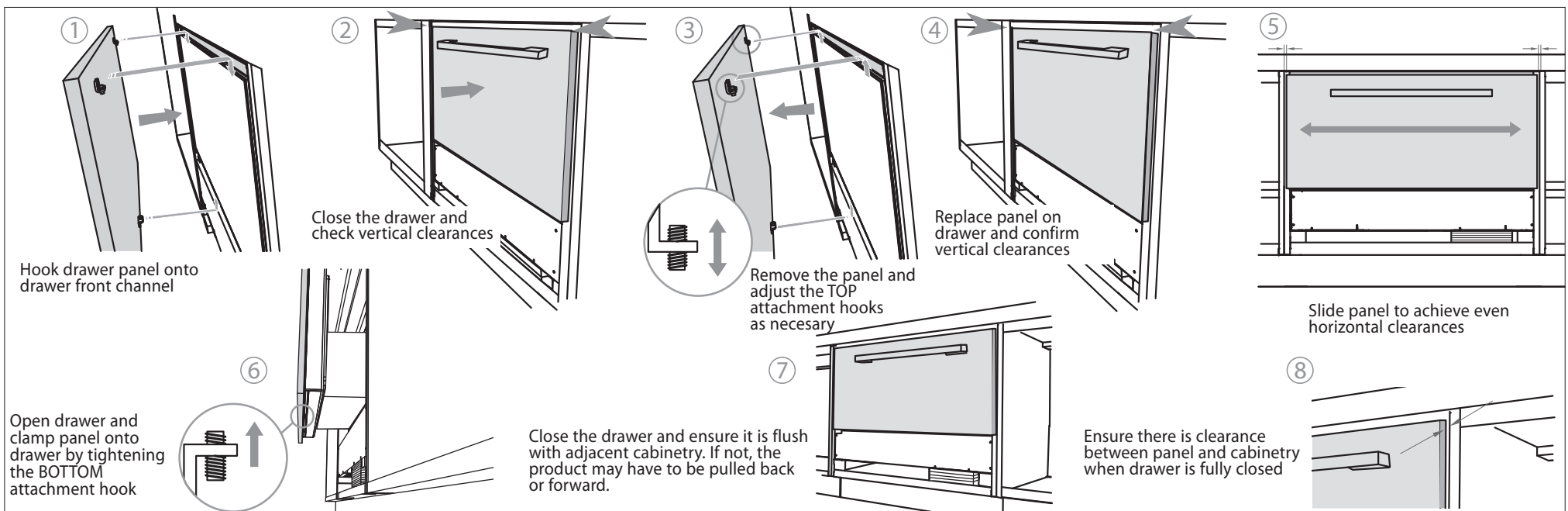
11 MOVE PRODUCT INTO CAVITY



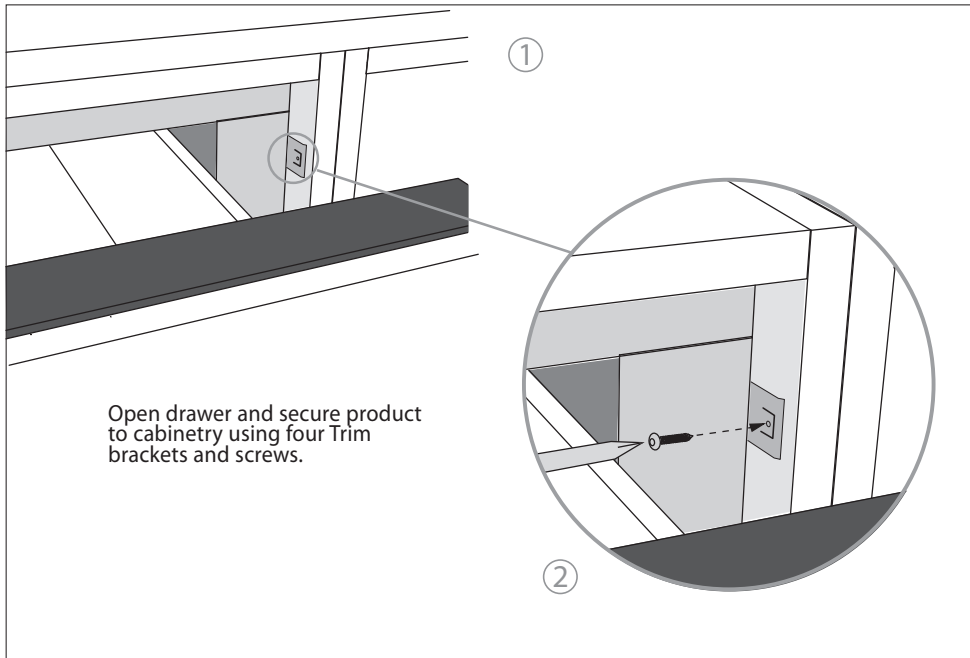
12 FIT DRAWER PANEL ATTACHMENT HOOKS



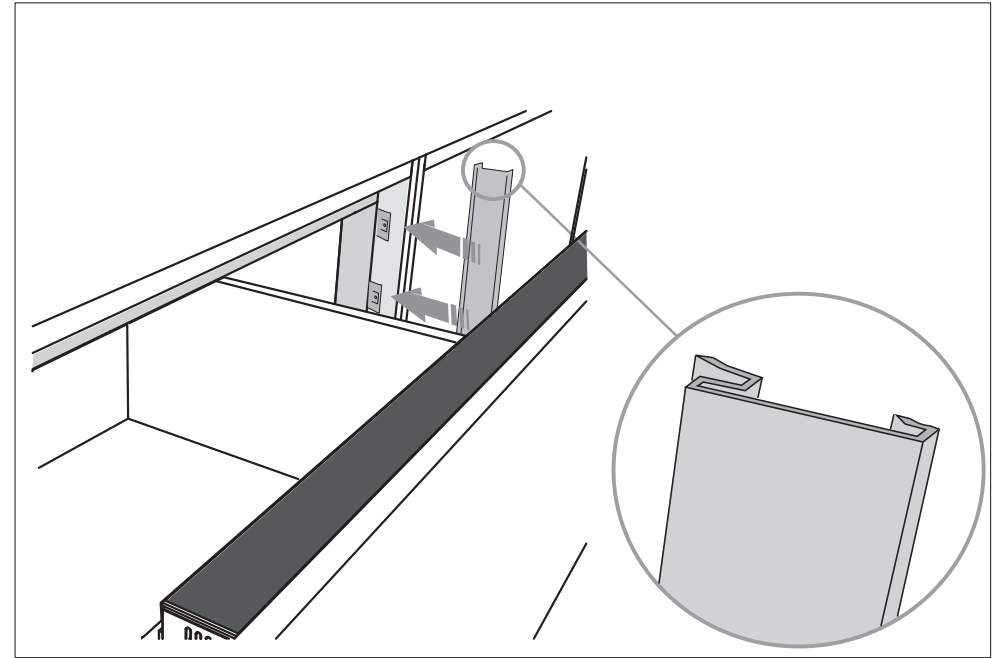
13 ATTACH DRAWER PANEL TO FRONT OF DRAWER



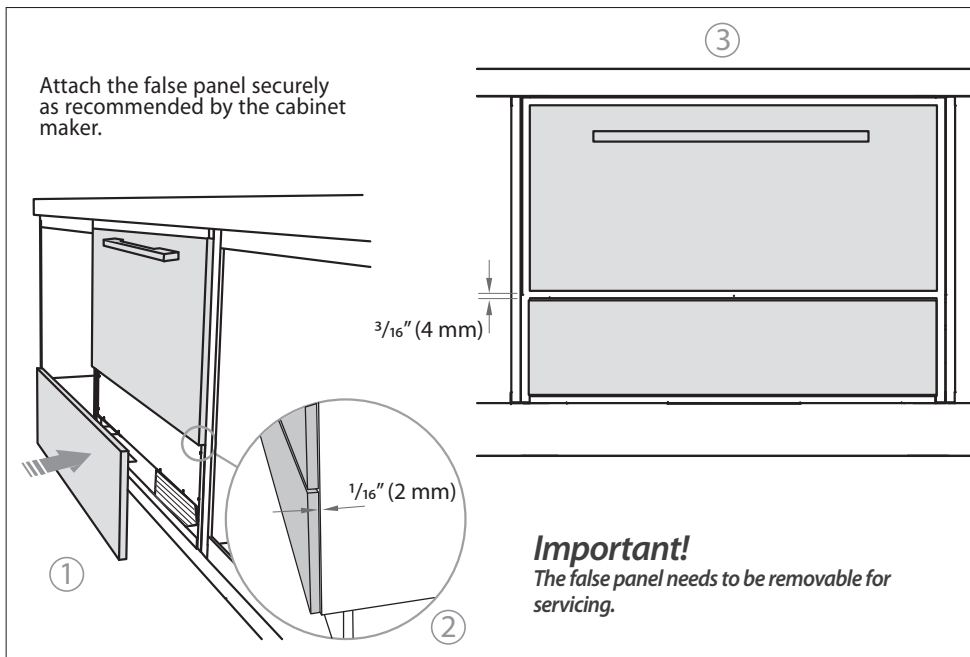
14 SECURE PRODUCT TO CABINETRY



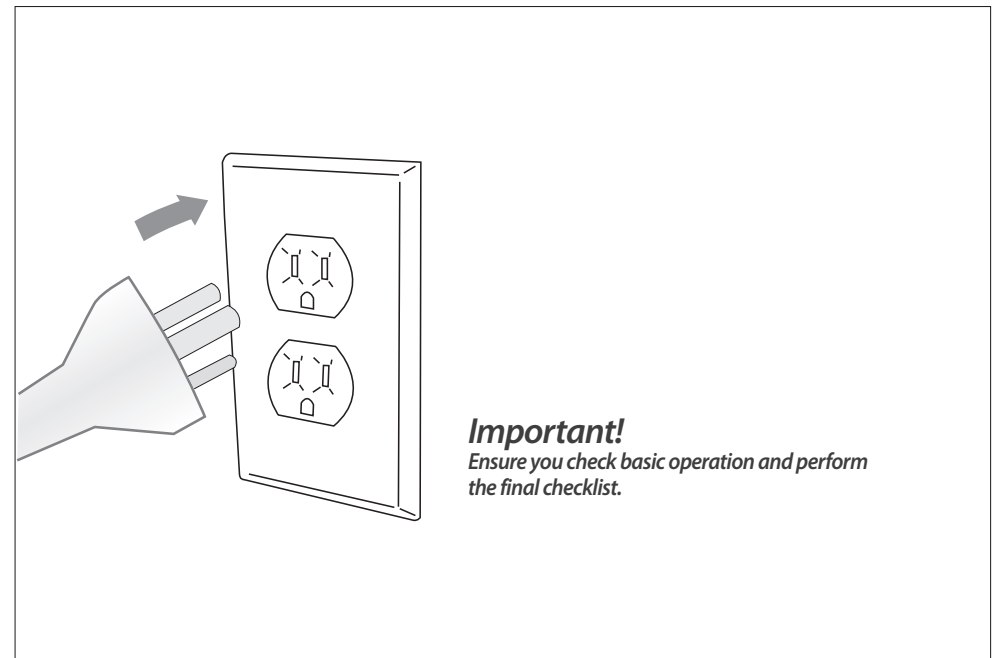
15 ATTACH TRIMS TO SIDES OF CABINETRY



16 ATTACH FALSE PANEL



17 CHECK OPERATION



18 FINAL CHECKLIST

TO BE COMPLETED BY THE INSTALLER



- Has all packaging been removed from the appliance?
- Is the appliance securely fastened to the cabinetry?
- Does the drawer slide freely and close properly?
- Has the outlet duct been installed correctly?
- Is the appliance level?
- Are the panels securely attached?
- Have the panels been properly aligned for correct operation and appearance? Are all clearances even?
- Is there clearance between drawer and cabinetry frame?
- Has the power cord been plugged into a properly grounded 3-prong outlet, which has been installed in accordance with all applicable electrical codes?

OPERATION:

- Is the control panel lit?
- Can you hear the compressor motor running?
- When a hand is placed near the toe kick, can airflow be felt under front right-hand side of appliance?
- Have you demonstrated the basic operation to the customer?

Installer's name: _____

Installer's signature: _____

Installation company: _____

Date of installation: _____

LEAVE THESE INSTRUCTIONS WITH THE CUSTOMER