

RF28HMEDBSR

28 cu. ft. 4-Door Refrigerator with Counter-Height FlexZone™ Drawer

Features

- First to meet 2014 Federal Energy Standards
- Large Capacity – 28 cu. ft.
- FlexZone™ Drawer with 4 Temperature Control Settings and Smart Divider
- Twin Cooling Plus™
- Ice Master Ice Maker in the Refrigerator
- Premium External Filtered Water and Ice Dispenser
- High-Efficiency Top and Side LED Lighting
- Adjustable Shelf for Tall Oversized Items
- Stainless Steel Accents on Interior Shelving and Door Bins
- EZ-Open Handle™ on Freezer Door and FlexZone™ Drawer
- Two Humidity-Controlled Crispers
- Tempered Glass Spill-Proof Shelves
- Gallon Door Bins
- Auto Pull-Out Upper Freezer Drawer
- Easy-to-Access Water Filter

Convenience

- Cool Tight Door
- Water Filter Indicator
- Door Alarm



ENERGY STAR® rated:
722 kWh/yr



Ice Master



FlexZone™ Drawer

Available Colors



Stainless Steel
(shown)



White



Black

Signature Features

KEEPS YOUR FOOD AND FAMILY ORGANIZED

- Adjustable Smart Divider creates four flexible-size compartments.
- Four settings from Chill to Soft Freeze: meats at 29°F, cold drinks at 33°F, deli/snacks at 37°F, and party dishes at 42°F.
- Easy access for kids with counter-height drawer.

TWIN COOLING PLUS™

- Keeps food fresher longer – Twin Cooling Plus™ humidity levels up to 3.6x higher than single cooling.
- Refrigerator air is kept at higher, near commercial grade humidity levels to keep perishable fruits and vegetables fresher longer.
- Drier freezer air means less freezer burn for better-tasting frozen foods.

ICE MASTER

- Produces 10 lbs. of ice per day and stores 4.2 lbs.
- Space-saving design leaves more room in the refrigerator.



Ranked **“Highest in Customer Satisfaction with Refrigerators”**
by J.D. Power and Associates.

SAMSUNG

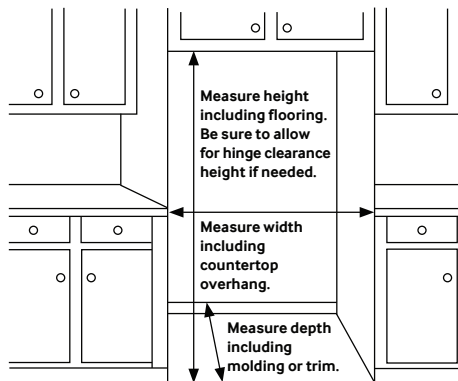
RF28HMEDBSR

28 cu. ft. 4-Door Refrigerator with Counter-Height FlexZone™ Drawer

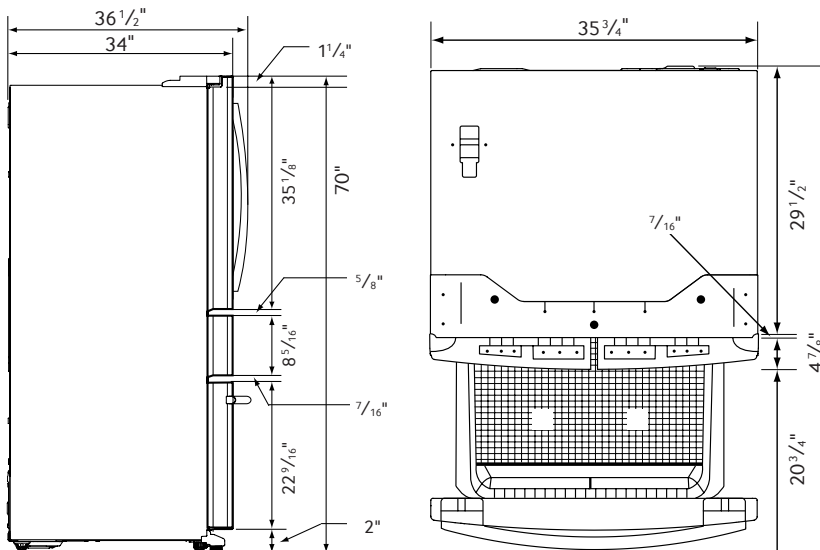
Installing Your Refrigerator

1. Measure the height, width and depth of the opening, making sure to include baseboards, molding tile, countertop overhang, etc. Check to be sure there is enough room to open the door (consider walls, islands or other obstacles when measuring).
2. Refer to illustration below to determine dimensions.
3. Allow 2" of clearance on hinge side of refrigerator when installing next to a wall where handle may make contact.
4. Allow 1" minimum clearance at rear for proper air circulation and water/electrical connections. Allow a 3/8" minimum clearance at sides and top for ease of installation.
5. Ensure each door and entry way in the home is wide enough for the refrigerator to be moved through easily.

Please note: The following dimension and cutout information is for planning purposes only. For complete installation details consult manual packed with product, or download manual on-line at samsung.com.



Dimensions



Total Capacity: 28.15 cu. ft.

Refrigerator: 15.98 cu. ft.

- Premium External Filtered Water and Ice Dispenser – Crushed or Cubed Ice
- Ice Master Ice Maker
- 2 Humidity-Controlled Crispers
- 5 Tempered Glass Spill-Proof Shelves
- Adjustable Shelf for Tall oversized Items
- 6 Clear Door Bins
 - Right Door: 3 Gallon Bins
 - Left Door: 3 Regular Bins
- High-Efficiency Top and Side LED Lighting

FlexZone Drawer: 3.82 cu. ft.

- EZ-Open Handle™
- 4 Temperature Settings with Smart Divider:
 - Meat/Fish (29°F)
 - Cold Drinks (33°F)
 - Deli/Snacks (37°F)
 - Wine/Party Dishes (42°F)

Freezer: 8.35 cu. ft.

- EZ-Open Handle
- 1 Drawer Divider
- High-Efficiency LED Lighting

Accessories

Water Filter: HAF-CIN

Warranty

One (1) Year All Parts and Labor
Five (5) Years Sealed System Parts and Labor
Ten (10) Years Compressor Parts Only

Product Dimensions & Weight

Dimensions (WxHxD with hinges, handles and doors):
35 3/4" x 70" x 36 1/2"

Dimensions (WxHxD without hinges and door):
35 3/4" x 68 7/8" x 29 1/2"

Dimensions (WxHxD with hinge and door, no handle):
35 3/4" x 70" x 34"

Weight: 374 lbs.

Shipping Dimensions & Weight (WxHxD)

Dimensions: 38 1/4" x 76 5/8" x 36 7/8"

Weight: 402 lbs.

Color	Model #	UPC Code
Stainless Steel	RF28HMEDBSR	887276966052
White	RF28HMEDBWW	887276967653
Black	RF28HMEDBBC	887276967585

SAMSUNG

Samsung received the highest numerical score for refrigerators in the proprietary J.D. Power and Associates 2012 Kitchen Appliance Study.SM Study based on 12,615 total responses measuring 17 brands and measures opinions of consumers about their refrigerator obtained new in the past 24 months. Proprietary study results are based on experiences and perceptions of consumers surveyed in January-February 2012. Your experiences may vary. Visit jdpower.com.

Actual color may vary. Design, specifications, and color availability are subject to change without notice. Non-metric weights and measurements are approximate.

©2013 Samsung Electronics America, Inc. 85 Challenger Road, Ridgefield Park, NJ 07660. Tel: 800-SAMSUNG. samsung.com. Samsung is a registered trademark of Samsung Electronics Co. Ltd.