

# ME21H9900AS

OTR MICROWAVE

## CHEF COLLECTION

Our premium Chef Collection line is designed by Master Chefs with the sophisticated cook in mind. Every appliance in the collection has been tested and approved by Michelin Star chefs to build the best kitchen possible.

### FEATURES

- 2.1 cu. ft. Capacity
- 1000 W of cooking power, with sensor cooking to heat food the correct amount of time
- LED Cooktop Light
- Ceramic Enamel Interior
- Pro-Clean Filter
- Eco Mode (reduces standby power)
- Cooking Control: 10 power levels including defrost and sensor cook options
- Rotating Glass Turntable
- Glass Touch Bottom Controls
- 2-Line LCD Display
- 430 CFM Ventilation System

### CONVENIENCE

- Kitchen Timer
- Clock (12hr/24hr) with Daylight Saving Time Adjustment
- Child Safety Lock
- Reminder End Signal
- Auto Night Light



Pro-Clean Filter



Ceramic Enamel Interior

### Available Color



Stainless Steel

### SIGNATURE FEATURES

#### PRECISE TOUCH CONTROL WITH A PREMIUM LOOK

- Convenient location makes it easy to access cooking options.
- Glass control panel provides a seamless, integrated design.
- Design elements match (but are not limited to) the slide-in electric ranges.

#### PRO-CLEAN FILTER

- Easy access filter.
- Commercial grade premium filter captures 56% more oil than traditional OTR filters.\*
- Cook without worrying about smoke and odors.
- Easily remove and clean your filter with one touch.
- Regular cleaning is necessary to maintain optimal performance.

\*Compared to a Samsung ME16H702 filter.

#### SCRATCH RESISTANT, AND EASY TO CLEAN

- Durable ceramic enamel interior provides a polished surface that's easy to maintain.
- Effortlessly remove grease or oil from surfaces.
- Protects against scratches that occur from daily use.

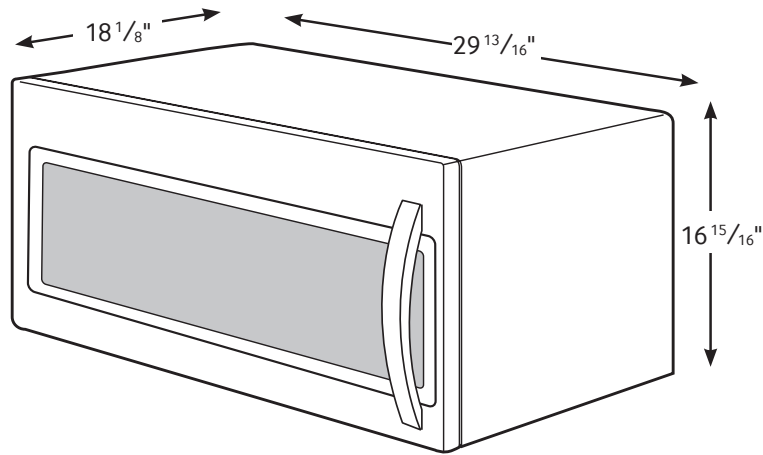
#### 430 CFM VENTILATION SYSTEM

- Samsung's powerful ventilation system quickly and quietly eliminates any food odors.

# ME21H9900AS

OTR MICROWAVE

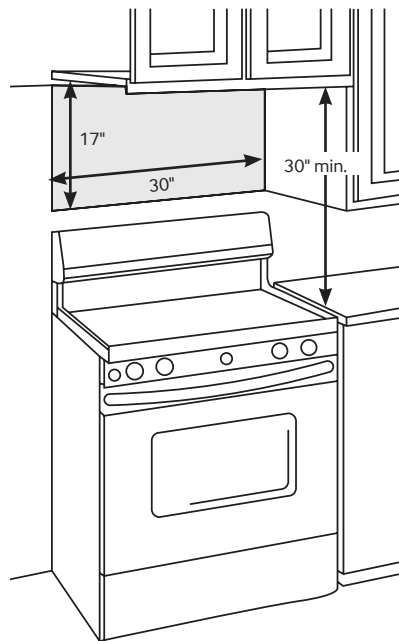
## INSTALLING YOUR MOCROWAVE



This microwave oven is designed for adaptation to the following three types of ventilation:

- A. Outside Top Exhaust (Vertical Duct)
- B. Recirculating (Non-Vented Ductless)
- C. Outside Back Exhaust (Horizontal Duct)

- The space between the cabinets must be 30" wide and free of obstructions.
- This microwave oven is for installation over ranges up to 36" wide.
- The Microwave must be level. Use a level to make sure the cabinet bottom is level. If the cabinets have a front overhang only, with no back or side frame, install the mounting plate down the same distance as the front overhang depth. This will keep the microwave level. depth of the front overhang.



### Capacity

2.1 cu. ft.

### Power Output

1000 W

### Power Consumption

1700 W / 14.5 A

### Power Source

120 V / 60Hz

### Vent Fan

430 CFM

### Warranty

One (1) Year All Parts and Labor  
Ten (10) Years Parts on Magnetron

### Product Dimensions & Weight (WxHxD)

Outside Dimensions:

29 13/16" x 16 15/16" x 18 1/8"

Interior Cavity Dimensions:

22 1/8" x 10 13/16" x 14 13/16"

Weight: 58 lbs.

### Shipping Dimensions & Weight (WxHxD)

Dimensions: 33 3/8" x 19 7/16" x 20 13/16"

Weight: 65 lbs.

### Color

Stainless Steel

### Model #

ME21H9900AS

### UPC Code

887276970493

FOR EASIER INSTALLATION AND PERSONAL SAFETY, WE RECOMMEND THAT TWO PEOPLE INSTALL THIS MICROWAVE OVEN.

IMPORTANT: Do not grip or use handle during installation.

NOTE: If your cabinet is metal, use the nylon grommet around the power cord hole to prevent cutting of the cord.

NOTE: We recommend using filler blocks if the cabinet front hangs below the cabinet bottom shelf.

IMPORTANT: If filler blocks are not used, case damage may occur from over tightening screws.

NOTE: When mounting the microwave oven, thread power cord through hole in bottom of top cabinet.

Do not pinch cord or lift oven by pulling cord.