

FAUCET DESCRIPTION

- Solid brass body with chrome plated or Lifeshine® polished brass finish.
- Elegant styling
- 4" centerset

OPERATION

- Adjustable infrared sensor (range, turn off delay and obstruction delay)
- Temperature controlled by mixing valve or mixing tee (optional)
- Battery powered (AC optional)

FLOW

- Supplied with vandal resistant 0.5 gpm (1.9 L/min) aerator (with key)

VALVES

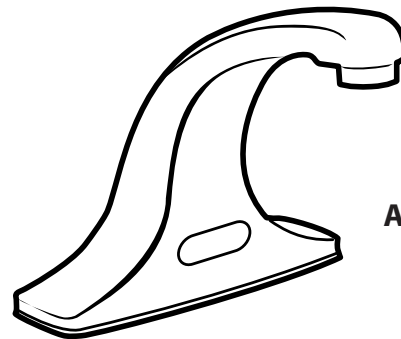
- In-line filter included
- Slow close solenoid valve

STANDARDS

- Third party certified by IAPMO and CSA to meet ASME A112.18.1M and all applicable specifications referenced therein and complies with the requirements of ANSI A117.1

WARRANTY

- 5 year warranty

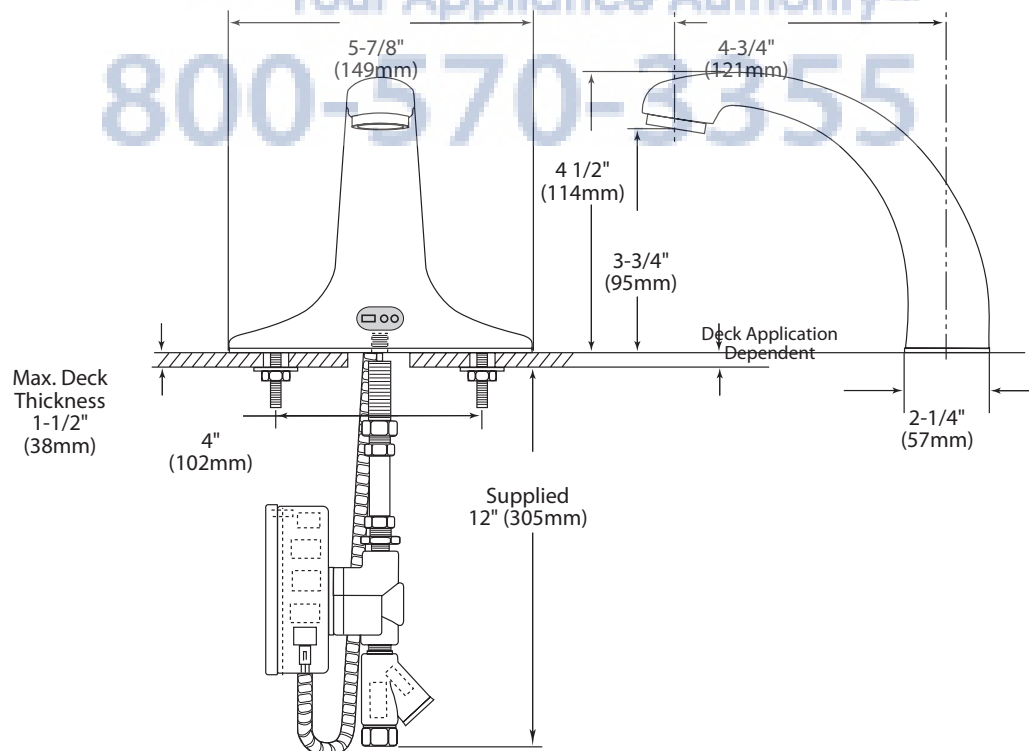


Deck-Mount (4" Center), Non-Mixing, Battery Powered Electronic Faucet

Models: 8301, 8301P*

* Discontinued

NOTE: DESIGNED TO BE INSTALLED THROUGH 3 HOLES 1" MIN. DIA. 2" ON CENTER



CRITICAL DIMENSIONS

(DO NOT SCALE)