



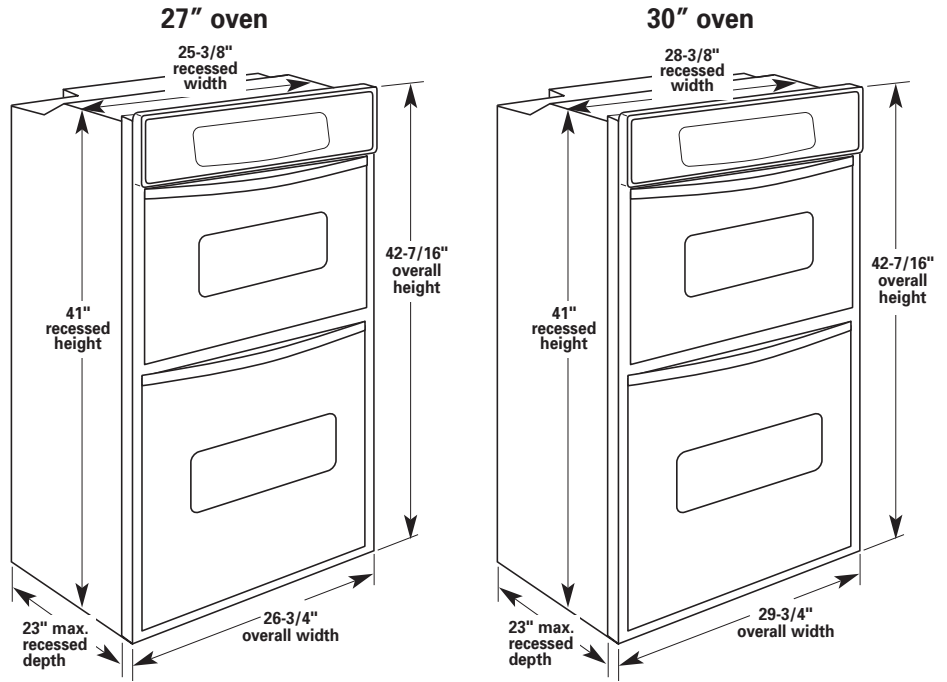
# 27" and 30" Electric Built-In Microwave/Oven Combination

## PRODUCT MODEL NUMBERS

GMC305PD      GSC308PJ  
 GSC278PJ      GMC275PD

**Electrical:** A three-wire or four-wire, single phase, 240-volt, 60-Hz, AC-only electrical supply is required. Models rated from 7.3 to 9.6 kW at 240 volts (5.5 to 7.2 kW at 208 volts) require a separate 40-ampere circuit, fused on both sides of the line. Models rated at 7.2 kW and below at 240 volts (5.4 kW and below at 208 volts) require a separate 30-ampere circuit, fused on both sides of the line. Use minimum 8 gauge copper wire only. A time-delay fuse or circuit breaker is recommended. A U.L.-listed conduit connector must be provided at the junction box.

## OVERALL DIMENSIONS



## CABINET OPENING DIMENSIONS

