

### FAUCET DESCRIPTION

- Brass construction with chrome plated finish
- 1/2" IPS connections
- 8" centers
- Vandal resistant torx head screws

### OPERATION

- Lever style handles with hot and cold color indicators

### CARTRIDGE

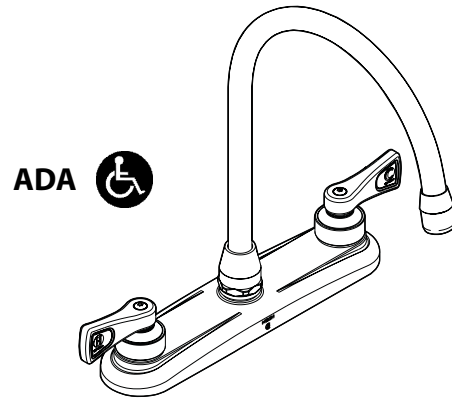
- Brass shell, ceramic disc cartridge
- 1/4 turn operation

### STANDARDS

- Third party certified to meet CSA B-125, ASME A112.18.1M, ANSI A117.1 and all applicable specifications referenced therein
- Certified to ANSI/NSF 61/9
- Complies with California Proposition 65 and with the Federal Safe Drinking Water Act

### WARRANTY

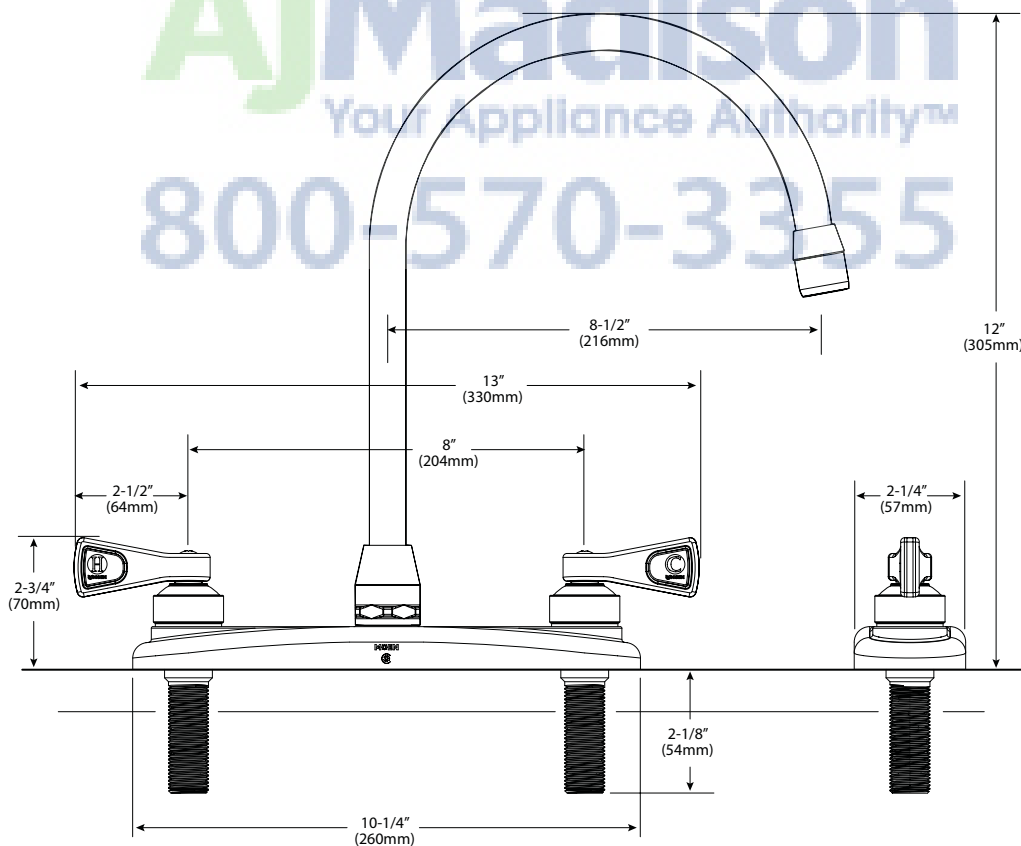
- Warranted for five years against material or manufacturing defects



## Two-Handle Kitchen Faucet

**Model:** 8287

**NOTE:** Designed to be installed through 2 or 3 holes - 1" min. dia. and on 8" on center



### CRITICAL DIMENSIONS

(DO NOT SCALE)