



# Electric Built-in Cooktop

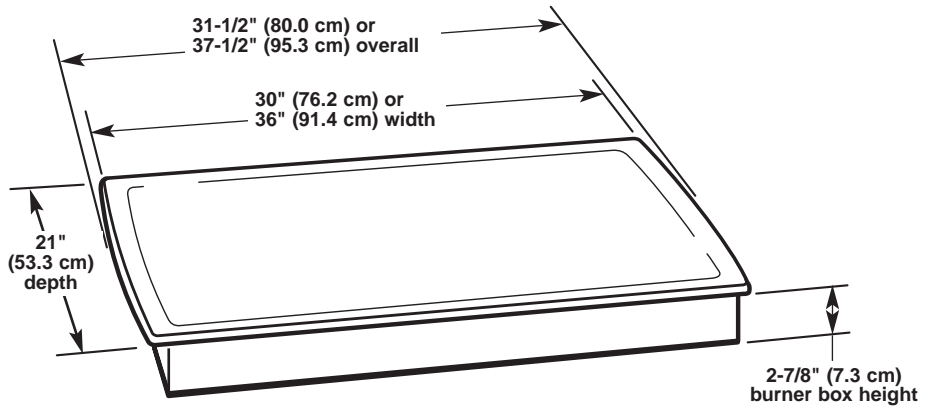
## PRODUCT MODEL NUMBERS

RCS3004L  
RCS3014L  
RCS3614L

### Electrical:

**240-volt cooktop:** A three-wire or four-wire, single phase, 240-volt, 60-Hz, AC-only electrical supply is required on a separate, 40-ampere circuit, 8-gauge wire, fused on both sides of the line. Use copper wire only. A time-delay fuse or circuit breaker is recommended.

## OVERALL DIMENSIONS



## CABINET OPENING DIMENSIONS

\* Note: 24" (61 cm) min. clearance if bottom of wood or metal cabinet is protected by not less than 1/4" (0.6 cm) flame retardant millboard covered with not less than No. 28 MSG sheet steel, 0.015" (0.04 cm) stainless steel, or 0.024" (0.06 cm) aluminum or 0.020" (0.05 cm) copper.

30" (76.2 cm) min. clearance between top of cooking platform and bottom of unprotected wood or metal cabinet.

Illustration dimensions			
Cooktop width	A	B	C
21" (53.3 cm)	18-5/8" (47.4 cm)	15-1/2" (34.4 cm)	21" (53.3 cm)
30" (76.2 cm)	28-7/8" (73.3 cm)	18-5/8" (47.4 cm)	30" (76.2 cm)
36" (91.4 cm)	35" (89 cm)	18-5/8" (47.4 cm)	36" (91.4 cm)

Important note on base cabinet construction: After making the countertop cutout, some installations may require notching down the base cabinet side walls to clear the burner box. To avoid this modification, use a base cabinet having sidewalls wider than the cutout.

**Note:** If cabinet has a drawer, a 4" (10.2 cm) depth clearance from the countertop to the top of the drawer (or other obstruction) in base cabinet is required.

