

## FAUCET DESCRIPTION

- Brass construction with chrome plated finish
- 1/2" IPS connections
- 8" widespread
- Vandal resistant torx head screws
- Vandal resistant aerator

## OPERATION

- Wrist blade handles with hot and cold color indicators

## FLOW

- Aerator is limited to 2.2 gpm max. (8.3 L/min)

## CARTRIDGE

- Brass shell, ceramic disc cartridge
- 1/4 turn operation

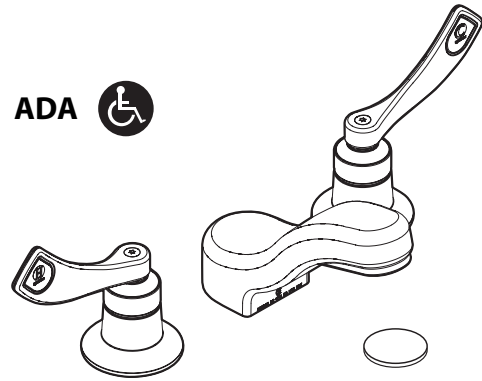
## STANDARDS

- Third party certified to meet CSA B-125, ASME A112.18.1M, ANSI A117.1 and all applicable specifications referenced therein
- Certified to ANSI/NSF 61/9
- Complies with California Proposition 65 and with the Federal Safe Drinking Water Act

## WARRANTY

- Warranted for five years against material or manufacturing defects

ADA 

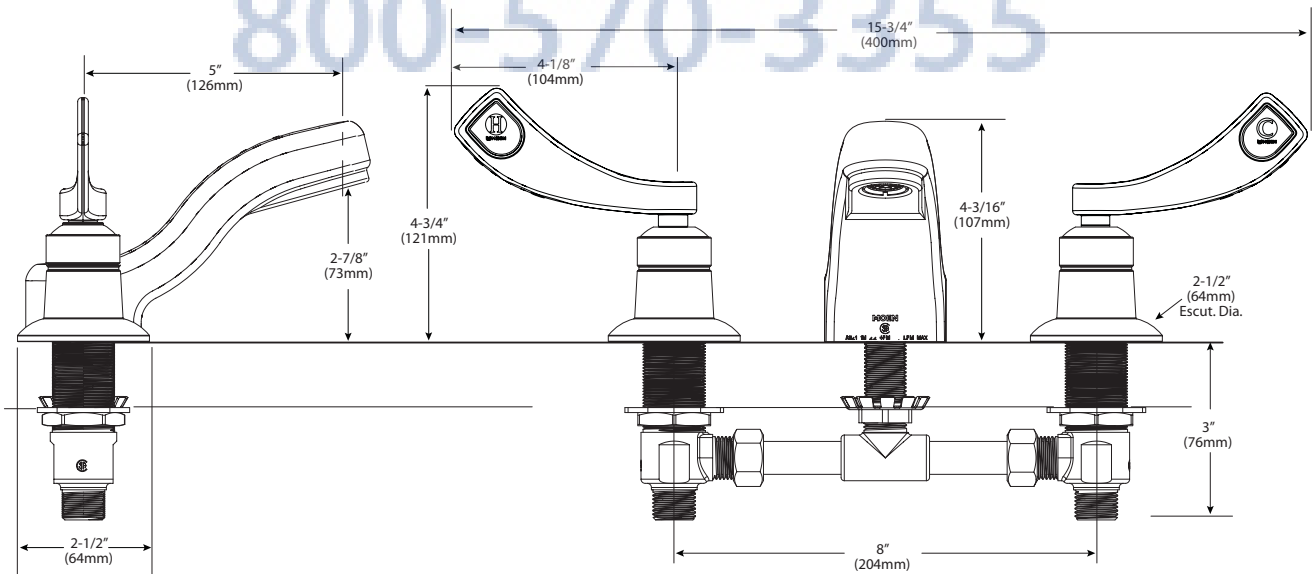


## Two-Handle Lavatory Faucet with Metal Waste Assembly

**Model:** 8239

**NOTE:** Designed to be installed through 3 holes - 1" min. dia.

AjMadison  
Your Appliance Authority™  
800-570-3355



## CRITICAL DIMENSIONS

(DO NOT SCALE)