

FAUCET DESCRIPTION

- Brass construction with chrome plated finish
- 1/2" IPS connections
- 8" widespread
- Vandal resistant torx head screws
- Vandal resistant aerator

OPERATION

- Lever style handles with hot and cold color indicators

FLOW

- Aerator is limited to 2.2 gpm max. (8.3 L/min)
- Aerator is limited to 0.5 gpm max. for model #8221

CARTRIDGE

- Brass shell, ceramic disc cartridge
- 1/4 turn operation

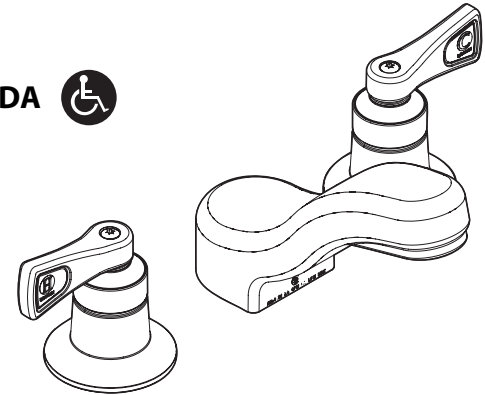
STANDARDS

- Third party certified to ASME A112.18.1/CSA B125.1, ICC A117.1 and all applicable specifications referenced therein
- Certified to ANSI/NSF 61/9
- Complies with California Proposition 65 and with the Federal Safe Drinking Water Act

WARRANTY

- Warranted for five years against material or manufacturing defects

ADA 



Two-Handle Lavatory Faucet

Models: 8220, 8221, 8223, 8224

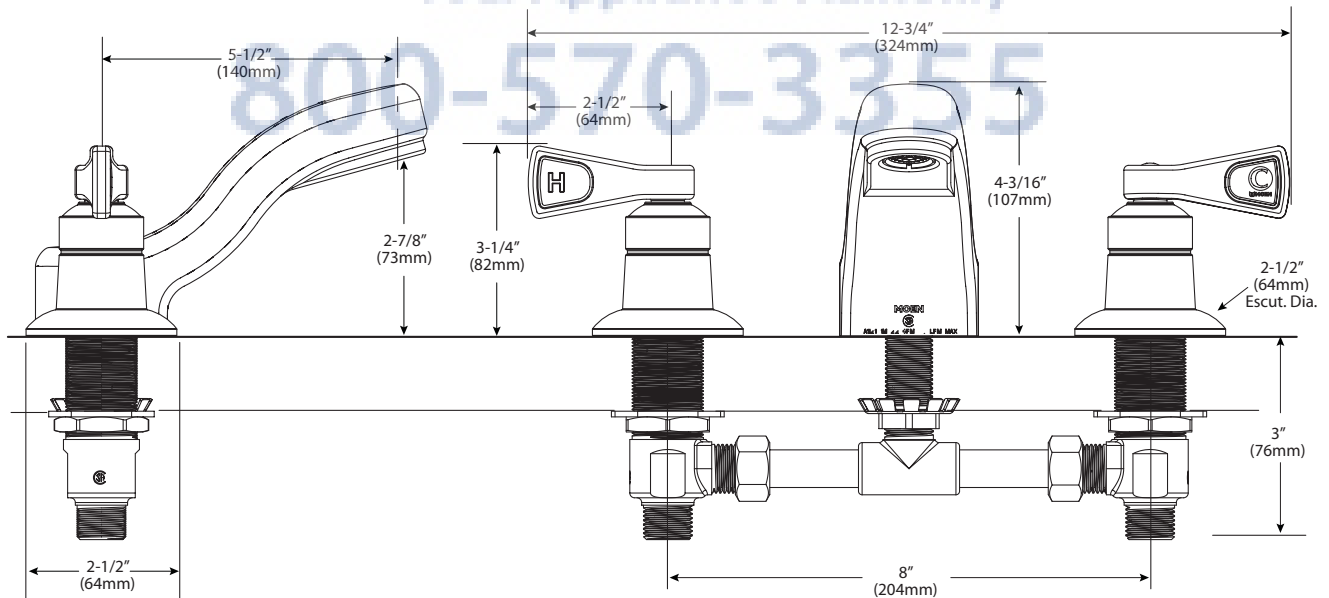
8220 is w/o waste 2.2gpm

8221 is w/o waste 0.5gpm

8223 with metal drain assembly

*8224 uses 14750 grid strainer

NOTE: Designed to be installed through 3 holes - 1" min. dia.



CRITICAL DIMENSIONS

(DO NOT SCALE)